



US00D491463S

(12) **United States Design Patent**
Zelina et al.

(10) **Patent No.:** **US D491,463 S**

(45) **Date of Patent:** **** Jun. 15, 2004**

(54) **EGG-SHAPED RIBBON DISPENSER
CARTON**

D263,680 S * 4/1982 Schroder D9/341
D385,780 S * 11/1997 Krupa et al. D9/341

(75) Inventors: **Karen Zelina**, Sagamore Hills, OH
(US); **Jennifer Lavelle**, Rocky River,
OH (US); **David Blinderman**,
Bratenahl, OH (US)

* cited by examiner

Primary Examiner—Philip S. Hyder
Assistant Examiner—Daniel Bui
(74) *Attorney, Agent, or Firm*—Roetzel & Andress

(73) Assignee: **American Greetings Corporation**,
Cleveland, OH (US)

(57) **CLAIM**

The ornamental design for an egg-shaped ribbon dispenser carton, as shown and described.

(**) Term: **14 Years**

DESCRIPTION

(21) Appl. No.: **29/188,464**

FIG. 1 is a perspective view of a first embodiment of the egg-shaped ribbon dispenser carton showing our new invention;
FIG. 2 is a front elevation view thereof;
FIG. 3 is a rear elevation view thereof;
FIG. 4 is a side elevation view thereof;
FIG. 5 is another side elevation view thereof;
FIG. 6 is a top view thereof;
FIG. 7 is a bottom view thereof;
FIG. 8 is a perspective view thereof;
FIG. 9 is a front view thereof;
FIG. 10 is a back view thereof;
FIG. 11 is a side view thereof;
FIG. 12 is a side view thereof;
FIG. 13 is a top view thereof; and,
FIG. 14 is a bottom view thereof.
The broken line showing of the environment is for illustrative purposes only and forms no part of the claimed design.

(22) Filed: **Aug. 18, 2003**

(51) **LOC (7) Cl.** **09-03**

(52) **U.S. Cl.** **D9/341**

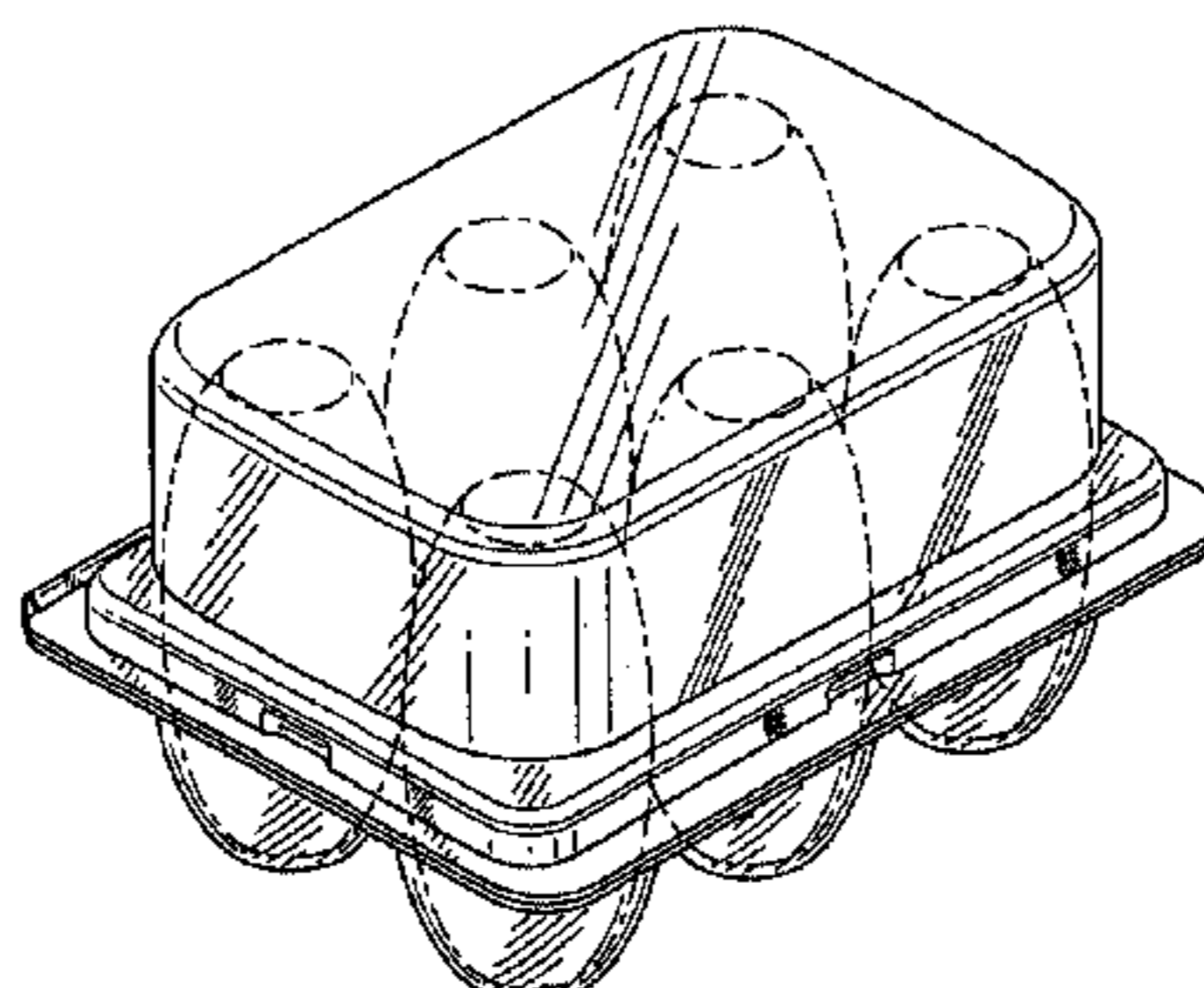
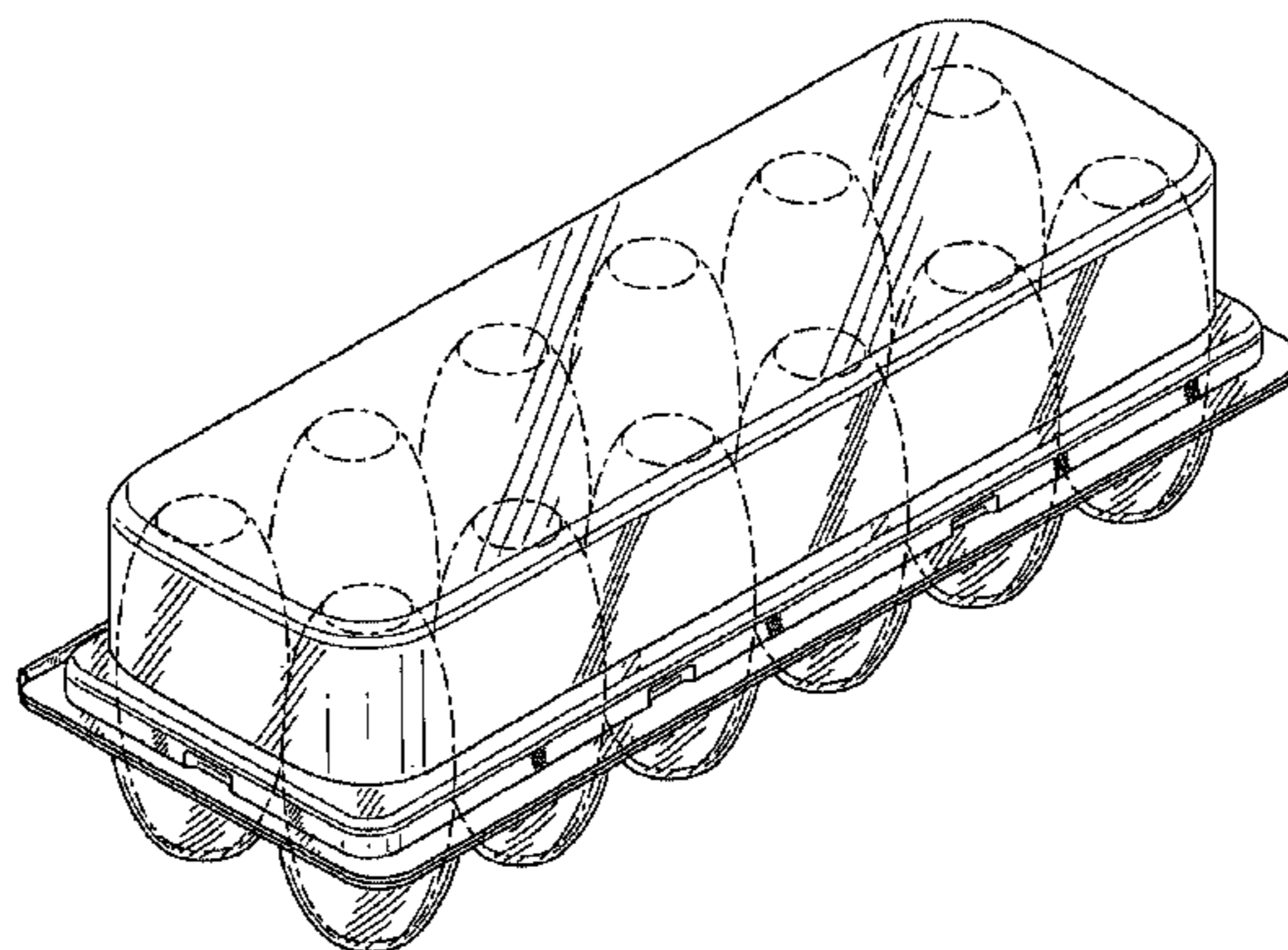
(58) **Field of Search** D9/341, 344, 345,
D9/347, 348; 206/521, 521.1, 521.8, 564;
220/508

(56) **References Cited**

U.S. PATENT DOCUMENTS

3,441,196	A	*	4/1969	Burkett	206/521.1
3,486,678	A	*	12/1969	Donaldson	206/521.8
3,506,182	A	*	4/1970	Snow et al.	206/521.1
3,510,049	A	*	5/1970	Donovan	206/521.1
3,664,574	A	*	5/1972	Pearl et al.	206/521.1
D224,518	S	*	8/1972	Pearl	D9/341
3,746,241	A	*	7/1973	Seymour	206/521.1
4,081,122	A	*	3/1978	Hobson	206/521.1
D256,667	S	*	9/1980	Congleton	D9/341

1 Claim, 12 Drawing Sheets



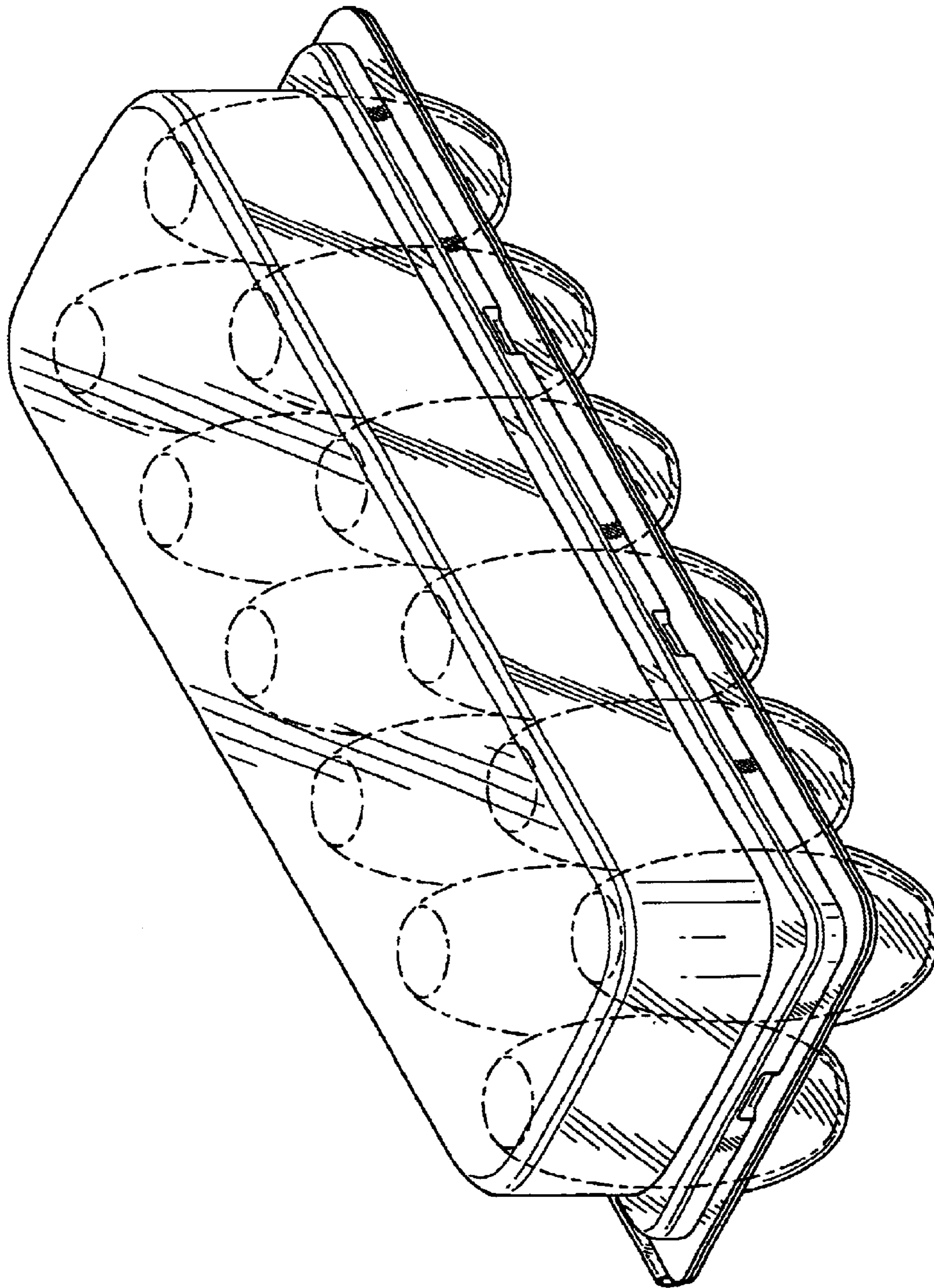


FIG. 1

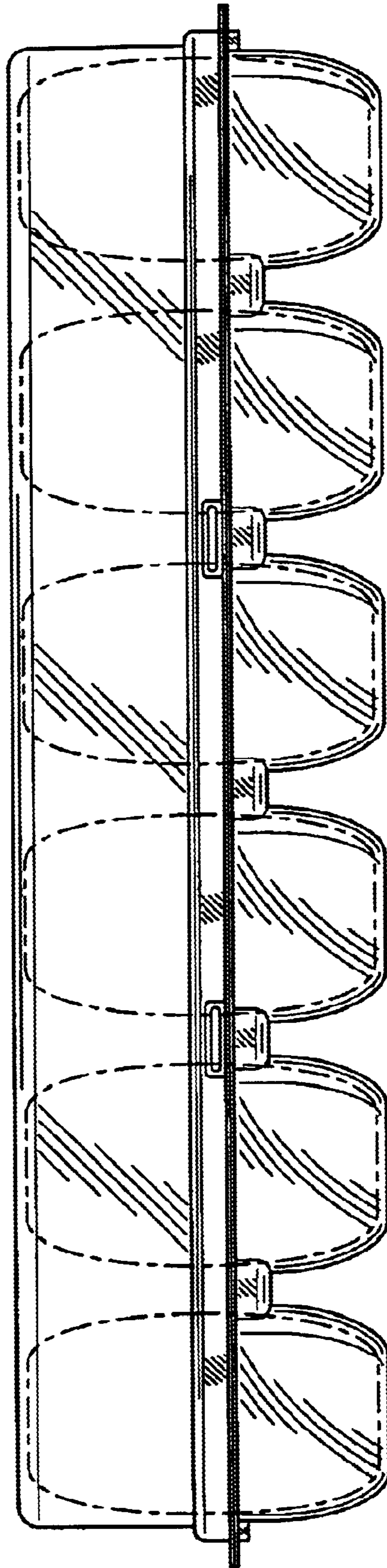


FIG. 2

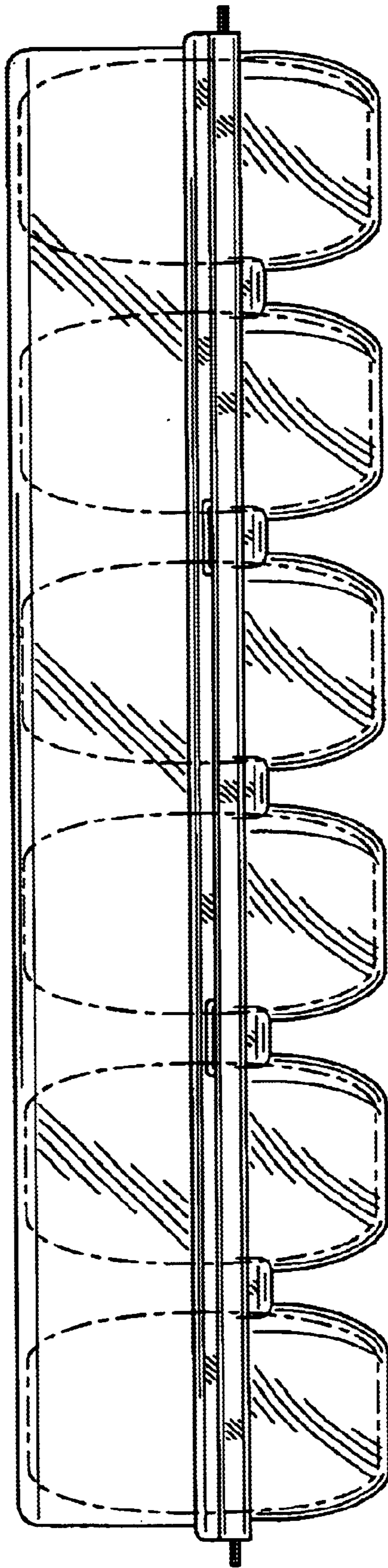


FIG. 3

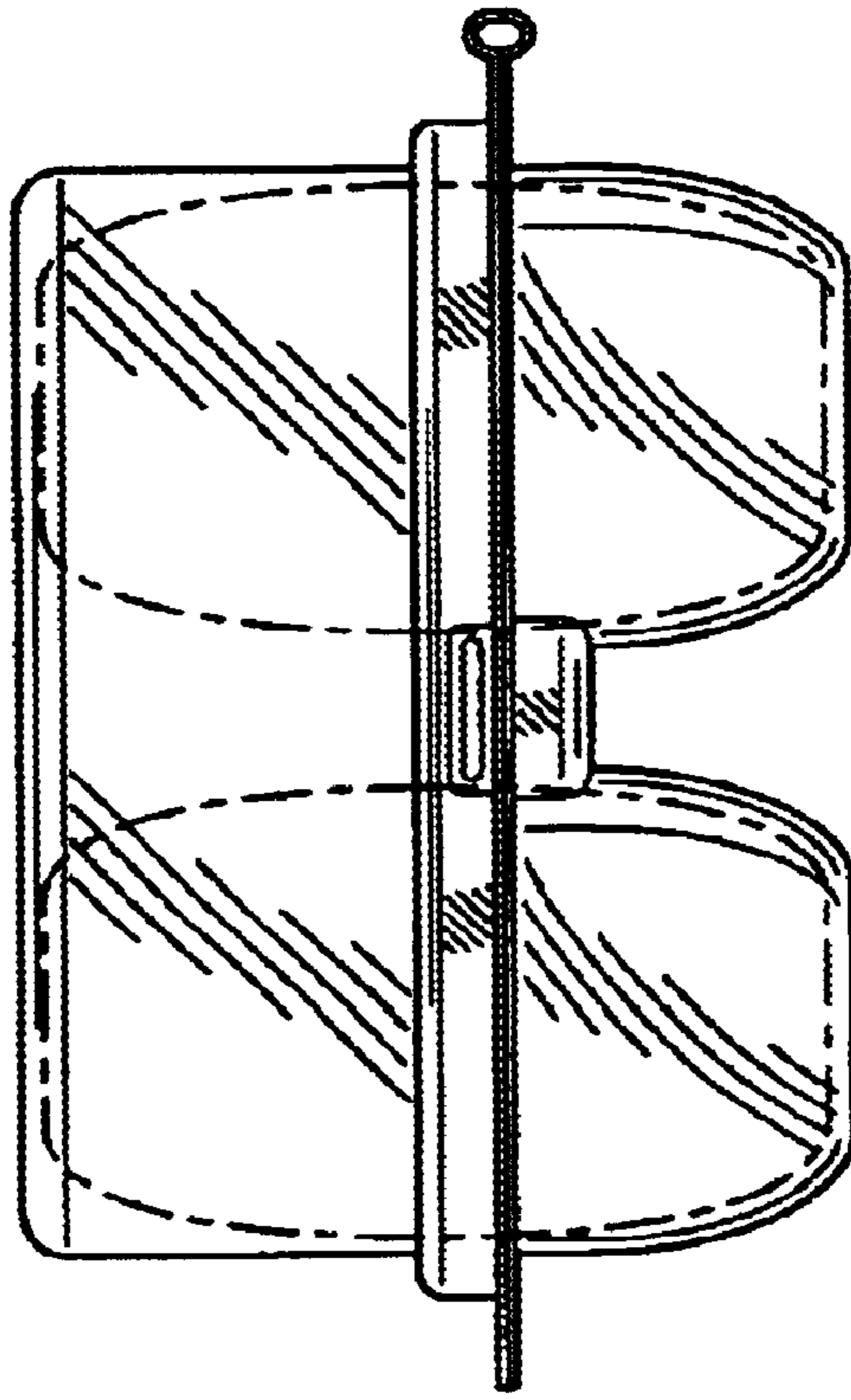


FIG. 5

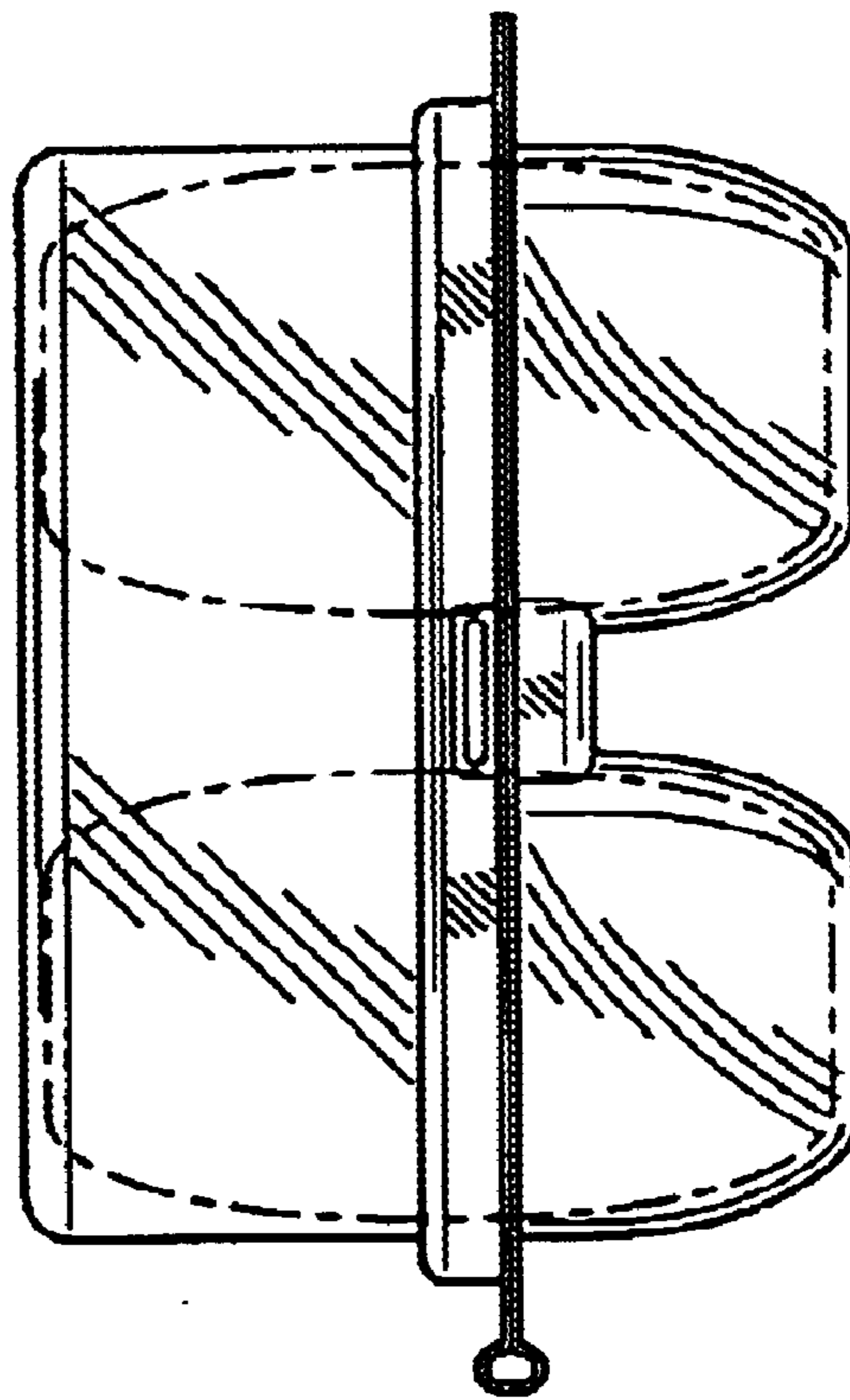


FIG. 4

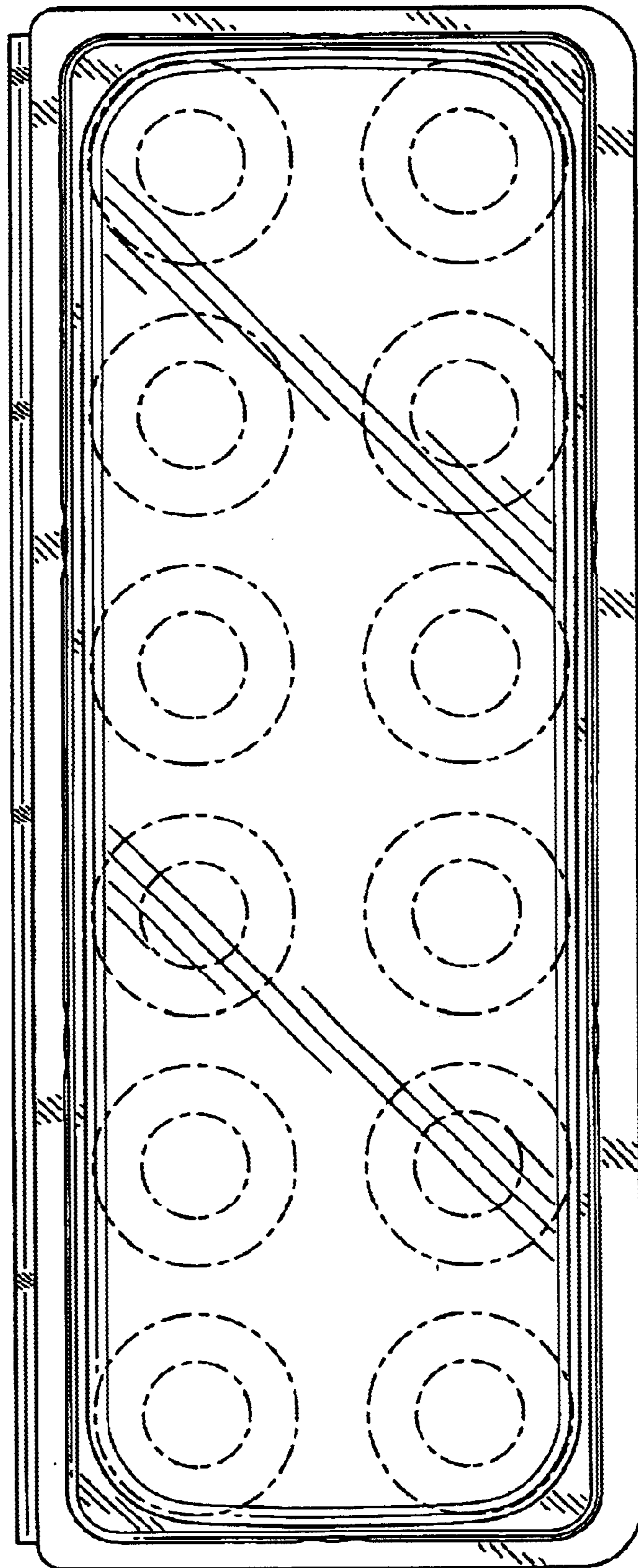


FIG. 6

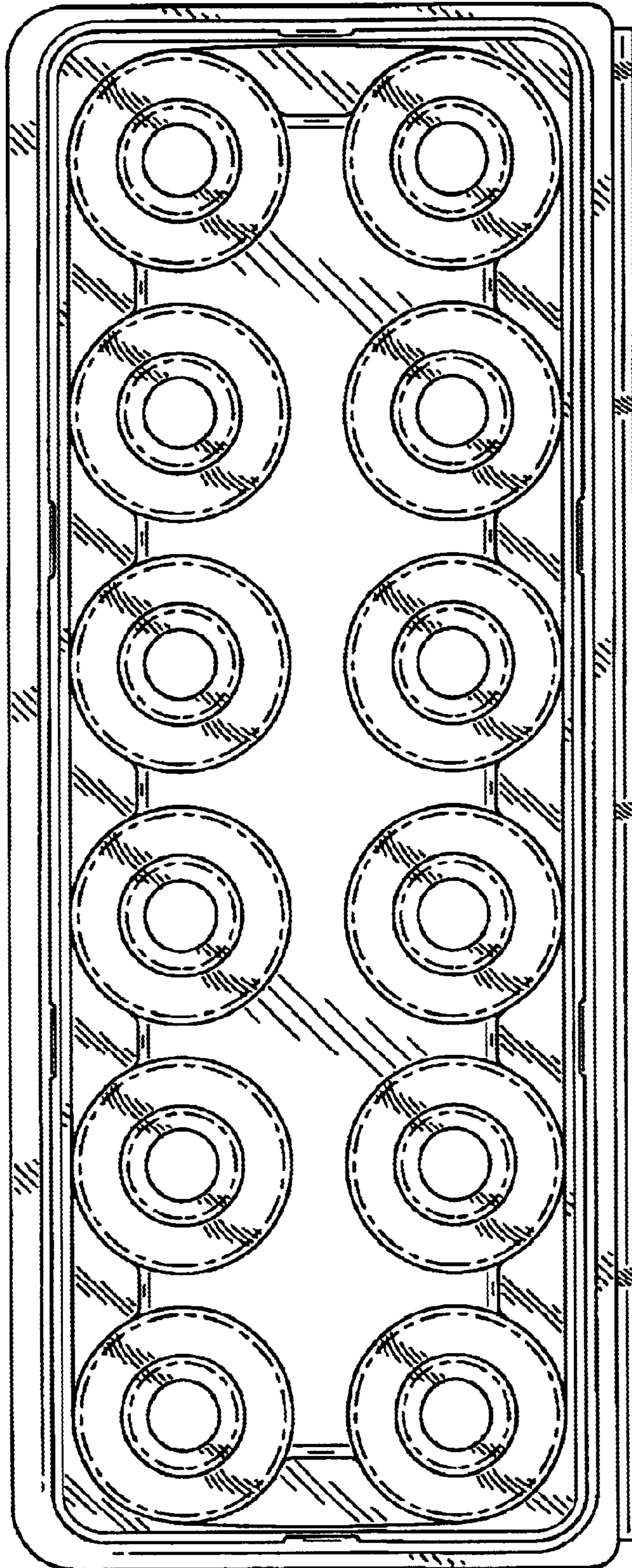


FIG. 7

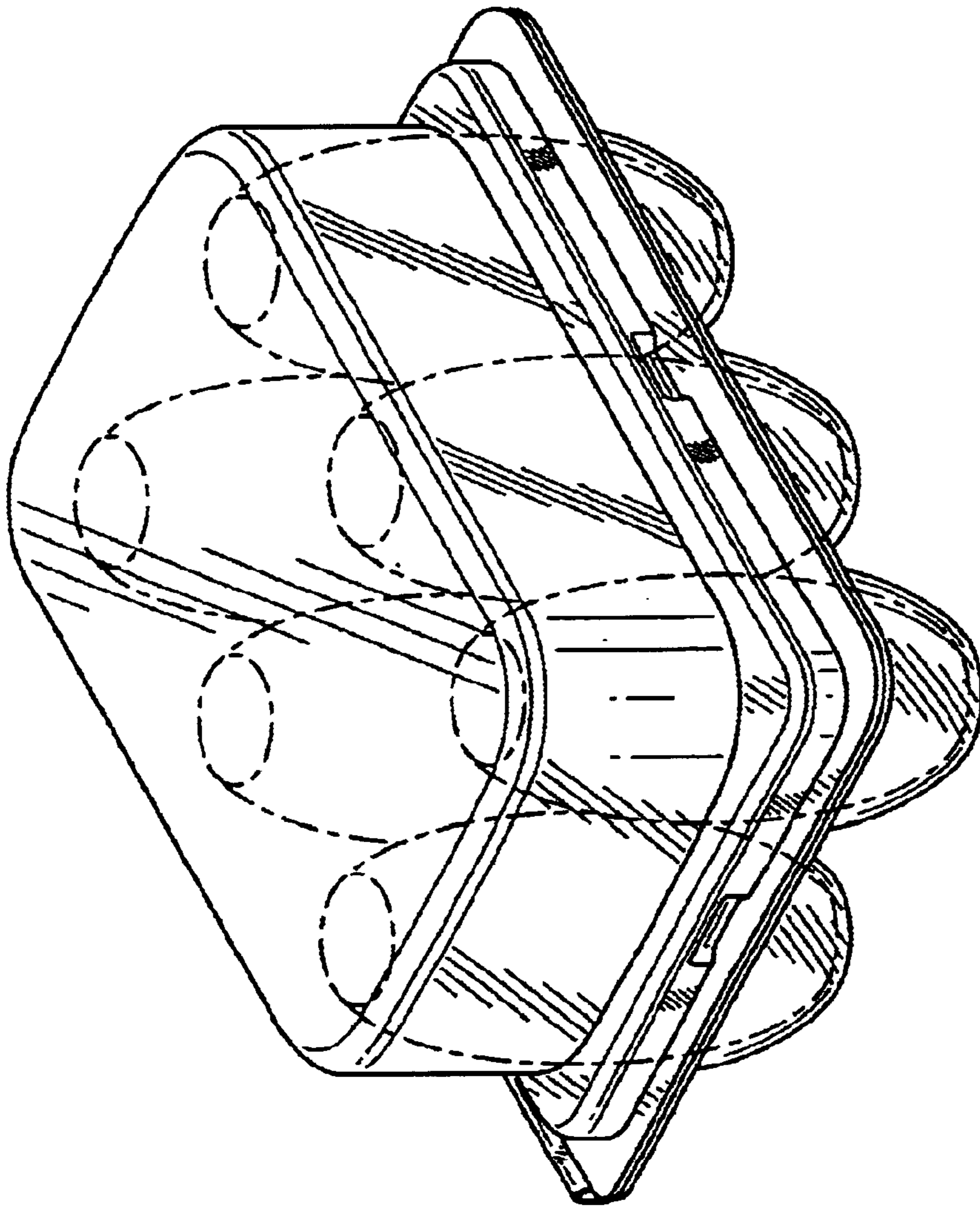


FIG. 8

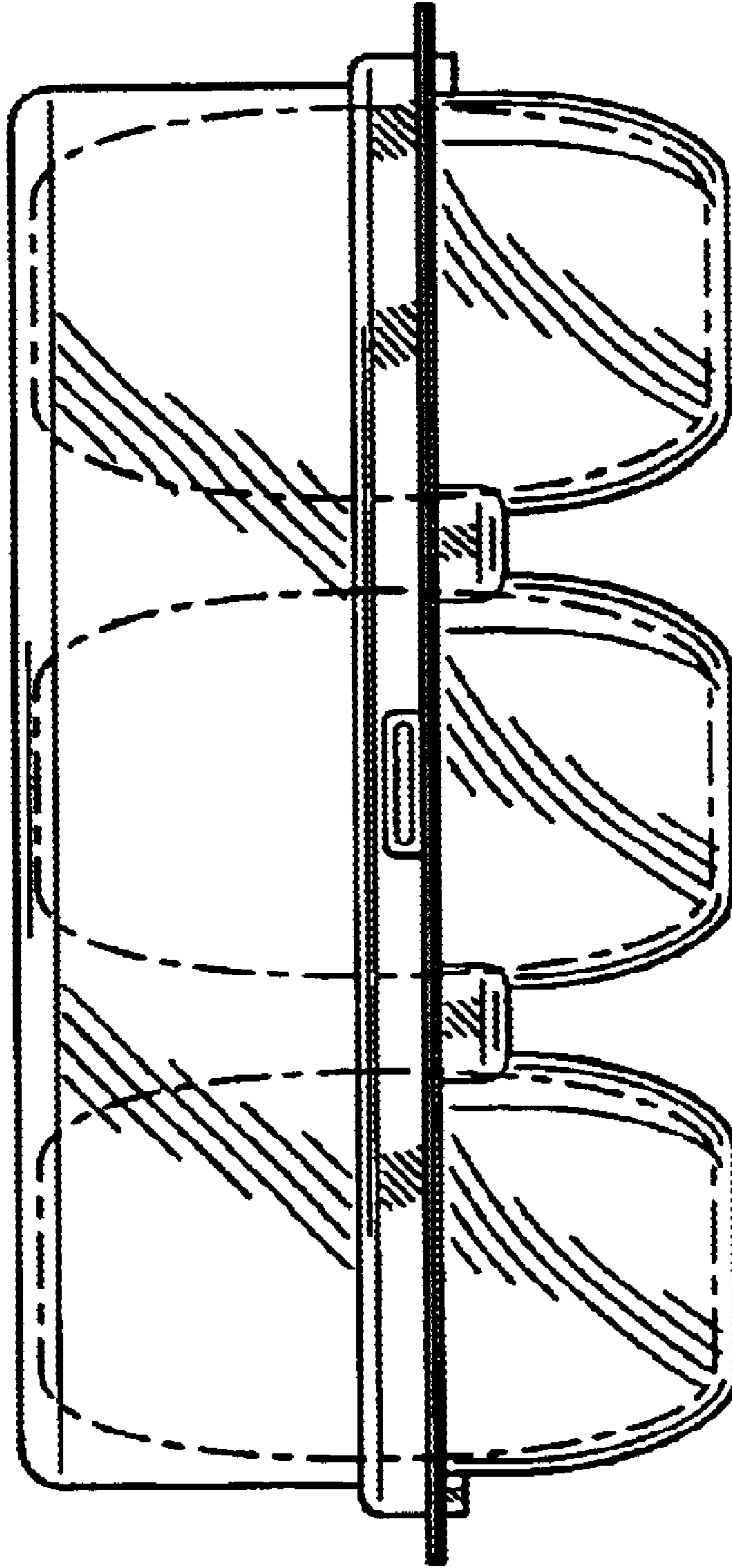


FIG. 9

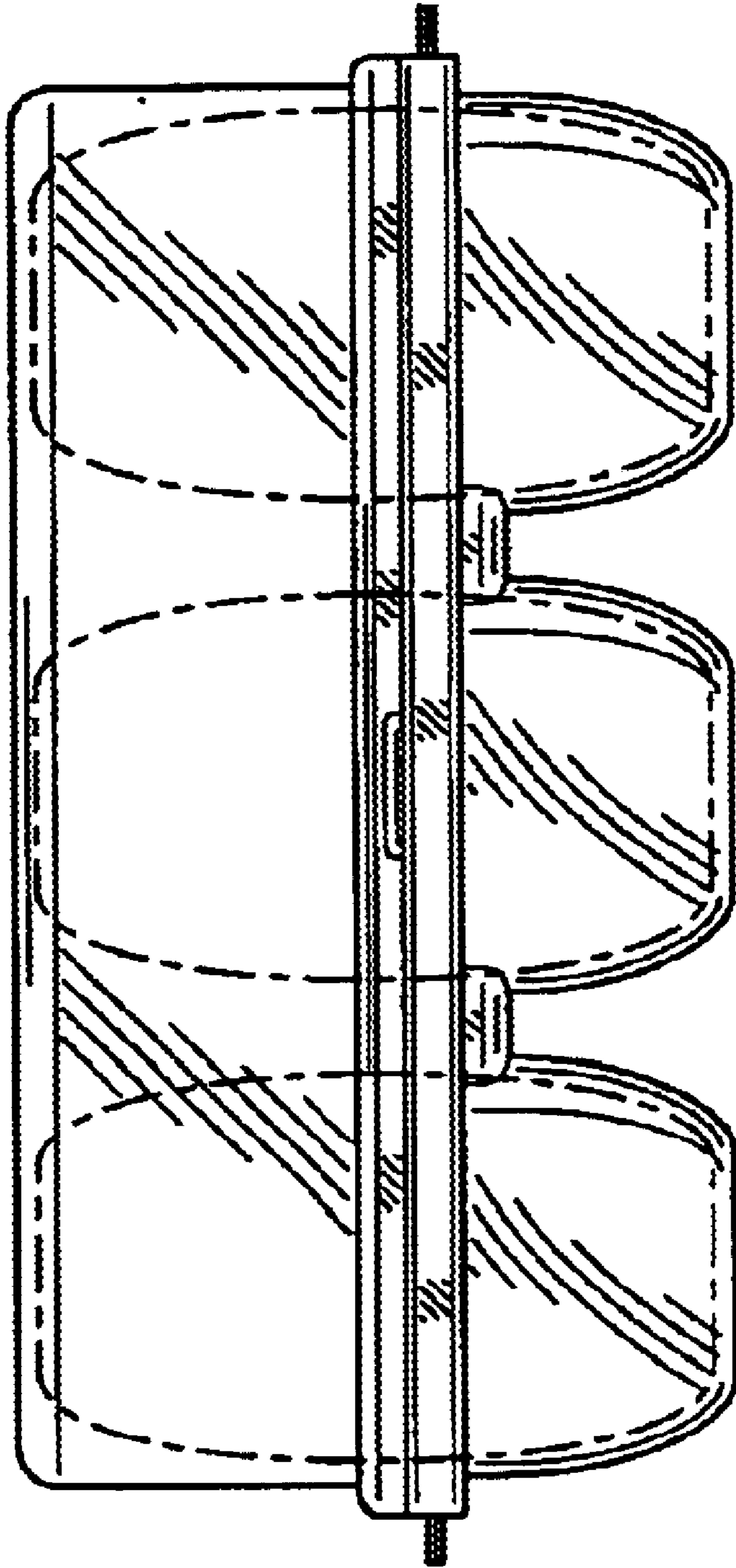


FIG. 10

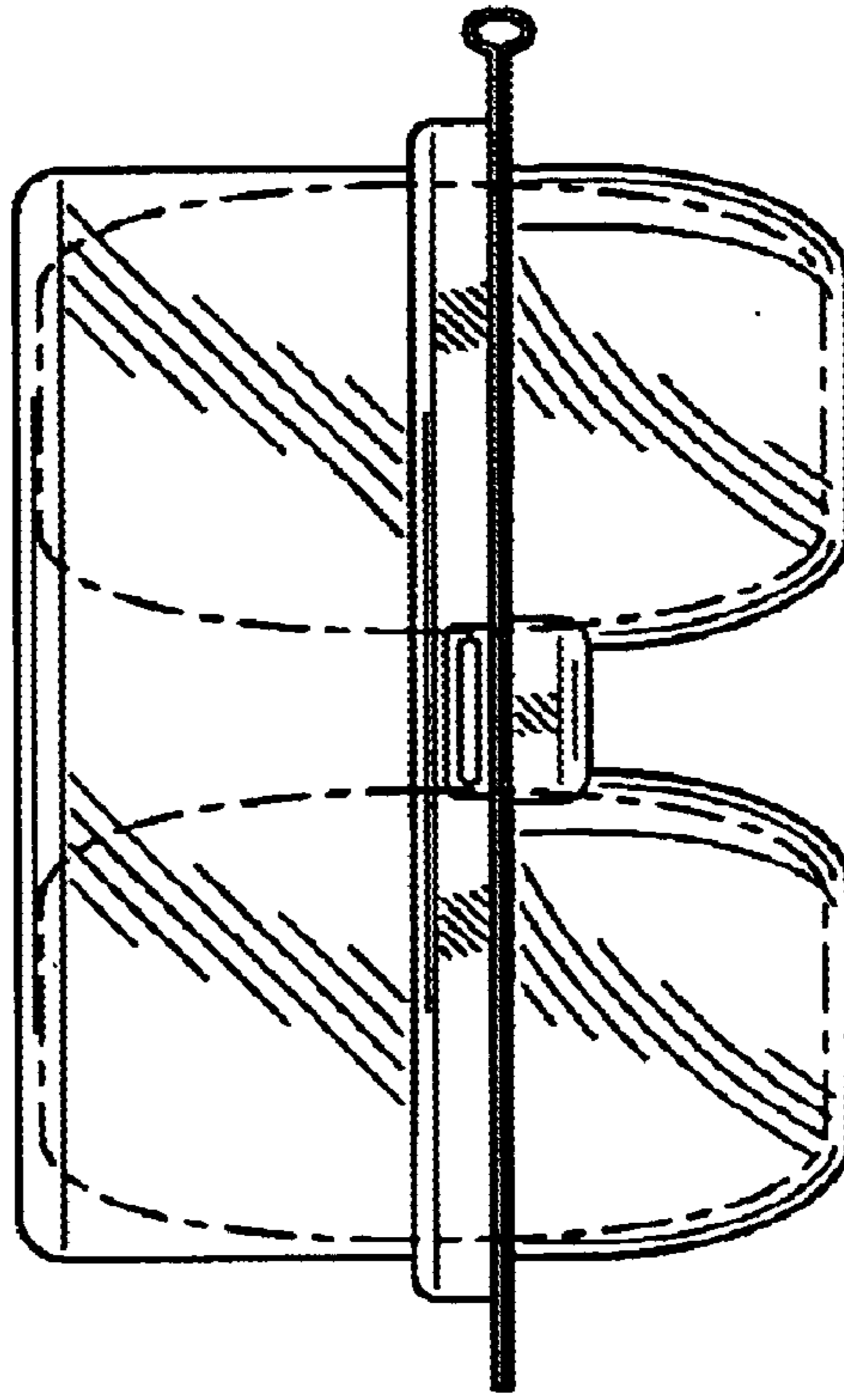


FIG. 11

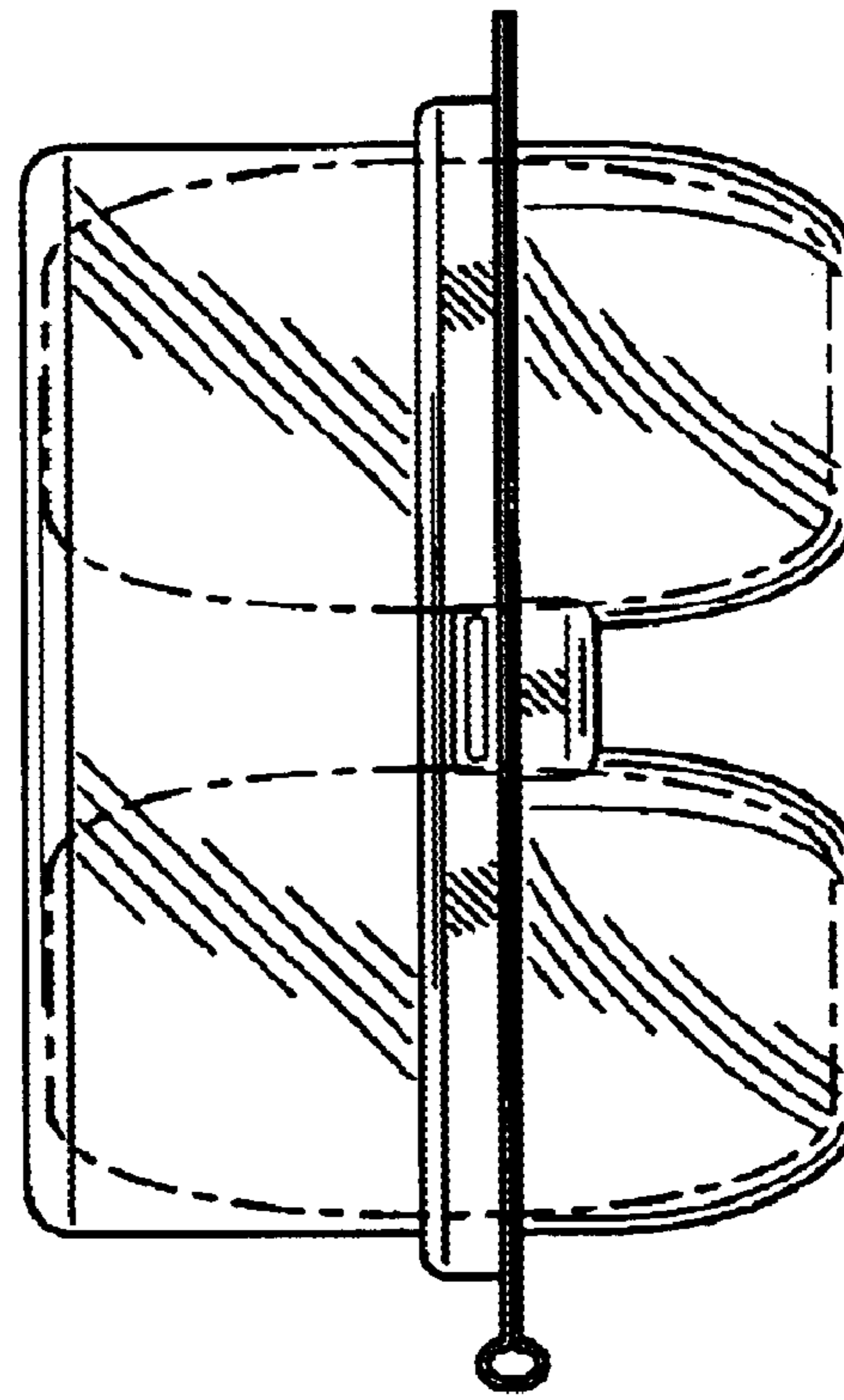


FIG. 12

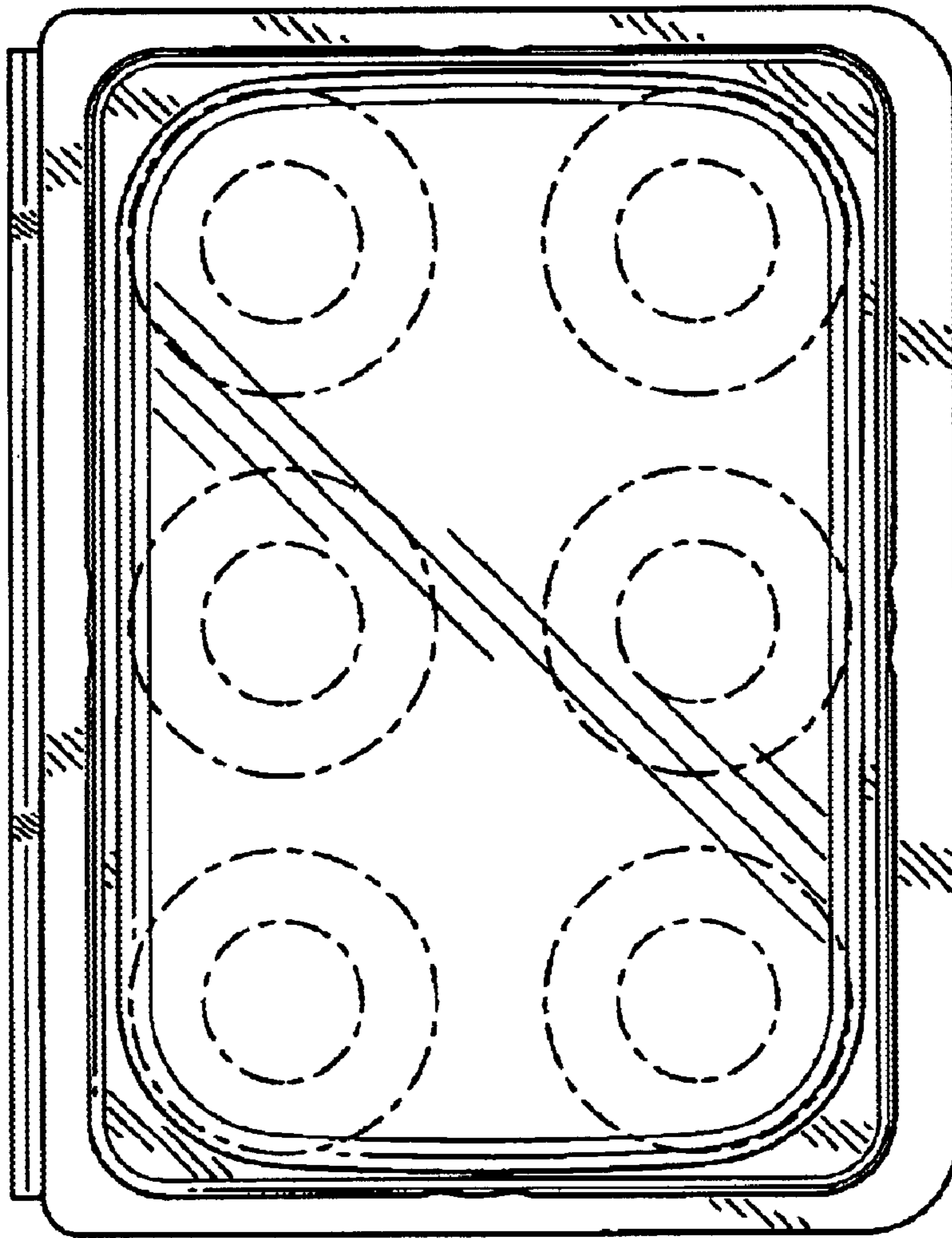


FIG. 13

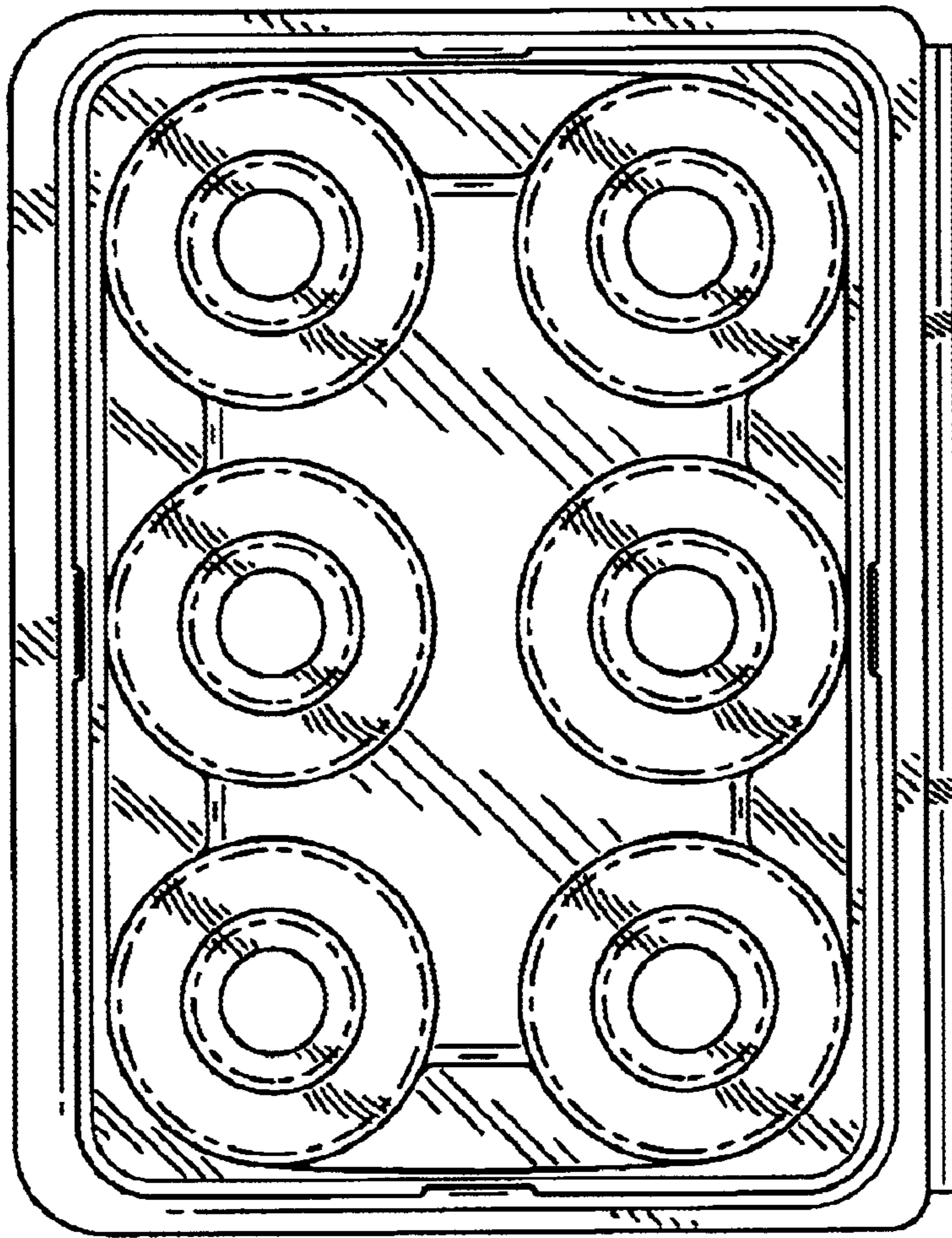


FIG. 14