



US00D491454S

(12) **United States Design Patent**
Yamaguchi

(10) **Patent No.:** **US D491,454 S**

(45) **Date of Patent:** **** Jun. 15, 2004**

(54) **STAY FOR FURNITURE**

FOREIGN PATENT DOCUMENTS

(75) Inventor: **Koshi Yamaguchi**, Gunma (JP)

JP 2001-355366 A 12/2001

(73) Assignee: **Sugatsune Kogyo Co., Ltd.**, Tokyo (JP)

* cited by examiner

(**) Term: **14 Years**

Primary Examiner—James Gandy

Assistant Examiner—Elizabeth Albert

(21) Appl. No.: **29/167,209**

(74) *Attorney, Agent, or Firm*—Brown & Michaels, PC; Eugene Stephens & Associates

(22) Filed: **Sep. 10, 2002**

(57) **CLAIM**

(30) **Foreign Application Priority Data**

I claim the ornamental design for a stay for furniture, as shown and described.

Mar. 11, 2002 (JP) 2002-006343

DESCRIPTION

(51) **LOC (7) Cl.** **08-09**

(52) **U.S. Cl.** **D8/402**

(58) **Field of Search** D8/349, 354, 355, D8/382, 395, 400, 402, 499; 16/82, 85, 86 C, 286, 289, 91, 297, 306, 319, 321, 335, 339, 374, DIG. 17; 49/206, 386; 248/291.1, 292.13, 351, 688; 312/319.2, 325

FIG. 1 is a front view of the stay for furniture.

FIG. 2 is a top plan view.

FIG. 3 is a bottom plan view.

FIG. 4 is a rear view.

FIG. 5 is a right side view.

FIG. 6 is a left side view.

FIG. 7 is a sectional view taken along line 7—7 in FIG. 1.

FIG. 8 is a top view thereof on a reduced scale shown in a state of use with the door of furniture closed.

FIG. 9 is a top view thereof on a reduced scale shown in a state of use with the door of furniture open; and,

FIG. 10 is a perspective view thereof on a slightly reduced scale in a state of use.

The broken lines showing environment in the drawings are for illustrative purposes only and form no part of the claimed design.

(56) **References Cited**

U.S. PATENT DOCUMENTS

1,757,075	A	*	5/1930	Earhart	16/86	C
2,993,225	A	*	7/1961	McPhaden	16/339	
4,914,782	A	*	4/1990	Rupprechter	16/319	
5,546,705	A	*	8/1996	Hirtsiefer	49/386	
5,904,411	A	*	5/1999	Hayakawa	16/286	
6,141,832	A	*	11/2000	Salice	16/366	
6,237,191	B1	*	5/2001	Ferrari et al.	16/297	
D459,983	S	*	7/2002	Hayakawa	D8/402	

1 Claim, 4 Drawing Sheets

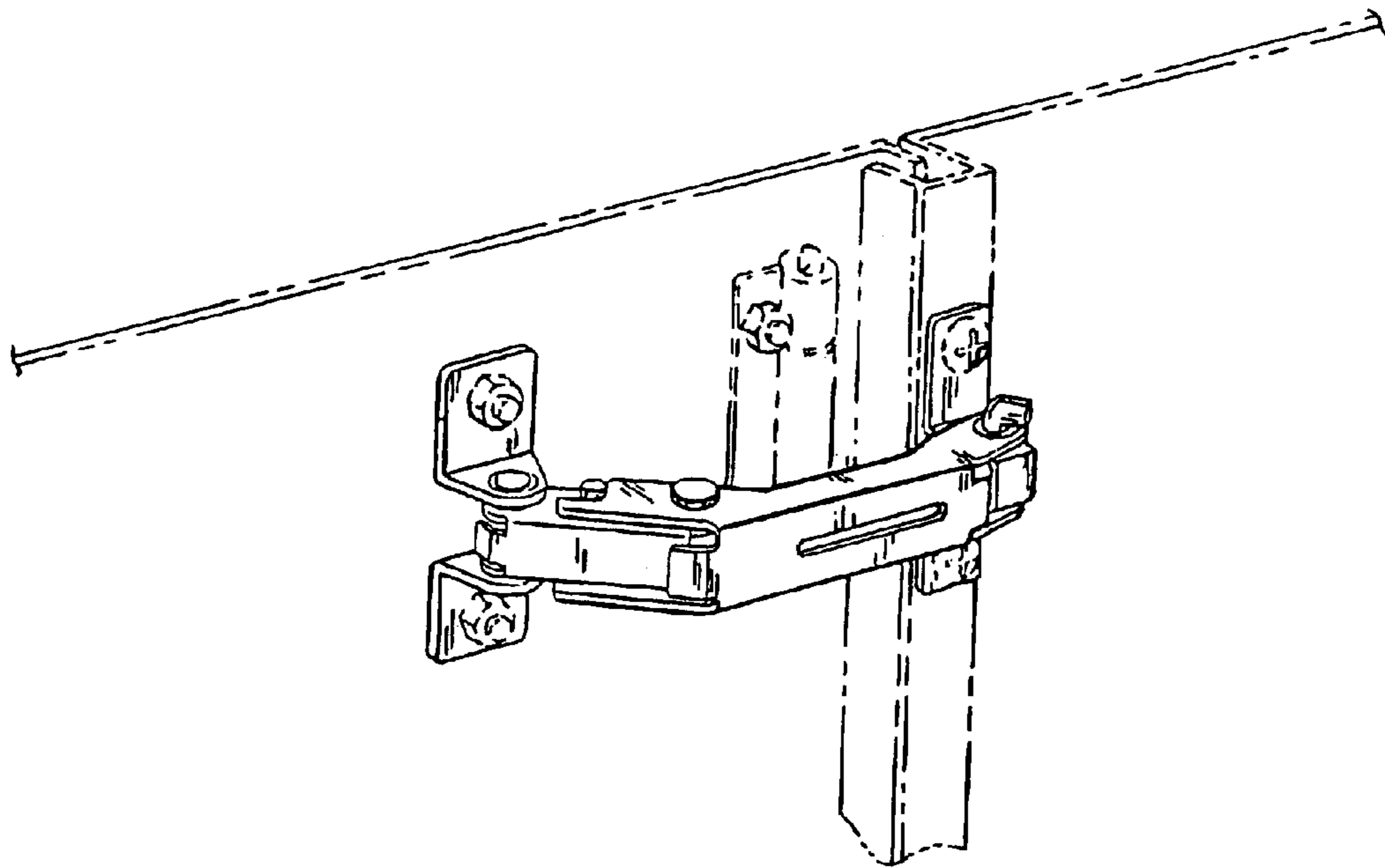


FIG. 1

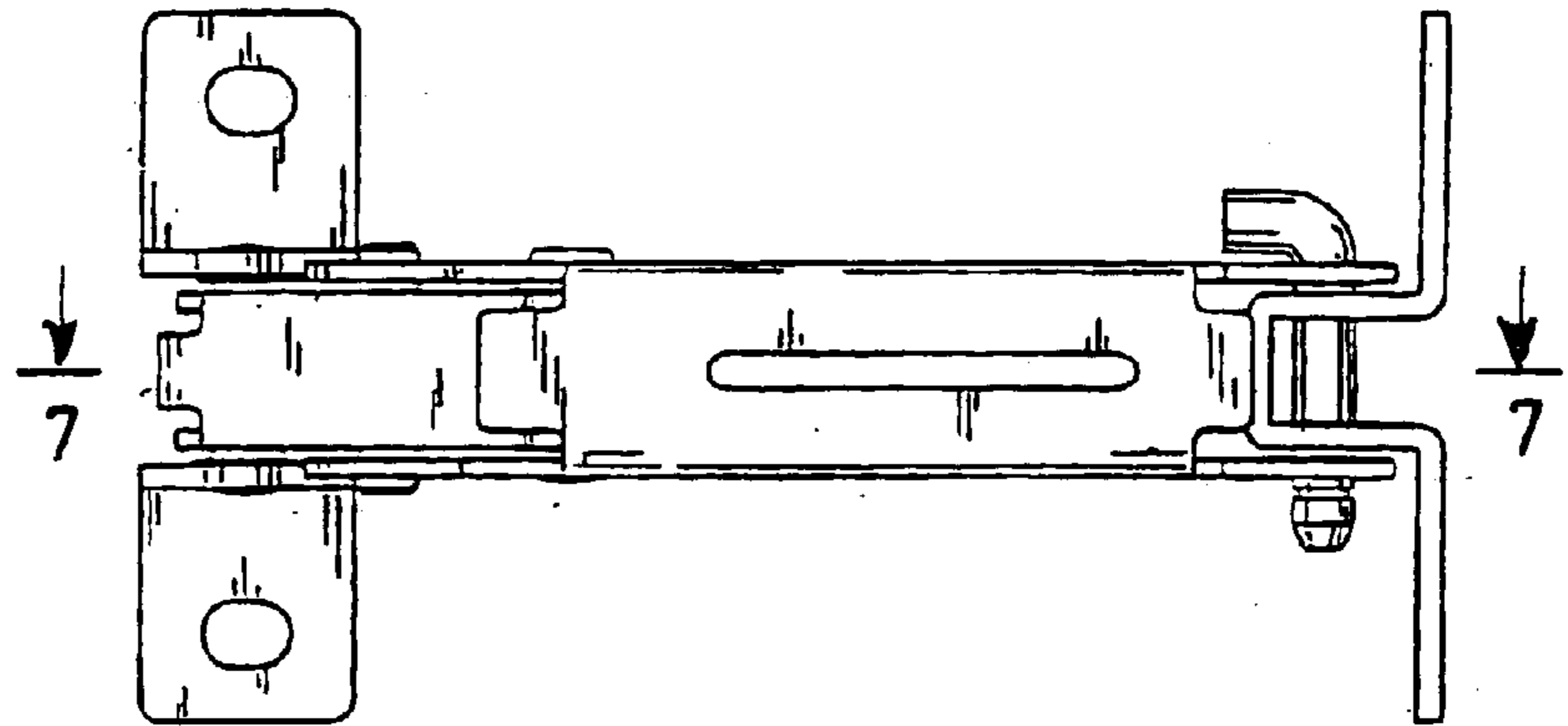


FIG. 2

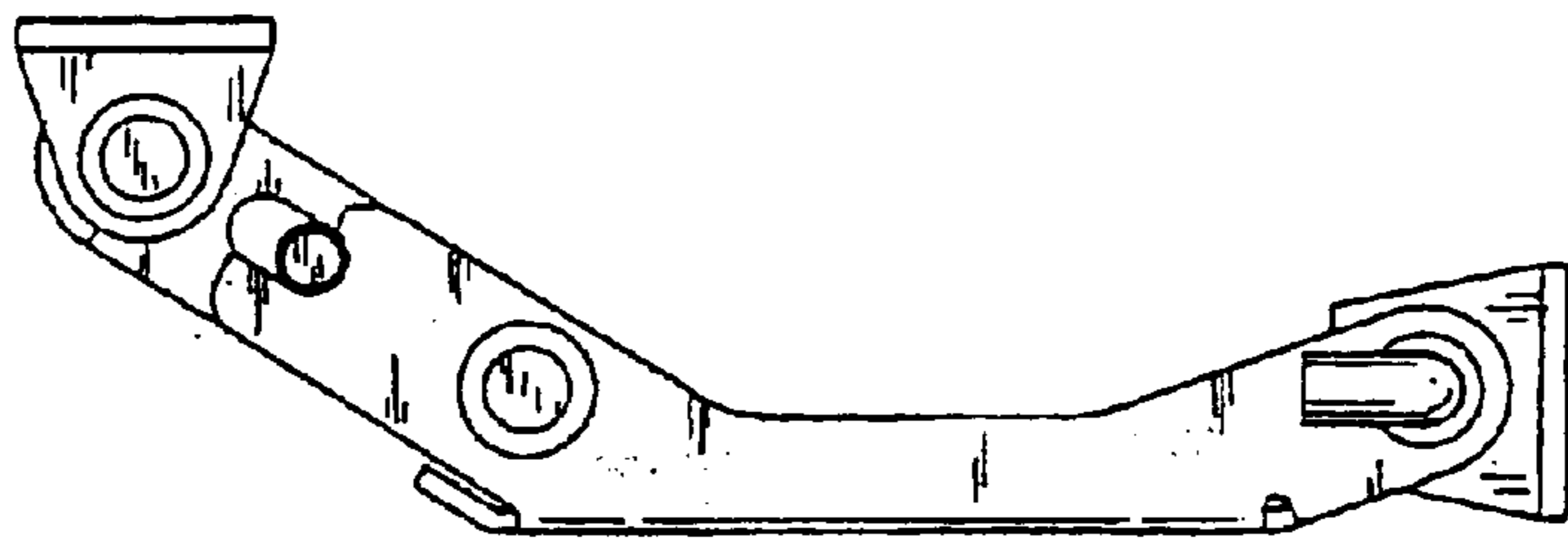


FIG. 3

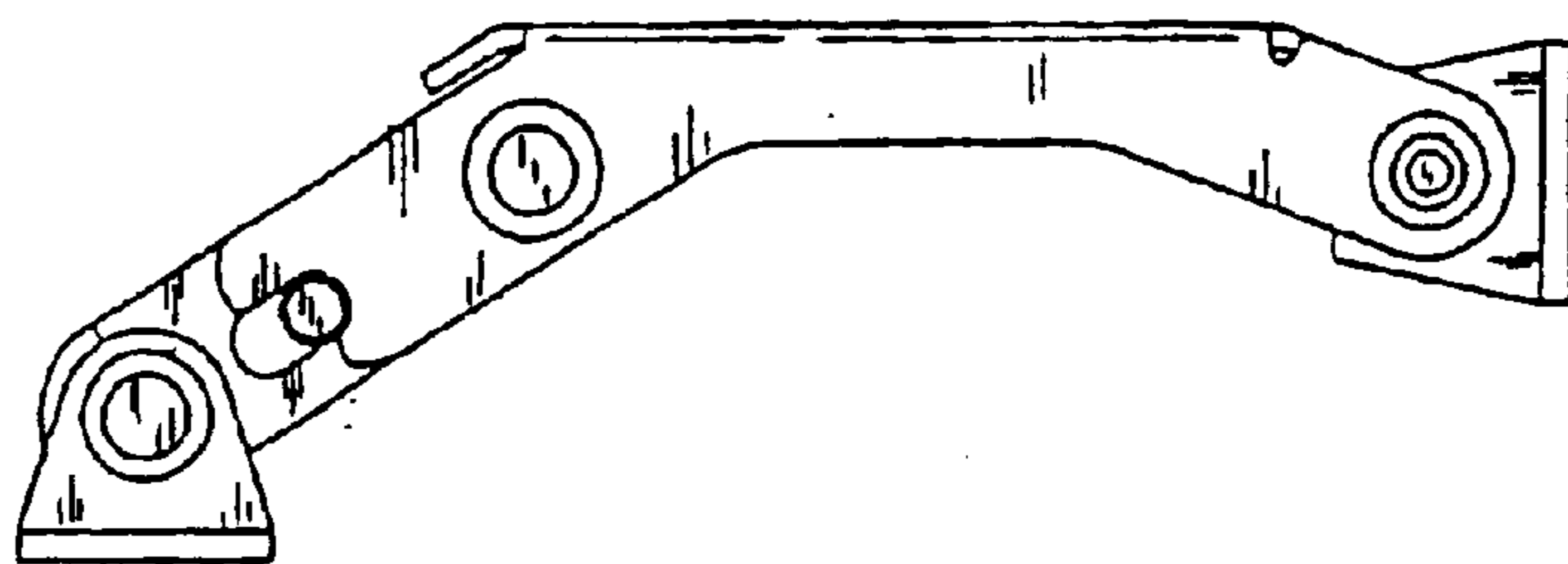


FIG. 4

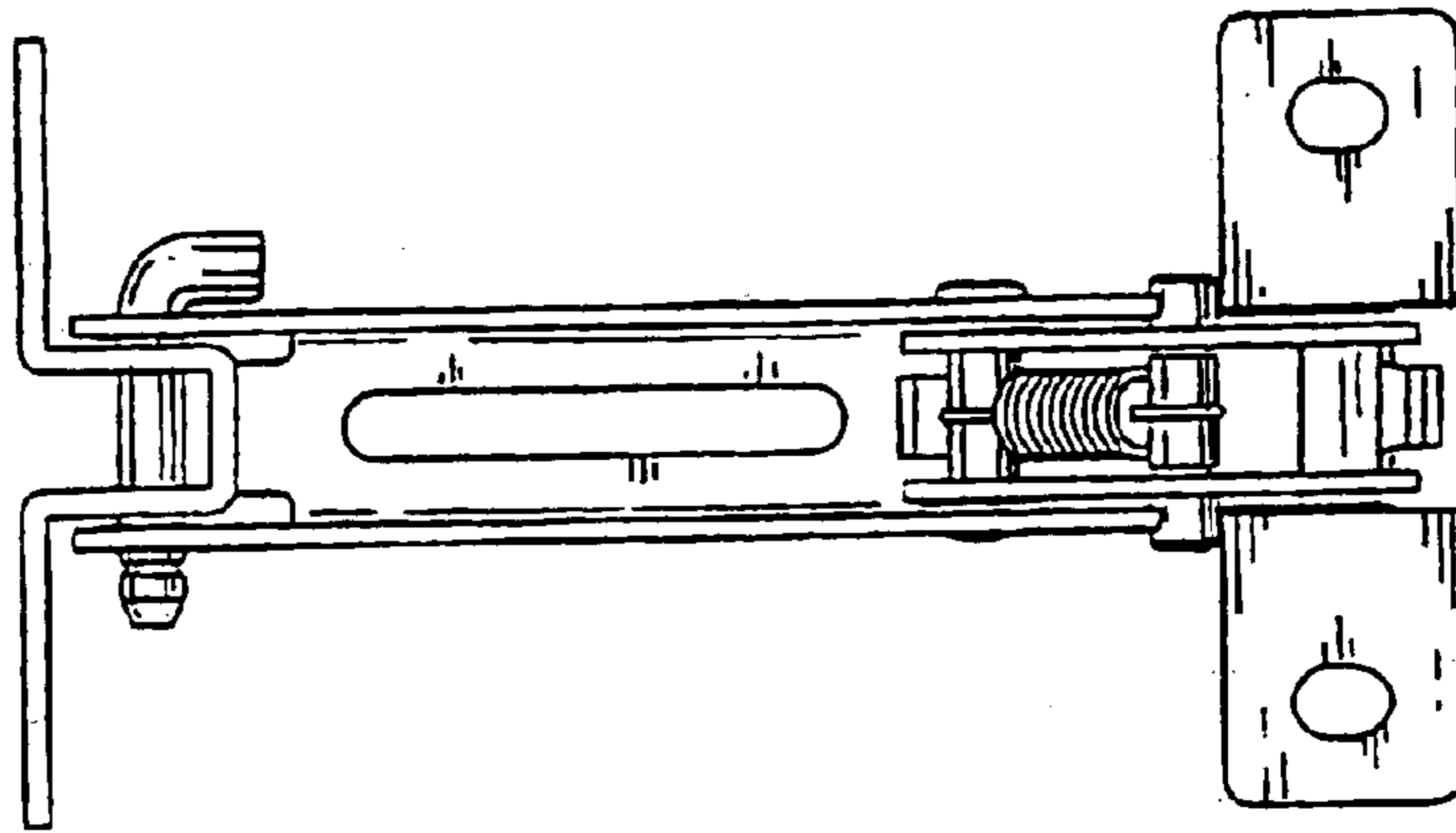


FIG. 5

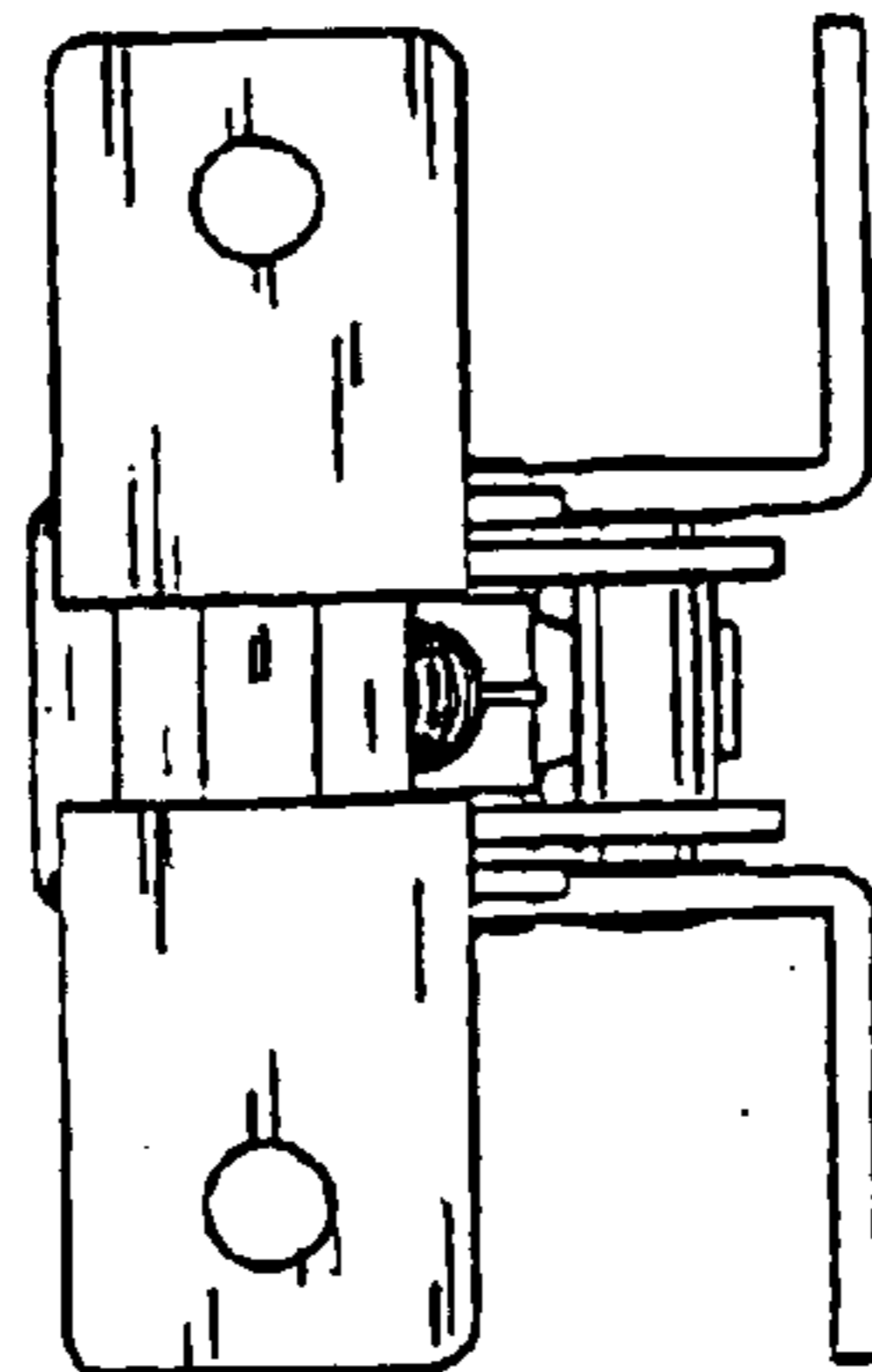


FIG. 6

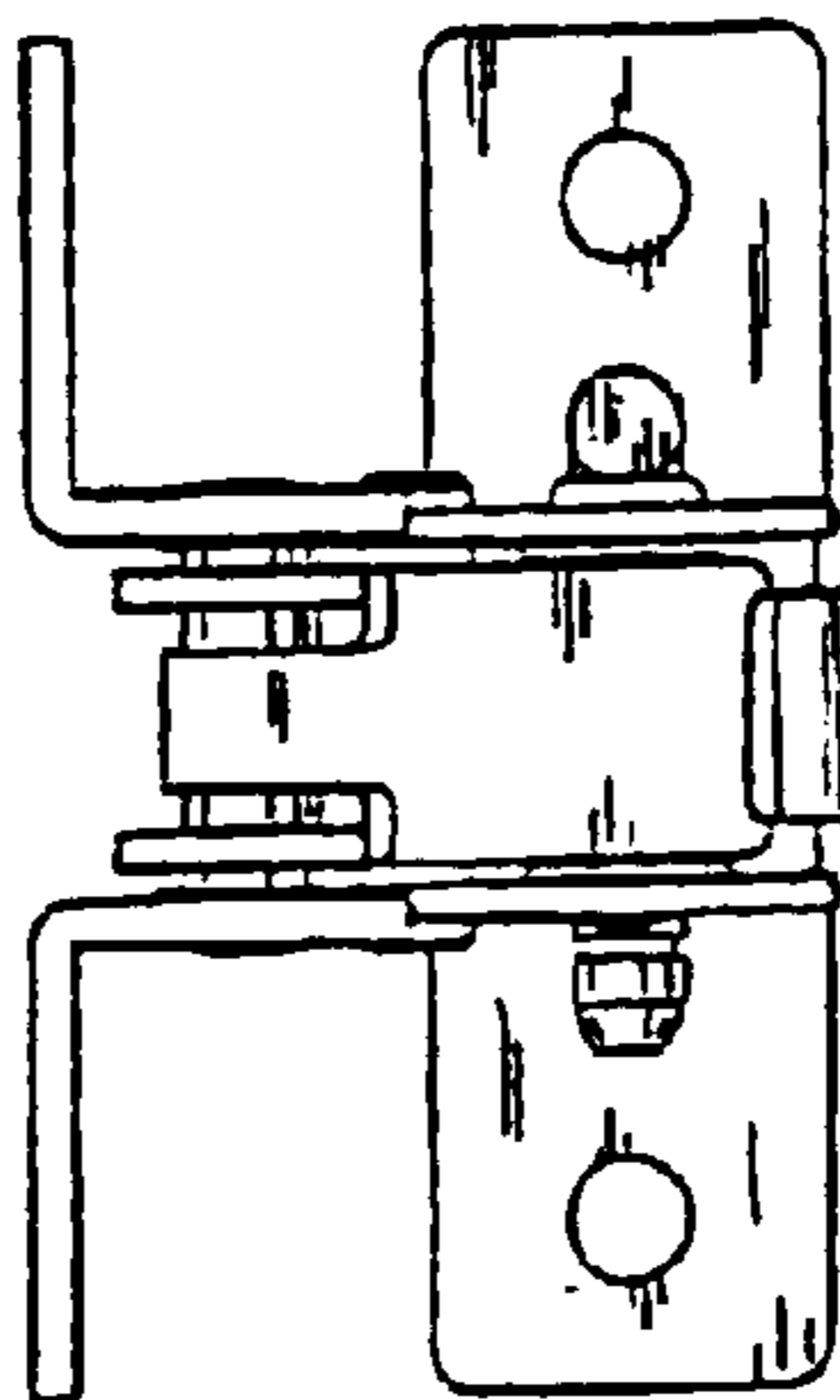


FIG. 7

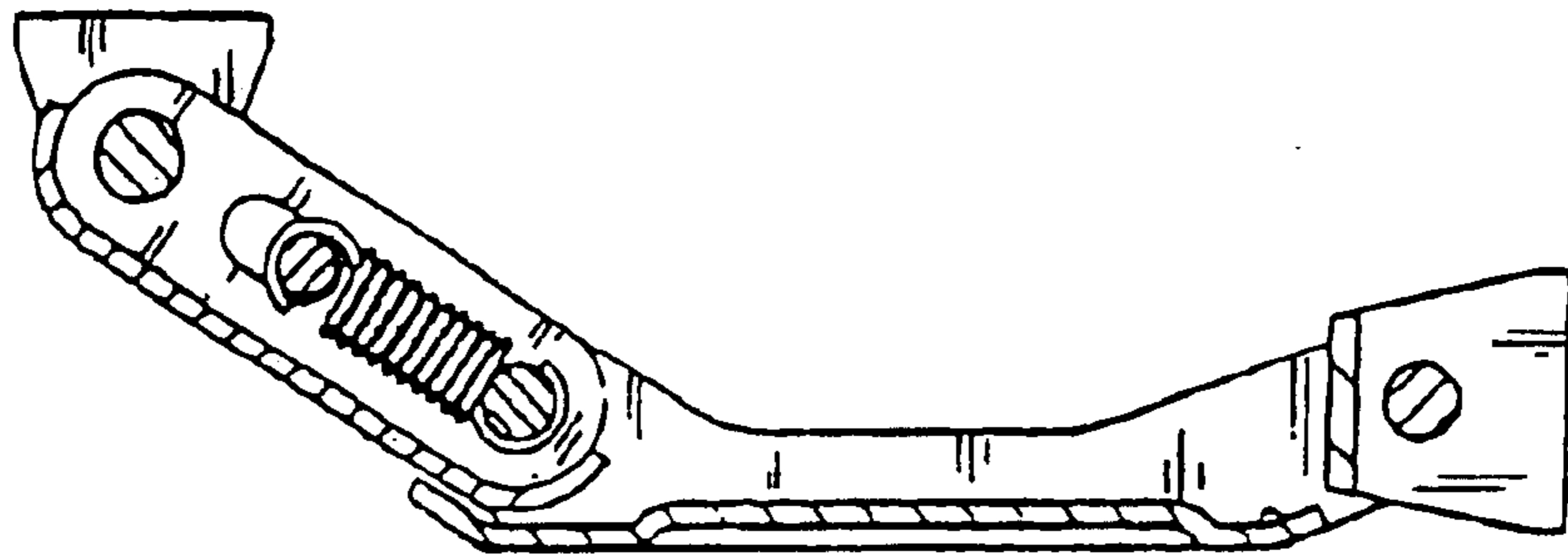


FIG. 8

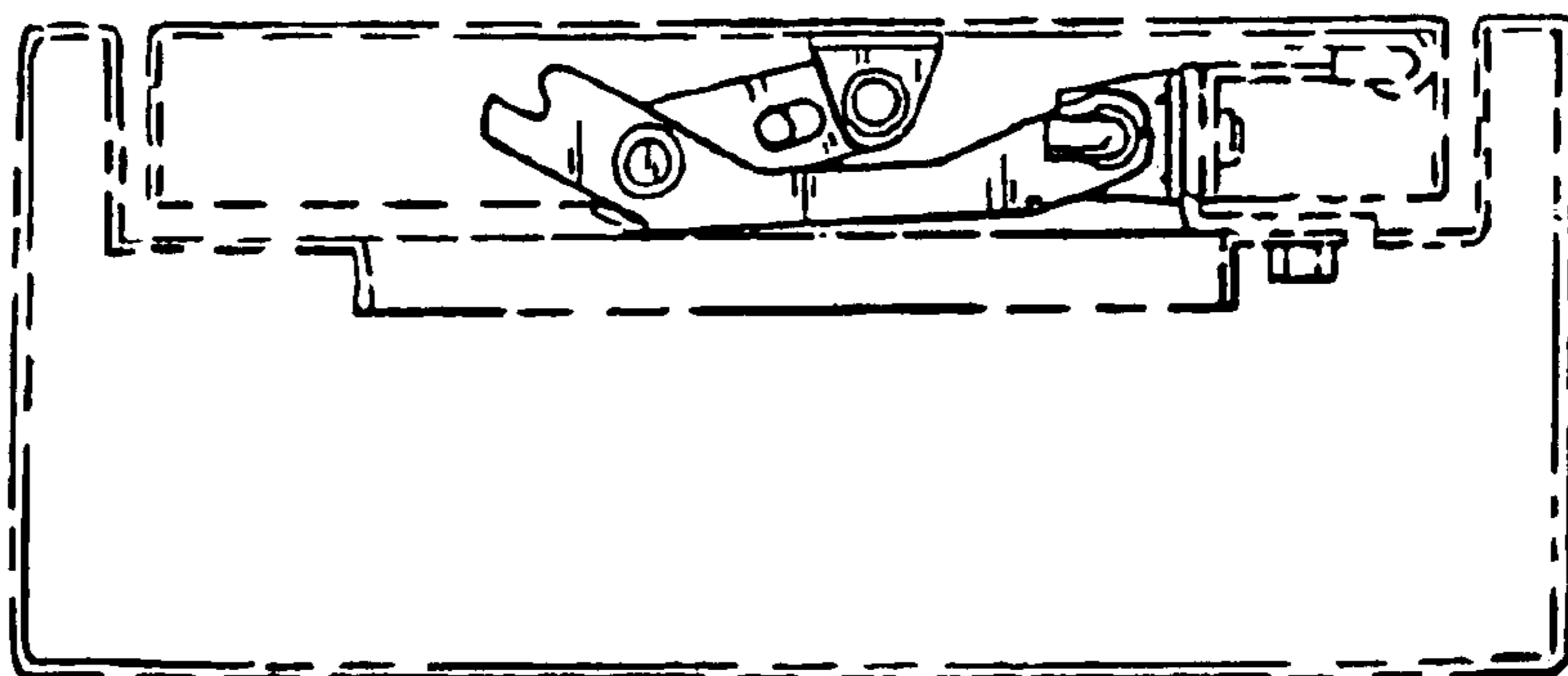


FIG. 9

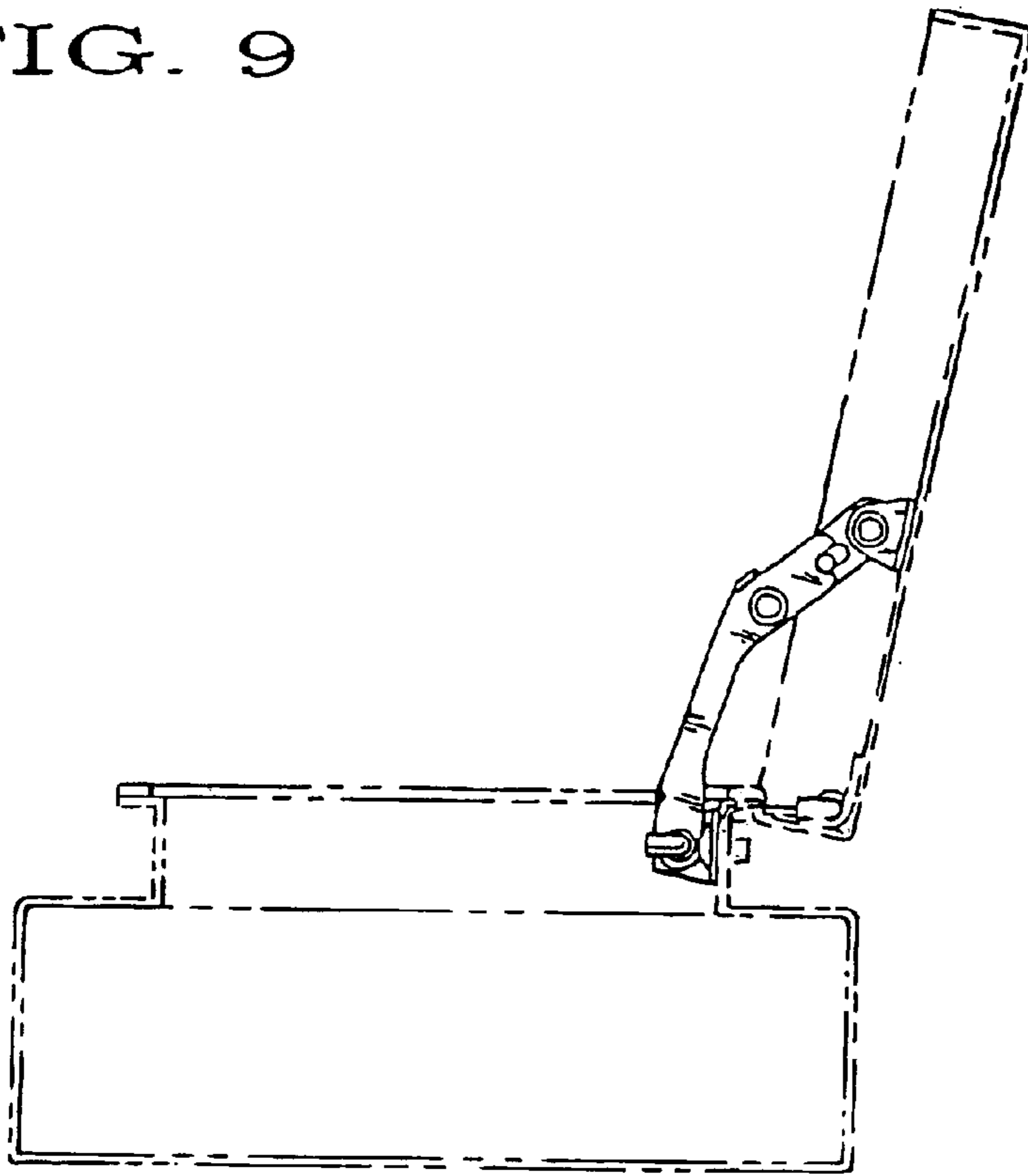


FIG. 10

