



US00D491442S

(12) **United States Design Patent**  
**Cordero et al.**

(10) **Patent No.:** **US D491,442 S**

(45) **Date of Patent:** **\*\* Jun. 15, 2004**

(54) **ADAPTER BRACKET FOR A GAS IGNITER**

(75) **Inventors:** **Jose Cordero**, Moca, PR (US); **Miguel A. Rodriguez**, Cabo Rojo, PR (US); **George C. Hanna**, Chagrin Falls, OH (US)

(73) **Assignee:** **Graphite Sales, Inc.**, Chagrin Falls, OH (US)

(\*\*) **Term:** **14 Years**

(21) **Appl. No.:** **29/186,167**

(22) **Filed:** **Jul. 11, 2003**

(51) **LOC (7) Cl.** ..... **08-05**

(52) **U.S. Cl.** ..... **D8/354**

(58) **Field of Search** ..... D6/323, 513; D8/349, D8/354, 355, 367, 373, 380, 394, 395, 396; D23/322, 341, 386, 418; 24/16 R, 343, 369, 531, 563, 570; 126/39 E, 39 R, 41 R; 248/65, 69, 674, 675, 200, 300, 301, 304; 431/192, 242, 343, 344, 354, 262, 263; 219/270; 361/266

(56) **References Cited**

**U.S. PATENT DOCUMENTS**

1,365,065	A	*	1/1921	Sherwood	.....	248/69
1,365,617	A	*	1/1921	Karitzky	.....	248/69
1,419,932	A	*	6/1922	Karitzky	.....	248/69
1,595,728	A	*	8/1926	Pleister	.....	248/69
1,625,897	A	*	4/1927	Klein	.....	248/69

2,588,251	A	*	3/1952	Kost	.....	411/529
2,662,745	A	*	12/1953	Jorn	.....	165/56
3,142,104	A	*	7/1964	Nielsen, Jr.	.....	24/343
3,185,420	A	*	5/1965	Stewart	.....	248/74.5
RE29,853	E		11/1978	Perl		
4,188,937	A		2/1980	Baynes		
D290,931	S	*	7/1987	Powell	.....	D8/373
D302,655	S	*	8/1989	Sachs	.....	D8/396
D331,358	S	*	12/1992	Sachs	.....	D8/356
5,800,158	A	*	9/1998	De Groot	.....	431/343
5,897,082	A	*	4/1999	Losada	.....	248/65
6,012,443	A	*	1/2000	Peug	.....	126/39 E

\* cited by examiner

*Primary Examiner*—James Gandy

*Assistant Examiner*—Elizabeth Albert

(74) *Attorney, Agent, or Firm*—Fay, Sharpe, Fagan, Minnich & McKee

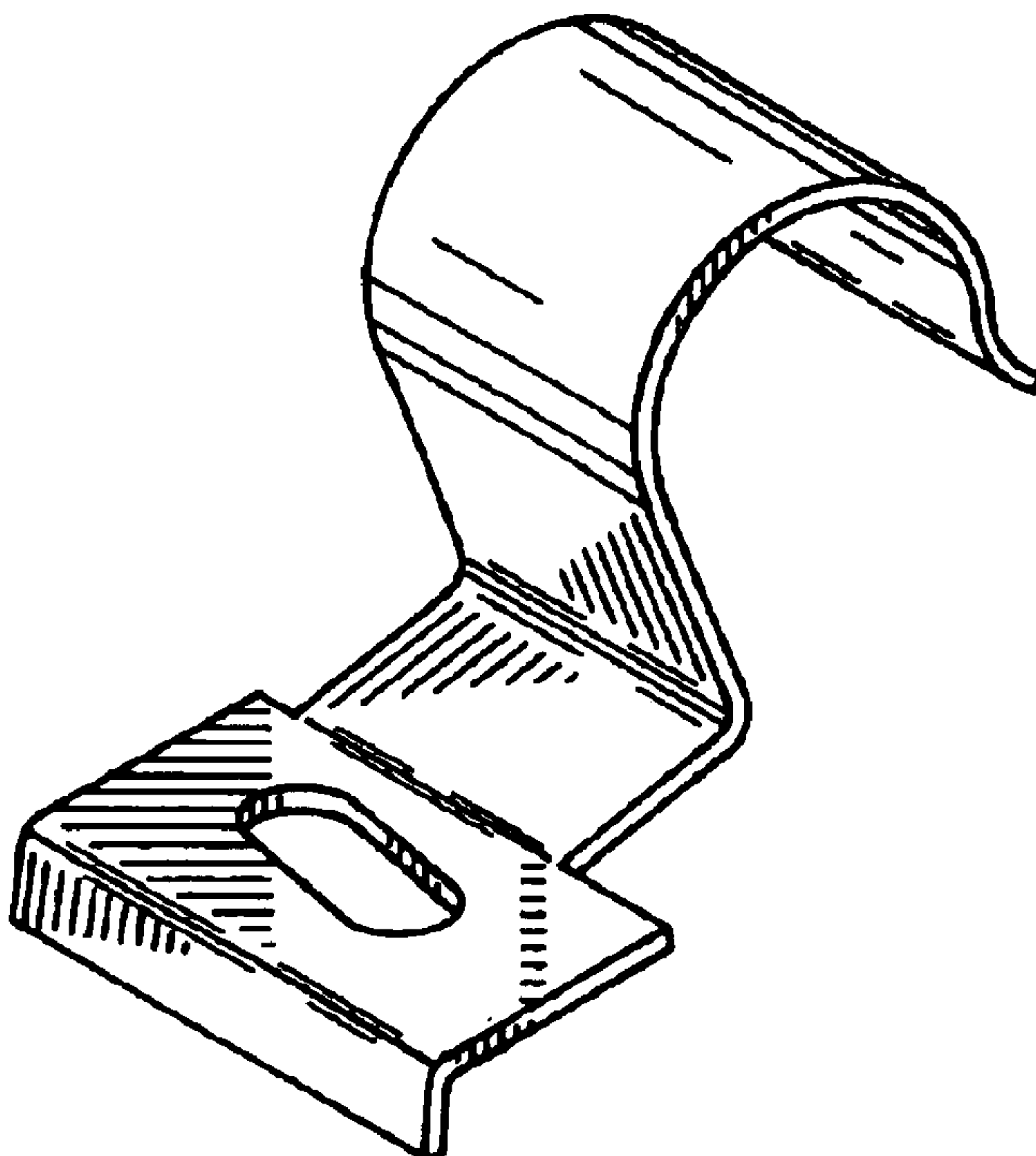
(57) **CLAIM**

The ornamental design for an adapter bracket for a gas igniter, as shown and described.

**DESCRIPTION**

FIG. 1 is a perspective view of an adapter bracket for a gas igniter showing my new design; FIG. 2 is a front elevational view thereof; FIG. 3 is a top plan view thereof; FIG. 4 is a left side elevational view thereof; FIG. 5 is a rear elevational view thereof; and, FIG. 6 is a bottom plan view thereof.

**1 Claim, 2 Drawing Sheets**



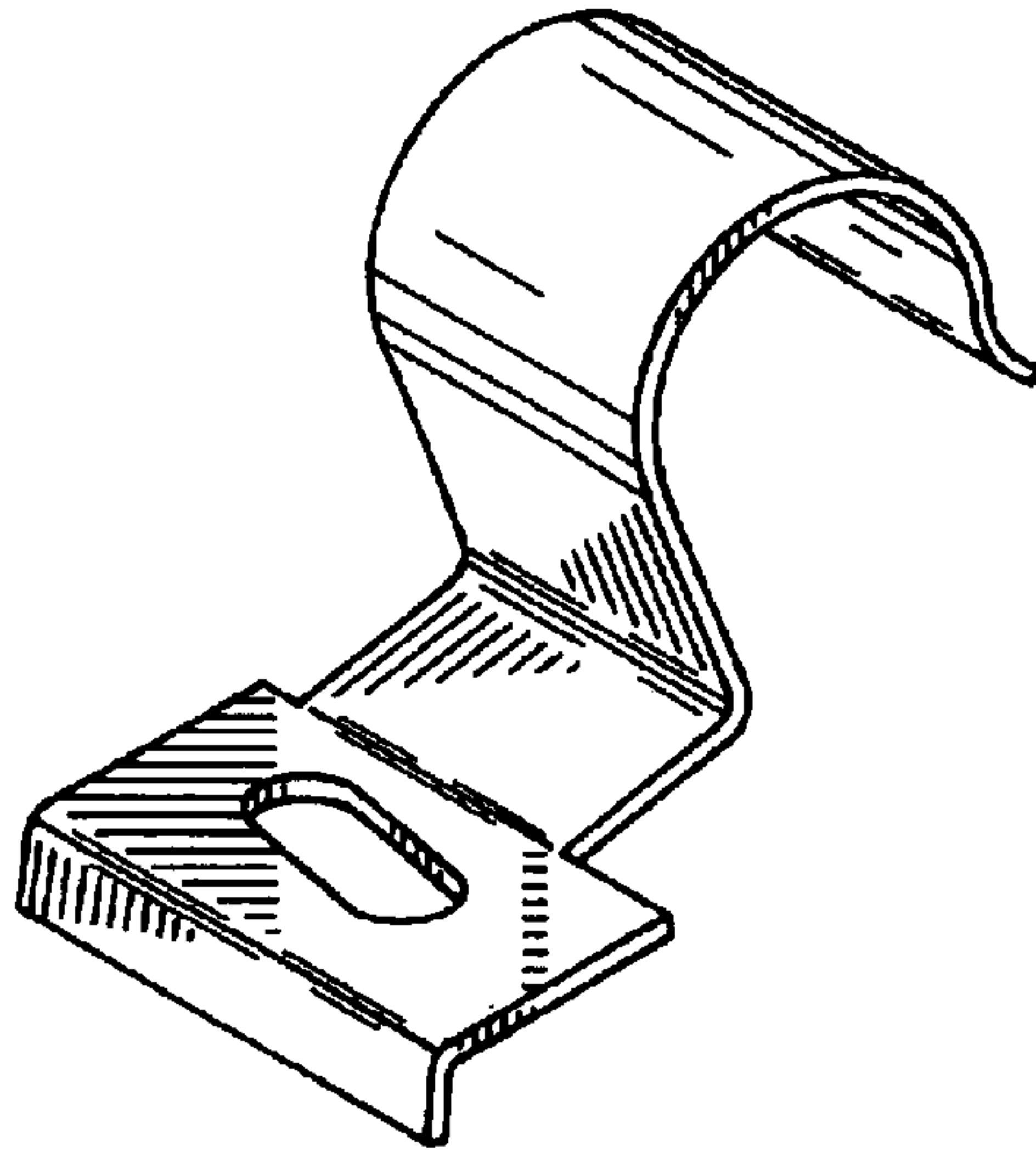


FIG. 1

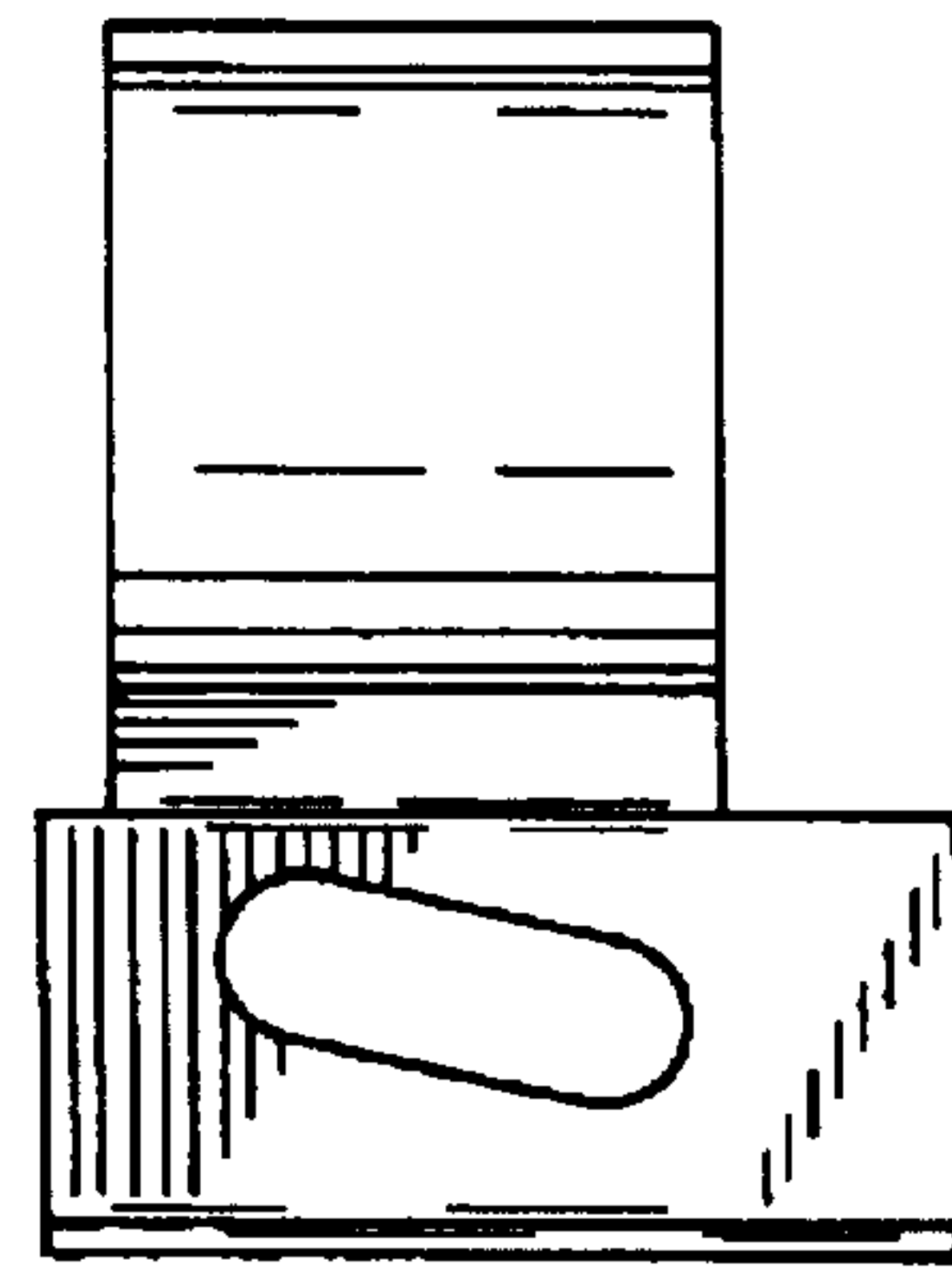


FIG. 3

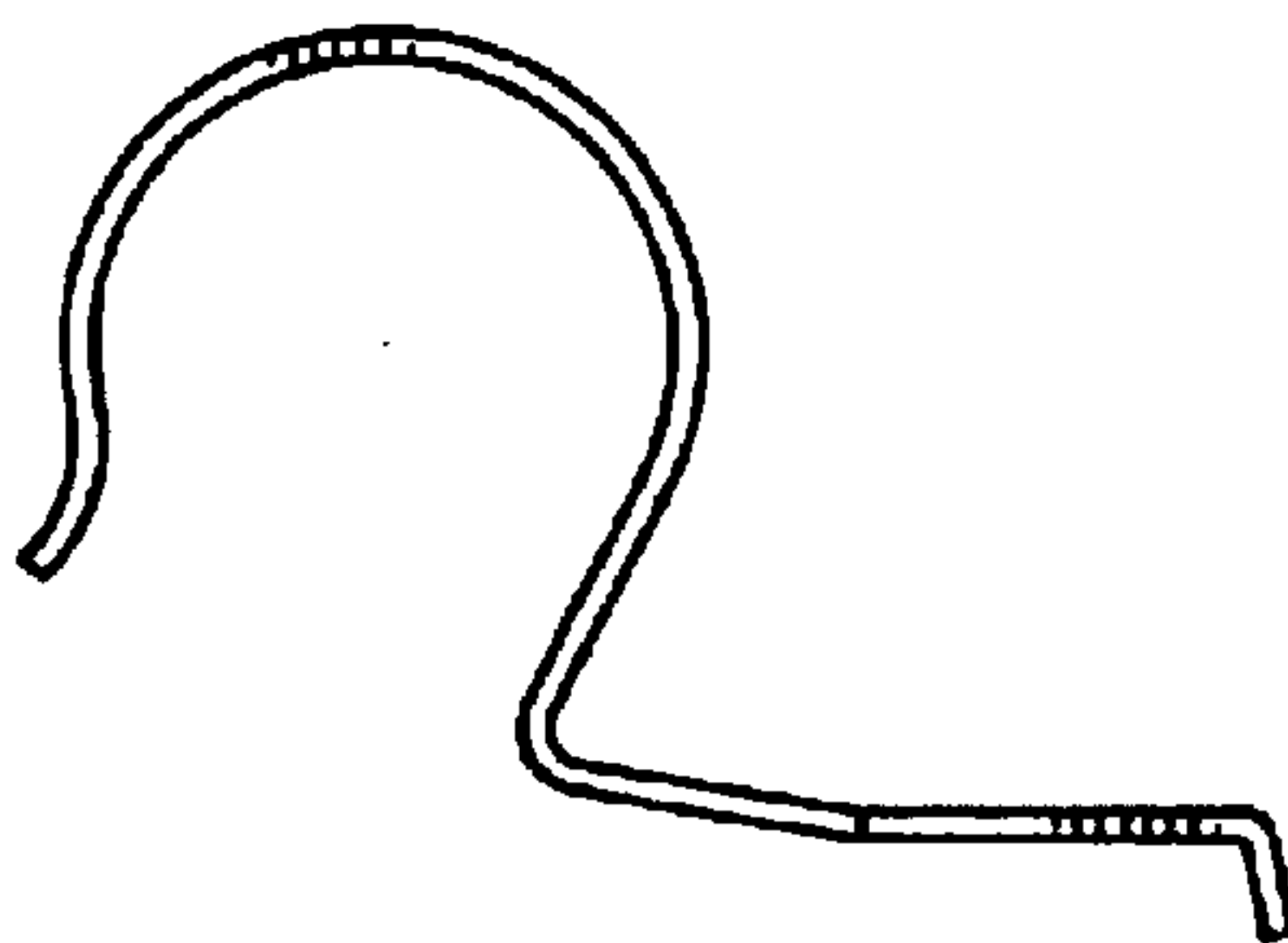


FIG. 4

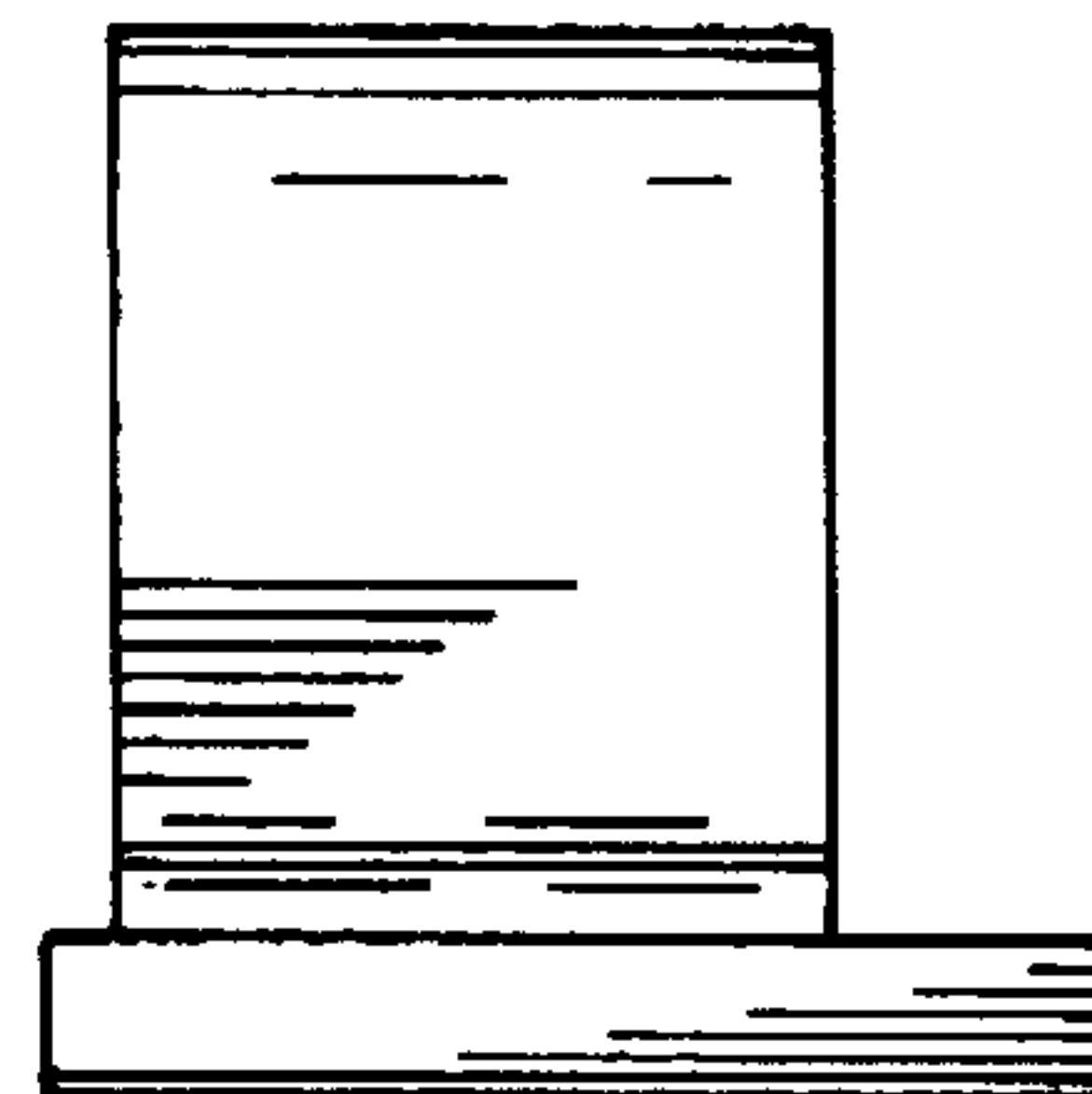


FIG. 2

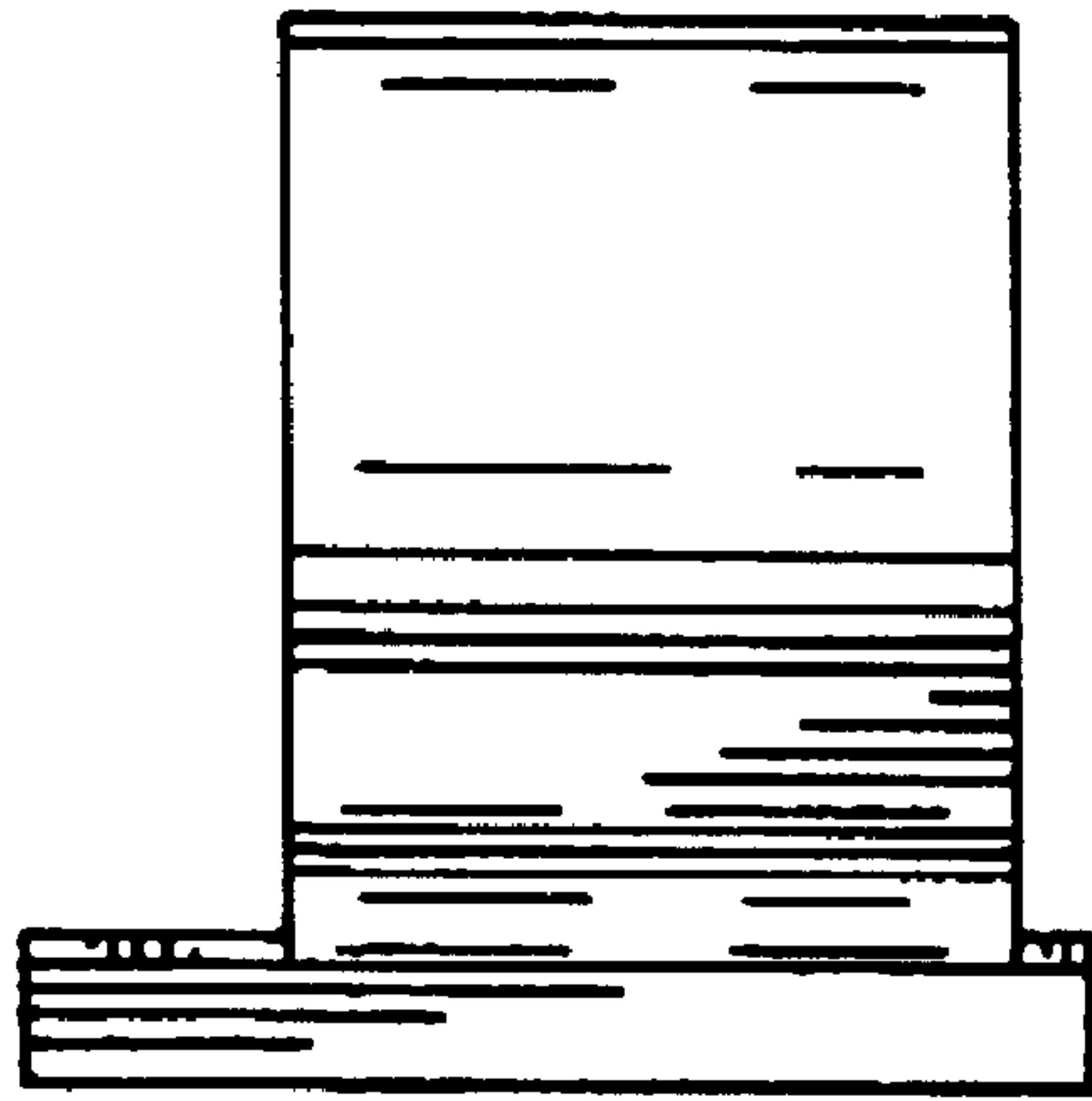


FIG. 5

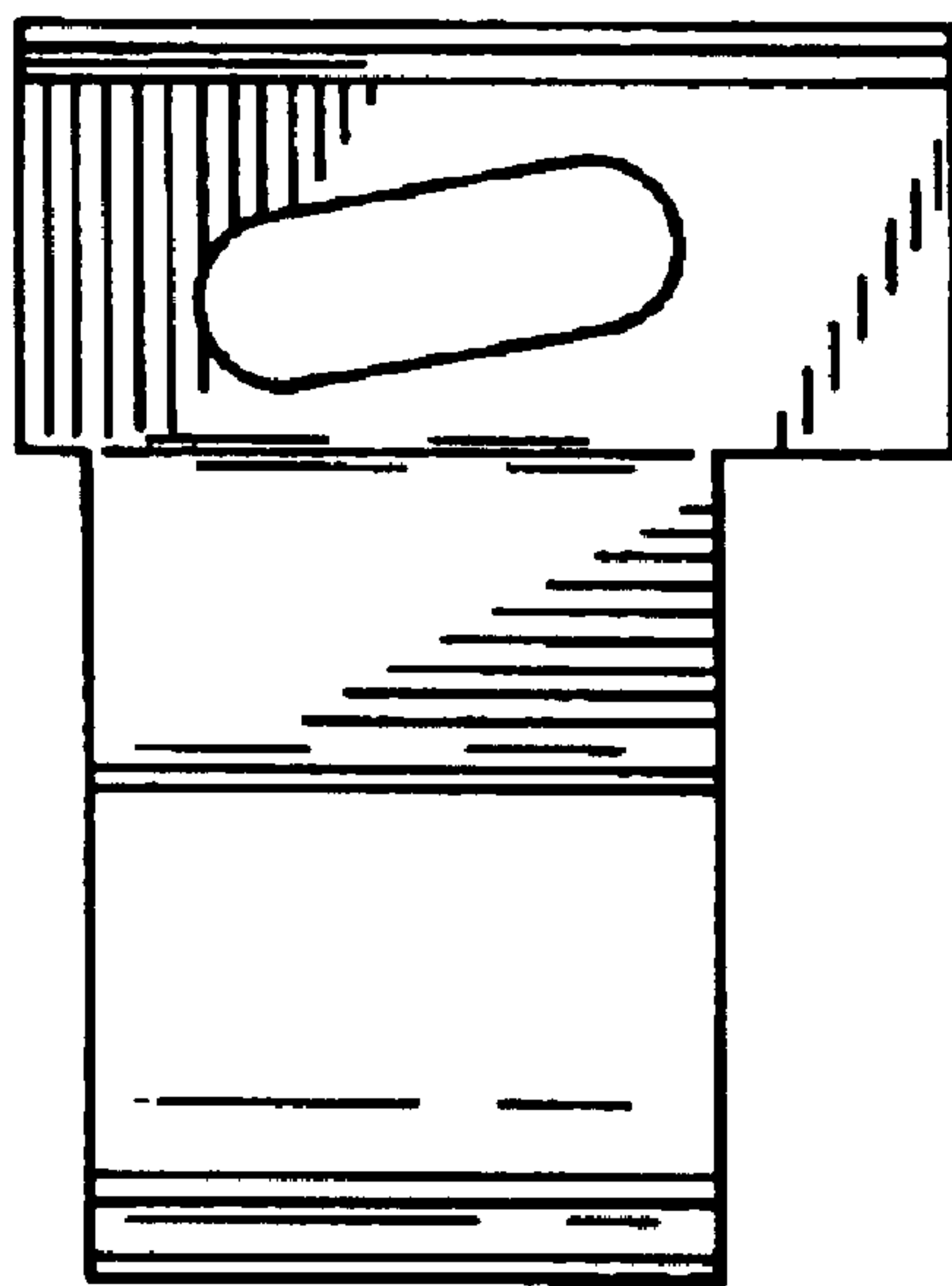


FIG. 6