



US00D491441S

(12) **United States Design Patent**
Sato et al.

(10) **Patent No.: US D491,441 S**

(45) **Date of Patent: ** Jun. 15, 2004**

(54) **LATCH HANDLE FOR REFRIGERATOR**

(75) Inventors: **Hidehiko Sato**, Osaka-fu (JP); **Akihiro Mochizuki**, Osaka-fu (JP); **Ken Wakiya**, Osaka-fu (JP)

(73) Assignees: **Sanyo Electric Co., Ltd.**, Osaka-fu (JP); **Sanyo Electric Biomedical Co., Ltd.**, Osaka-fu (JP)

(**) Term: **14 Years**

(21) Appl. No.: **29/180,719**

(22) Filed: **Apr. 29, 2003**

(30) **Foreign Application Priority Data**

Oct. 31, 2002 (JP) 2002-029765

(51) **LOC (7) Cl.** **08-03**

(52) **U.S. Cl.** **D8/331**

(58) **Field of Search** D8/330, 331, 339-343;
70/14, 58, 78, 258, 431; 292/2-5, DIG. 71,
281, 283, 288, 340; 280/507, 511, 512

(56) **References Cited**

U.S. PATENT DOCUMENTS

D229,479 S	*	12/1973	Boryani	D8/342
4,673,202 A	*	6/1987	Willis	292/162
D319,775 S	*	9/1991	MacFarlane	D8/331
D326,402 S	*	5/1992	Nicholoulis	D8/331
D344,881 S	*	3/1994	Sauerland	D8/331
5,927,771 A	*	7/1999	Simon et al.	292/241
D439,132 S	*	3/2001	Rechberg	D8/339
D457,113 S	*	5/2002	Zapushek et al.	D12/162

* cited by examiner

Primary Examiner—Prabhakar Deshmukh
(74) *Attorney, Agent, or Firm*—Weingarten, Schurgin, Gagniebin & Lebovici LLP

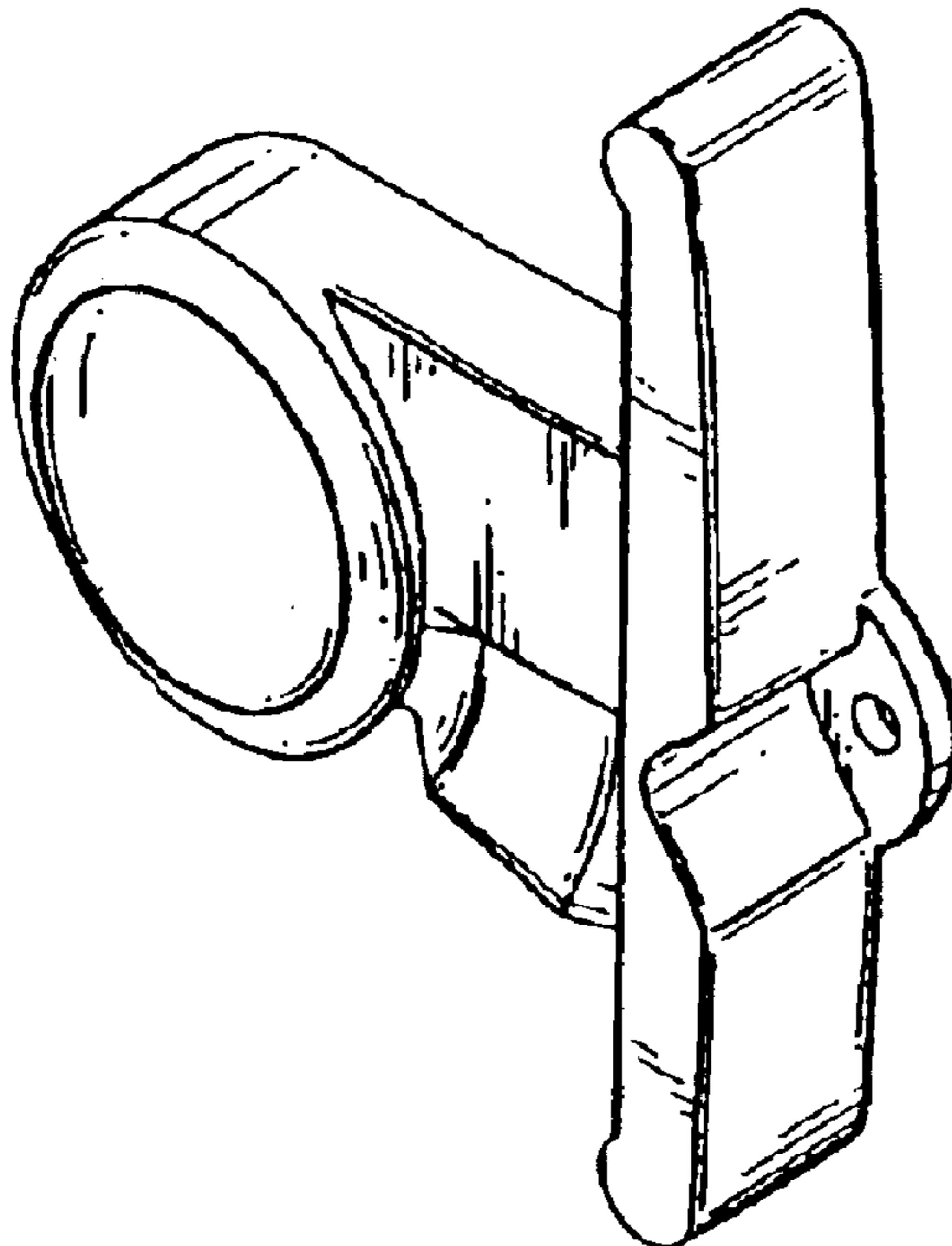
(57) **CLAIM**

The ornamental design for latch handle for refrigerator, as shown.

DESCRIPTION

FIG. 1 is a perspective view of latch handle for refrigerator looking from a right-side view thereof;
 FIG. 2 is a perspective view of latch handle for refrigerator looking from a left side view thereof;
 FIG. 3 is a perspective view of latch handle for refrigerator looking from a left-side under direction thereof
 FIG. 4 is a front view thereof;
 FIG. 5 is a rear view thereof;
 FIG. 6 is a right-side view thereof;
 FIG. 7 is a left-side view thereof;
 FIG. 8 is a top view thereof;
 FIG. 9 is a bottom view thereof;
 FIG. 10 is a left-side view of latch handle for refrigerator looking from a left-side upper direction thereof;
 FIG. 11 is a reference view (1) of latch handle for refrigerator showing the status of use of latch handle thereof; and,
 FIG. 12 is a reference view (2) of latch handle for refrigerator showing the status of use of latch handle thereof.
 The broken lines showing of refrigerator and other fixtures in FIGS. 10-12 are for illustrative purpose only and form no part of the claimed design.

1 Claim, 5 Drawing Sheets



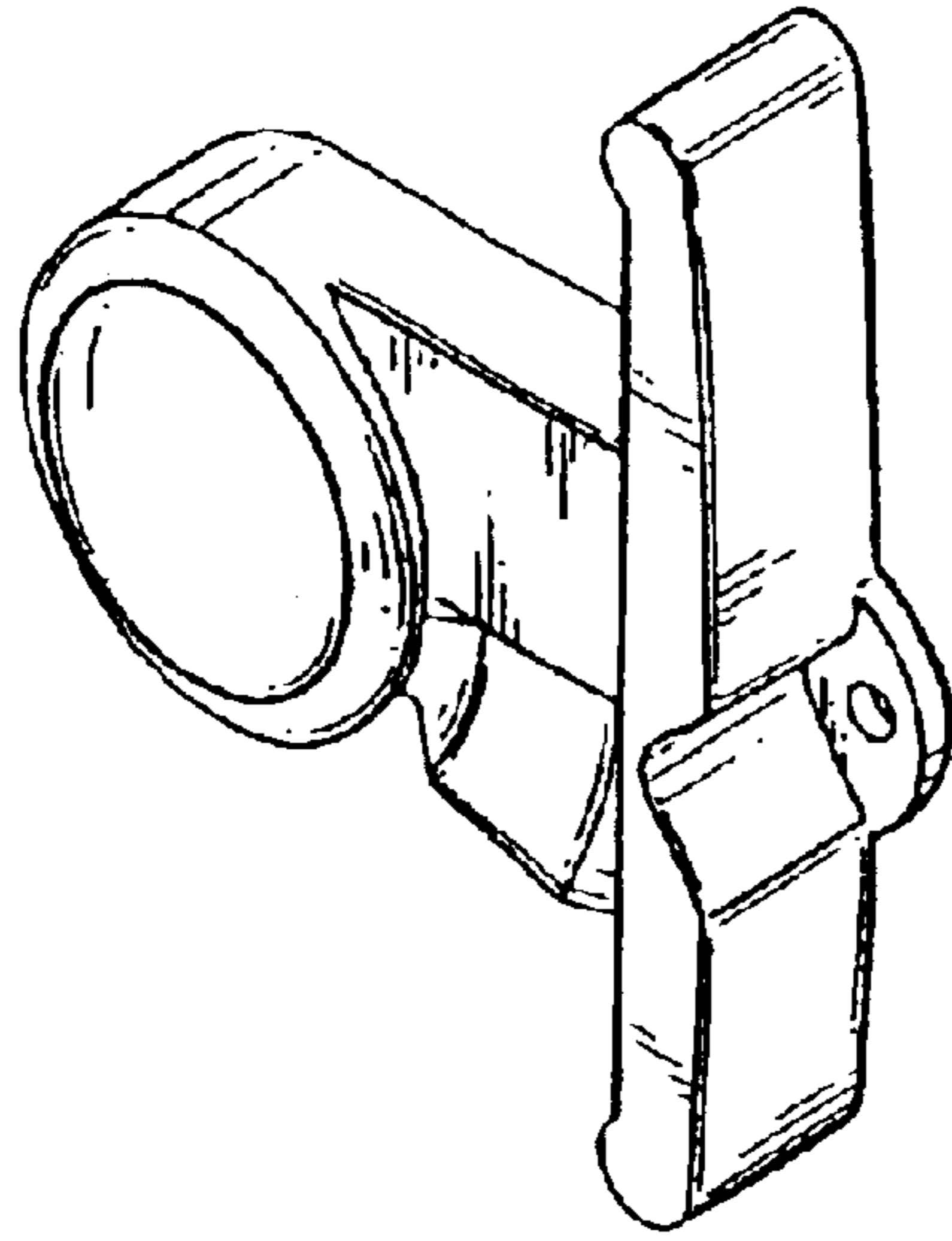


Fig. 1

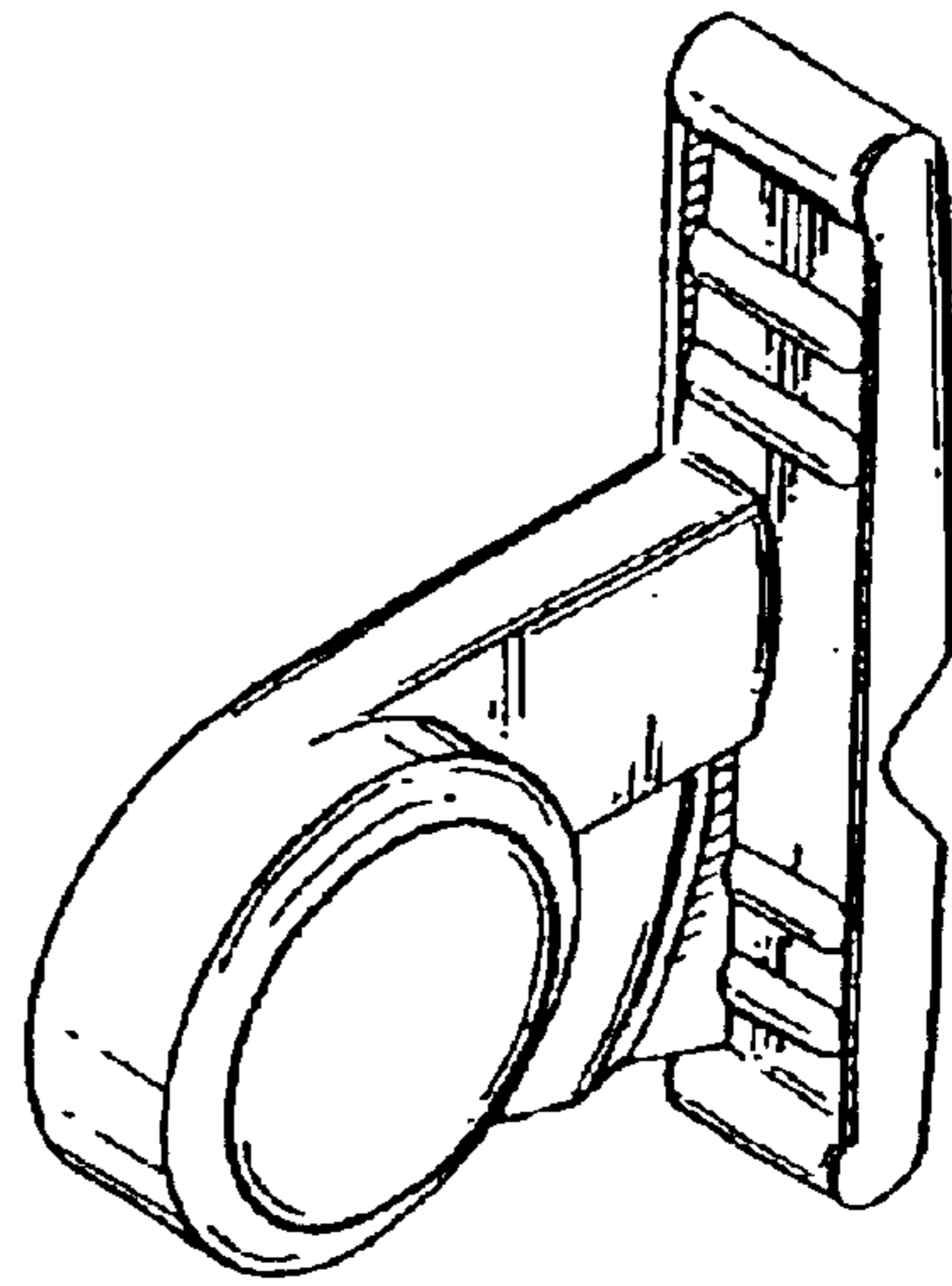


Fig. 2

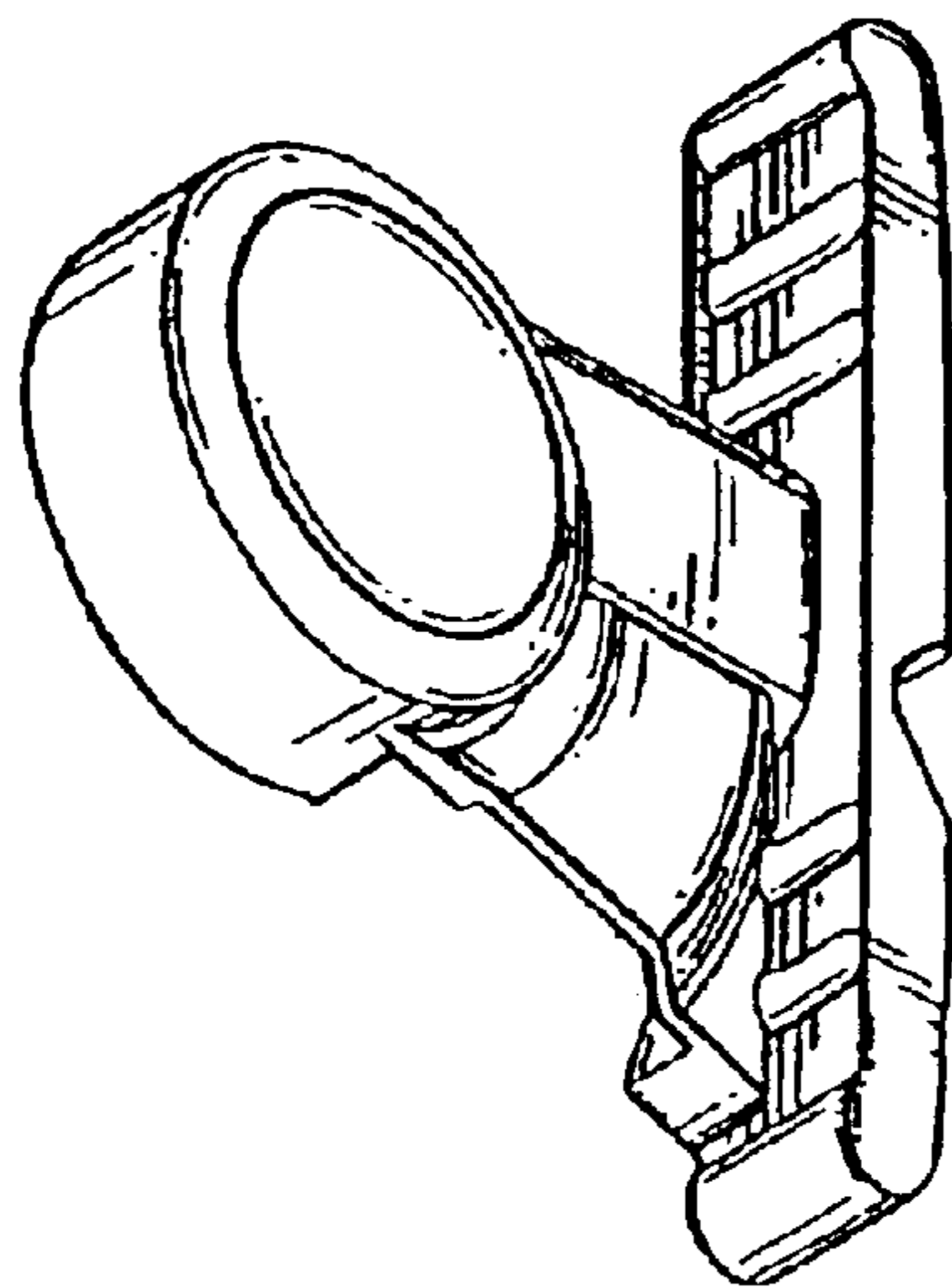


Fig. 3

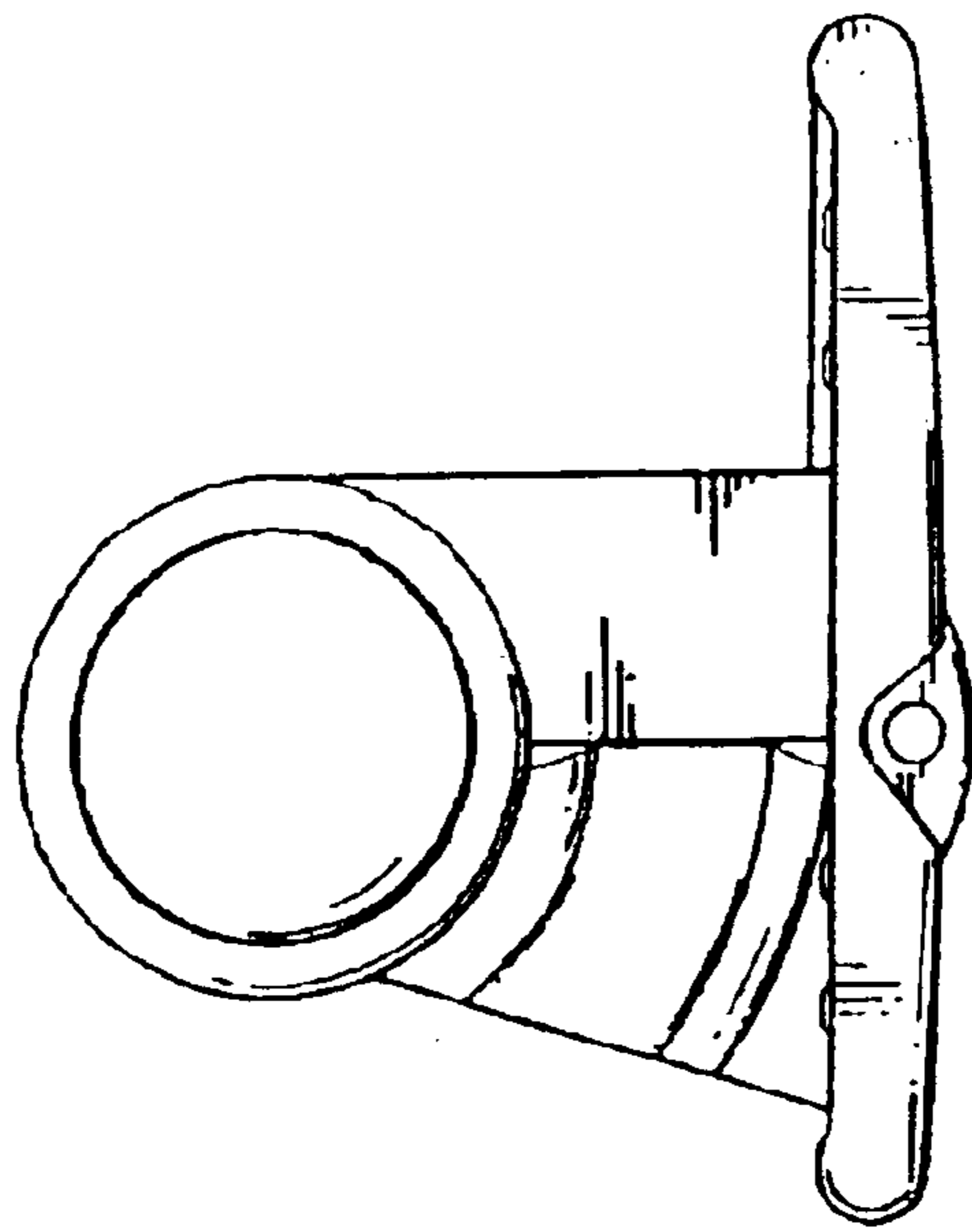


Fig. 4

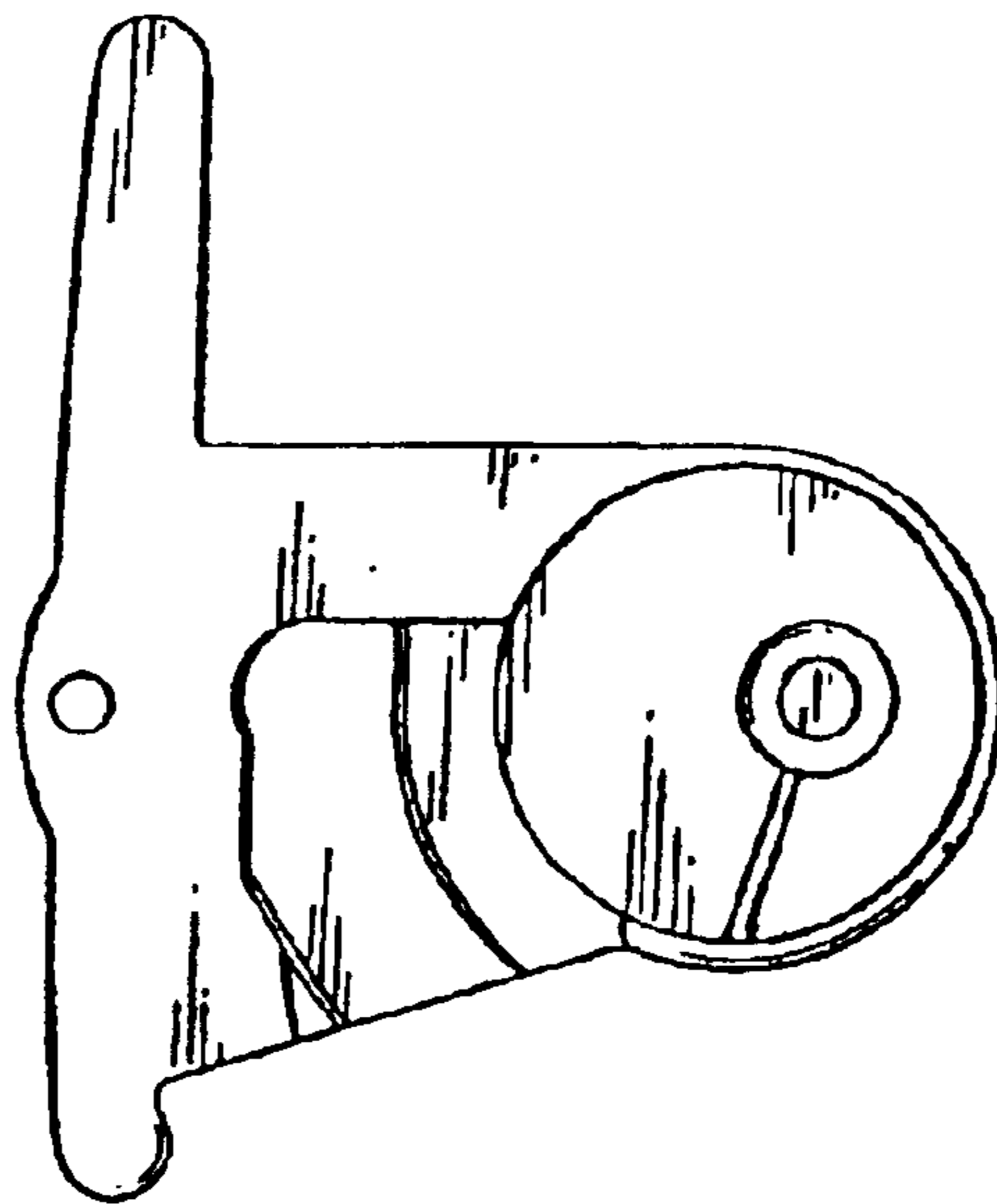


Fig. 5

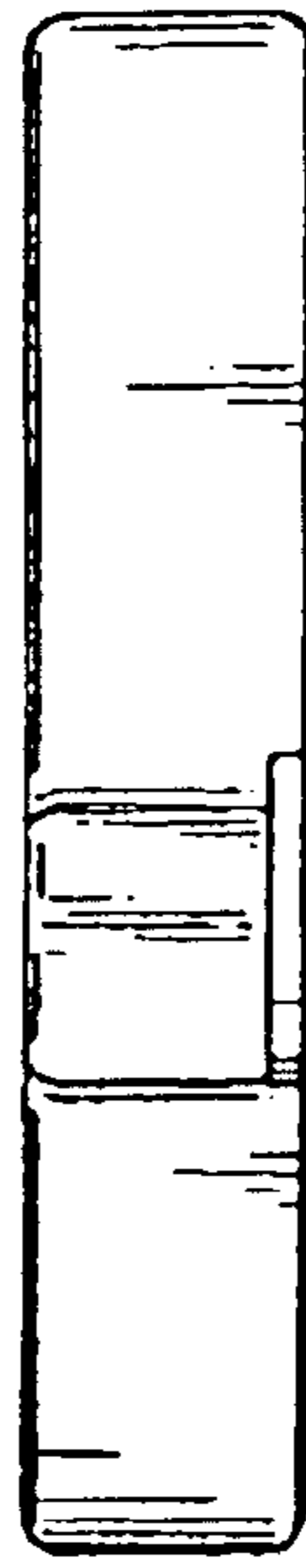


Fig. 6



Fig. 7

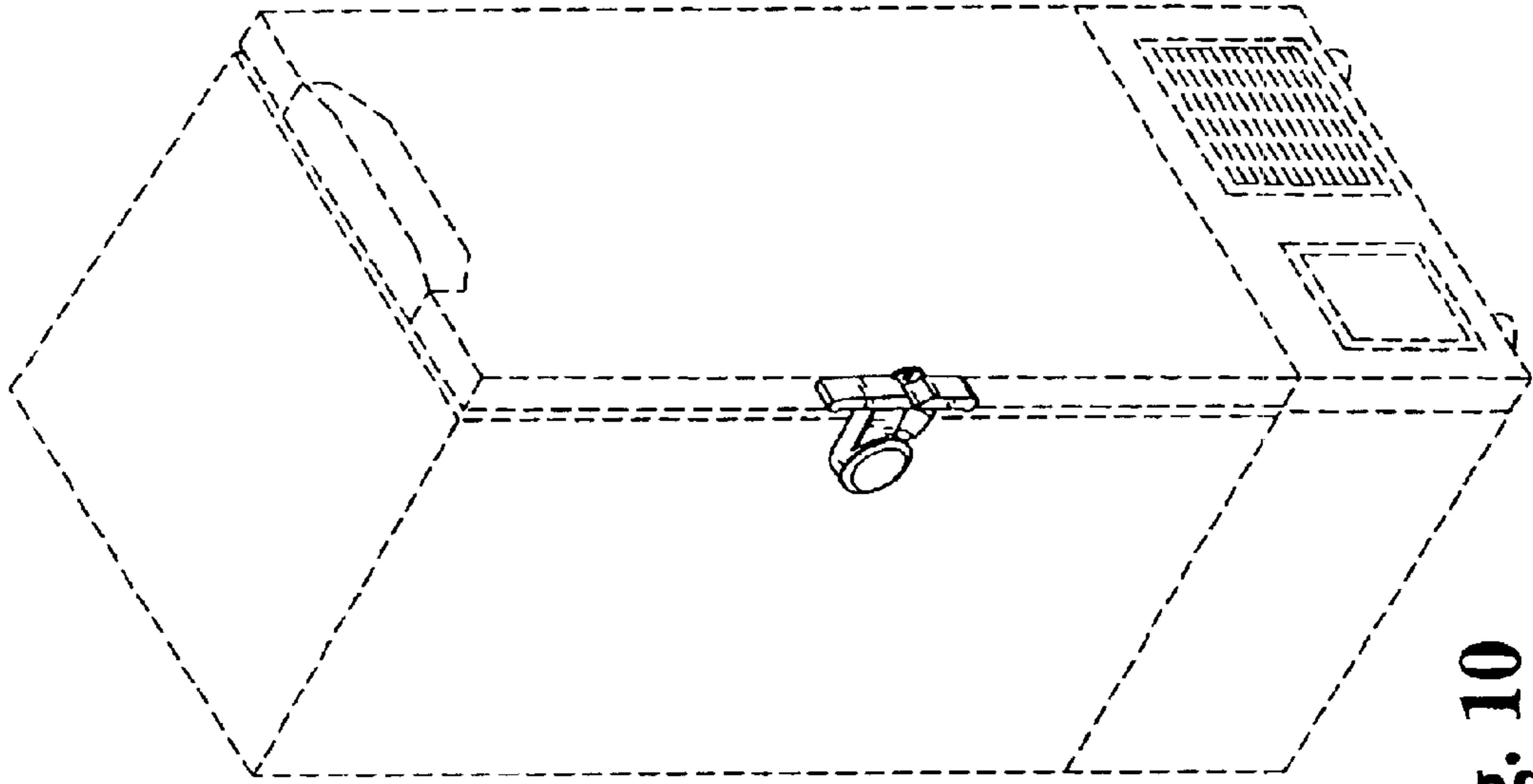


Fig. 10

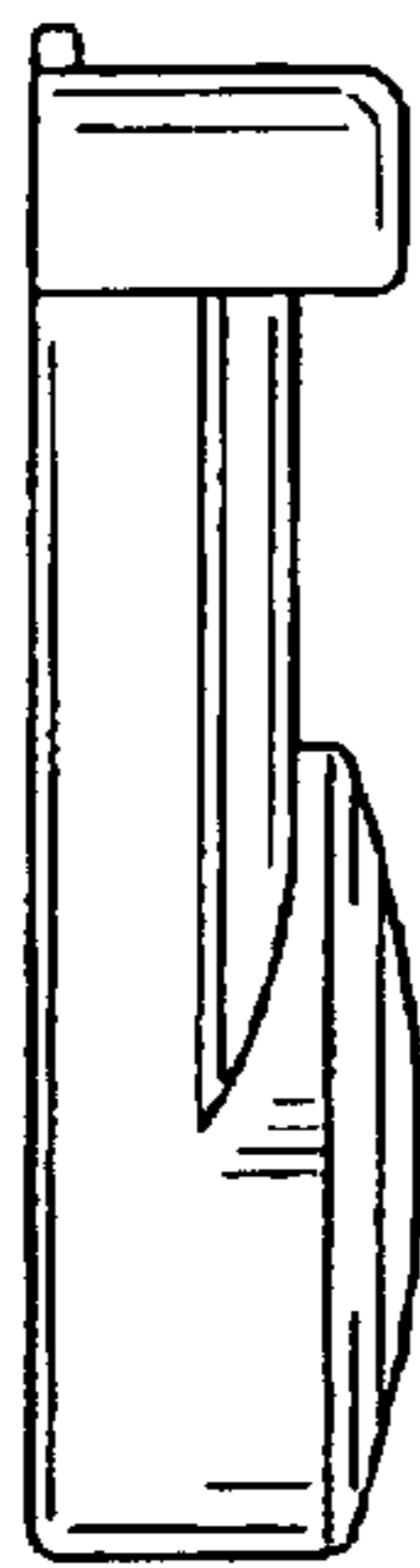


Fig. 8

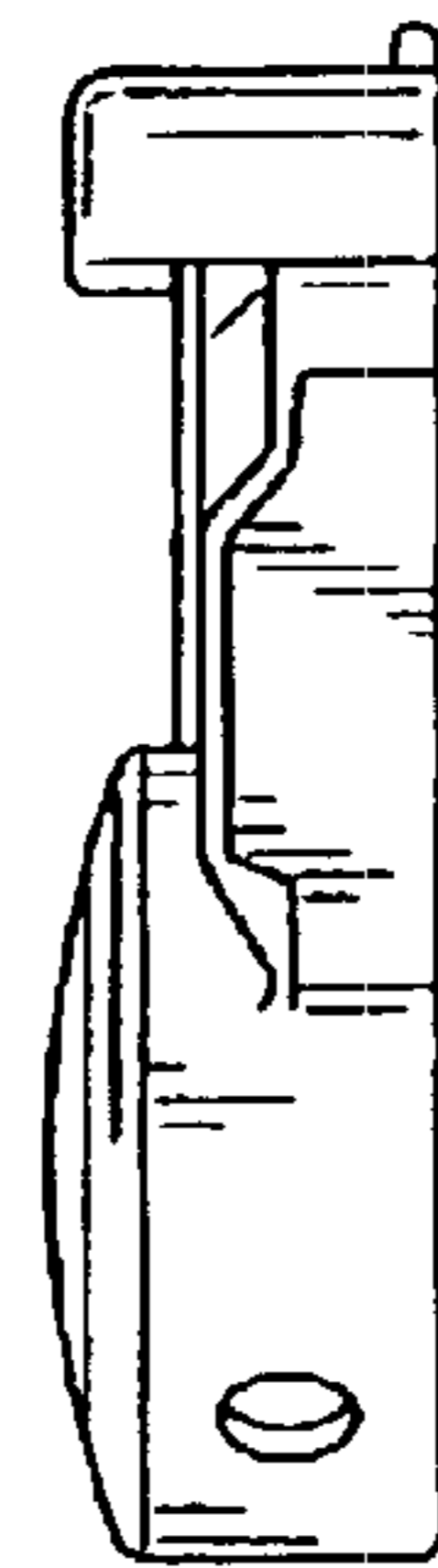


Fig. 9

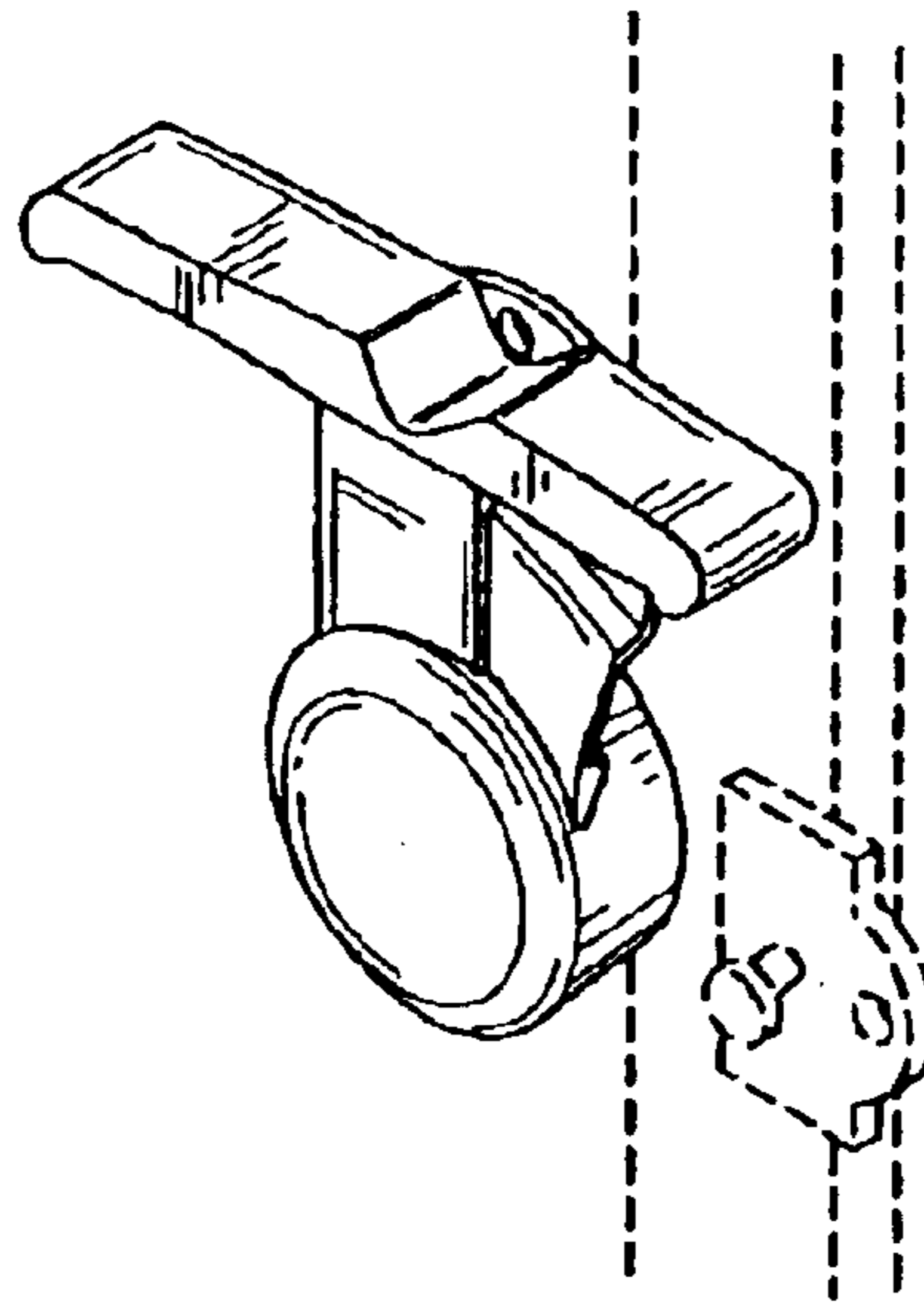


Fig. 11

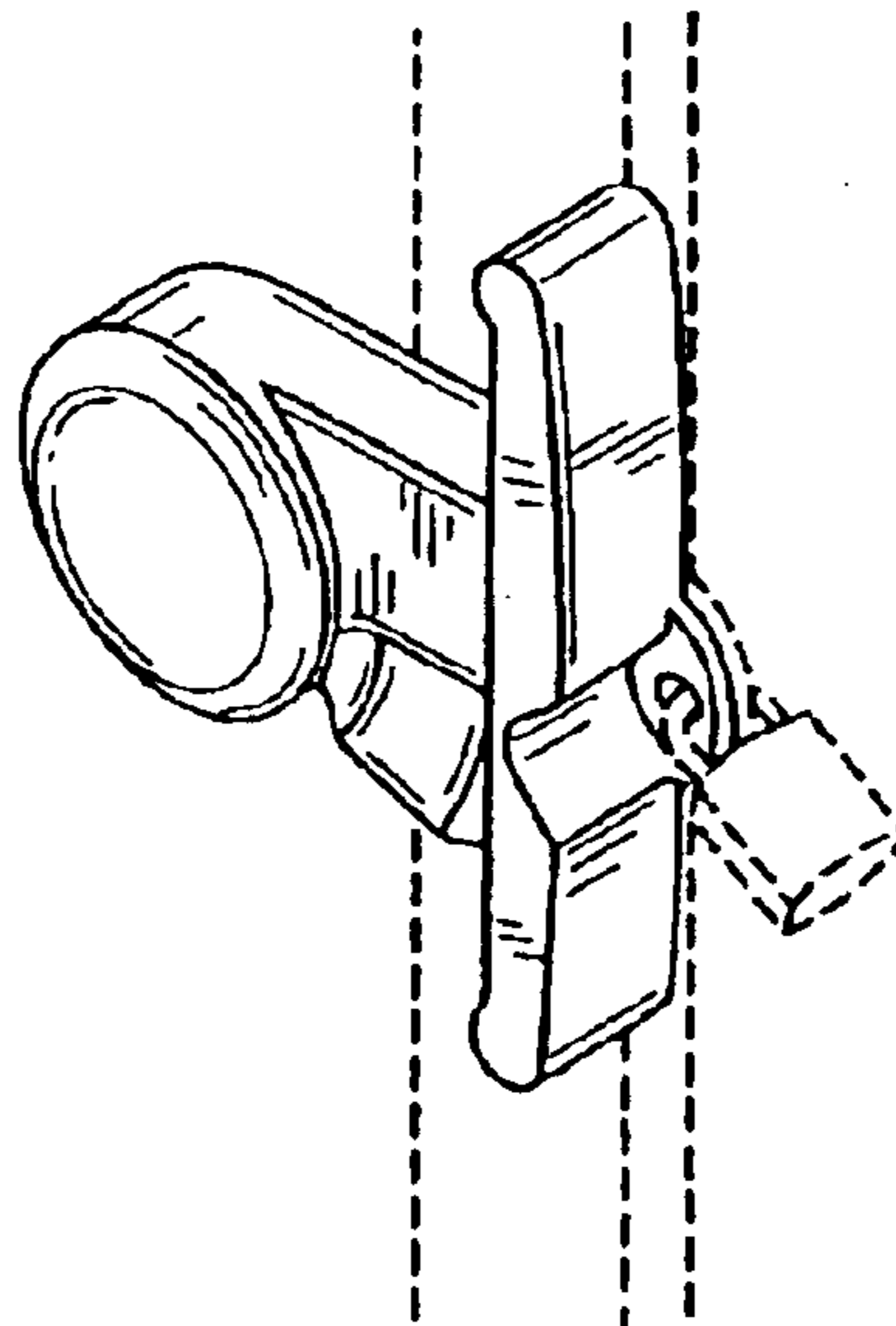


Fig. 12