



US00D491438S

(12) **United States Design Patent**
Cheung et al.

(10) **Patent No.:** **US D491,438 S**

(45) **Date of Patent:** **** Jun. 15, 2004**

(54) **HAMMER DRILL**

(75) **Inventors:** **Benson Chun Kit Cheung**, Hong Kong (CN); **Daniel Alex Chunn**, Hong Kong (CN); **Thomas Kam Kee Wong**, Kowloon (HK)

(73) **Assignee:** **One World Technologies, Limited**, Hamilton (BM)

(**) **Term:** **14 Years**

(21) **Appl. No.:** **29/188,035**

(22) **Filed:** **Aug. 12, 2003**

(51) **LOC (7) Cl.** **08-01**

(52) **U.S. Cl.** **D8/68**

(58) **Field of Search** 408/20, 124, 125, 408/234, 241 R; 451/358; D8/14.1, 61, 62, 63, 64, 65, 66, 67, 68, 69, 70; 81/57.11, 429, 464, 465, 466, 469, 489; 173/13, 169, 178, 213, 217; 227/8, 114, 120, 130, 136, 142; 310/50

D395,586 S	*	6/1998	Arakawa et al.	D8/69
D396,395 S		7/1998	Zurwelle	D8/68
D406,511 S		3/1999	Zurwelle	D8/68
D406,741 S		3/1999	Zurwelle	D8/68
D406,742 S		3/1999	Schoen et al.	D8/68
5,881,823 A	*	3/1999	Kabatnik et al.	310/50
D439,123 S		3/2001	Sakai et al.	D8/68
D442,452 S	*	5/2001	Stirm et al.	D8/67
6,223,835 B1	*	5/2001	Habedank et al.	173/217
D447,032 S	*	8/2001	Schoen et al.	D8/67
6,357,533 B1	*	3/2002	Buchholz et al.	173/217
6,412,572 B2	*	7/2002	Habedank et al.	310/50
6,415,875 B1	*	7/2002	Meixner et al.	173/217
D470,737 S		2/2003	Chunn	D8/68

* cited by examiner

Primary Examiner—James Gandy

Assistant Examiner—T. Chase Nelson

(74) *Attorney, Agent, or Firm*—John B. Hardaway, III; Nexsen Pruet, LLC

(57) **CLAIM**

The ornamental design for a hammer drill, as shown and described.

DESCRIPTION

FIG. 1 is a front perspective view of the hammer drill of the present invention;

FIG. 2 is a rear perspective view thereof;

FIG. 3 is a right side elevational view thereof;

FIG. 4 is a left side elevational view thereof;

FIG. 5 is a front end view thereof;

FIG. 6 is a rear end view thereof;

FIG. 7 is a top view thereof; and,

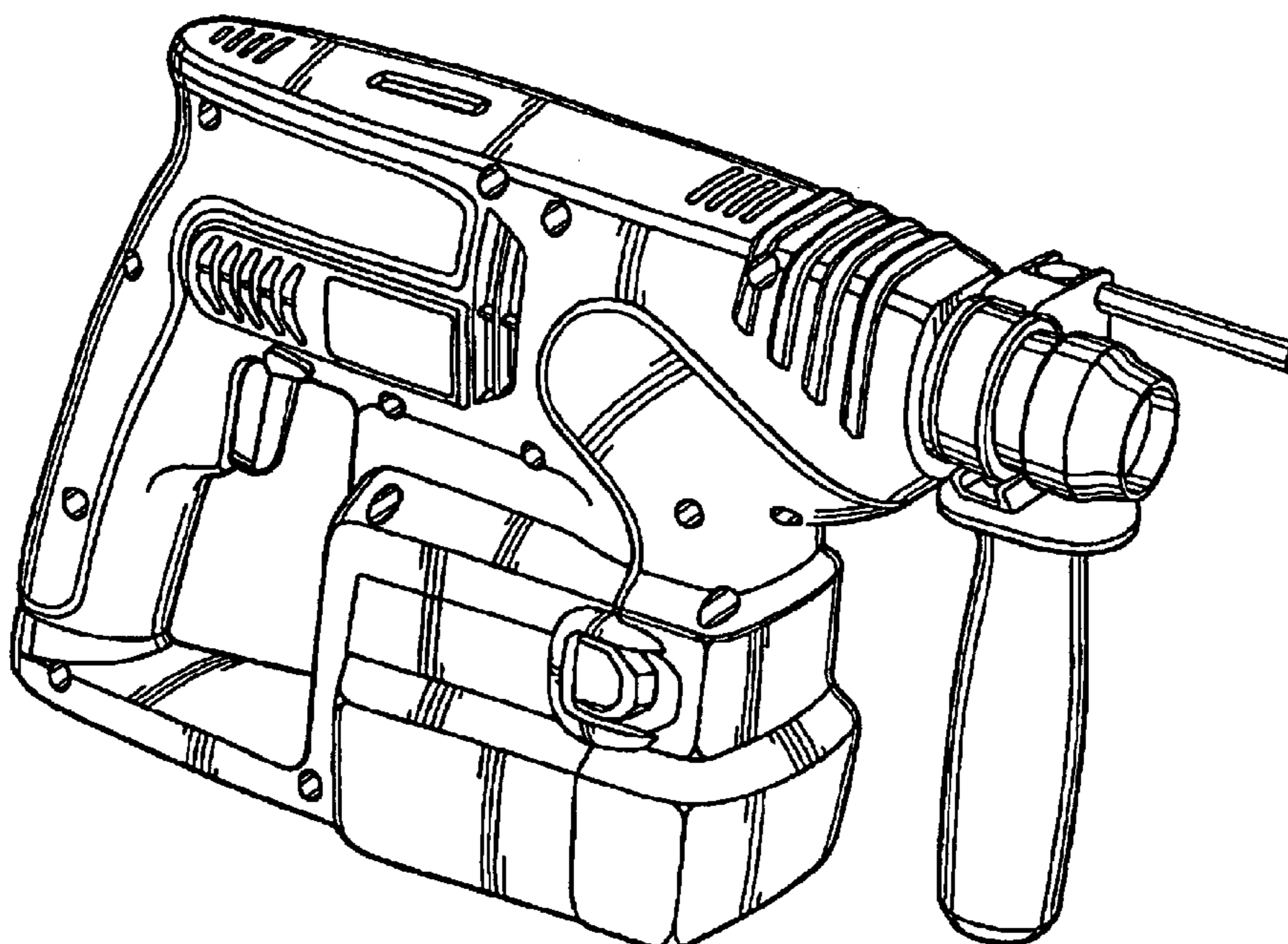
FIG. 8 is a bottom view thereof.

(56) **References Cited**

U.S. PATENT DOCUMENTS

D279,862 S	7/1985	Sato et al.	D8/61
D279,957 S	8/1985	Akazaw et al.	D8/61
D280,797 S	10/1985	Sakamoto et al.	D8/61
4,689,534 A	8/1987	Gerber et al.	310/50
D310,936 S	* 10/1990	Saito et al.	D8/69
D320,918 S	* 10/1991	Mochida	D8/68
5,056,607 A	10/1991	Sanders	173/217
D332,208 S	1/1993	Sakamoto et al.	D8/68
D339,727 S	9/1993	Kikuchi	D8/68
5,671,815 A	* 9/1997	Kabatnik et al.	173/217

1 Claim, 4 Drawing Sheets



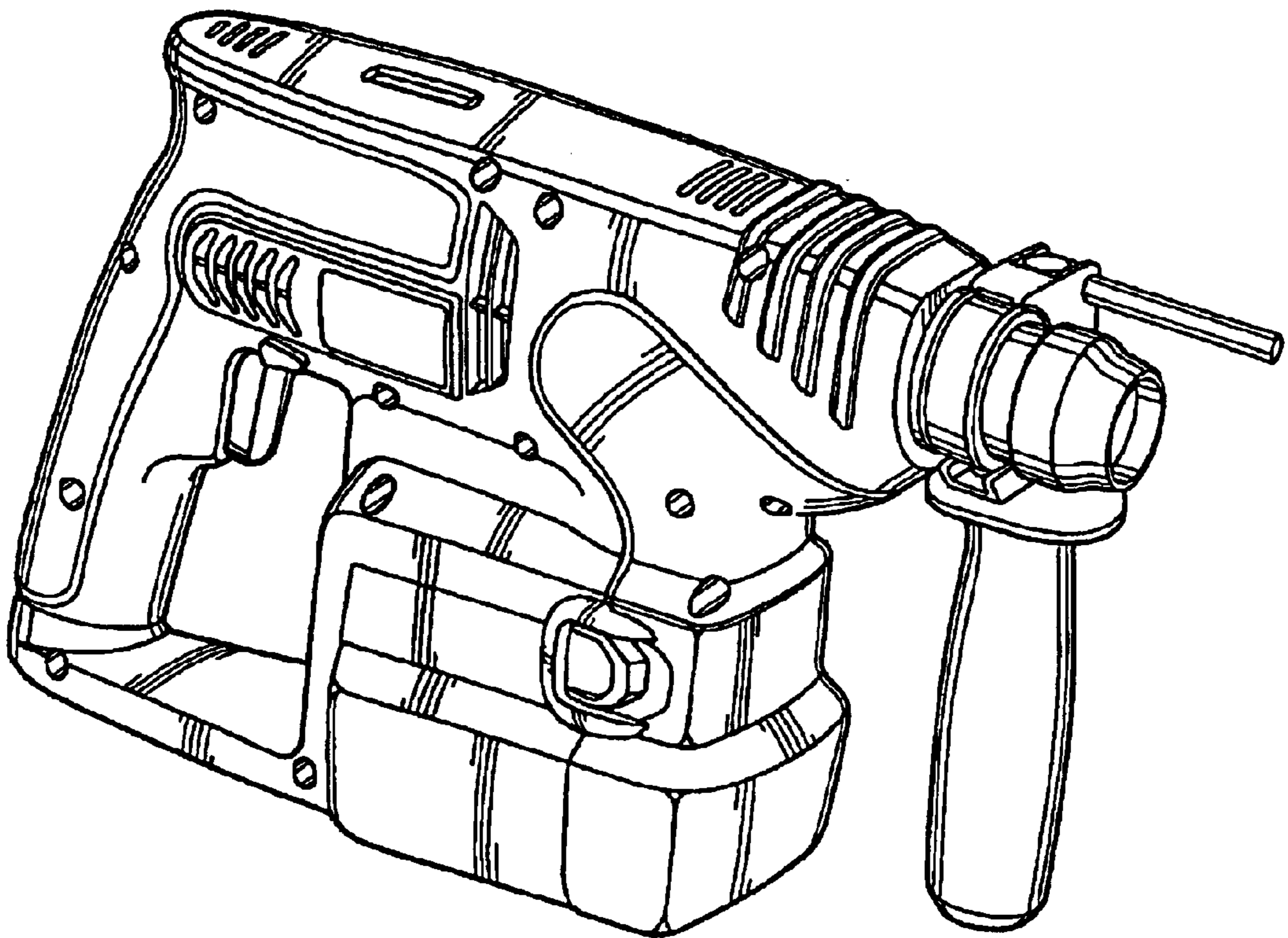


FIG. 1

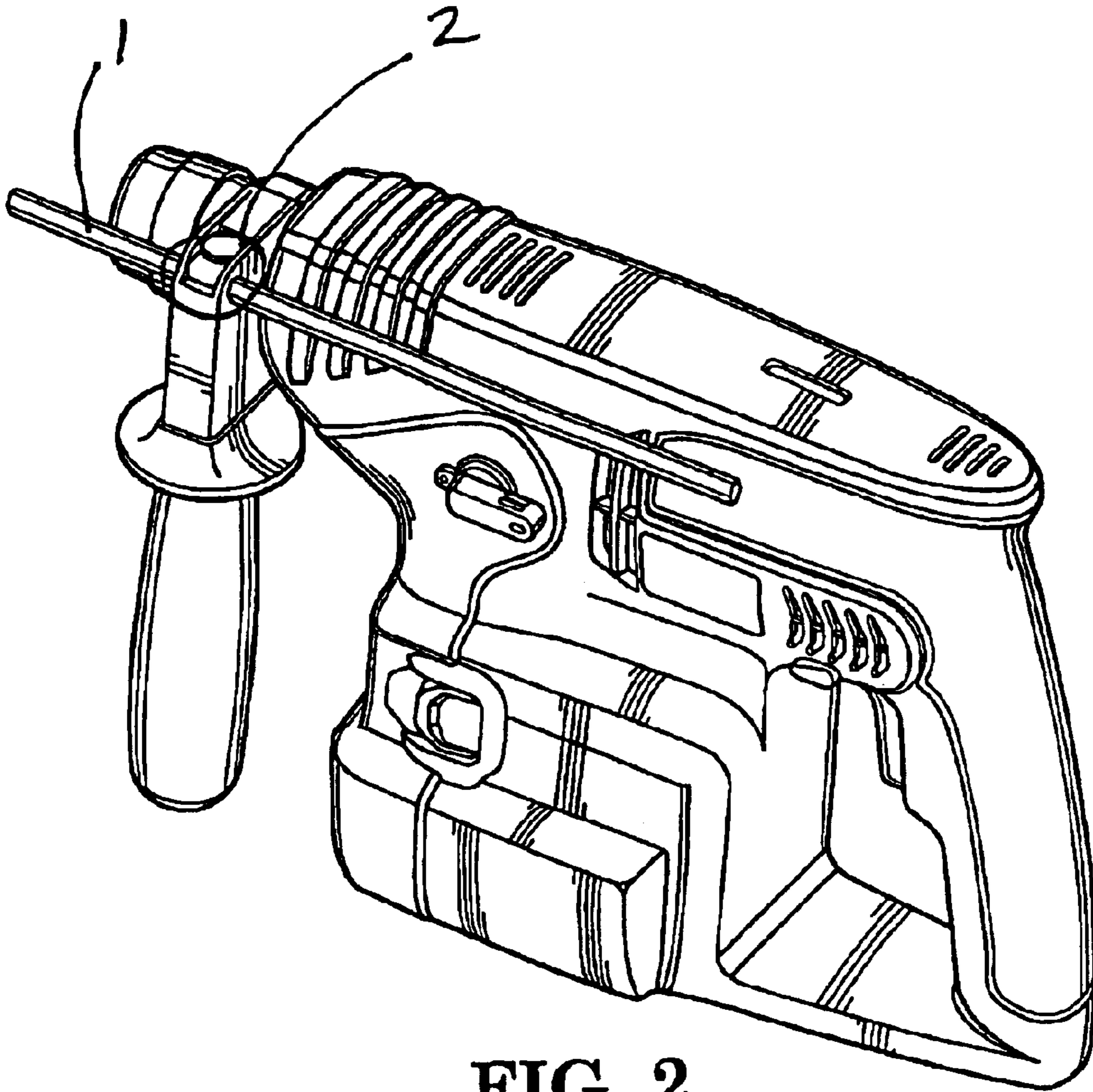


FIG. 2

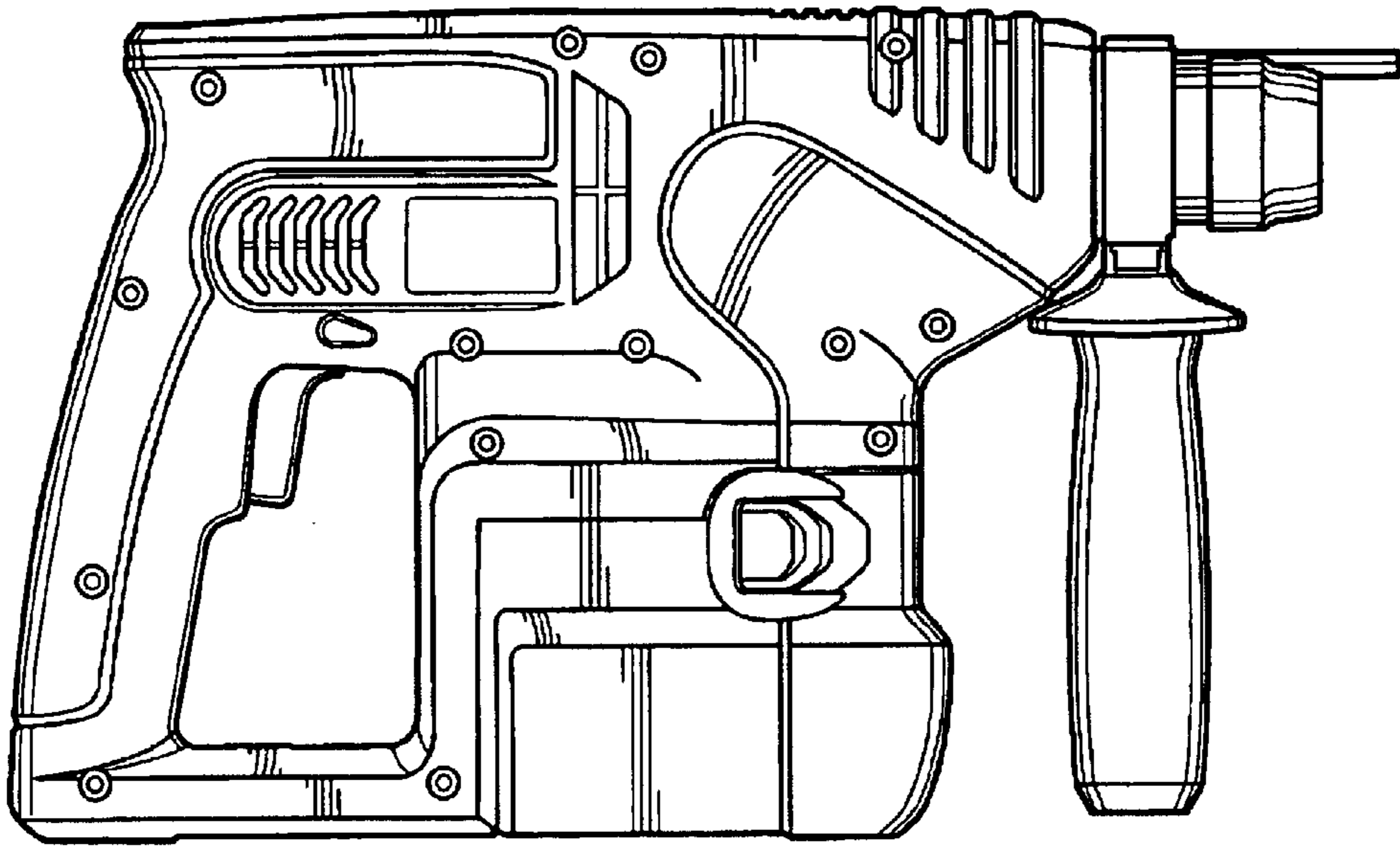


FIG. 3

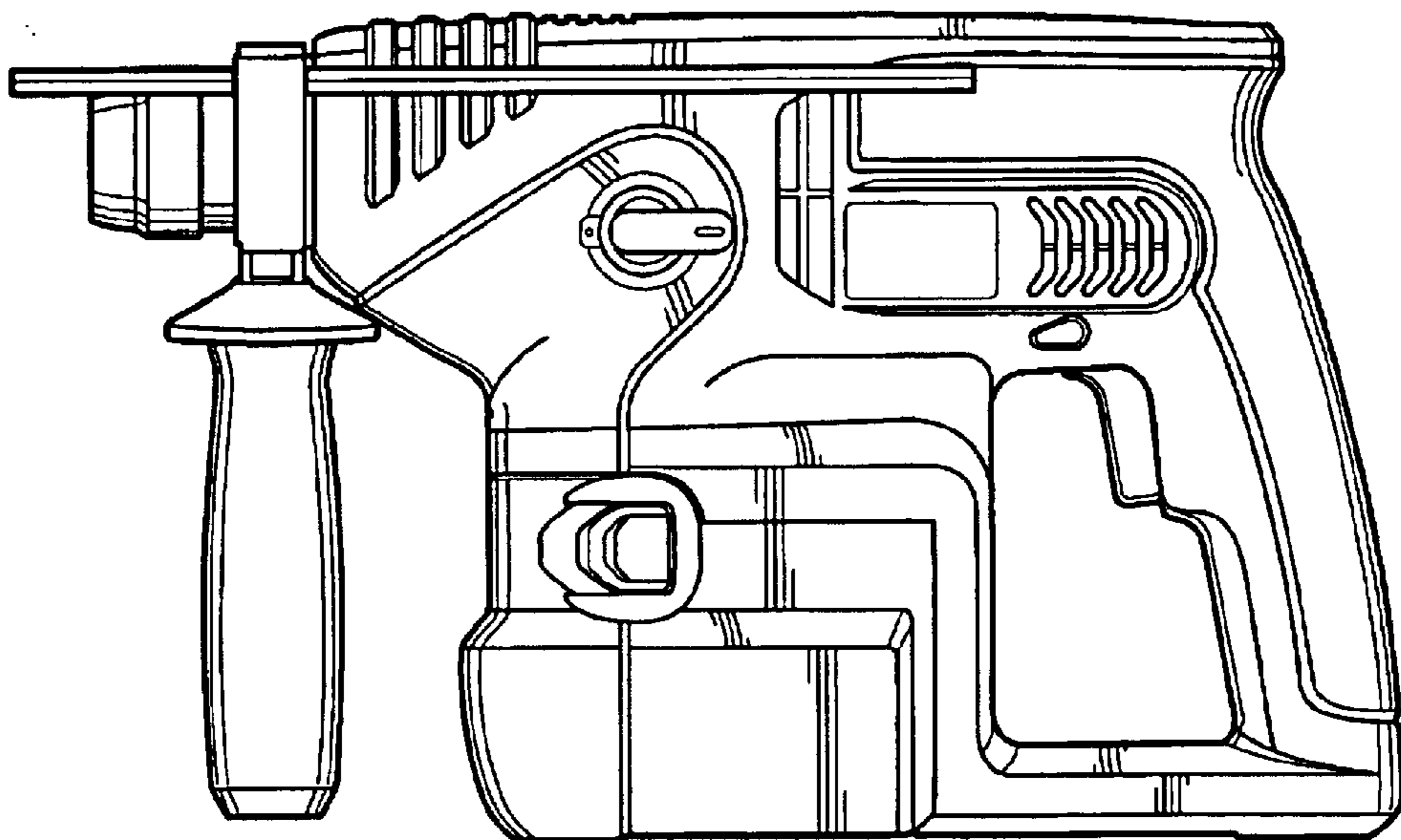


FIG. 4

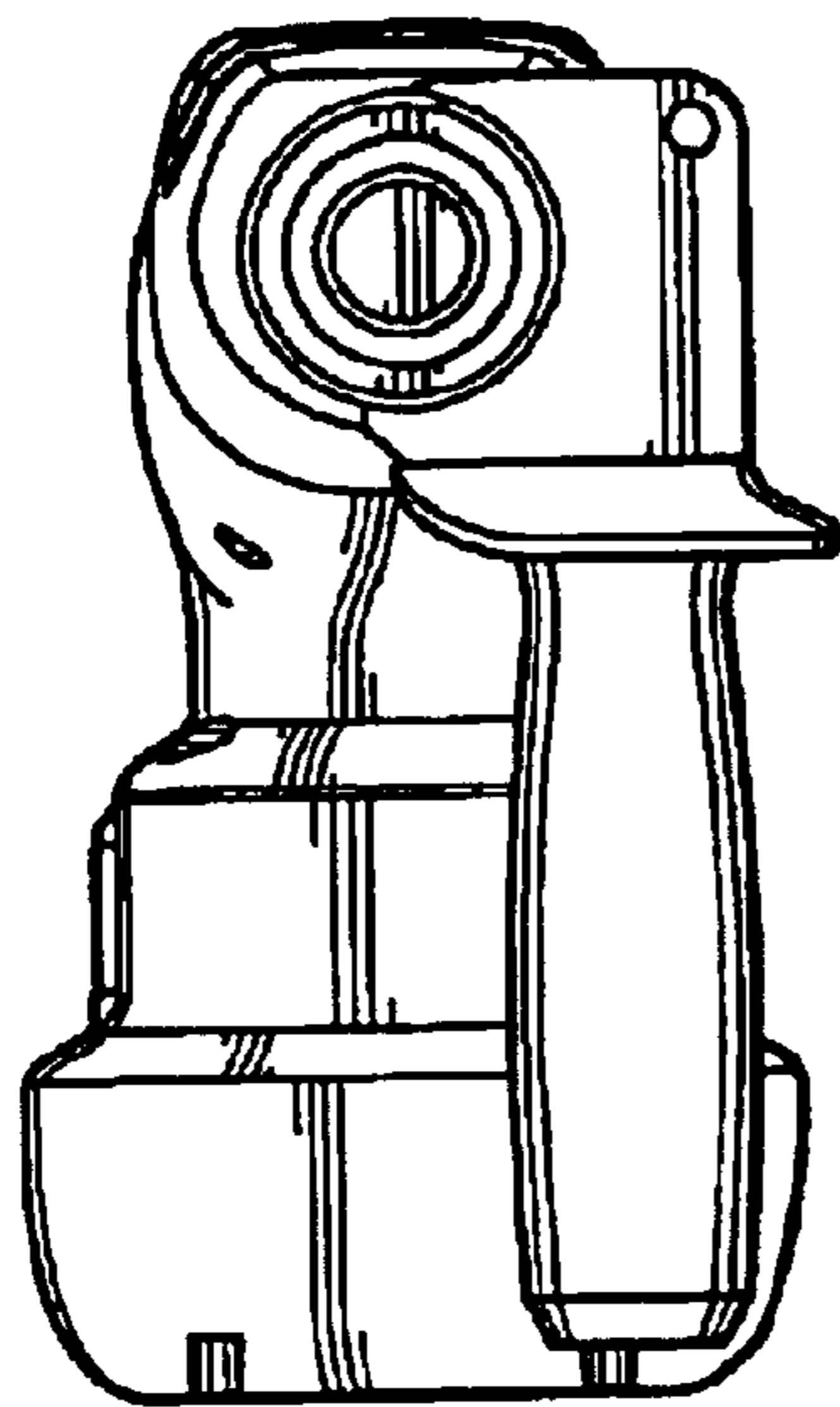


FIG. 5

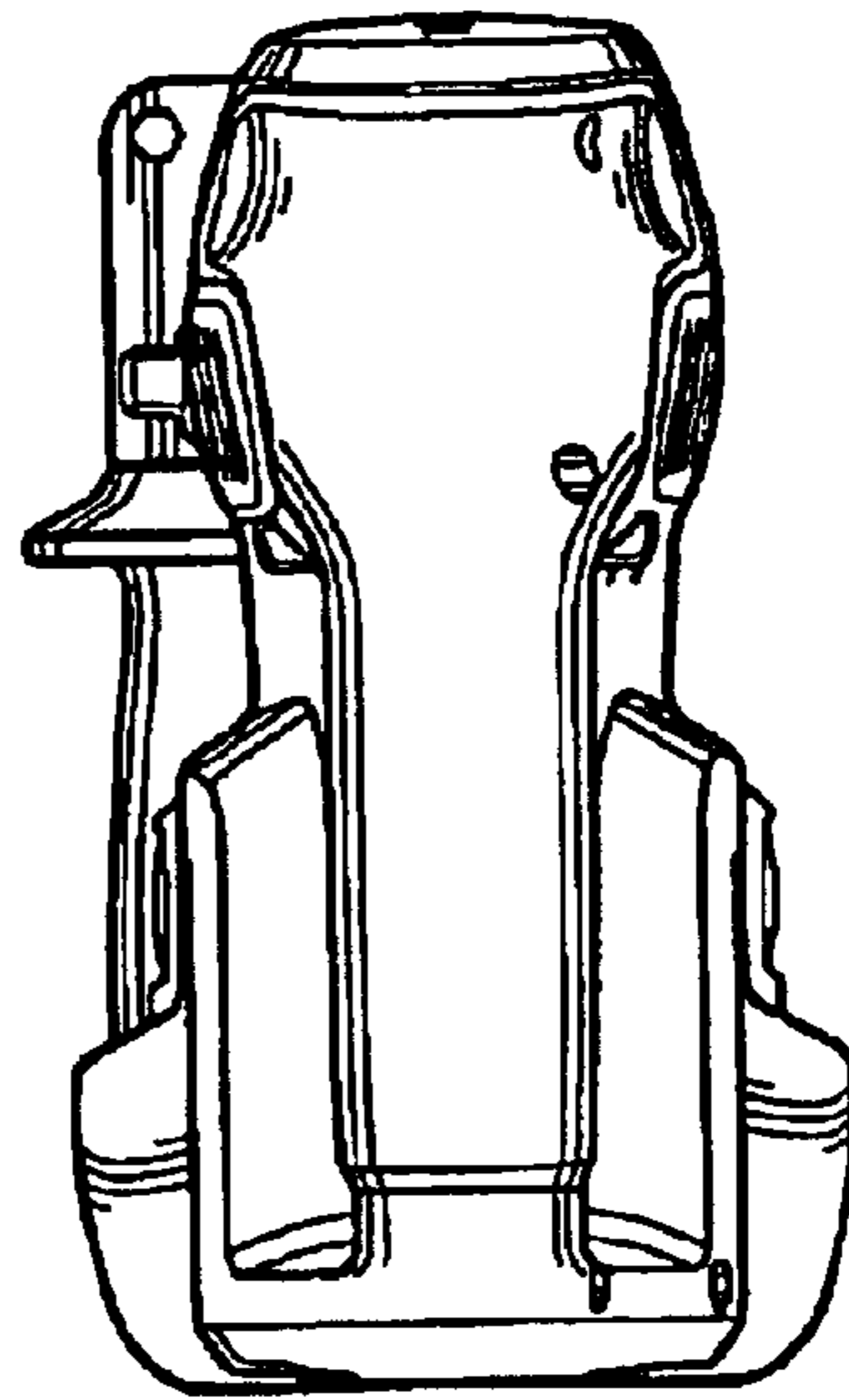


FIG. 6

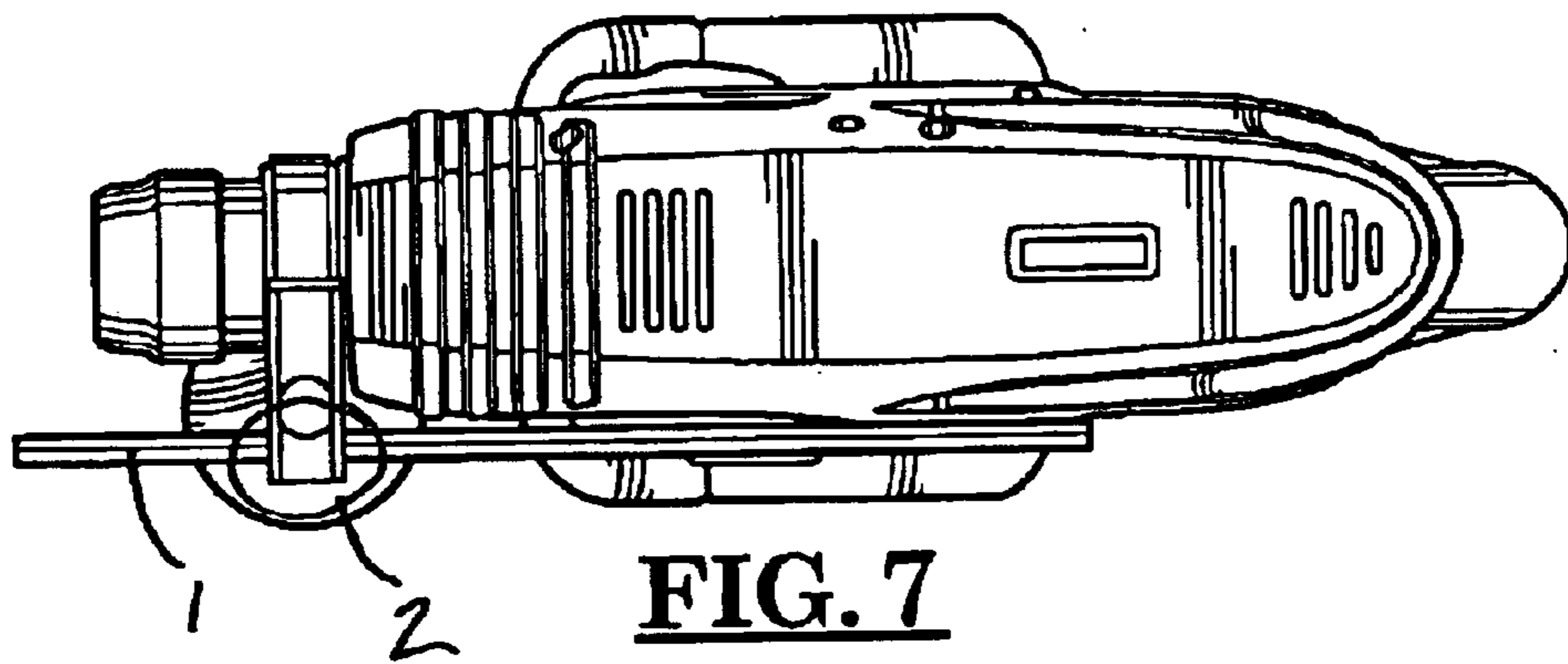


FIG. 7

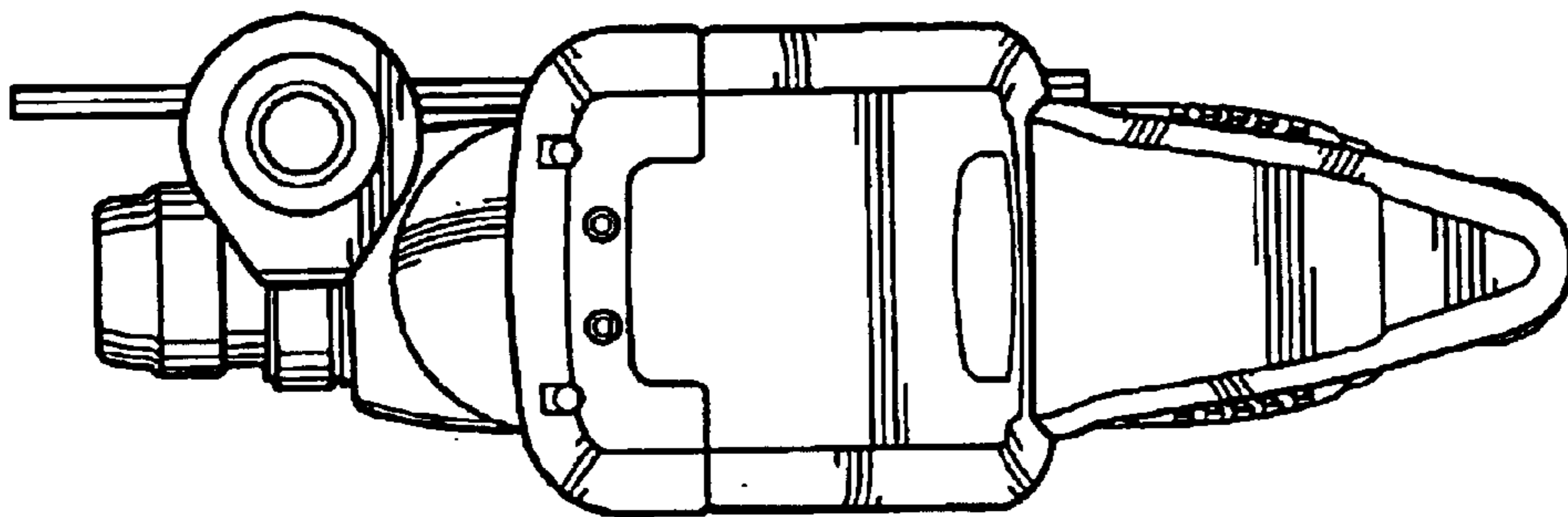


FIG. 8

UNITED STATES PATENT AND TRADEMARK OFFICE
CERTIFICATE OF CORRECTION

PATENT NO. : Des 491,438 S
DATED : June 15, 2004
INVENTOR(S) : Cheung et al.

Page 1 of 5

It is certified that error appears in the above-identified patent and that said Letters Patent is hereby corrected as shown below:

The title page should be deleted and substitute the attached title page as shown on the attached title page.

Delete Drawings Sheets consisting of Figures 2, 4 and 7 and replace with the attached drawings.

Signed and Sealed this

Fourteenth Day of February, 2006

A handwritten signature in black ink on a light gray dotted background. The signature reads "Jon W. Dudas" in a cursive style.

JON W. DUDAS

Director of the United States Patent and Trademark Office

(12) **United States Design Patent**
Cheung et al.

(10) Patent No.: **US D491,438 S**

(45) Date of Patent: **** Jun. 15, 2004**

(54) **HAMMER DRILL**

(75) Inventors: **Benson Chun Kit Cheung, Hong Kong (CN); Daniel Alex Chunn, Hong Kong (CN); Thomas Kam Kee Wong, Kowloon (HK)**

(73) Assignee: **One World Technologies, Limited, Hamilton (BM)**

(**) Term: **14 Years**

(21) Appl. No.: **29/188,035**

(22) Filed: **Aug. 12, 2003**

(51) LOC (7) Cl. **08-01**

(52) U.S. Cl. **D8/68**

(58) Field of Search 408/20, 124, 125, 408/234, 241 R; 451/358; D8/14.1, 61, 62, 63, 64, 65, 66, 67, 68, 69, 70; 81/57.11, 429, 464, 465, 466, 469, 489; 173/13, 169, 178, 213, 217; 227/8, 114, 120, 130, 136, 142; 310/50

D395,586 S	*	6/1998	Arakawa et al.	D8/69
D396,395 S		7/1998	Zurwelle	D8/68
D406,511 S		3/1999	Zurwelle	D8/68
D406,741 S		3/1999	Zurwelle	D8/68
D406,742 S		3/1999	Schoen et al.	D8/68
5,881,823 A	*	3/1999	Kabatnik et al.	310/50
D439,123 S		3/2001	Sakai et al.	D8/68
D442,452 S	*	5/2001	Stirm et al.	D8/67
6,223,835 B1	*	5/2001	Habedank et al.	173/217
D447,032 S	*	8/2001	Schoen et al.	D8/67
6,357,533 B1	*	3/2002	Buchholz et al.	173/217
6,412,572 B2	*	7/2002	Habedank et al.	310/50
6,415,875 B1	*	7/2002	Meixner et al.	173/217
D470,737 S		2/2003	Chunn	D8/68

* cited by examiner

Primary Examiner—James Gandy

Assistant Examiner—T. Chase Nelson

(74) Attorney, Agent, or Firm—John B. Hardaway, III; Nexsen Pruet, LLC

(57) **CLAIM**

The ornamental design for a hammer drill, as shown and described.

DESCRIPTION

FIG. 1 is a front perspective view of the hammer drill of the present invention;

FIG. 2 is a rear perspective view thereof;

FIG. 3 is a right side elevational view thereof;

FIG. 4 is a left side elevational view thereof;

FIG. 5 is a front end view thereof;

FIG. 6 is a rear end view thereof;

FIG. 7 is a top view thereof; and,

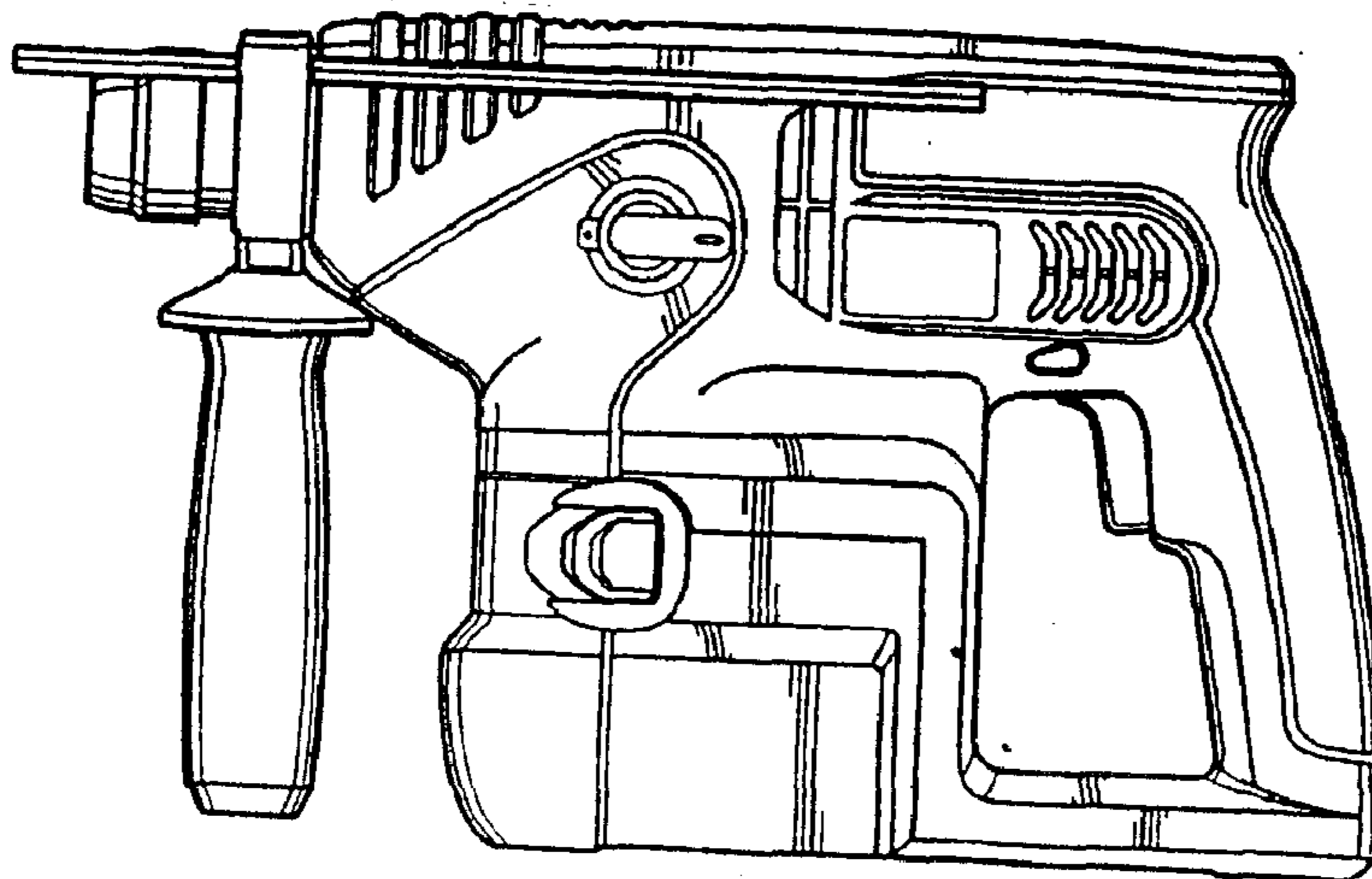
FIG. 8 is a bottom view thereof.

1 Claim, 4 Drawing Sheets

(56) **References Cited**

U.S. PATENT DOCUMENTS

D279,862 S	7/1985	Sato et al.	D8/61
D279,957 S	8/1985	Akazaw et al.	D8/61
D280,797 S	10/1985	Sakamoto et al.	D8/61
4,689,534 A	8/1987	Gerber et al.	310/50
D310,936 S	* 10/1990	Saito et al.	D8/69
D320,918 S	* 10/1991	Mochida	D8/68
5,056,607 A	10/1991	Sanders	173/217
D332,208 S	1/1993	Sakamoto et al.	D8/68
D339,727 S	9/1993	Kikuchi	D8/68
5,671,815 A	* 9/1997	Kabatnik et al.	173/217



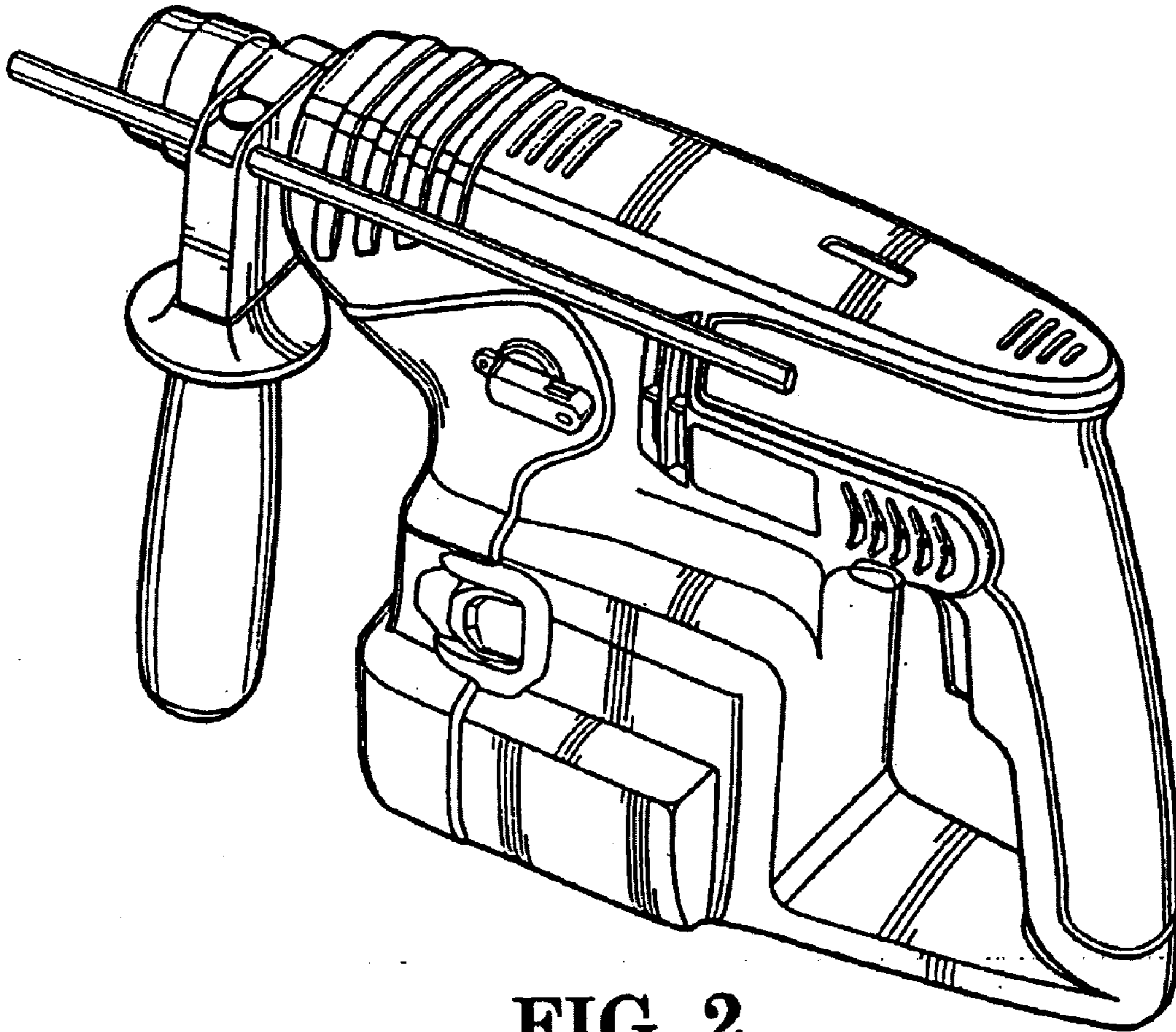


FIG. 2

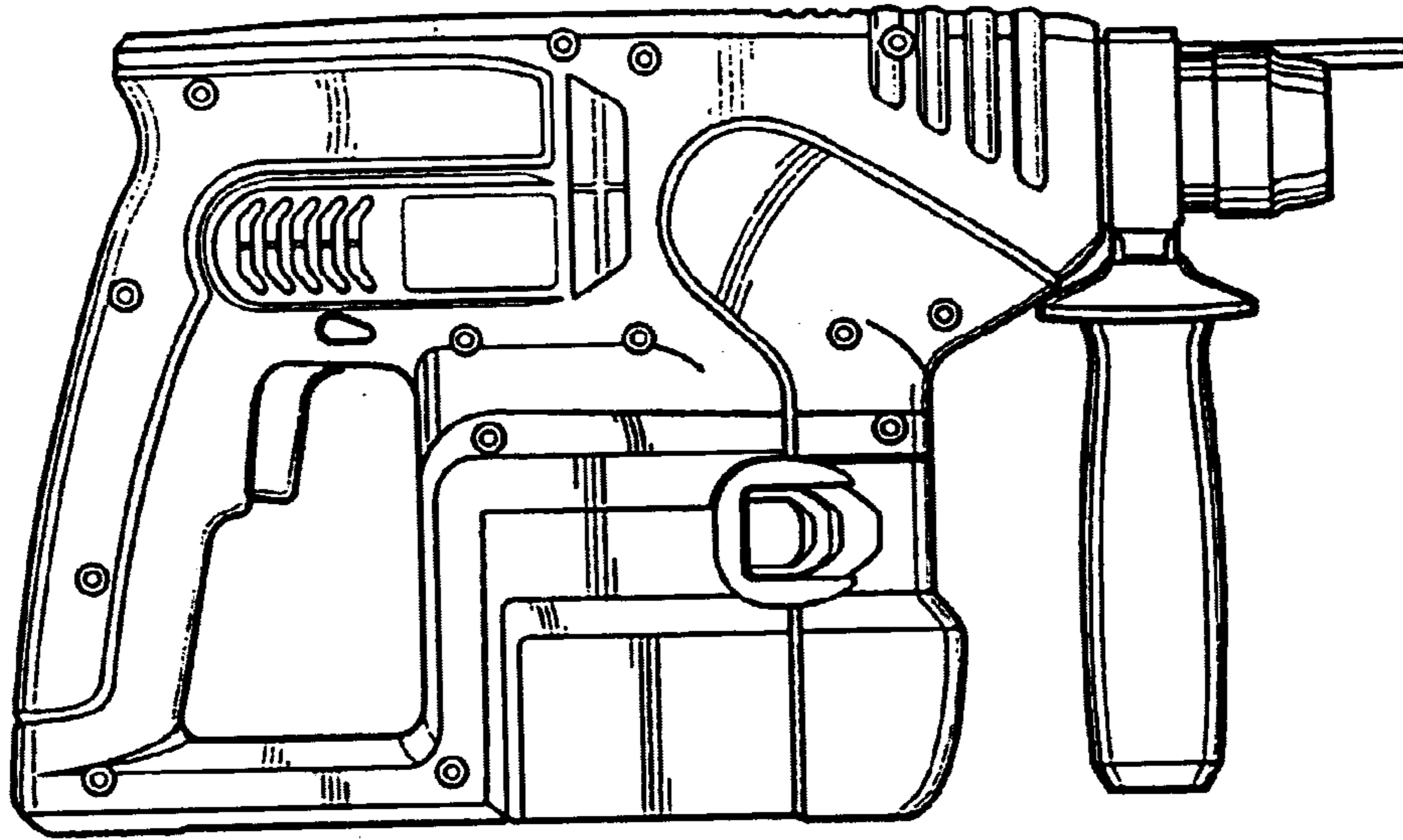


FIG. 3

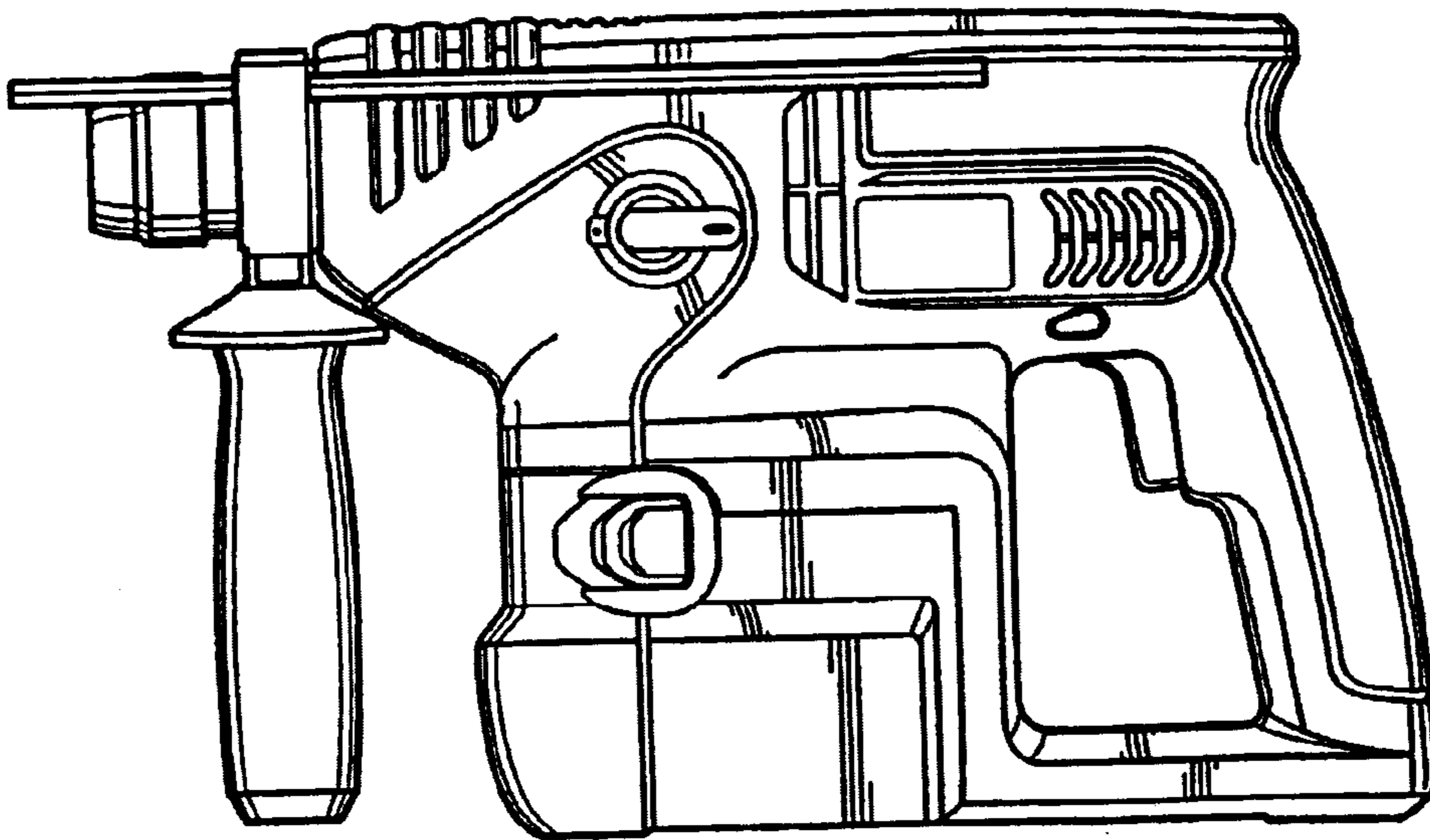


FIG. 4

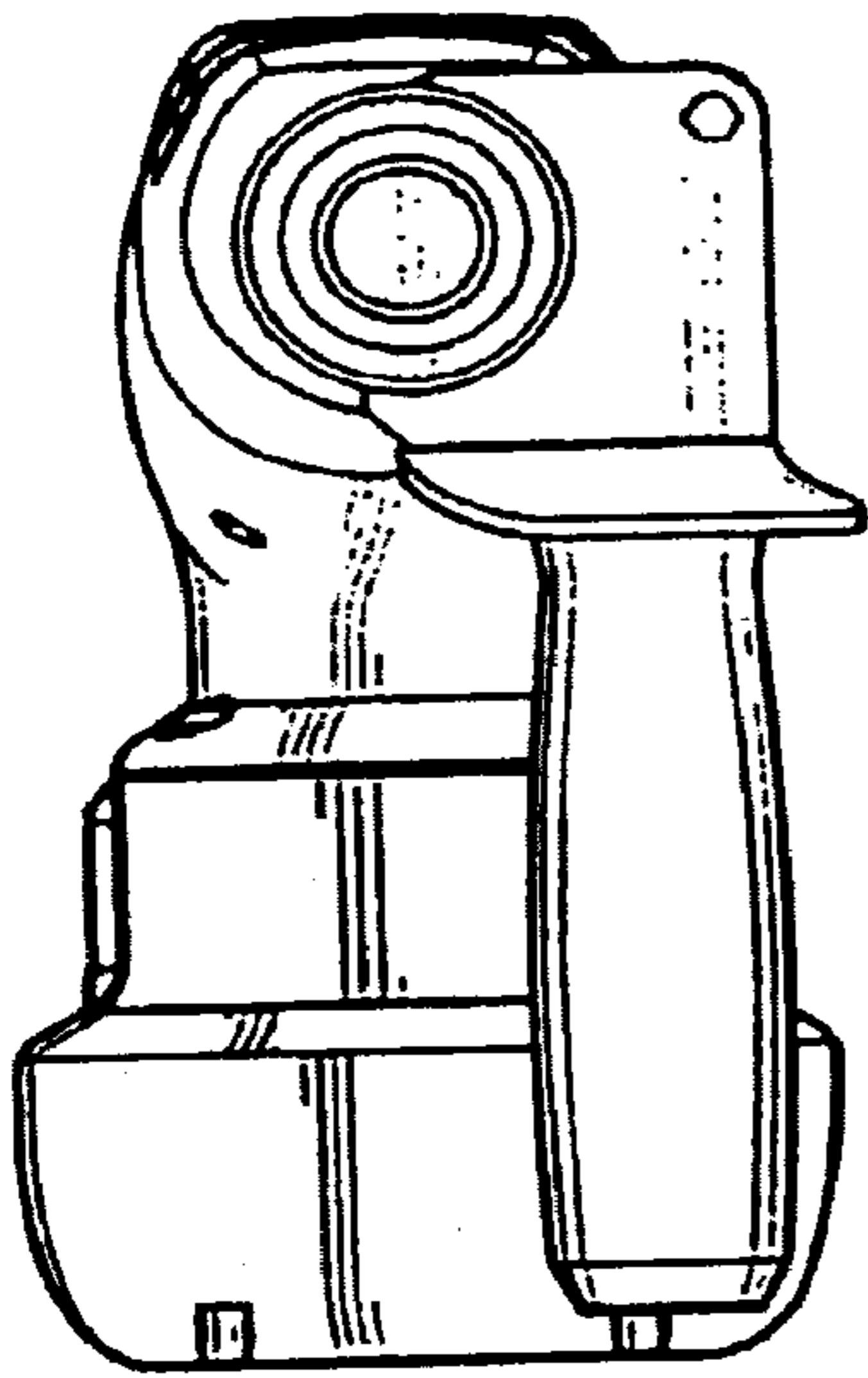


FIG. 5

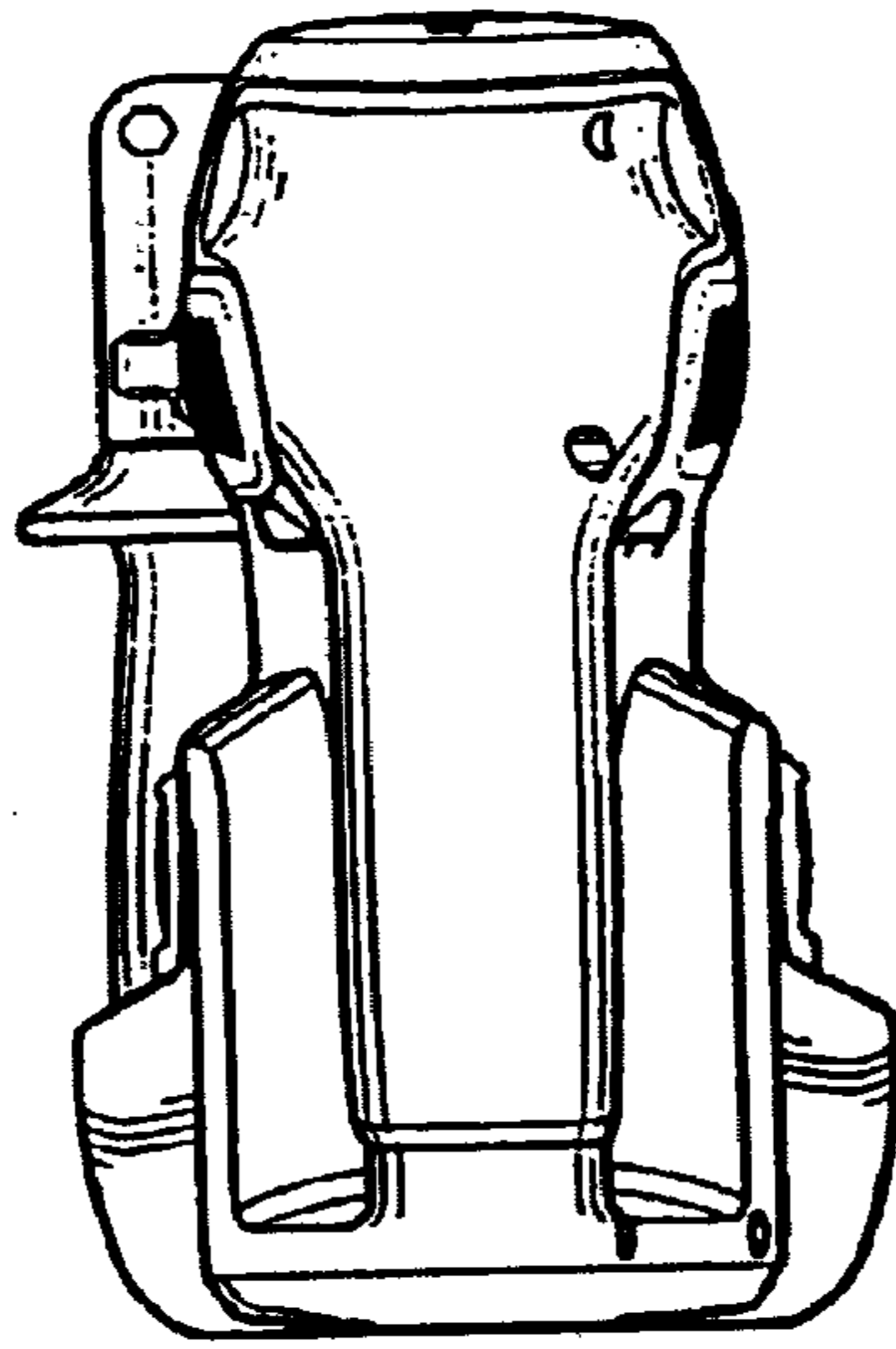


FIG. 6

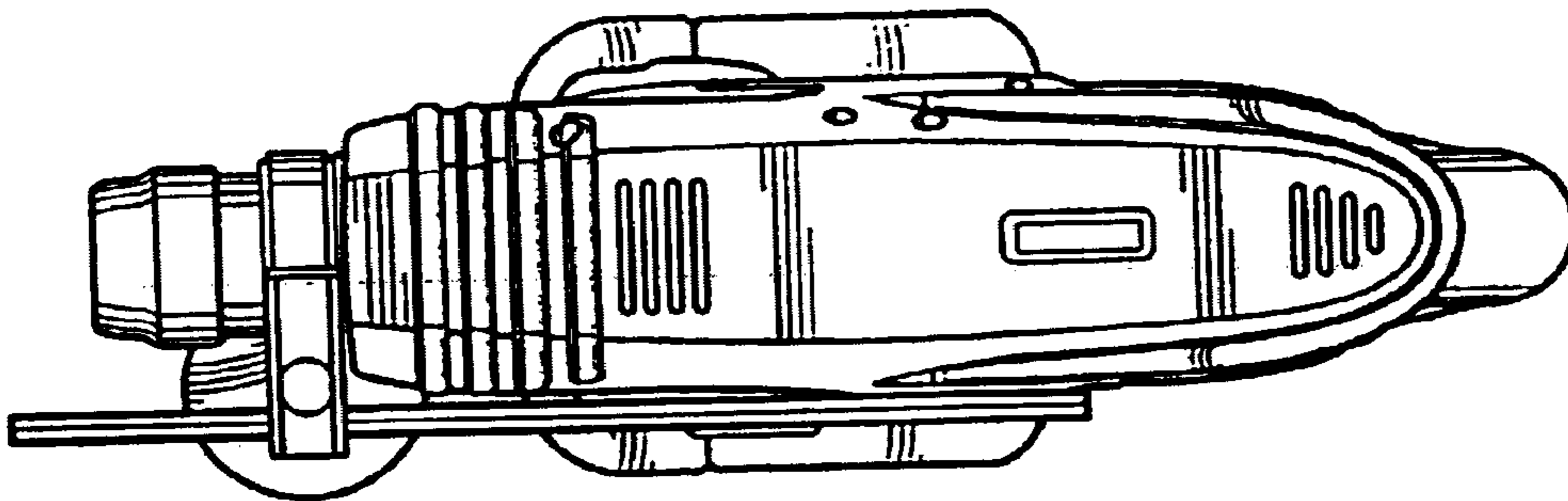


FIG. 7

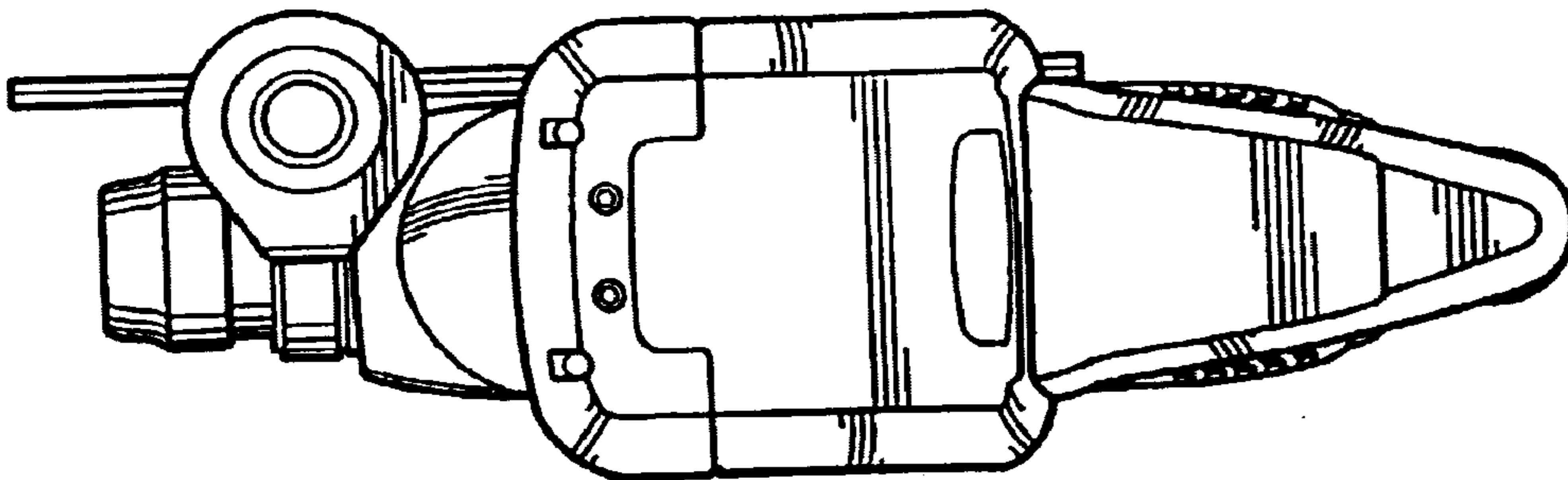


FIG. 8