



US00D491434S

(12) **United States Design Patent**
Noniewicz

(10) **Patent No.:** **US D491,434 S**
(45) **Date of Patent:** **** Jun. 15, 2004**

(54) **CLAMPING PLIERS**

(75) Inventor: **Zbigniew Noniewicz**, Kempenich (DE)

(73) Assignee: **Wolcraft GmbH**, Kempenich (DE)

(**) Term: **14 Years**

(21) Appl. No.: **29/152,421**

(22) Filed: **Dec. 14, 2001**

(30) **Foreign Application Priority Data**

Jun. 16, 2001 (DE) 401 05 562
Jun. 28, 2001 (DE) 401 06 032

(51) **LOC (7) Cl.** **08-05**

(52) **U.S. Cl.** **D8/58; D8/52**

(58) **Field of Search** D8/52, 54, 55,
D8/56, 58, 107, 4, 5, 98, 71, 72, 395; 81/3.6,
300, 314, 315-317, 329, 342, 385, 415-427.5;
269/6

(56) **References Cited**

U.S. PATENT DOCUMENTS

668,377 A * 2/1901 Koch 269/6
4,601,221 A * 7/1986 Kalkbrenner et al. 81/418
4,607,544 A * 8/1986 Jewell, Jr. 81/9.4
D352,436 S * 11/1994 Abel D8/52
D369,534 S * 5/1996 Liou D8/52
5,611,138 A * 3/1997 Krampe 81/9.4
D399,729 S * 10/1998 Chen D8/395

6,240,815 B1 * 6/2001 Huang 81/328
6,336,386 B1 * 1/2002 Lee 81/328
6,389,936 B1 * 5/2002 Domenge 81/418
D461,108 S * 8/2002 Herzog et al. D8/52
6,564,703 B1 * 5/2003 Lin 269/6

* cited by examiner

Primary Examiner—Clare E. Heflin

(74) *Attorney, Agent, or Firm*—Bell, Boyd & Lloyd LLC

(57) **CLAIM**

I claim the ornamental design of the clamping pliers, as shown and described.

DESCRIPTION

FIG. 1 is a front view of a first embodiment of a clamping pliers of the claimed design.

FIG. 2 is a left side view of the clamping pliers of FIG. 1.

FIG. 3 is a rear view of the clamping pliers of FIG. 1.

FIG. 4 is a right side view of the clamping pliers of FIG. 1.

FIG. 5 is a top view of the clamping pliers of FIG. 1.

FIG. 6 is a bottom view of the clamping pliers of FIG. 1.

FIG. 7 is a second embodiment of the clamping pliers.

FIG. 8 is a left side view of the clamping pliers of FIG. 7.

FIG. 9 is a rear view of the clamping pliers of FIG. 7.

FIG. 10 is a right side view of the clamping pliers of FIG. 7.

7.

FIG. 11 is a top view of the clamping pliers of FIG. 7; and,

FIG. 12 is a bottom view of the clamping pliers of FIG. 7.

1 Claim, 6 Drawing Sheets

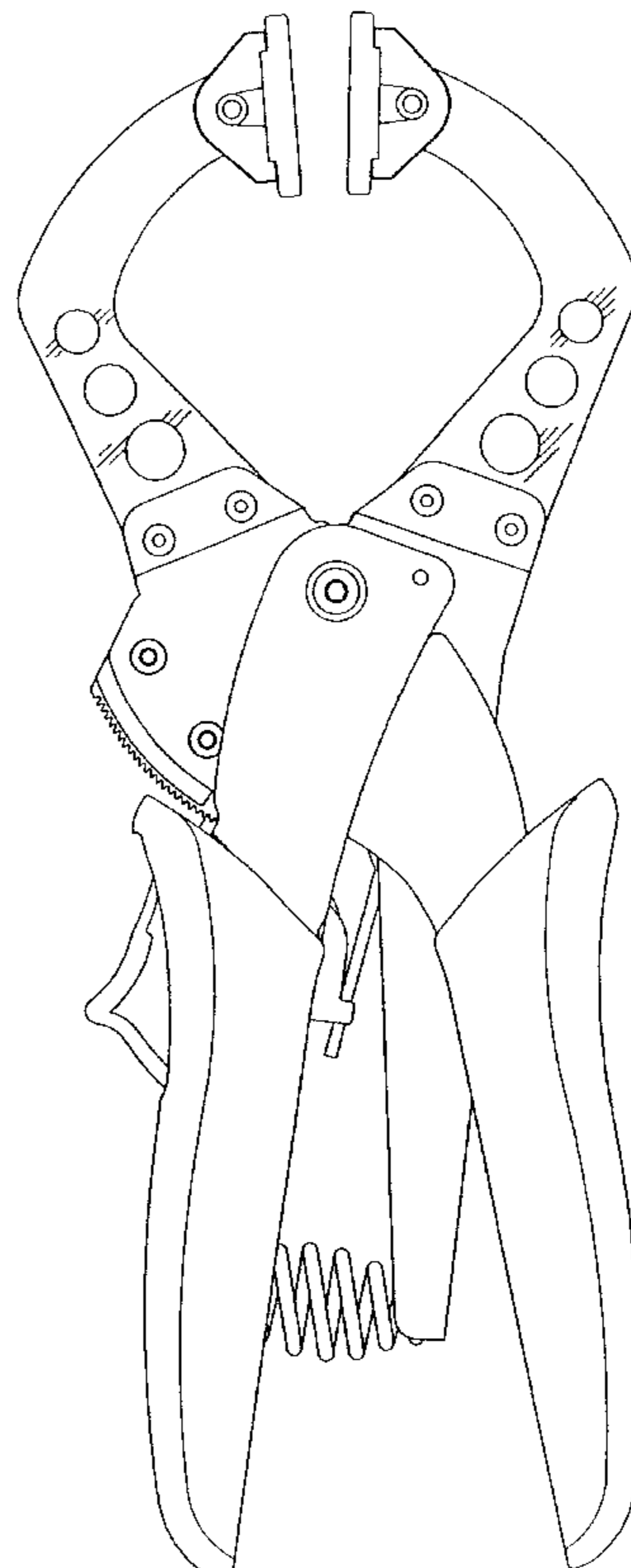
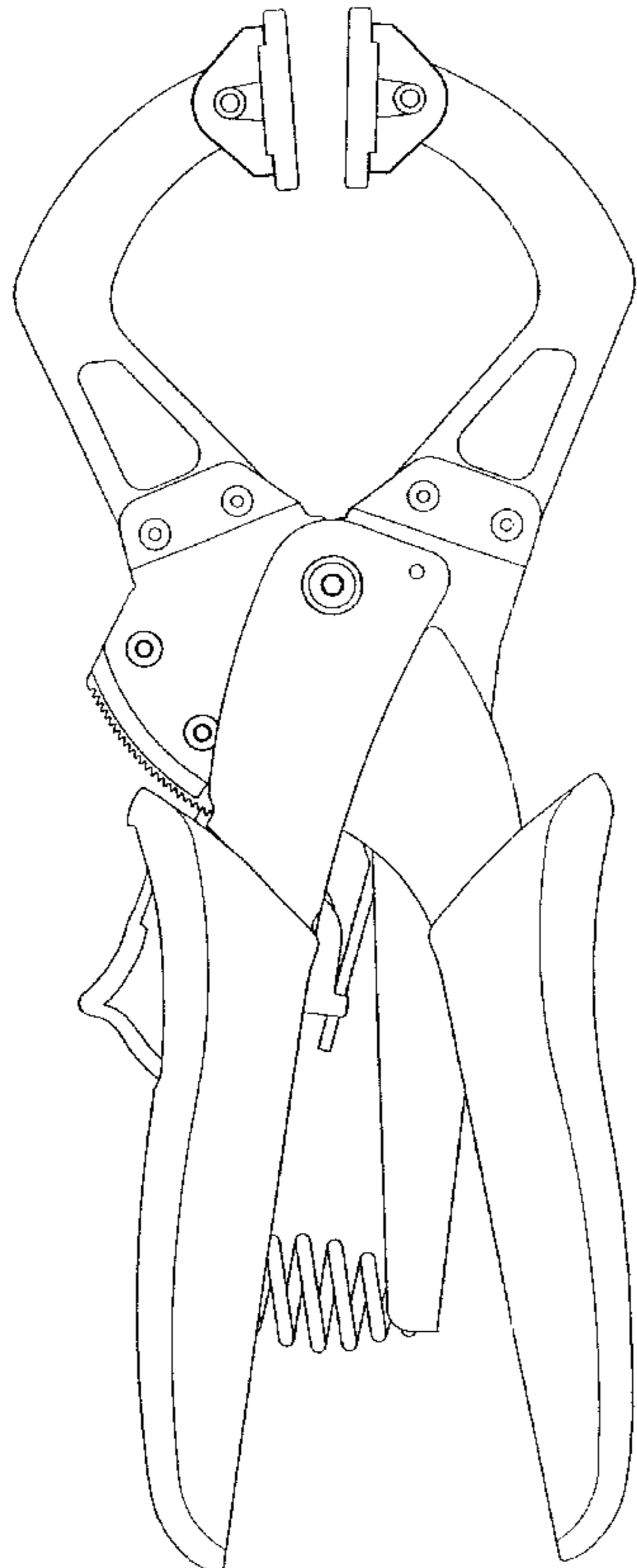


Fig. 1

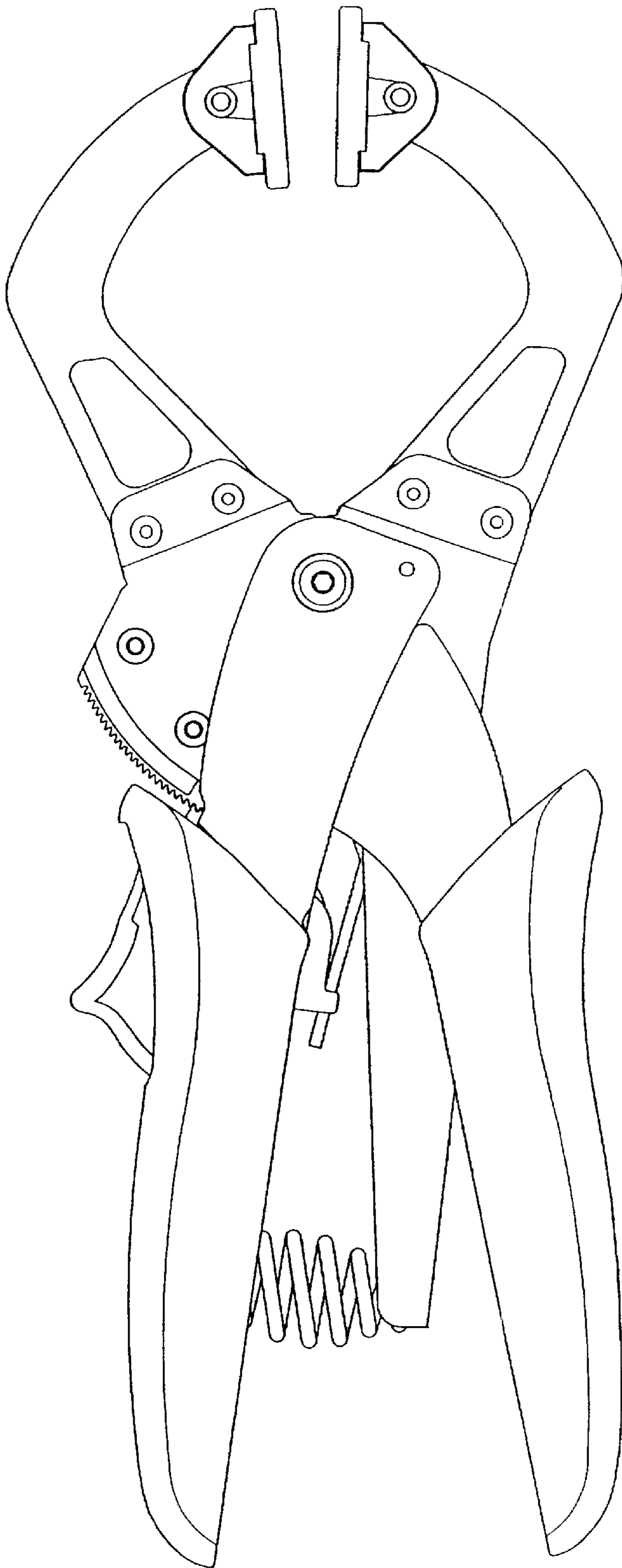


Fig. 2

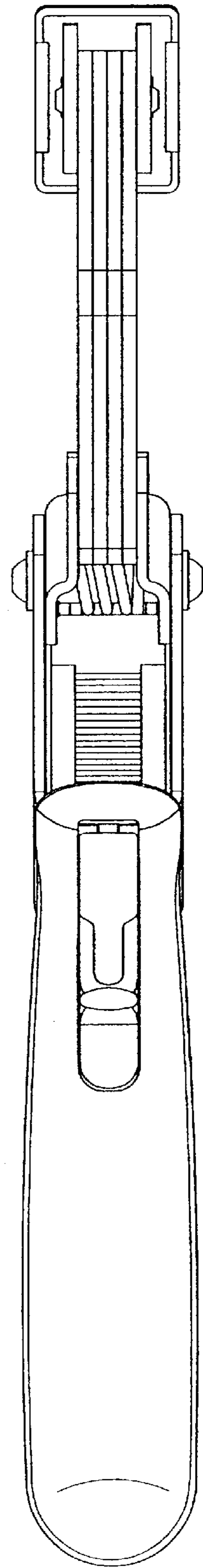


Fig. 3

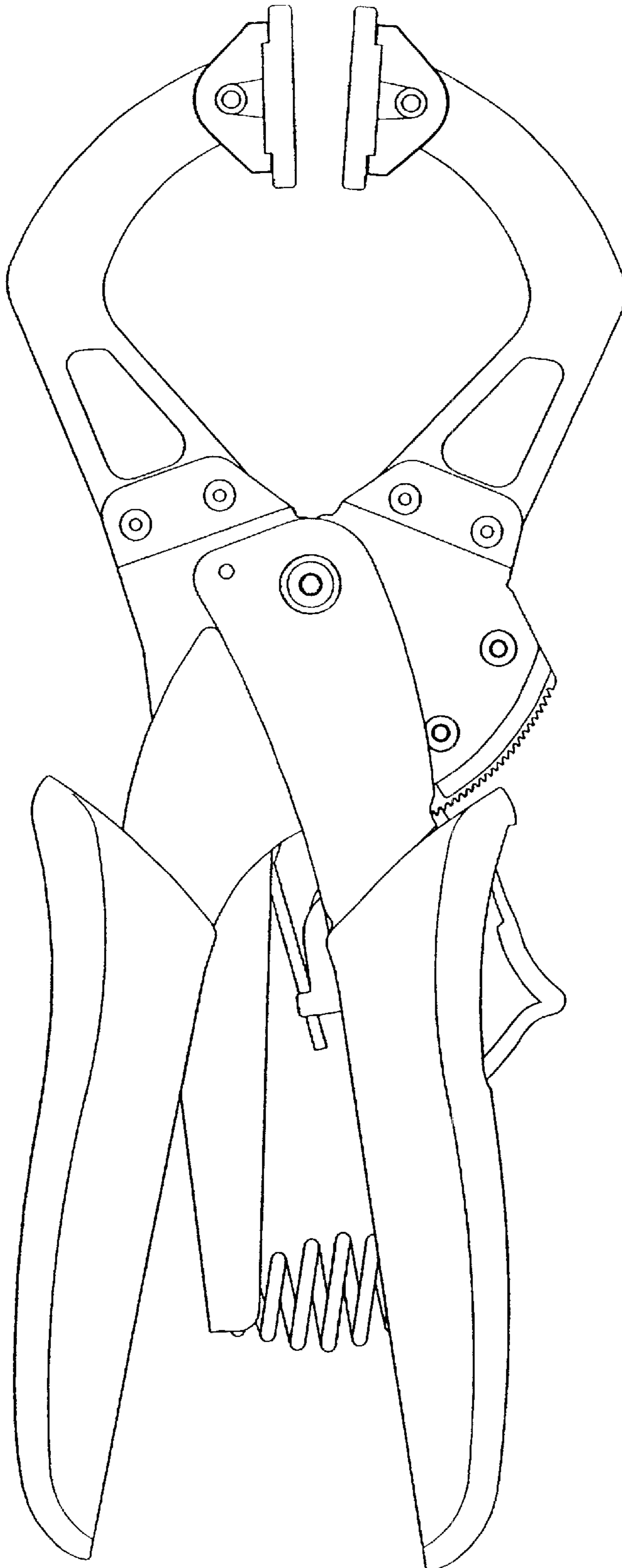


Fig. 4

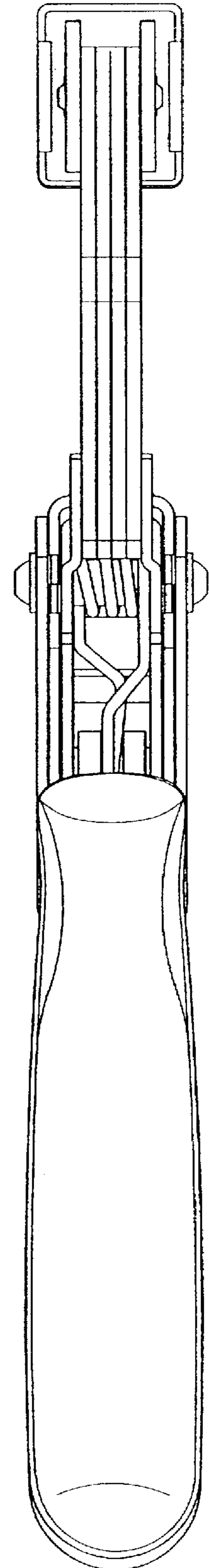


Fig. 6

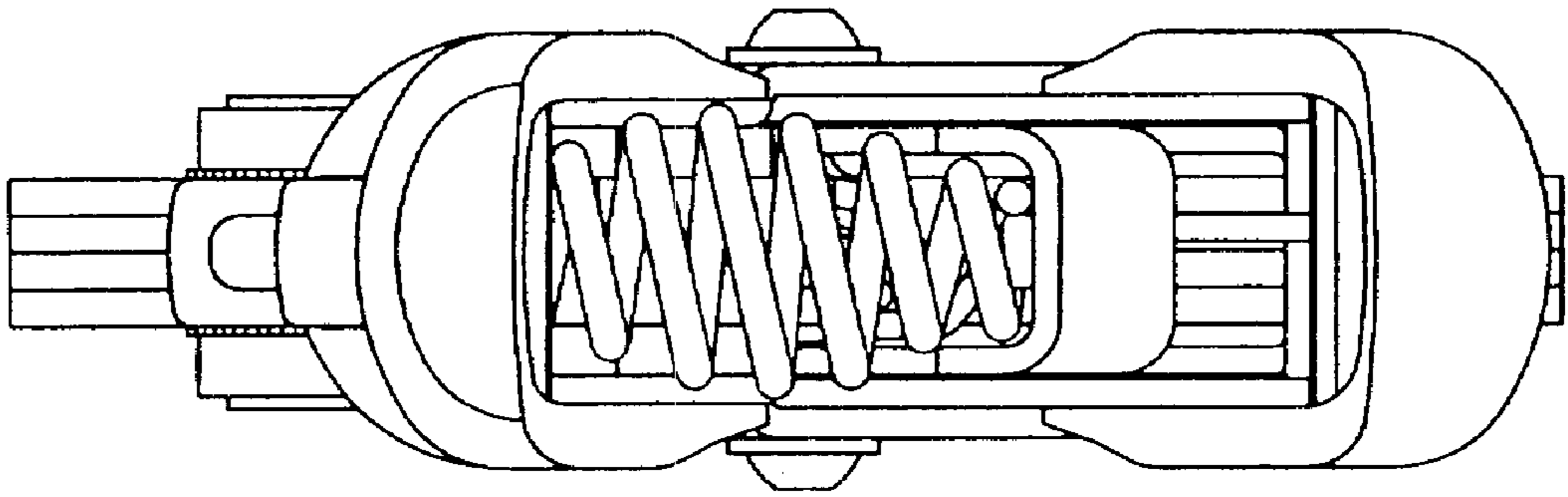


Fig. 5

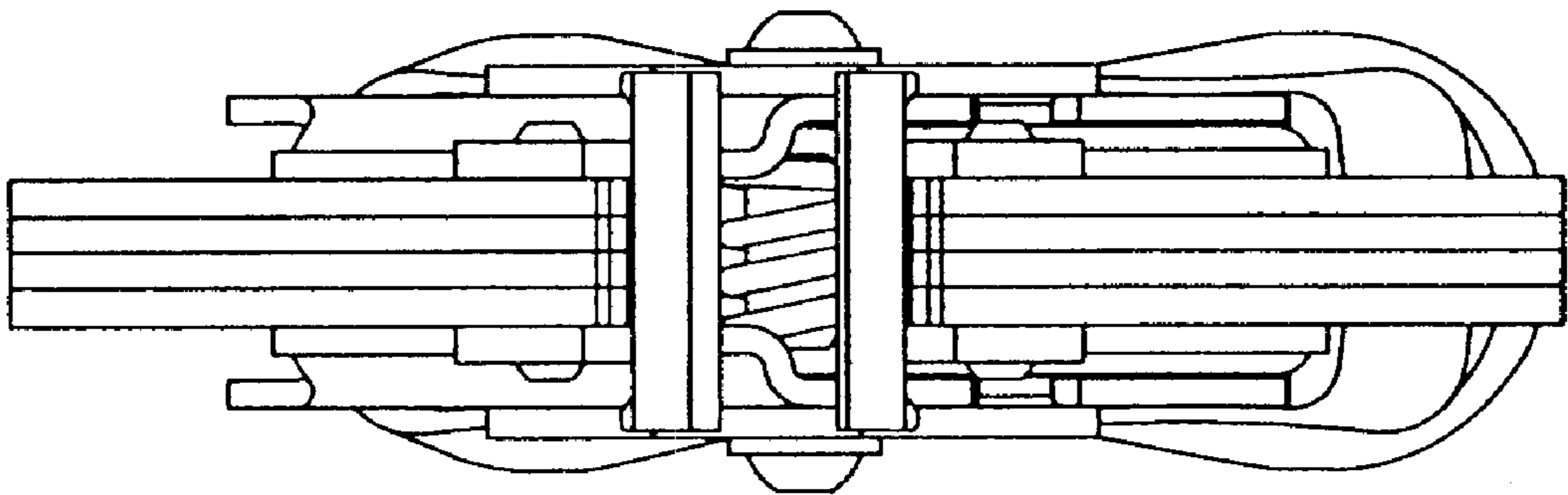


Fig. 7

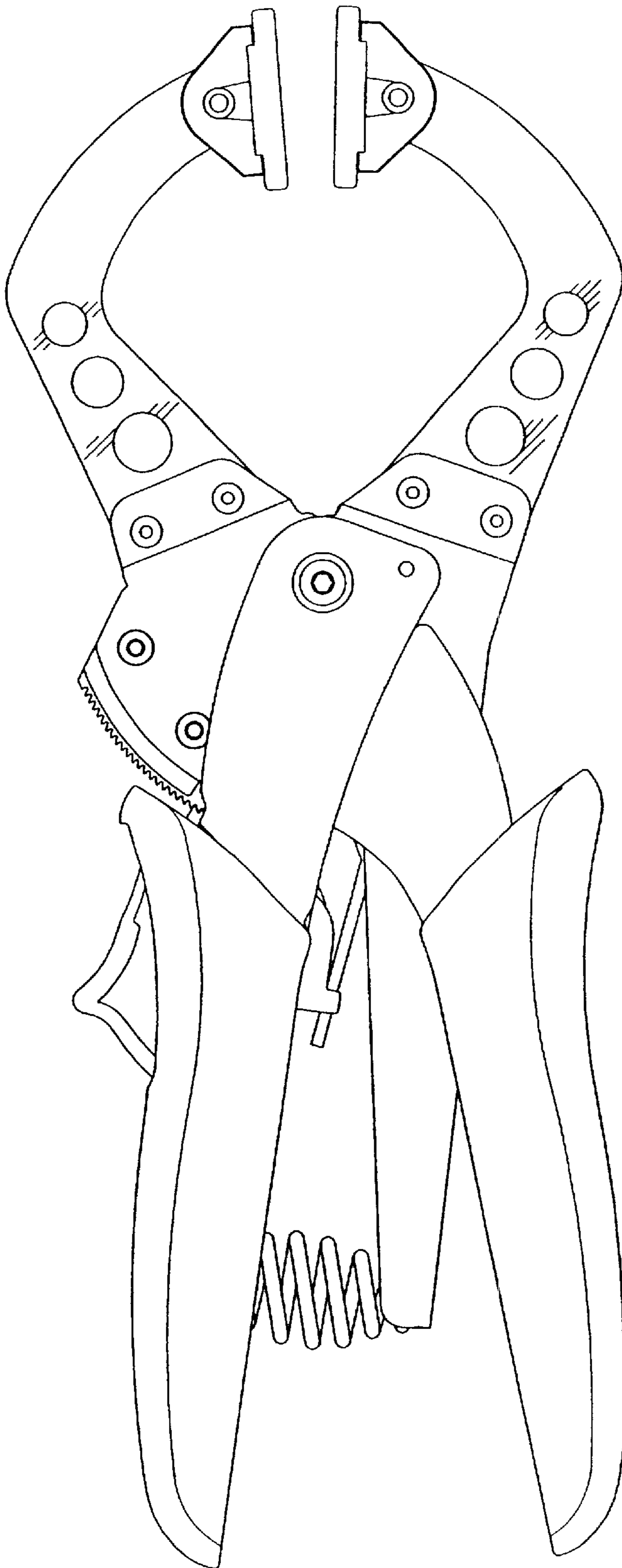


Fig. 8

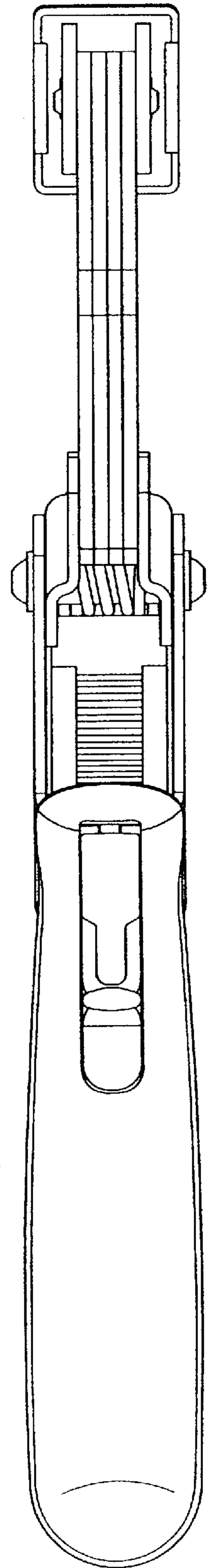


Fig. 9

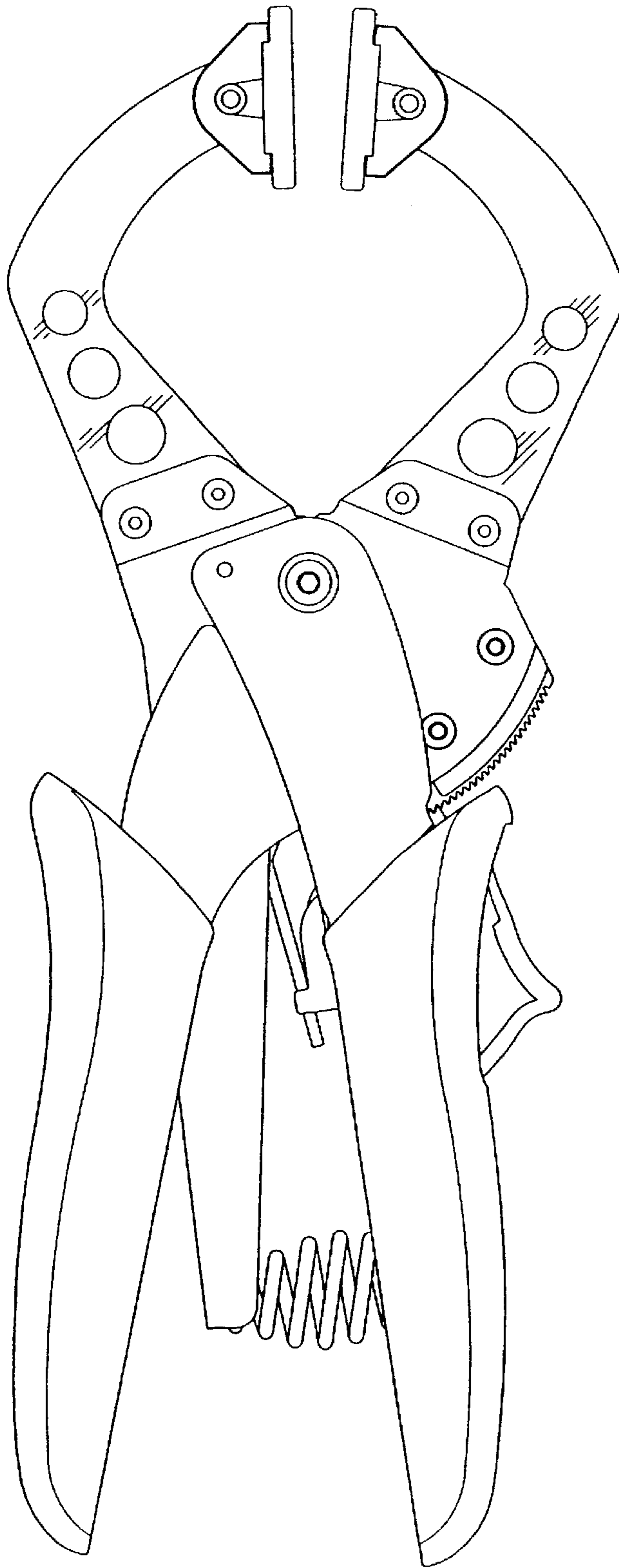


Fig. 10

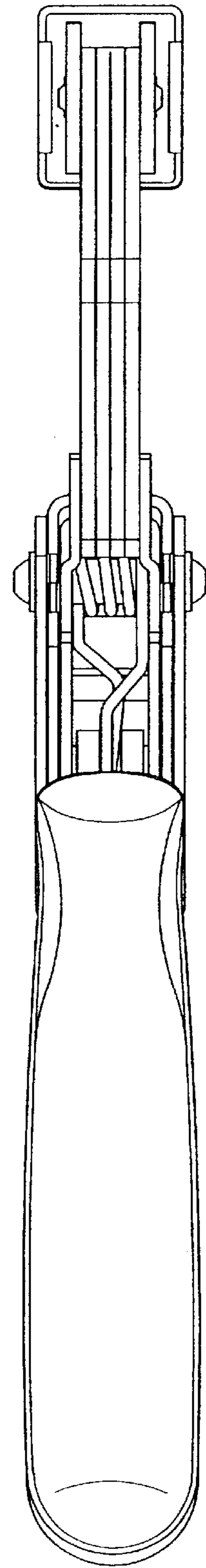


Fig. 12

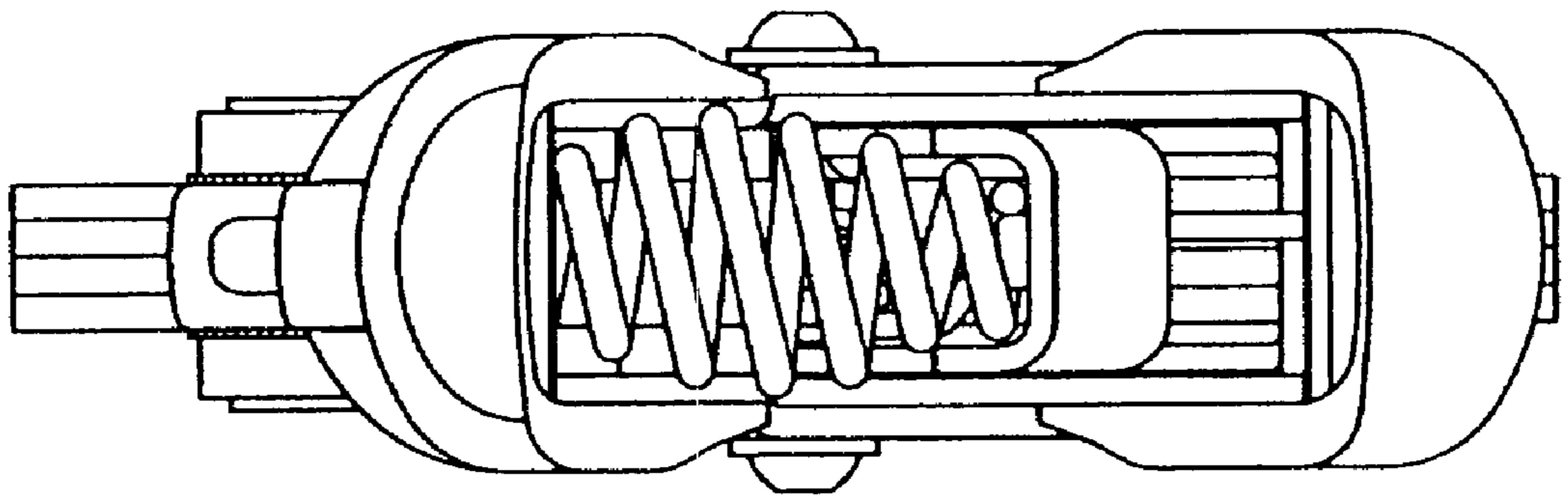


Fig. 11

