



US00D491431S

(12) **United States Design Patent**
Theurer et al.

(10) **Patent No.:** **US D491,431 S**
(45) **Date of Patent:** **** Jun. 15, 2004**

(54) **TAMPING PICK FOR TAMPING RAILROAD TRACK BALLAST**

(75) Inventors: **Josef Theurer**, Wien (AT); **Friedrich Peitl**, Linz (AT)

(73) Assignee: **Franz Plasser Bahnbaumaschinen-Industriegesellschaft m.b.H.**, Vienna (AT)

(**) Term: **14 Years**

(21) Appl. No.: **29/187,720**

(22) Filed: **Aug. 6, 2003**

Related U.S. Application Data

(62) Division of application No. 29/161,701, filed on Jun. 3, 2002.

(51) **LOC (7) Cl.** **08-99**

(52) **U.S. Cl.** **D8/47**

(58) **Field of Search** D8/14, 47, 77; 104/12

(56) **References Cited**

U.S. PATENT DOCUMENTS

D31,973 S	*	12/1899	Miller	D8/14
D243,315 S	*	2/1977	Smith	D8/77
4,537,135 A	*	8/1985	Theurer	104/12
4,773,333 A	*	9/1988	Theurer	104/12
5,127,334 A	*	7/1992	Theurer	104/12

* cited by examiner

Primary Examiner—Holly Baynham

(74) *Attorney, Agent, or Firm*—Henry M. Feiereisen; Ursula B. Day

(57) **CLAIM**

The ornamental design for a tamping pick for tamping railroad track ballast, as shown and described.

DESCRIPTION

FIG. 1 is a front view of the first embodiment of a tamping pick for tamping railroad track ballast, showing our new design;

FIG. 2 is a back view thereof;

FIG. 3 is a right side view; the left side being a mirror image thereof;

FIG. 4 is a front view of a second embodiment of the tamping pick for tamping railroad track ballast according to the invention;

FIG. 5 is a back view thereof;

FIG. 6 is a right side view; the left side being a mirror image thereof;

FIG. 7 is a front view of a third embodiment of the tamping pick for tamping railroad track ballast according to the invention;

FIG. 8 is back view thereof;

FIG. 9 is a right side view, the left side being a mirror image thereof;

FIG. 10 is a front view of fourth embodiment of the tamping pick for tamping railroad track ballast according to the invention;

FIG. 11 is back view thereof;

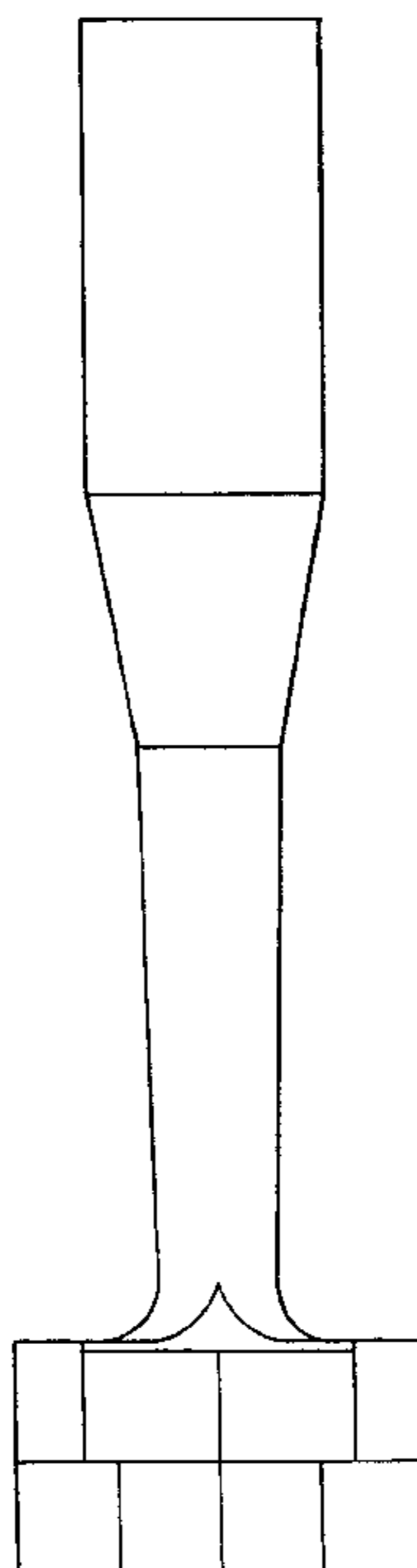
FIG. 12 is a right side view, the left side being a mirror image thereof;

FIG. 13 is a perspective view thereof;

FIG. 14 is a top plan view thereof; and,

FIG. 15 is a bottom plan view thereof.

1 Claim, 5 Drawing Sheets



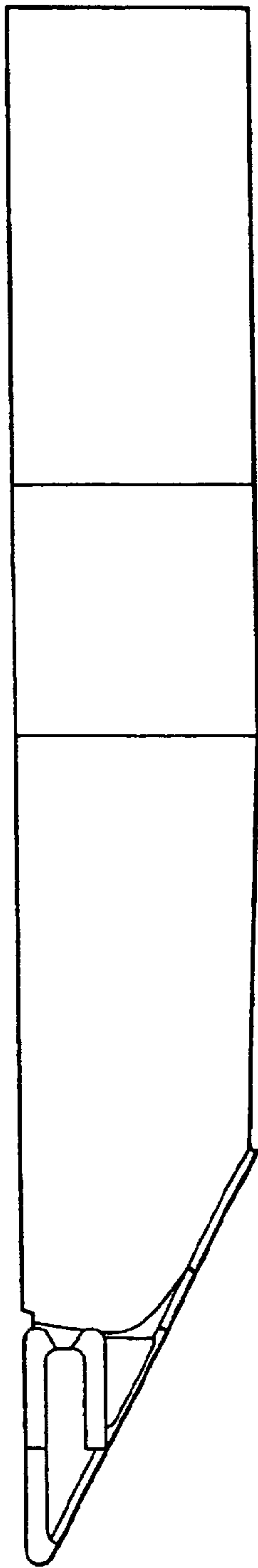


Fig. 3

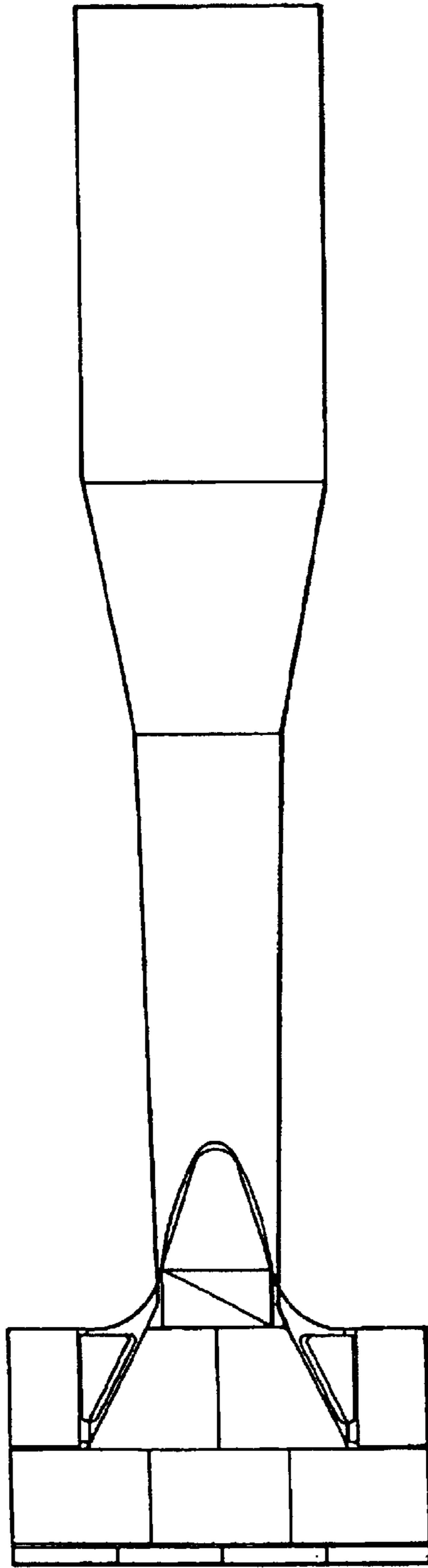


Fig. 2

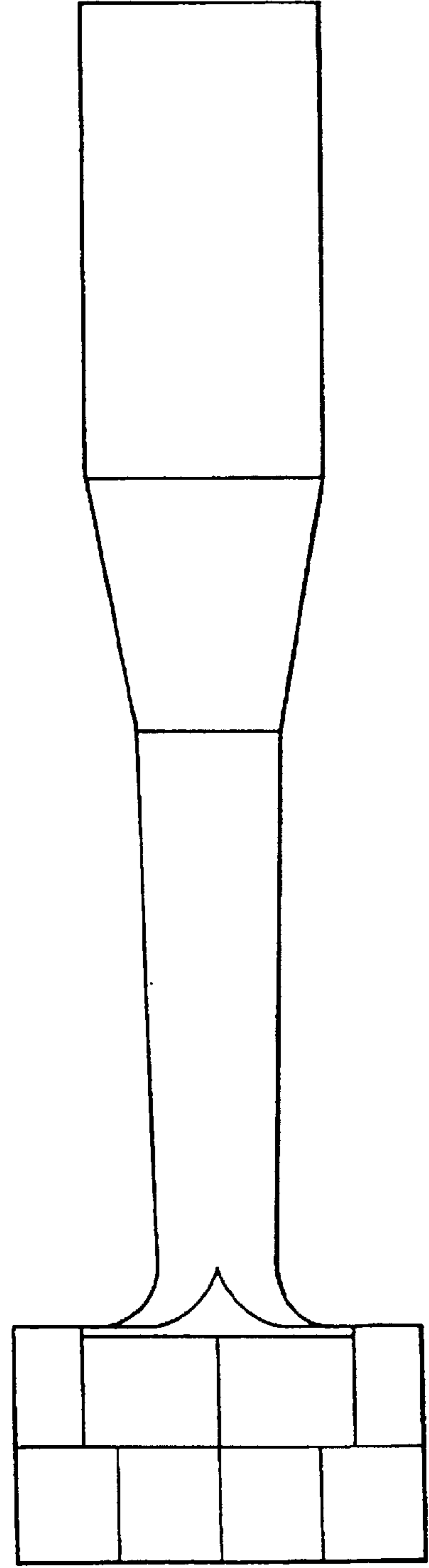


Fig. 1

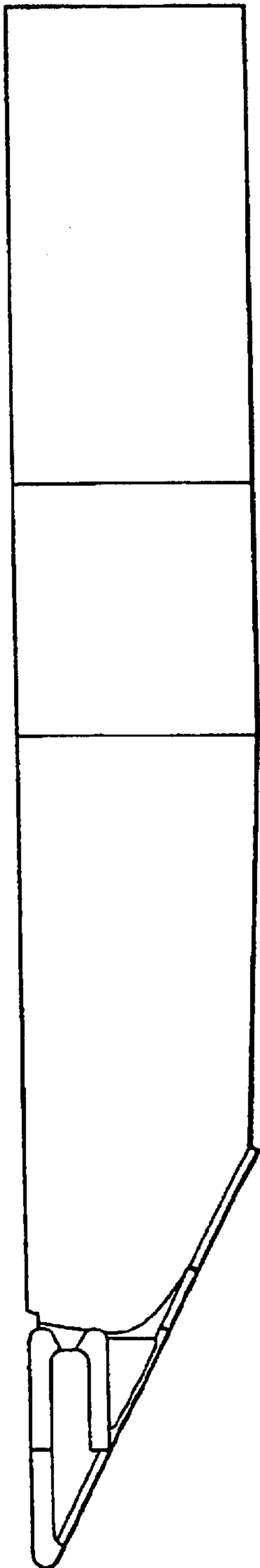


Fig. 6

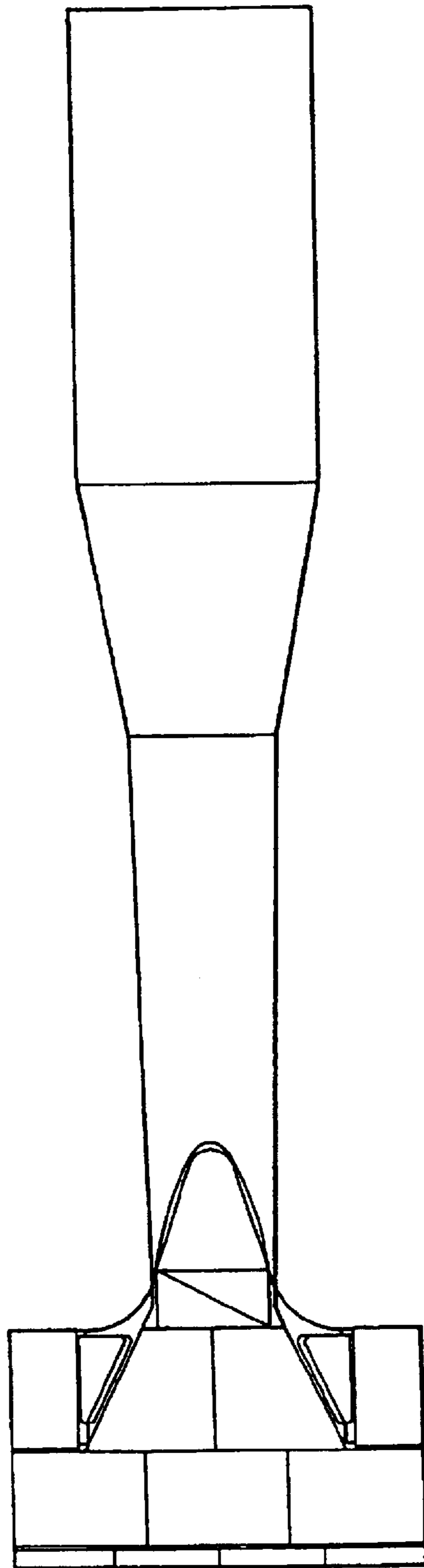


Fig. 5

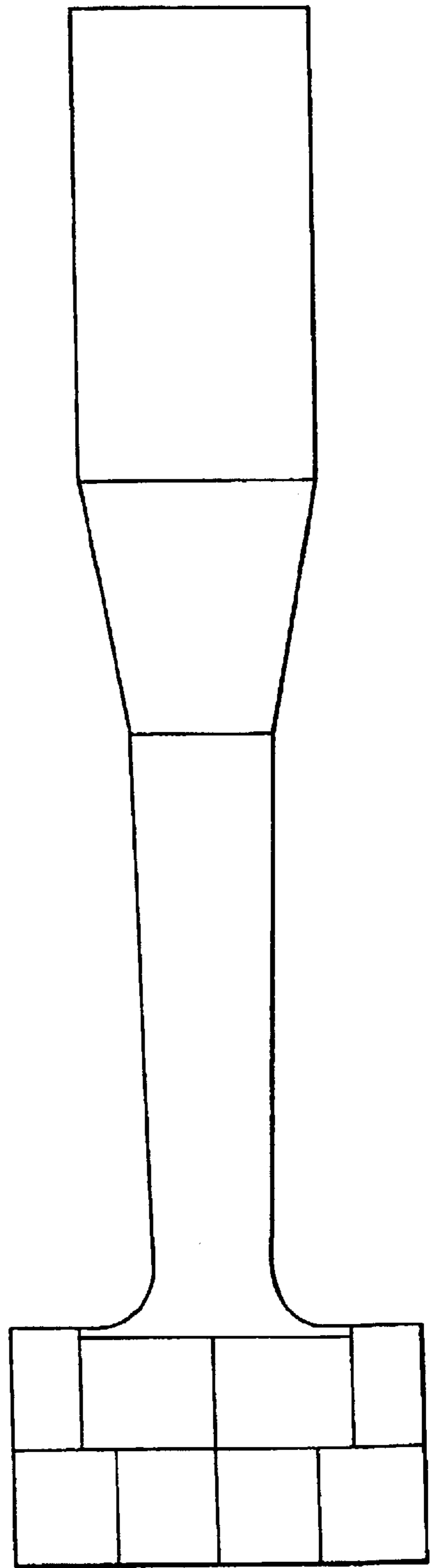


Fig. 4

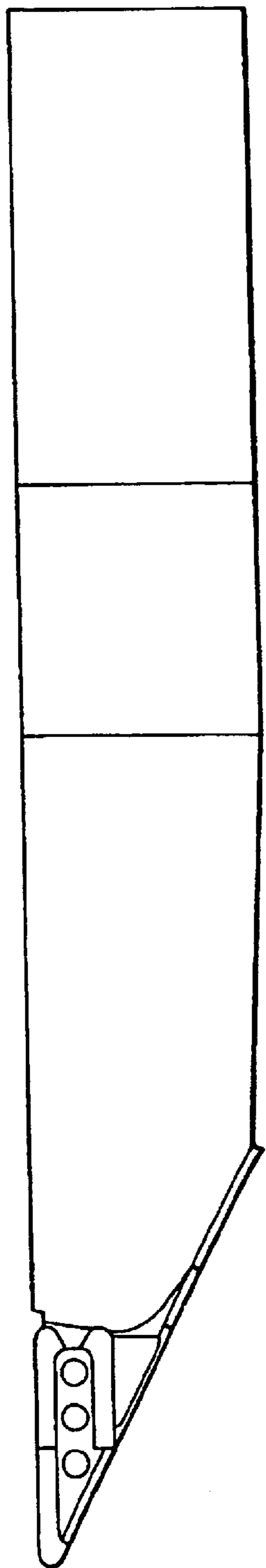


Fig. 9

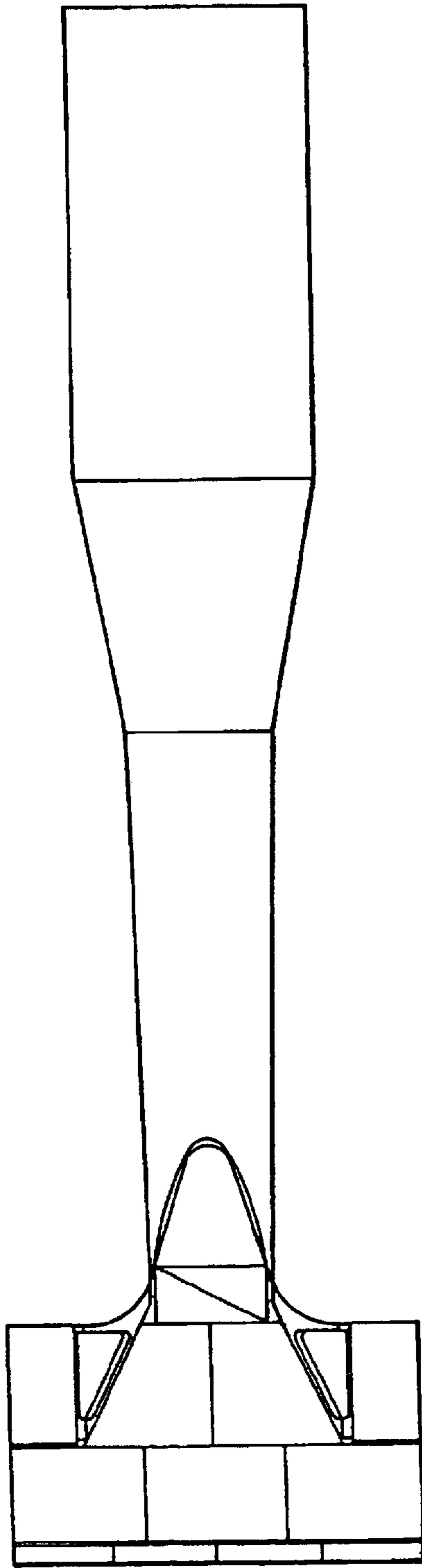


Fig. 8

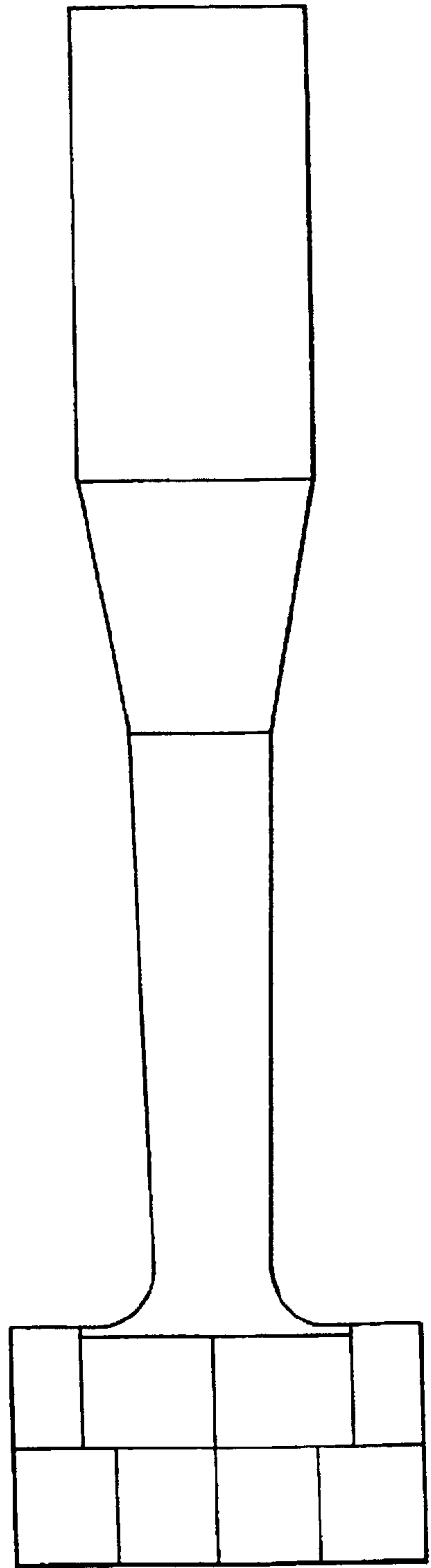


Fig. 7

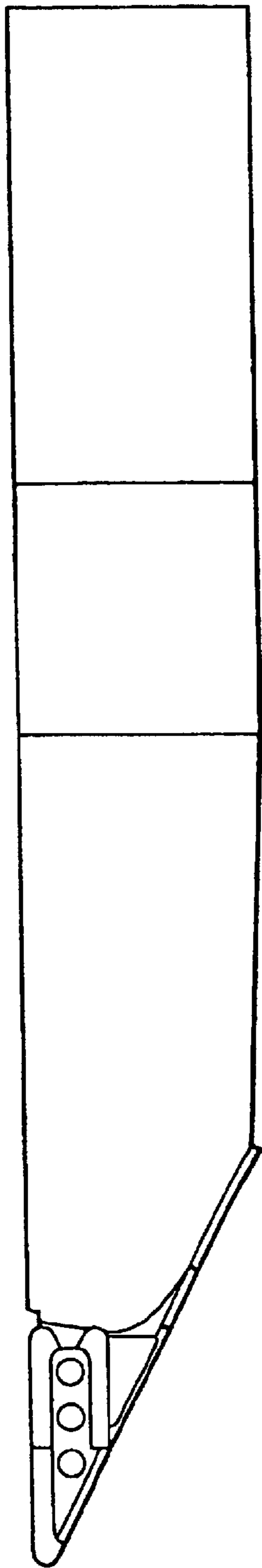


FIG. 12

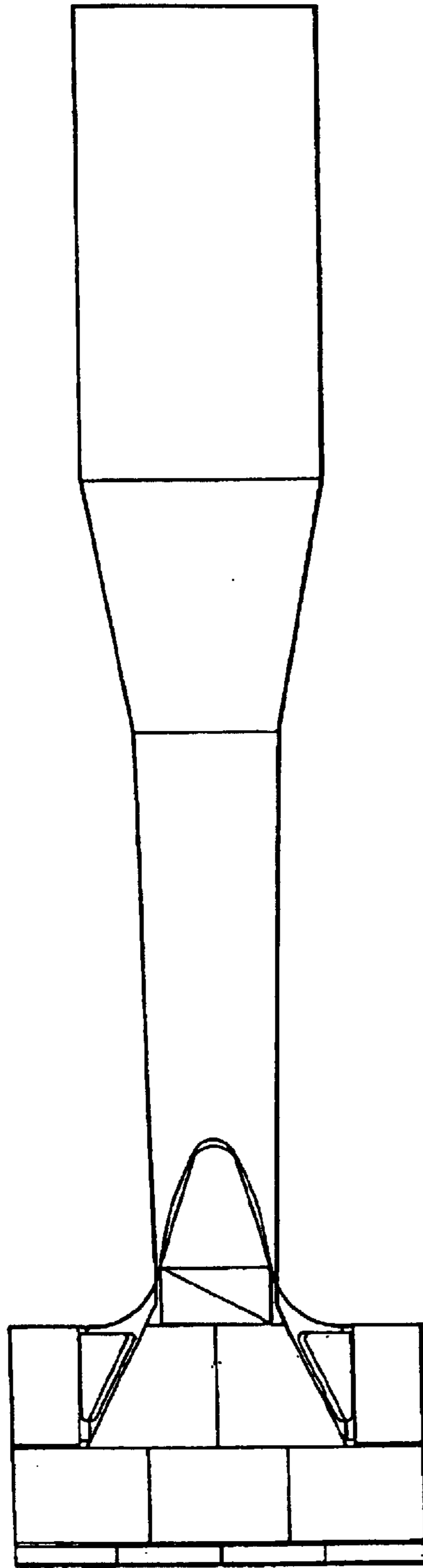


FIG. 11

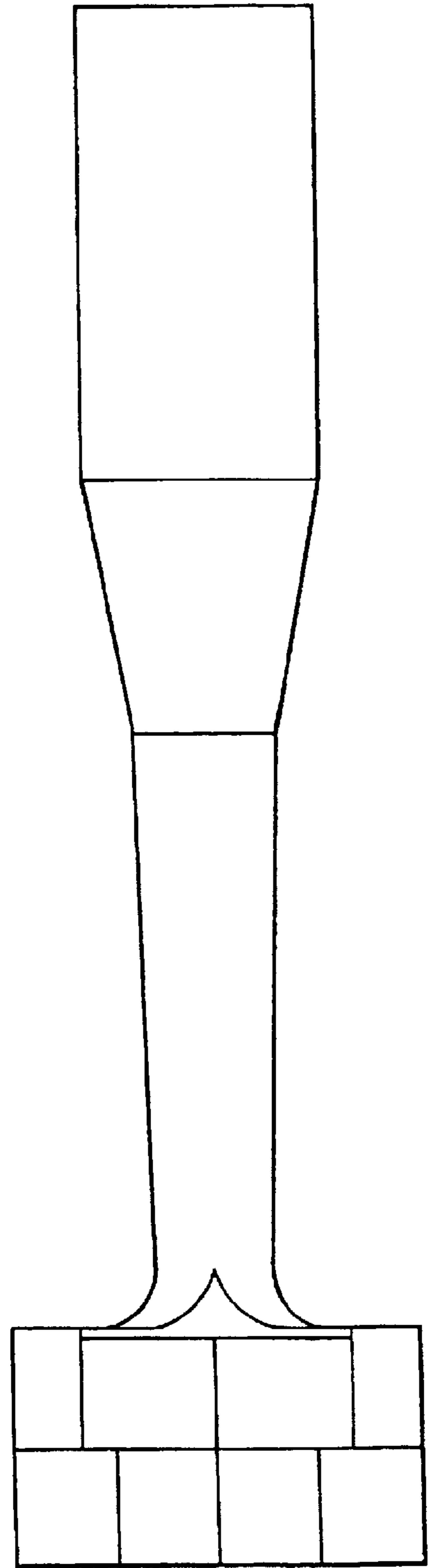


FIG. 10

FIG. 13

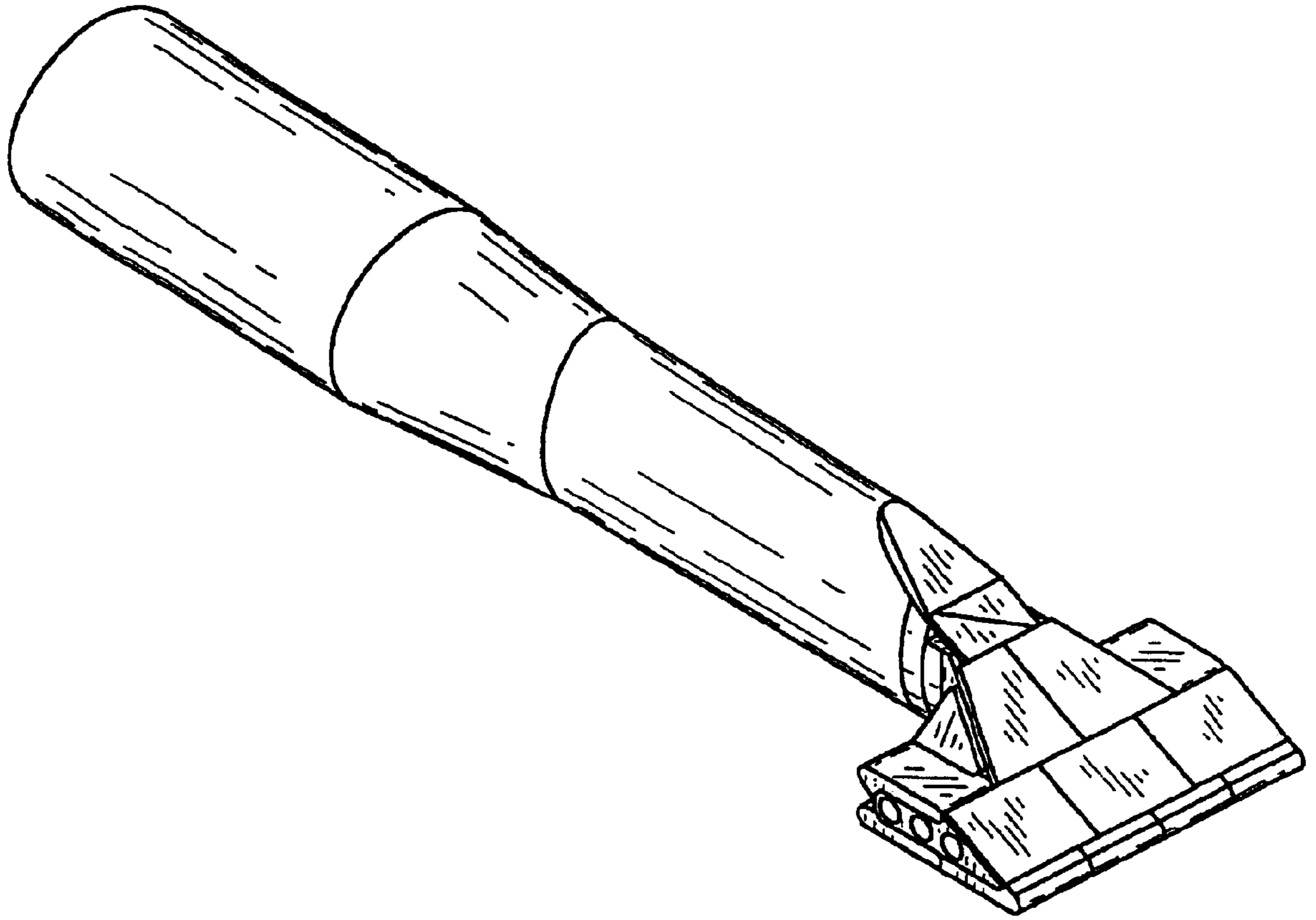


FIG. 14

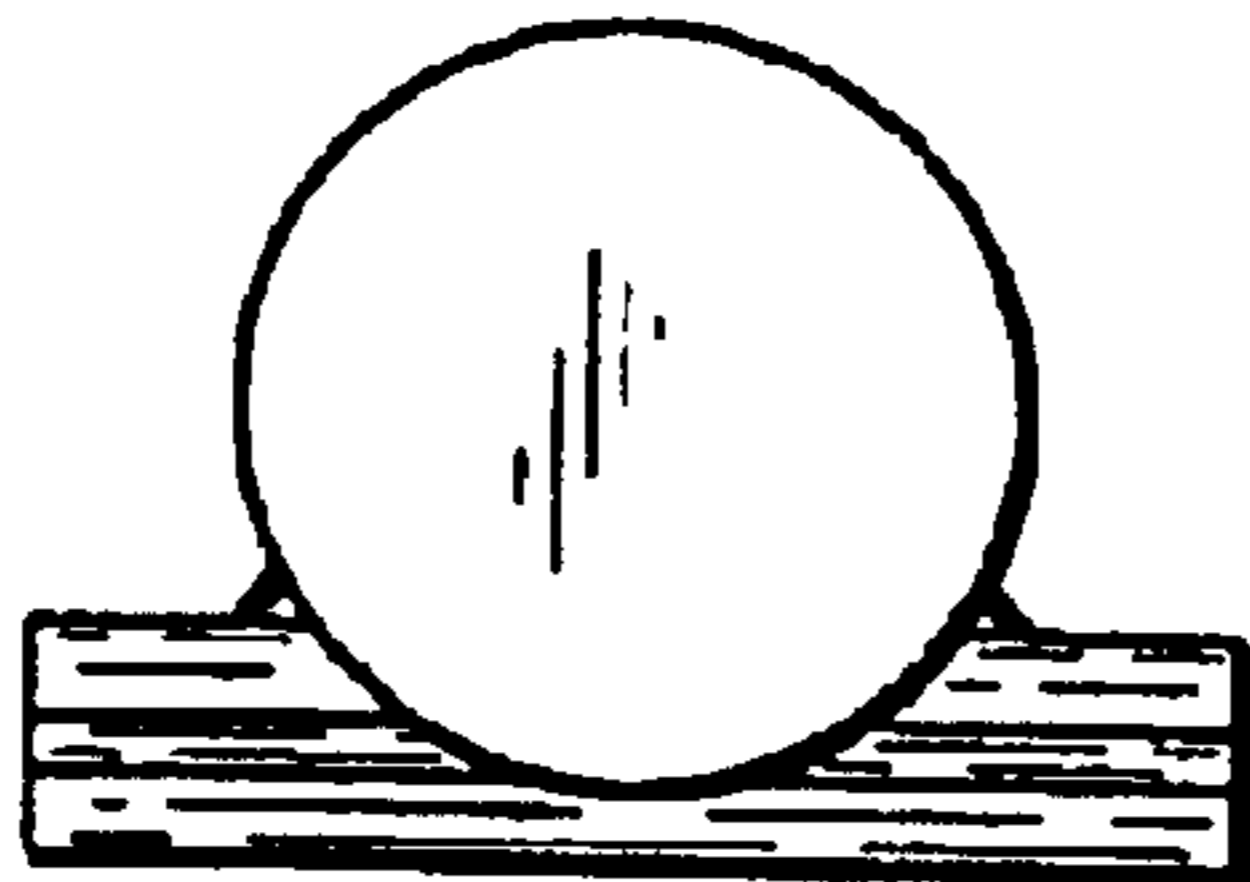
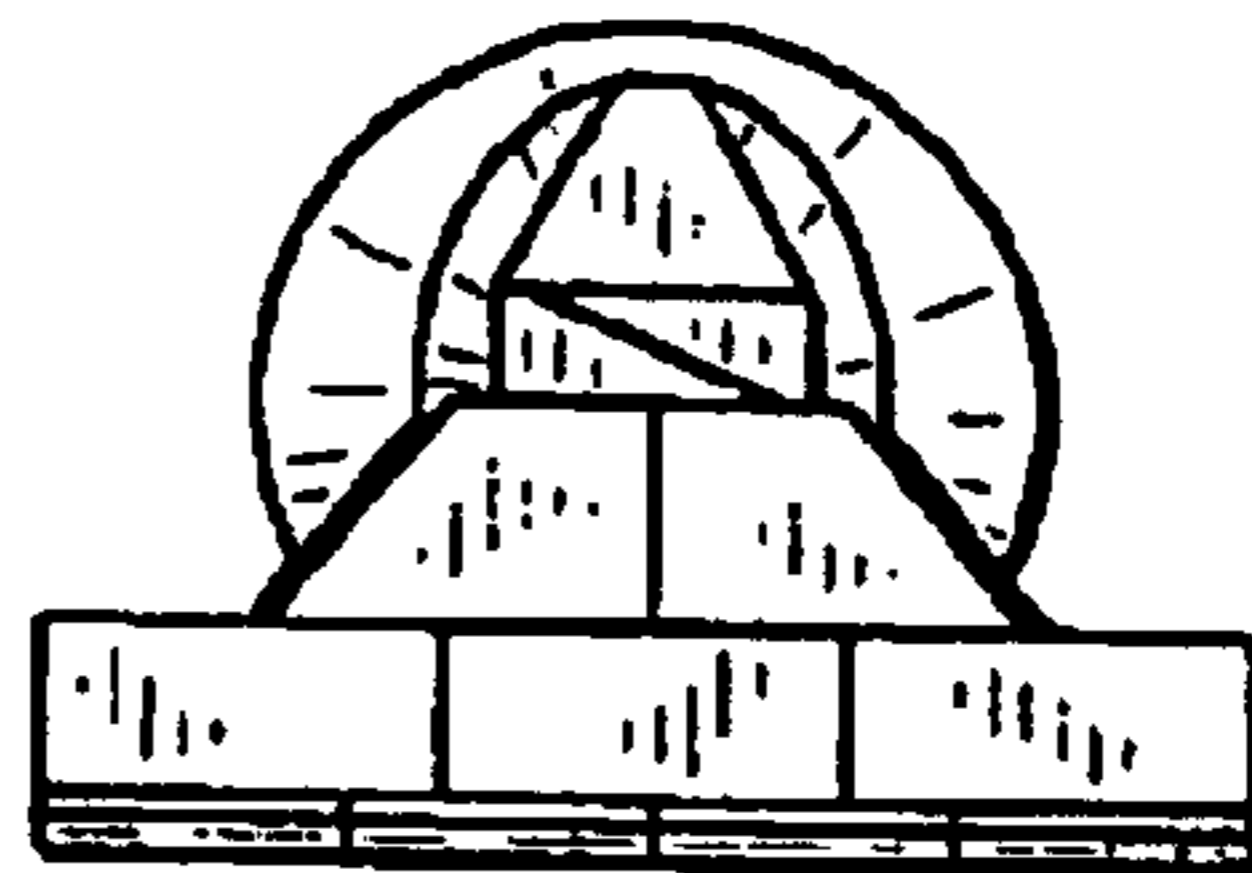


FIG. 15



UNITED STATES PATENT AND TRADEMARK OFFICE
CERTIFICATE OF CORRECTION

PATENT NO. : Des. 491,431 S
DATED : June 15, 2004
INVENTOR(S) : Josef Theurer and Friedrich Peitl

Page 1 of 1

It is certified that error appears in the above-identified patent and that said Letters Patent is hereby corrected as shown below:

Title page.

Please add priority data as follows:

-- [30] **Foreign Application Priority Data**

January 18, 2002 (AT) ... MU 169/2002
January 18, 2002 (AT) ... MU 170/2002
January 18, 2002 (AT) ... MU 171/2002
January 18, 2002 (AT) ... MU 172/2002
January 18, 2002 (AT) ... MU 173/2002
January 18, 2002 (AT) ... MU 174/2002
January 18, 2002 (AT) ... MU 175/2002
January 18, 2002 (AT) ... MU 176/2002
January 18, 2002 (AT) ... MU 177/2002
January 18, 2002 (AT) ... MU 178/2002
January 18, 2002 (AT) ... MU 179/2002
January 18, 2002 (AT) ... MU 180/2002

--

Signed and Sealed this

Twenty-first Day of December, 2004



JON W. DUDAS

Director of the United States Patent and Trademark Office