



US00D491430S

(12) **United States Design Patent**
Magno, Jr. et al.

(10) **Patent No.:** **US D491,430 S**
(45) **Date of Patent:** **** Jun. 15, 2004**

(54) **CABLE TIE INSTALLATION TOOL**
(75) Inventors: **Joey D. Magno, Jr.**, Cordova, TN
(US); **Brian A. Pope**, Bartlett, TN (US)
(73) Assignee: **Thomas & Betts International, Inc.**,
Sparks, NV (US)

5,667,143 A 9/1997 Sebion et al.
5,769,133 A 6/1998 Dyer et al.
5,915,425 A 6/1999 Nilsson et al.
D430,781 S 9/2000 Hillegonds
6,206,053 B1 * 3/2001 Hillegonds 140/123.6

(**) Term: **14 Years**

(21) Appl. No.: **29/185,985**
(22) Filed: **Jul. 7, 2003**

(51) **LOC (7) Cl.** **08-05**
(52) **U.S. Cl.** **D8/44**
(58) **Field of Search** D8/44, 51, 68;
140/123.6

OTHER PUBLICATIONS

Fiskars, "PowerGear Bypass Pruner", The Home Depot, before May 20, 2003 (approximately Feb. 2003), enlargement of illustration.
Fiskars, "Ergonomics, The Development of Vineyard Cutting Tools", Aug. 29, 2003.

* cited by examiner

Primary Examiner—Holly Baynham
(74) *Attorney, Agent, or Firm*—Hoffmann & Baron, LLP

(56) **References Cited**

U.S. PATENT DOCUMENTS

3,157,361 A 11/1964 Heard
4,083,497 A 4/1978 Rosenberger
4,093,005 A 6/1978 Eberhardt et al.
RE29,973 E 4/1979 Paradis
4,192,358 A 3/1980 Bone
4,410,019 A * 10/1983 Suzuki 140/123.6
4,548,242 A 10/1985 Paradis
4,609,149 A 9/1986 Jessen
4,793,385 A 12/1988 Dyer et al.
D306,390 S * 3/1990 Dyer D8/44
4,997,011 A 3/1991 Dyer et al.
5,176,327 A 1/1993 Petersen et al.
5,492,156 A 2/1996 Dyer et al.
D370,962 S 6/1996 Aquilina

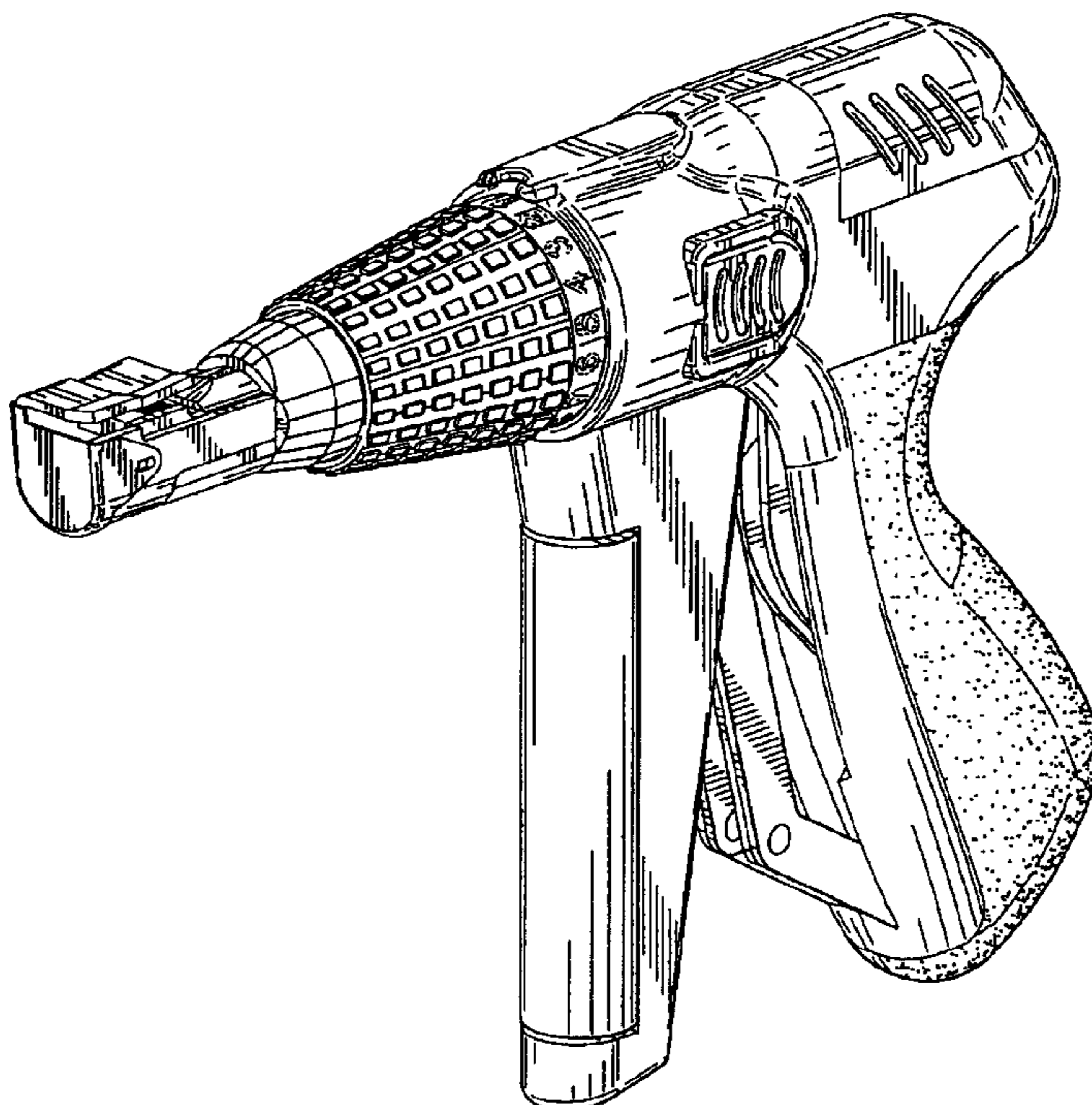
(57) **CLAIM**

The ornamental design for the cable tie installation tool, as shown and described.

DESCRIPTION

FIG. 1 is a top, right, front perspective view of the cable tie installation tool of the present invention;
FIG. 2 is a front elevation view of the tool of FIG. 1;
FIG. 3 is a left side elevation view of the tool of FIG. 1;
FIG. 4 is a right side elevation view of the tool of FIG. 1;
FIG. 5 is a rear elevation view of the tool of FIG. 1;
FIG. 6 is a top plan view of the tool of FIG. 1; and,
FIG. 7 is a bottom plan view of the tool of FIG. 1.
The broken line showing of numbers is for illustrative purposes only and forms no part of the claimed design.

1 Claim, 4 Drawing Sheets



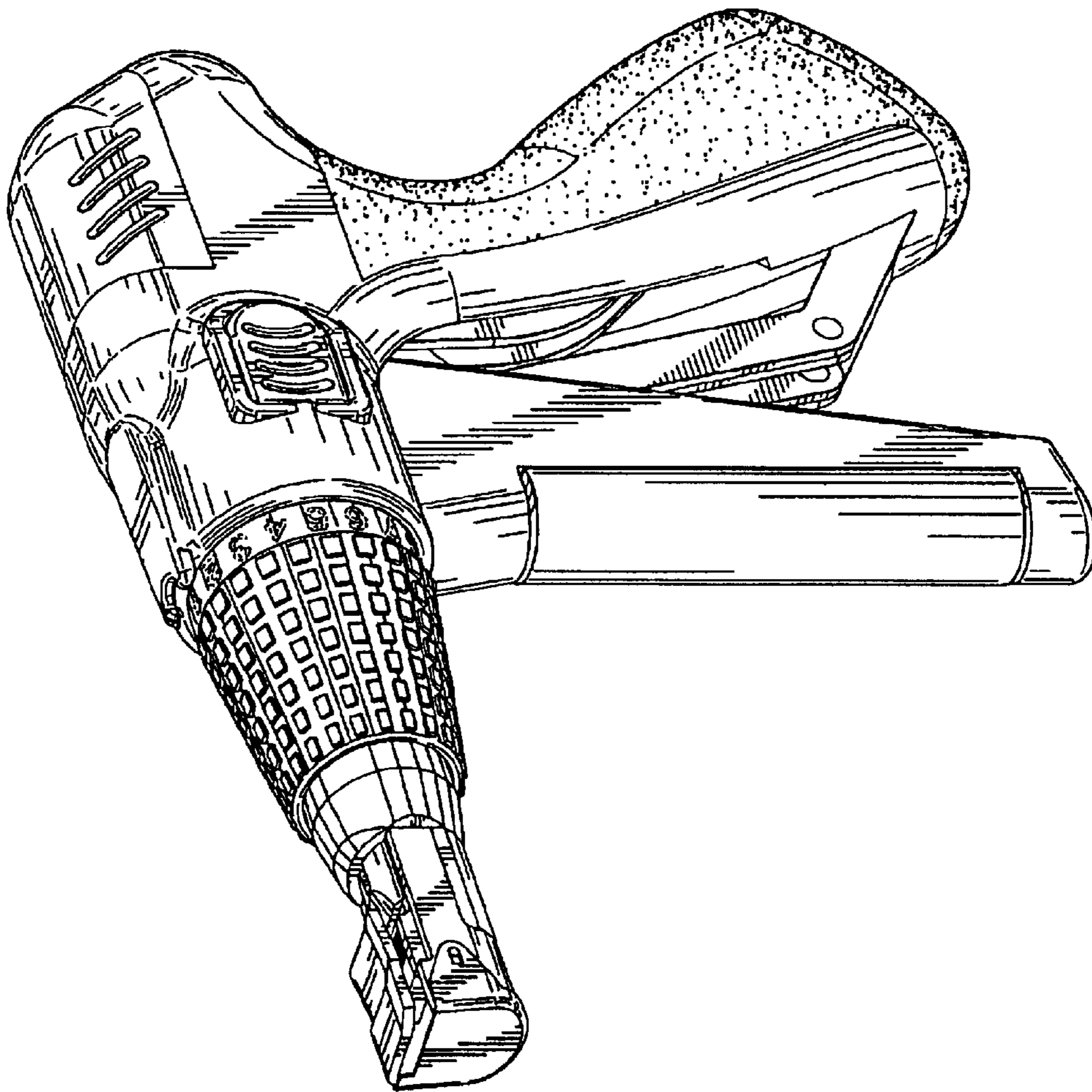


FIG. 1

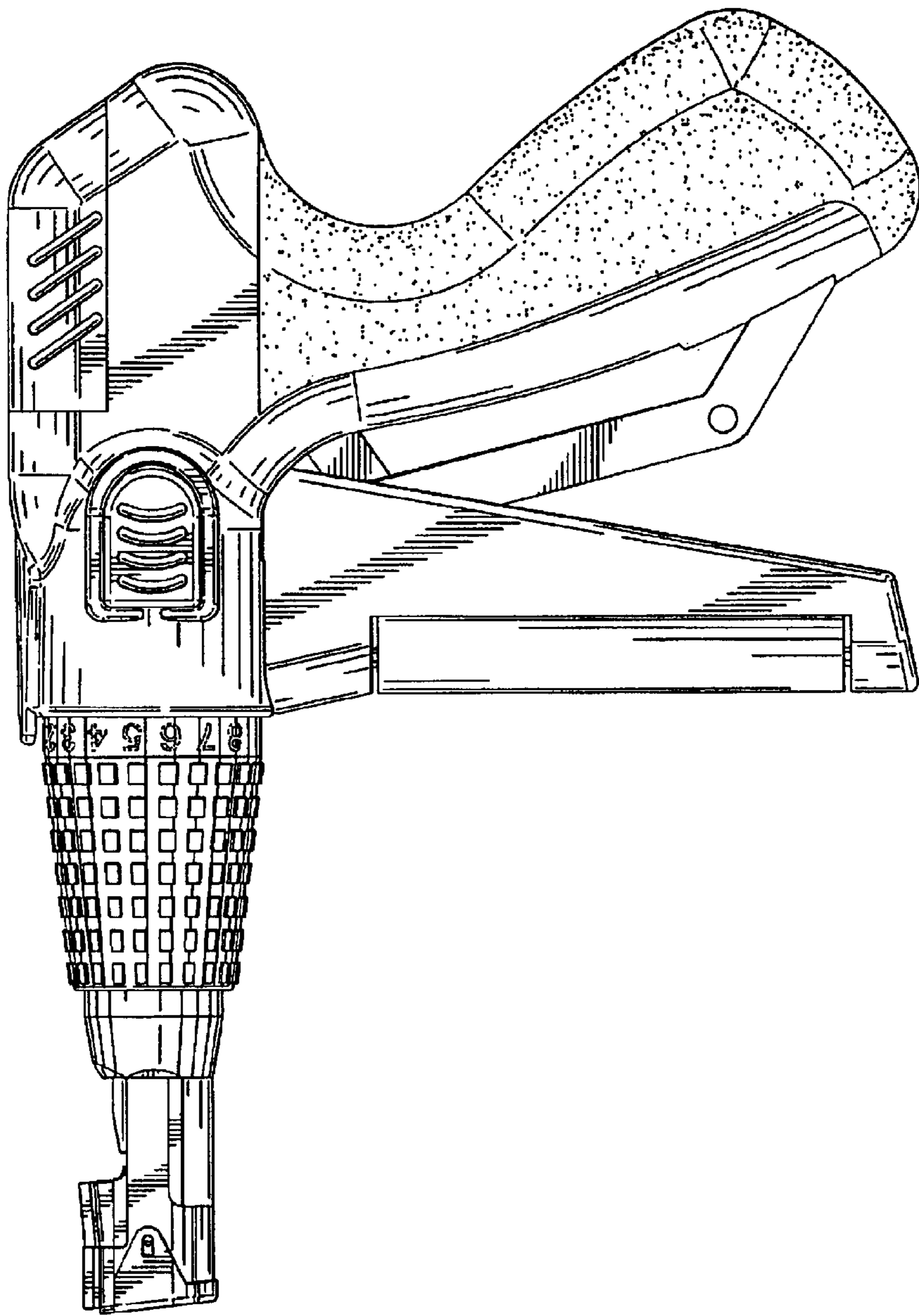


FIG. 2

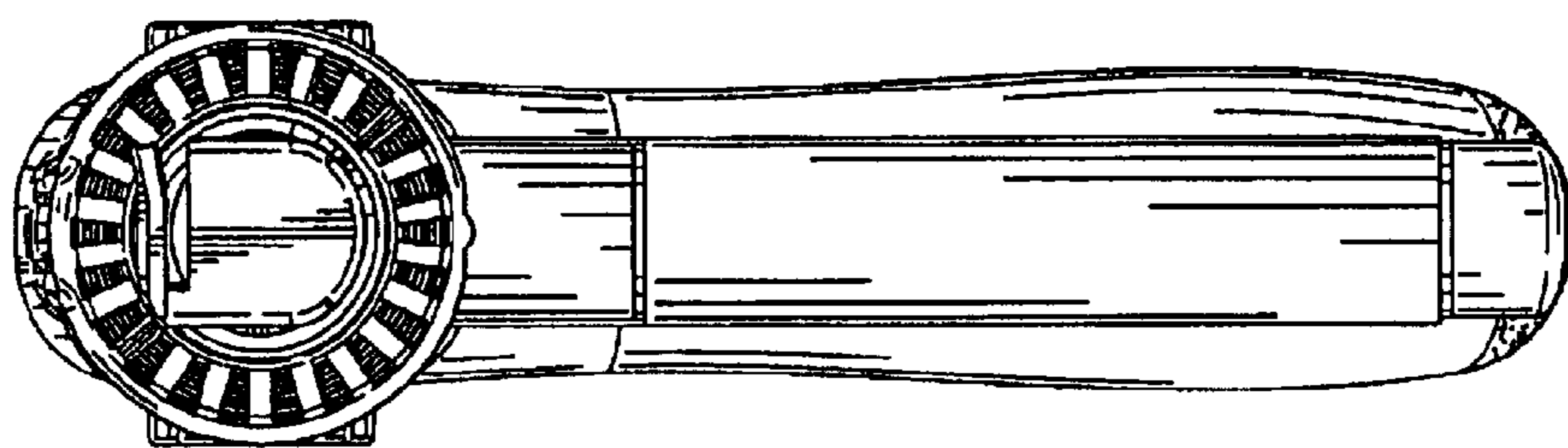


FIG. 3

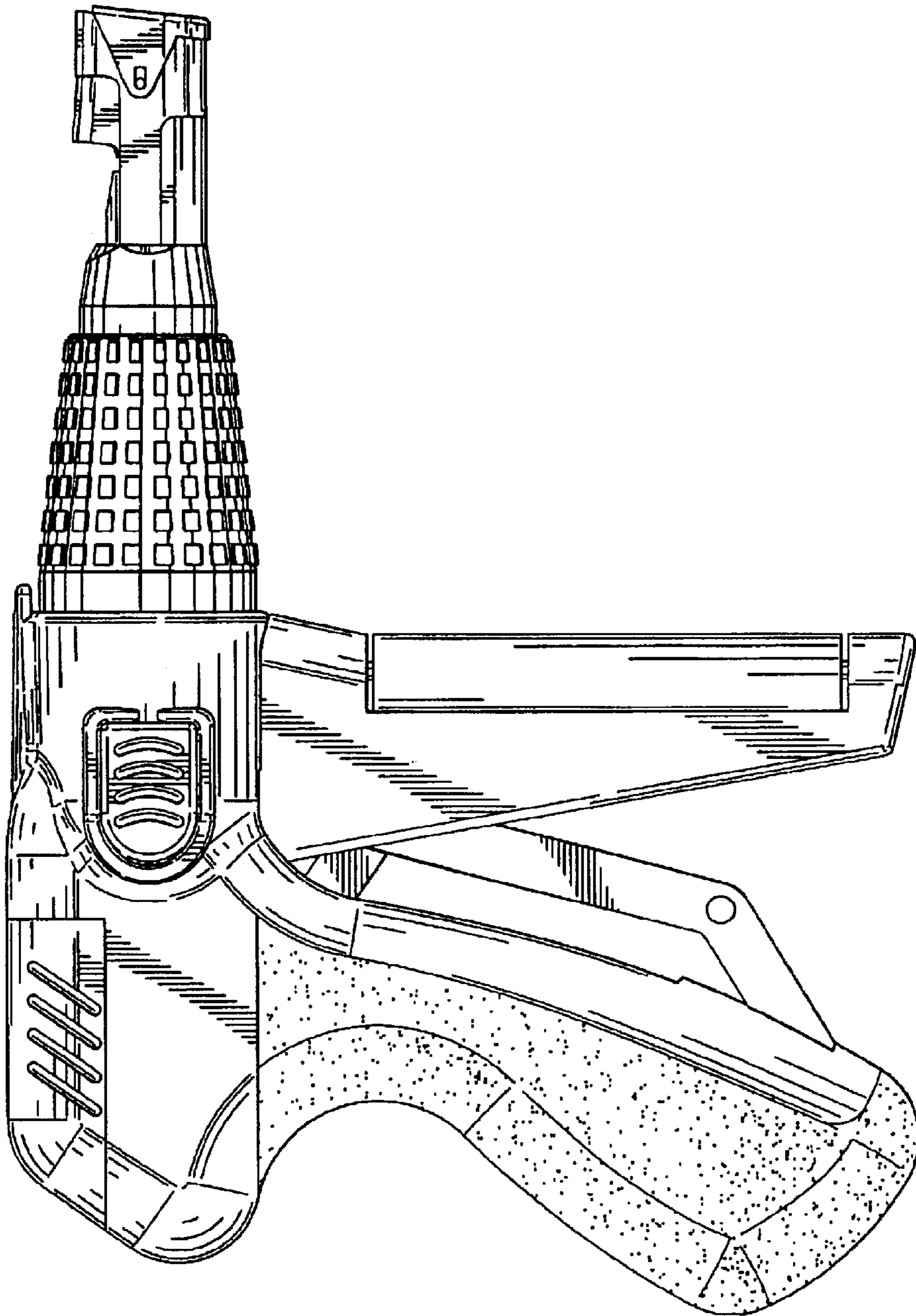


FIG. 4

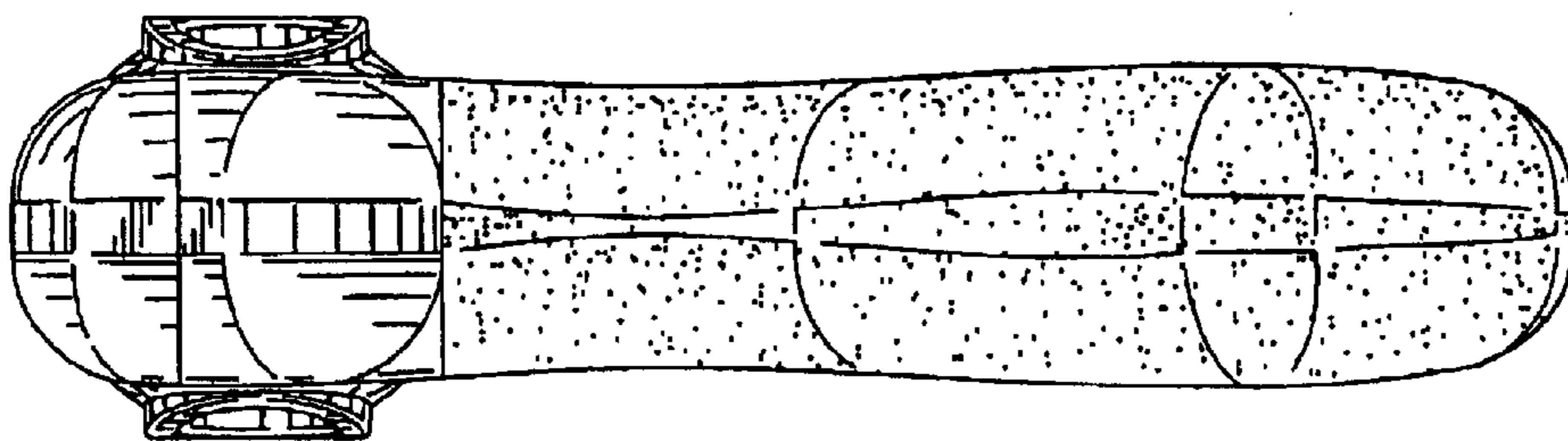


FIG. 5

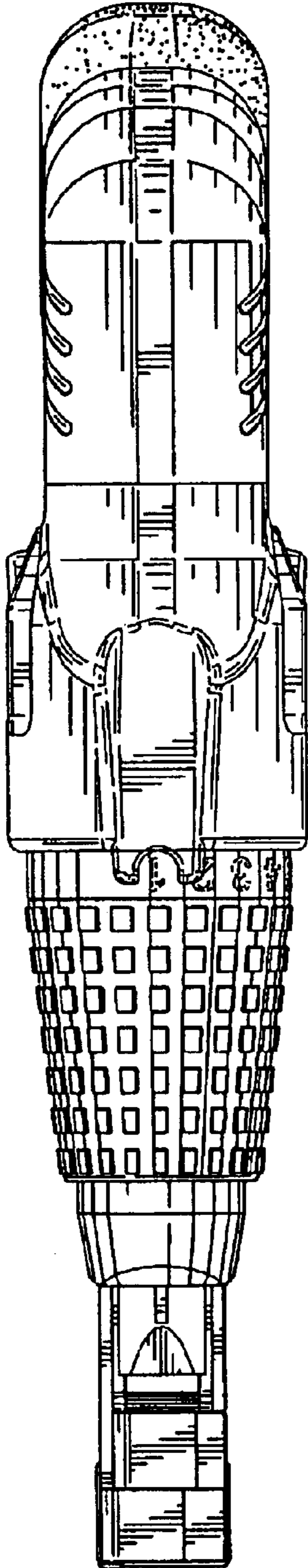


FIG. 6

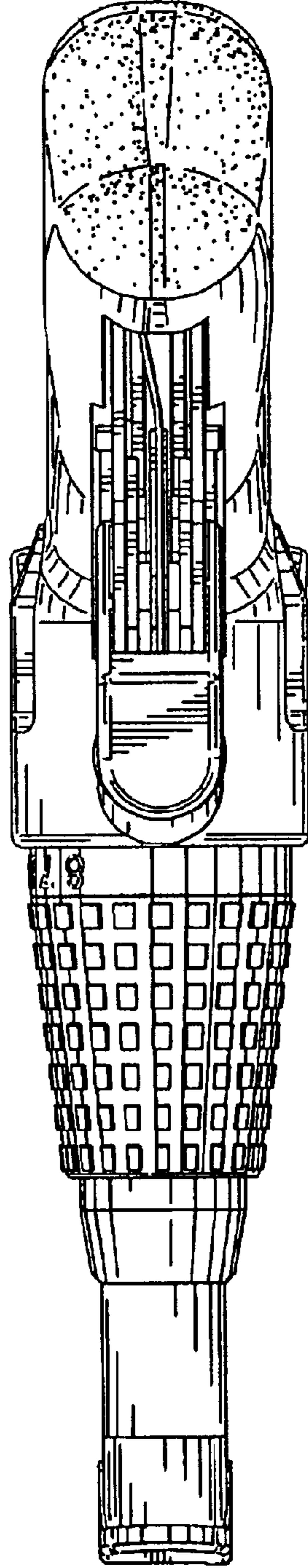


FIG. 7