



US00D491420S

(12) **United States Design Patent**  
**Shibata et al.**

(10) **Patent No.:** **US D491,420 S**

(45) **Date of Patent:** **\*\* Jun. 15, 2004**

(54) **CHILD FORK**

5,669,143 A \* 9/1997 Wu ..... 30/324

(75) Inventors: **Fumie Shibata**, Tokyo (JP); **Yuuki Shibata**, Tokyo (JP); **Masatoshi Doi**, Saitama (JP); **Makoto Oyama**, Saitama (JP)

**FOREIGN PATENT DOCUMENTS**

GB 2067543 \* 3/1997

\* cited by examiner

(73) Assignee: **Combi Corporation**, Tokyo (JP)

*Primary Examiner*—Caron D. Veynar

(\*\*) Term: **14 Years**

(74) *Attorney, Agent, or Firm*—Birch, Stewart, Kolasch & Birch, LLP

(21) Appl. No.: **29/181,038**

(57) **CLAIM**

(22) Filed: **May 5, 2003**

The ornamental design for a child fork, as shown and described.

(30) **Foreign Application Priority Data**

**DESCRIPTION**

Nov. 5, 2002 (JP) ..... 2002-030317

(51) **LOC (7) Cl.** ..... **07-03**

(52) **U.S. Cl.** ..... **D7/653**

(58) **Field of Search** ..... D7/642-645, 653-664, D7/401.2; 30/147-150, 322-328

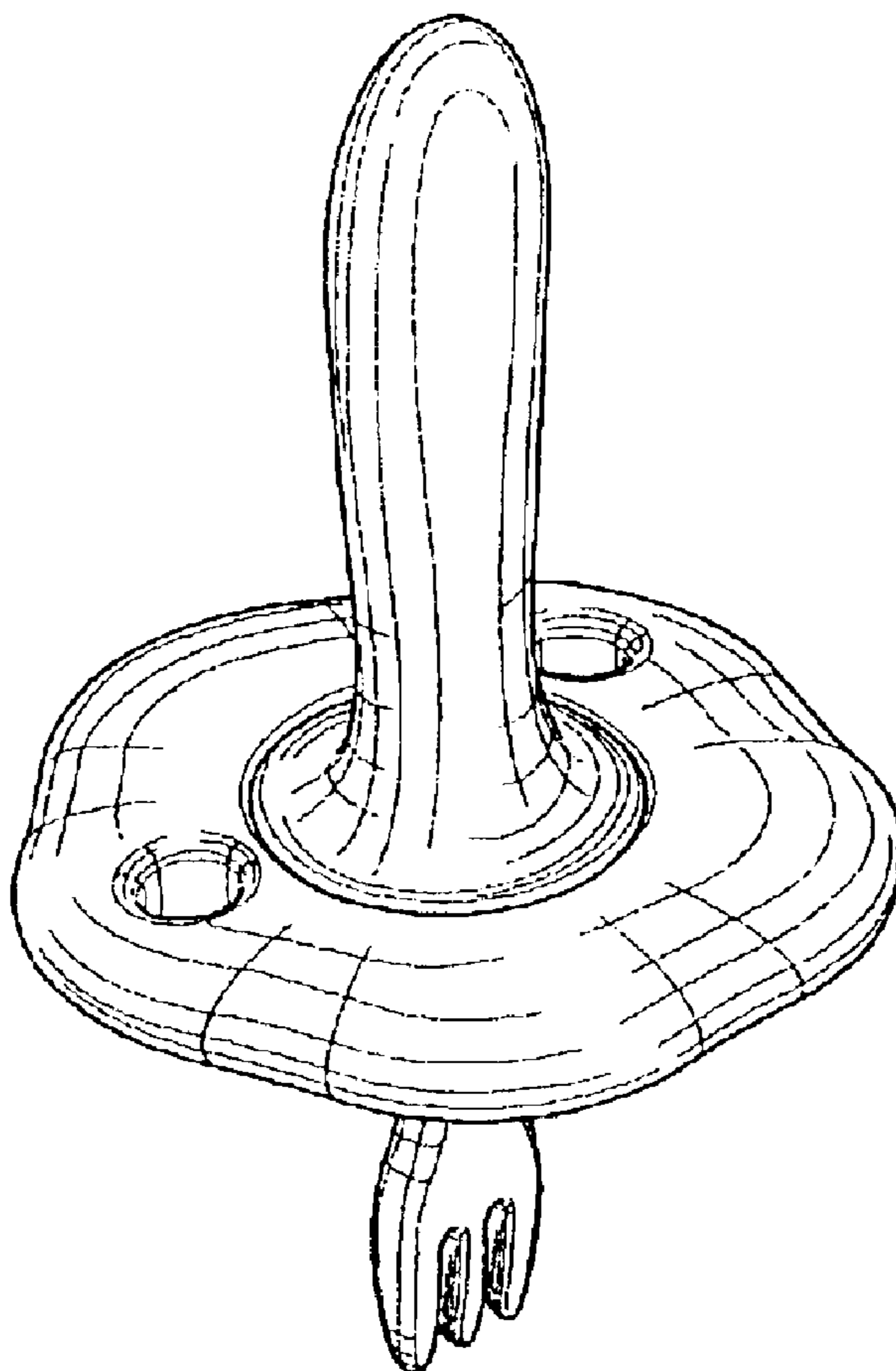
FIG. 1 is a front perspective view of a child fork showing our new design;  
FIG. 2 is a front elevational view thereof;  
FIG. 3 is a left side view thereof;  
FIG. 4 is a right side elevational view thereof;  
FIG. 5 is a rear elevational view thereof;  
FIG. 6 is a top plan view thereof; and,  
FIG. 7 is a bottom plan view thereof.

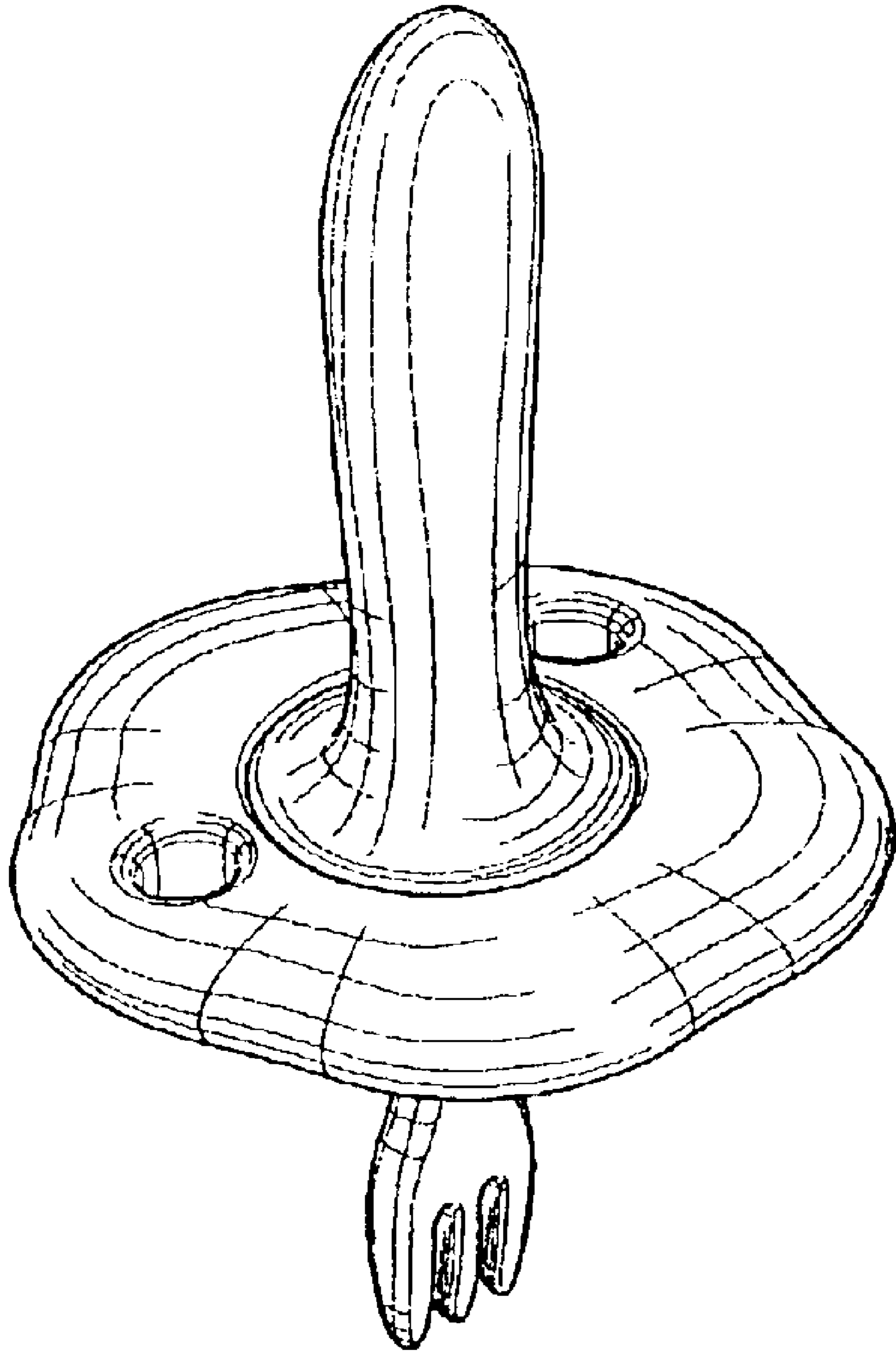
(56) **References Cited**

**U.S. PATENT DOCUMENTS**

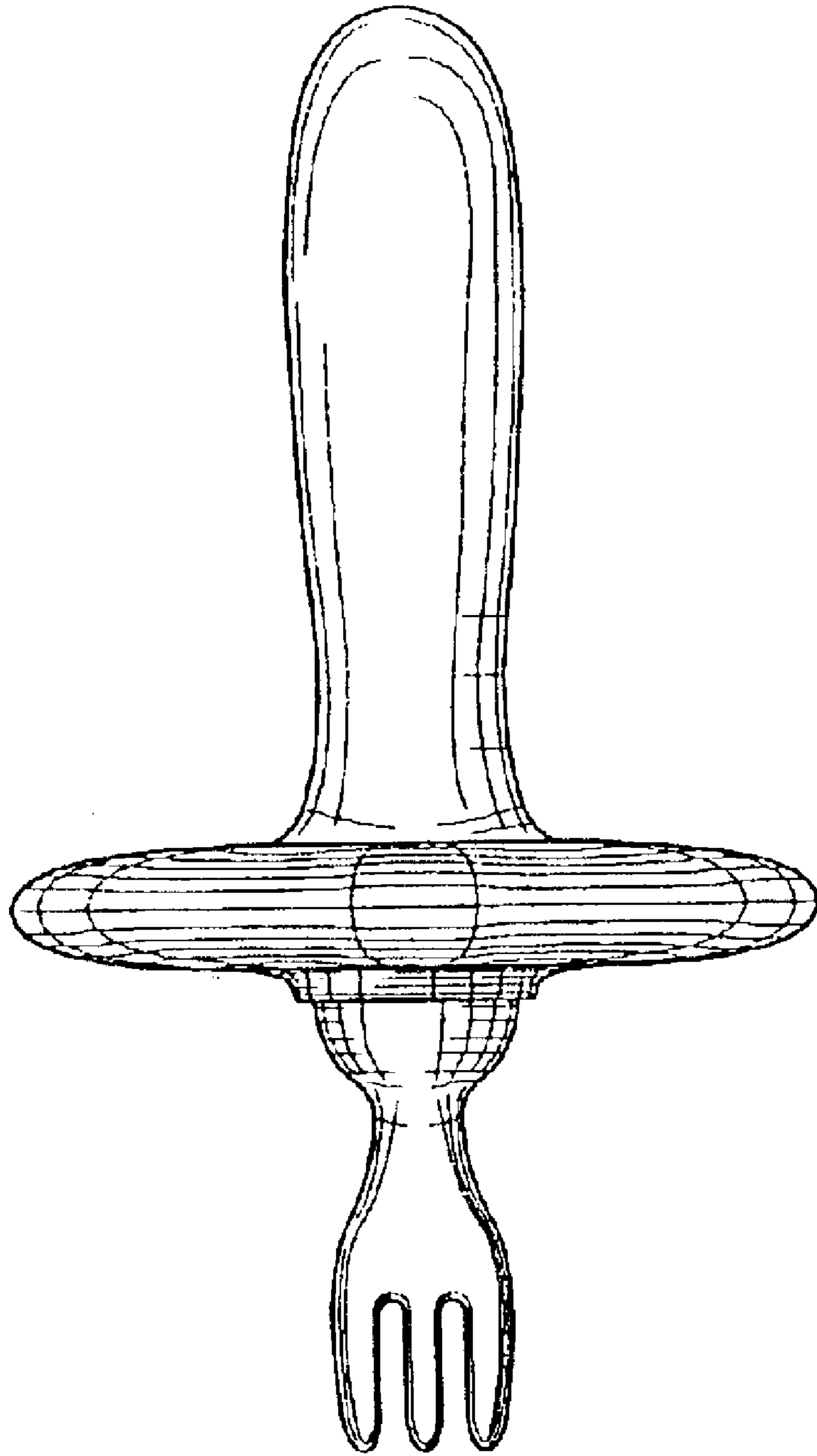
D339,036 S \* 9/1993 McDaniel ..... D7/653

**1 Claim, 7 Drawing Sheets**

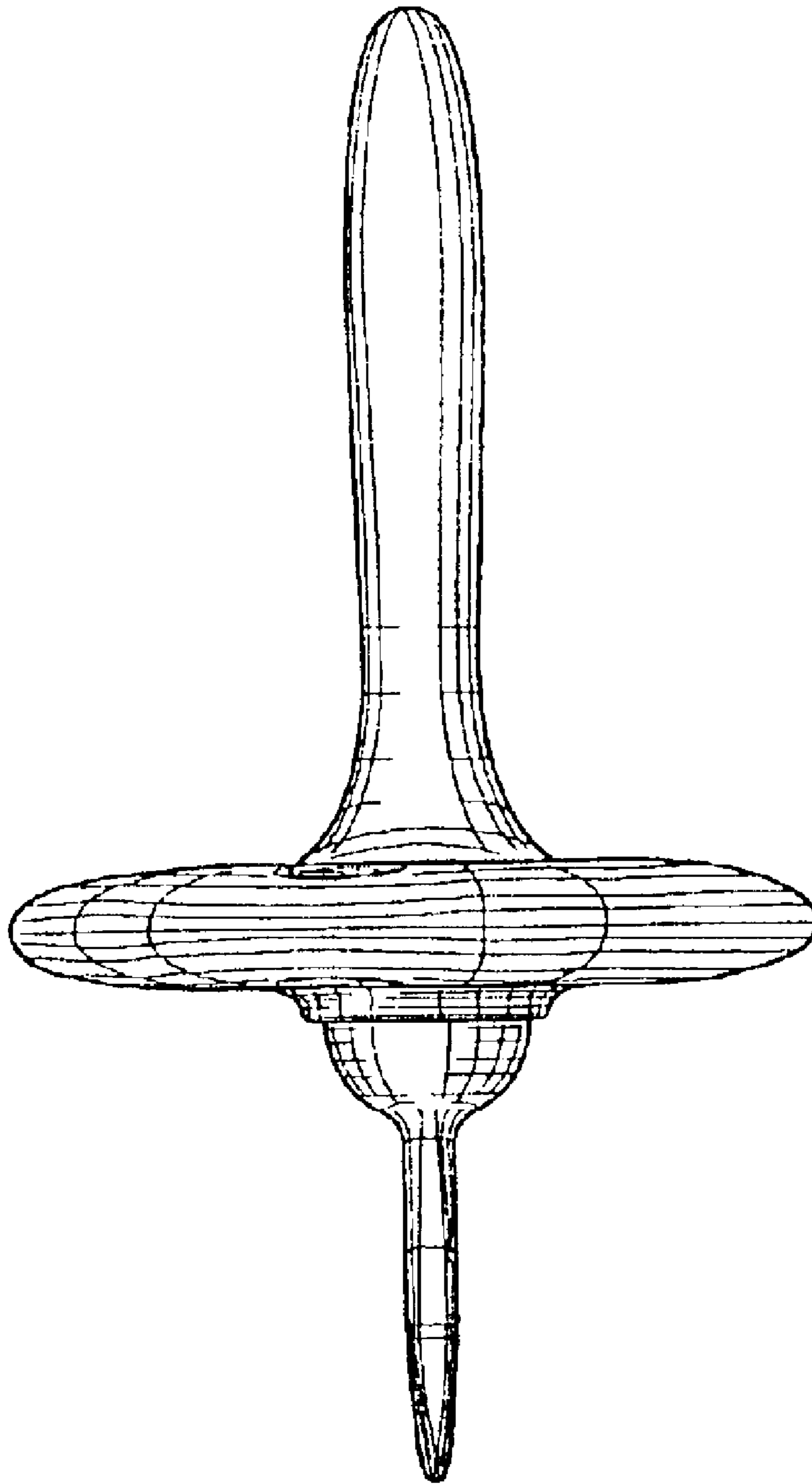




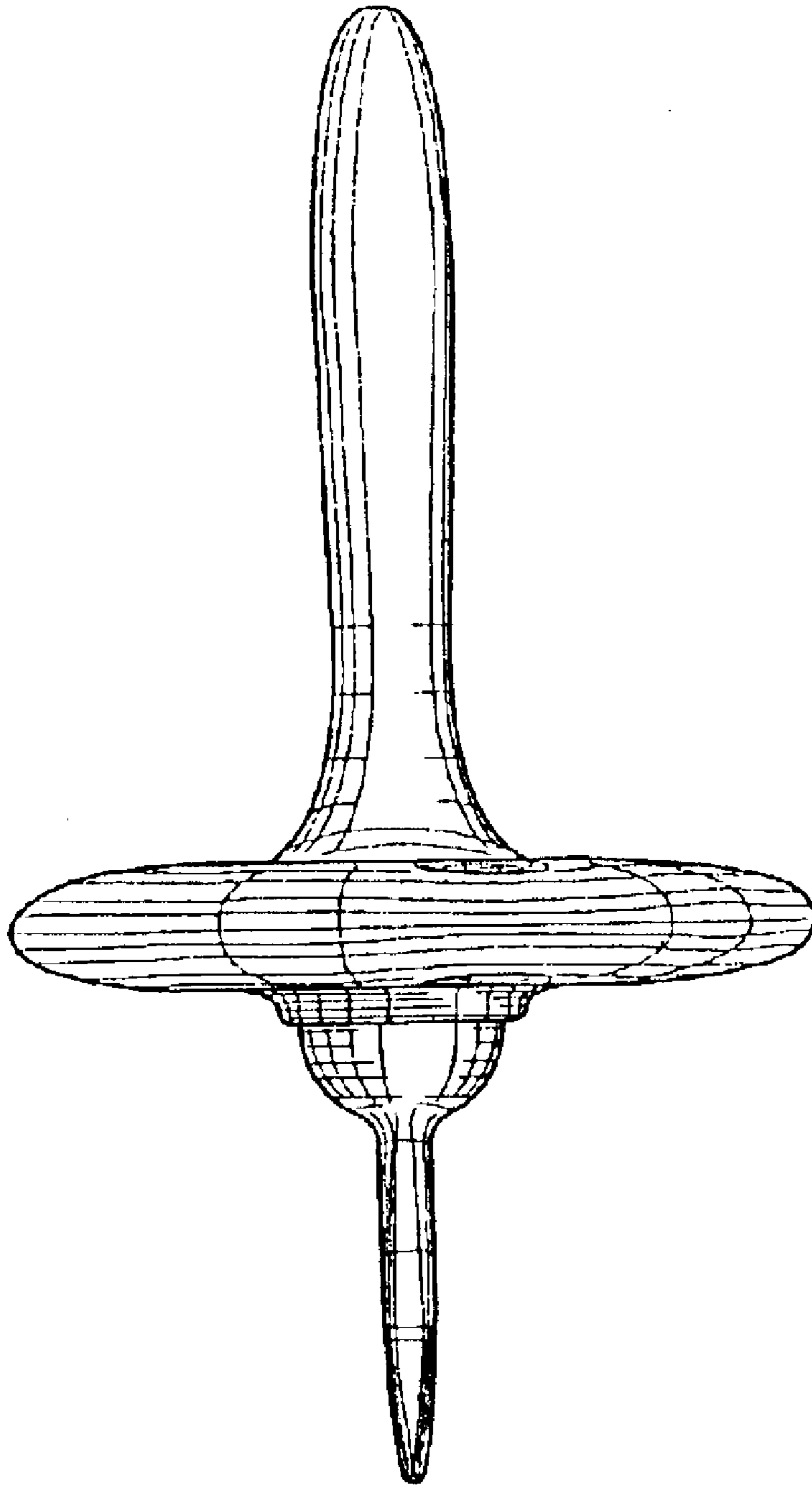
**FIG. 1**



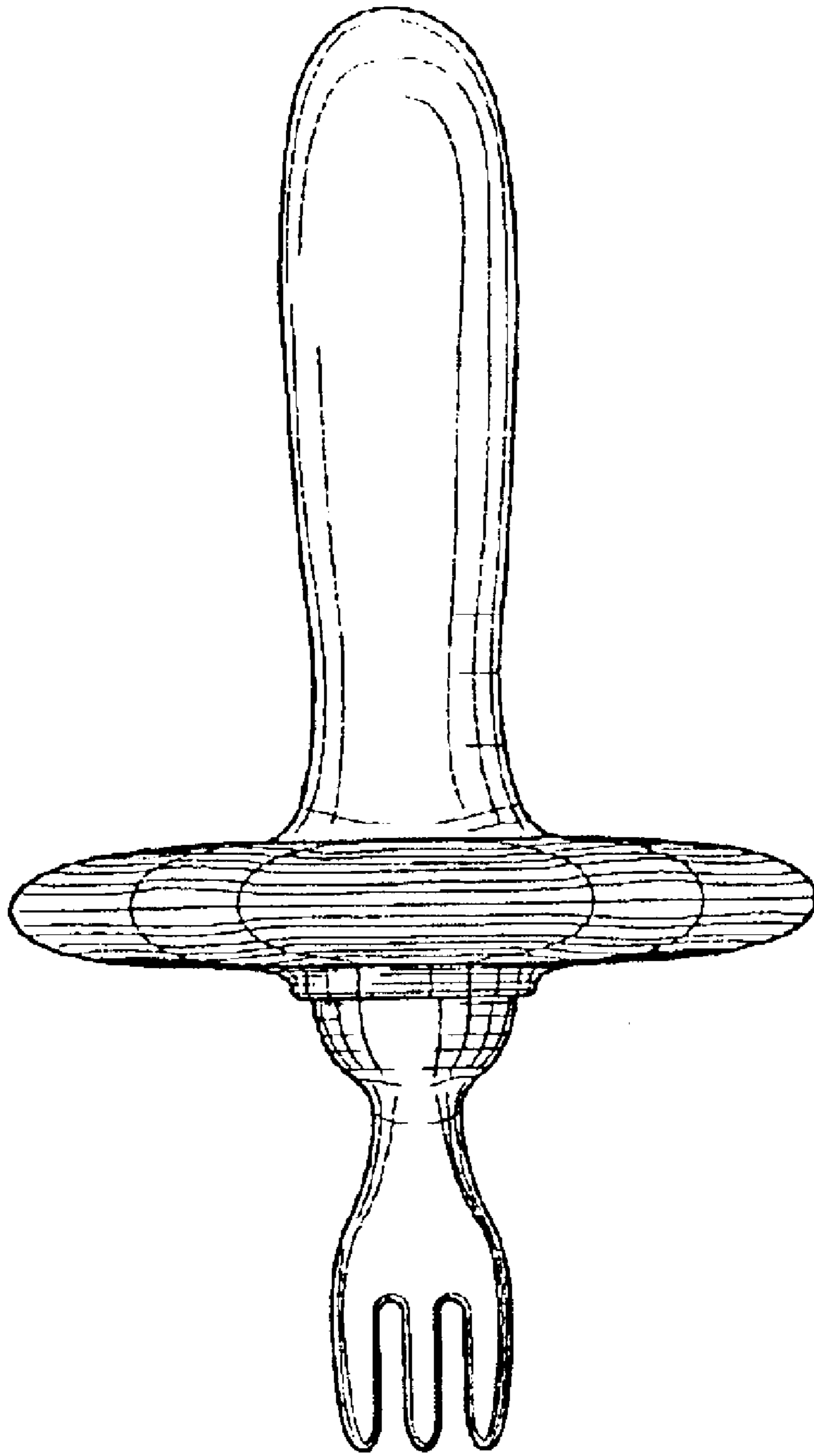
**FIG. 2**



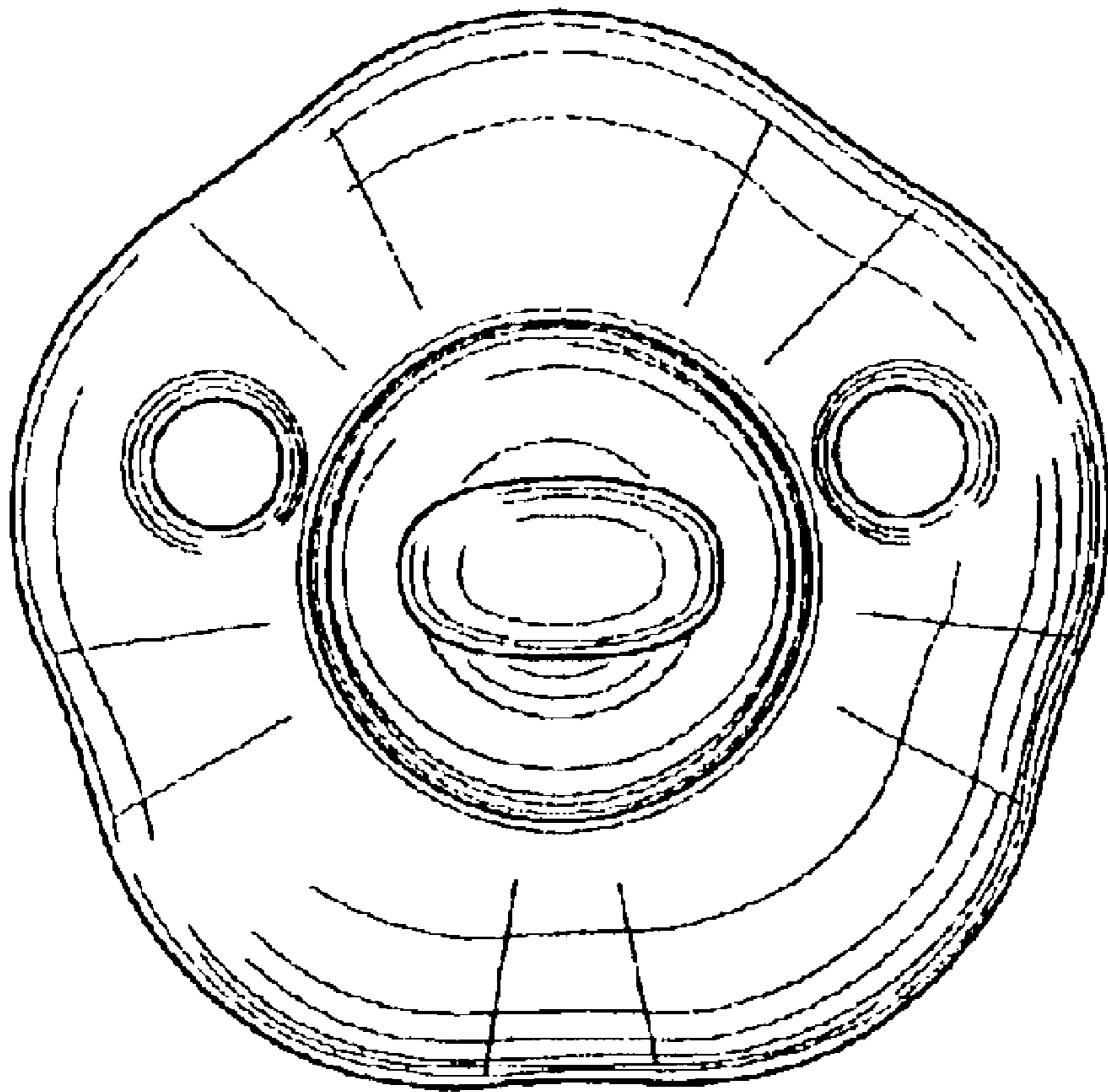
**FIG. 3**



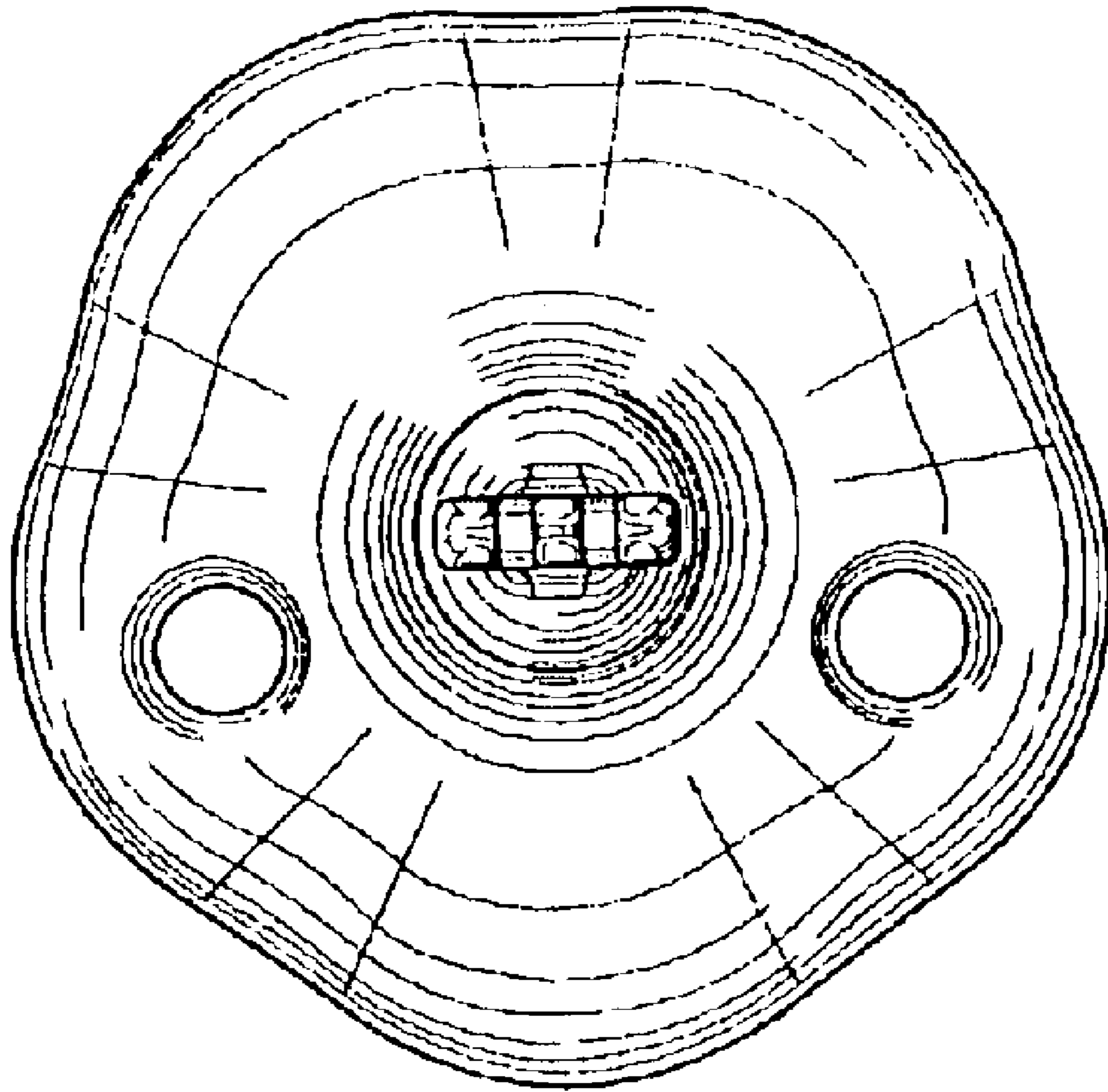
**FIG. 4**



**FIG. 5**



**FIG. 6**



**FIG. 7**