



US00D491418S

(12) **United States Design Patent**  
**Marlow**

(10) **Patent No.:** **US D491,418 S**  
(45) **Date of Patent:** **\*\* Jun. 15, 2004**

(54) **CORDLESS FISH FILET KNIFE WITH SERRATED BLADES**

(76) Inventor: **Phillip G. Marlow**, 1030 Monroe, Carlyle, IL (US) 62231

(\*\*) Term: **14 Years**

(21) Appl. No.: **29/181,232**

(22) Filed: **May 8, 2003**

(51) **LOC (7) Cl.** ..... **07-03**

(52) **U.S. Cl.** ..... **D7/646; D7/650**

(58) **Field of Search** ..... D7/642, 645, 649-652, D7/401.2; 30/147-150, 329, 340, 342-345, 123, 142, DIG. 1; 206/372; D8/98; D22/117, 118

(56) **References Cited**

**U.S. PATENT DOCUMENTS**

2,352,013	A	*	6/1944	Ervin	.....	30/340
D151,238	S		10/1948	Heintzelman	.....	D7/693
D178,453	S	*	8/1956	Jorge	.....	D7/649
4,815,169	A		3/1989	Valleau		
5,313,376	A		5/1994	McIntosh		
D348,184	S		6/1994	Neshat et al.	.....	D7/646

D351,766	S	*	10/1994	McClosky et al.	.....	D7/646
D413,232	S	*	8/1999	Conner	.....	D7/649
D447,015	S	*	8/2001	Chien	.....	D7/649
D448,628	S	*	10/2001	Yang	.....	D7/649
D449,207	S	*	10/2001	Miller	.....	D7/646
6,341,425	B1		1/2002	Kahle	.....	30/277.4

\* cited by examiner

*Primary Examiner*—Caron D. Veynar

(74) *Attorney, Agent, or Firm*—Donald R. Schoonover

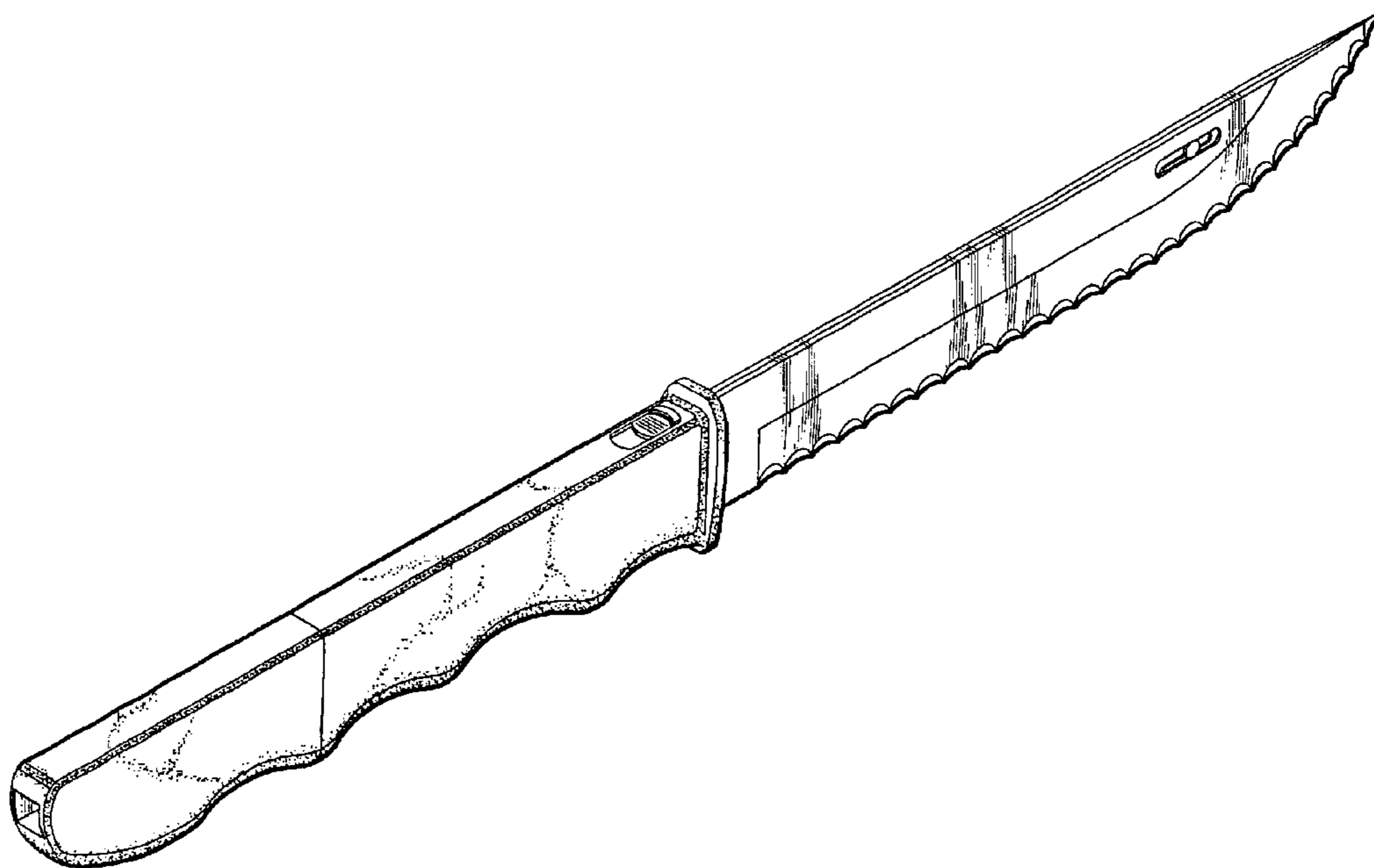
(57) **CLAIM**

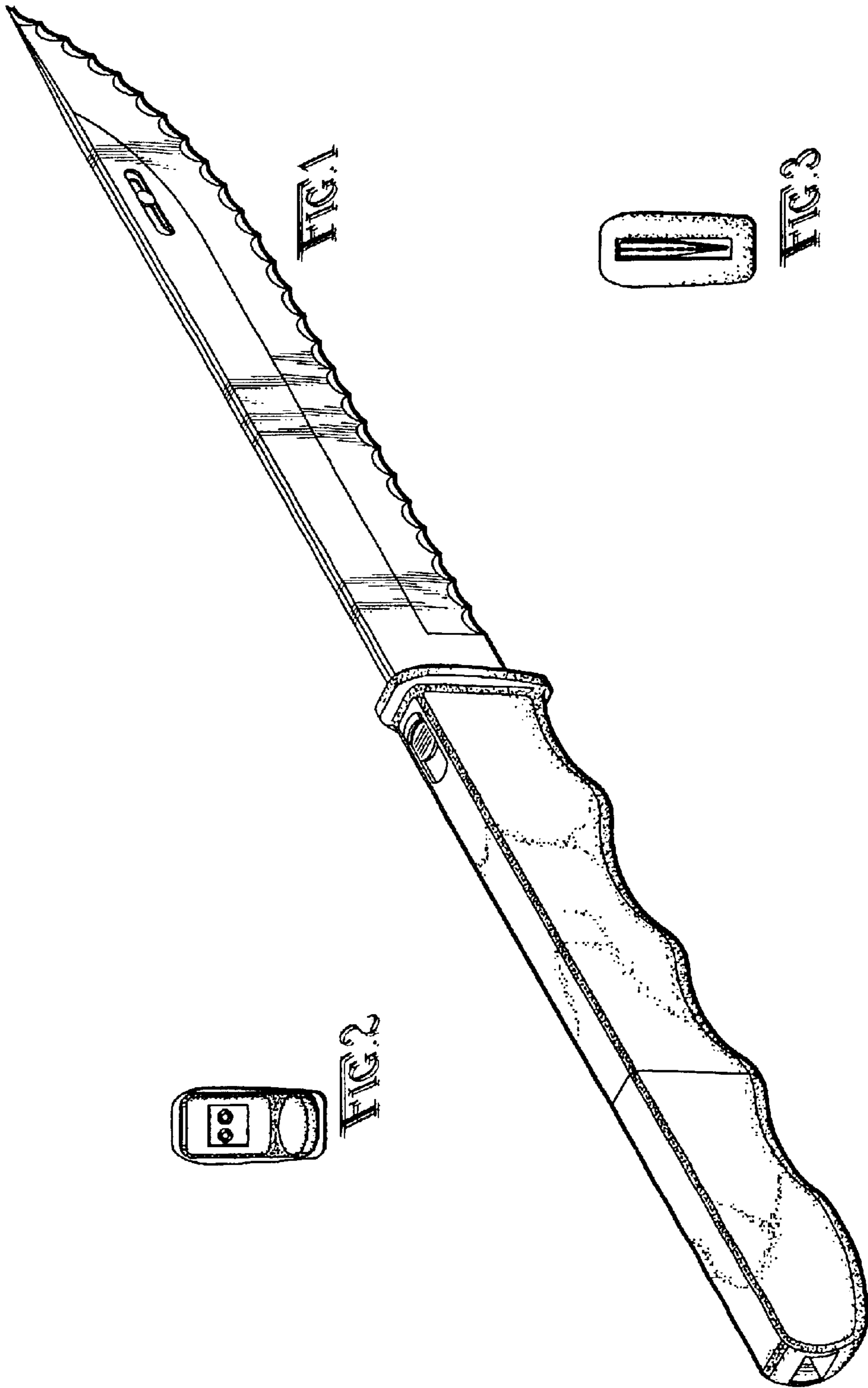
I claim the ornamental design for a cordless fish filet knife with serrated blades, as shown and described.

**DESCRIPTION**

FIG. 1 is a perspective view of a cordless fish filet knife with serrated blades showing my new design;  
FIG. 2 is a rear elevational view thereof;  
FIG. 3 is a front elevational view thereof;  
FIG. 4 is a top plan view thereof;  
FIG. 5 is a right side elevational view thereof;  
FIG. 6 is a left side elevational view thereof; and,  
FIG. 7 is a bottom plan view thereof.

**1 Claim, 3 Drawing Sheets**





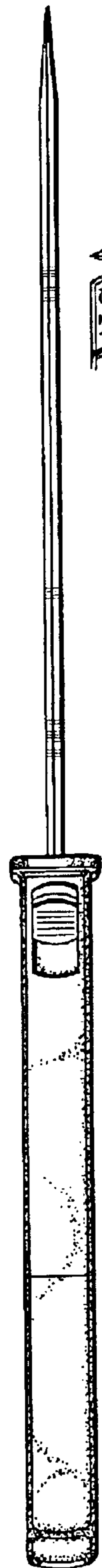


FIG. A

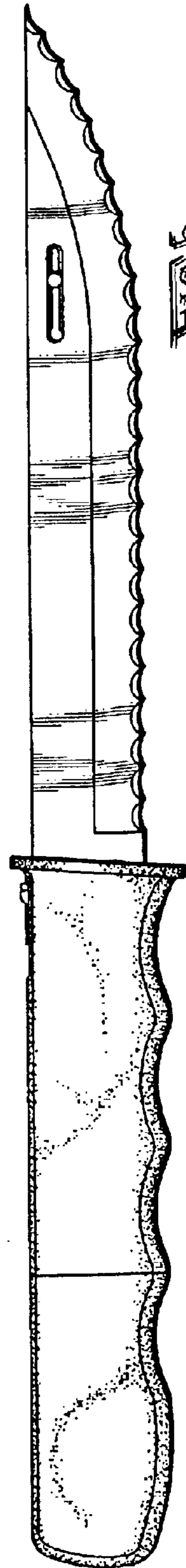


FIG. B

