



US00D491416S

(12) **United States Design Patent**
Pascotti

(10) **Patent No.:** **US D491,416 S**
(45) **Date of Patent:** **** Jun. 15, 2004**

(54) **BLENDER**

(75) Inventor: **James Pascotti**, Harrisburg, PA (US)

(73) Assignee: **L'Equip, Inc.**, Lemoyne, PA (US)

(**) Term: **14 Years**

(21) Appl. No.: **29/164,724**

(22) Filed: **Jul. 30, 2002**

(51) **LOC (7) Cl.** **31-00**

(52) **U.S. Cl.** **D7/412; D7/378; D10/98;**
D10/126

(58) **Field of Search** D7/376-386, 412;
D10/96, 98, 102, 103, 123, 126; D12/114,
192; 73/493; 340/438, 441

(56) **References Cited**

U.S. PATENT DOCUMENTS

D56,212 S	*	8/1920	Ward	D12/192
D100,771 S	*	8/1936	Guild	D10/102
D109,639 S	*	5/1938	Gunn	D10/103
D160,766 S	*	11/1950	Booth	D10/49
D175,591 S	*	9/1955	Darr	D10/81
D192,939 S	*	5/1962	Blowers	D10/85
D200,494 S	*	3/1965	Bezark	D7/386
D212,306 S	*	9/1968	Minix	D10/102
D213,938 S	*	4/1969	Morris	D7/378
D220,187 S	*	3/1971	Moran et al.	D10/103
3,947,814 A	*	3/1976	Allen	340/441

D251,727 S	*	5/1979	Erlacher et al.	D12/192
5,437,185 A	*	8/1995	Panzica	73/493
D440,924 S	*	4/2001	Bartholomai	D12/192
D473,749 S	*	4/2003	Pascotti	D7/386

OTHER PUBLICATIONS

J.C. Whitney & Co. catalog No. 454D, pp. 83 and 84, Tachometers 88-9233T 2" Mini Tachometer and 12-3134P Stewart-Warner Mech. Tachometer.*

* cited by examiner

Primary Examiner—Caron D. Veynar

(74) *Attorney, Agent, or Firm*—Duane Morris LLP

(57) **CLAIM**

The ornamental design for a blender, as shown and described.

DESCRIPTION

FIG. 1 is a front perspective view of the blender according to the invention;

FIG. 2 is a front view of the blender;

FIG. 3 is a back view of the blender;

FIG. 4 is a right side view of the blender;

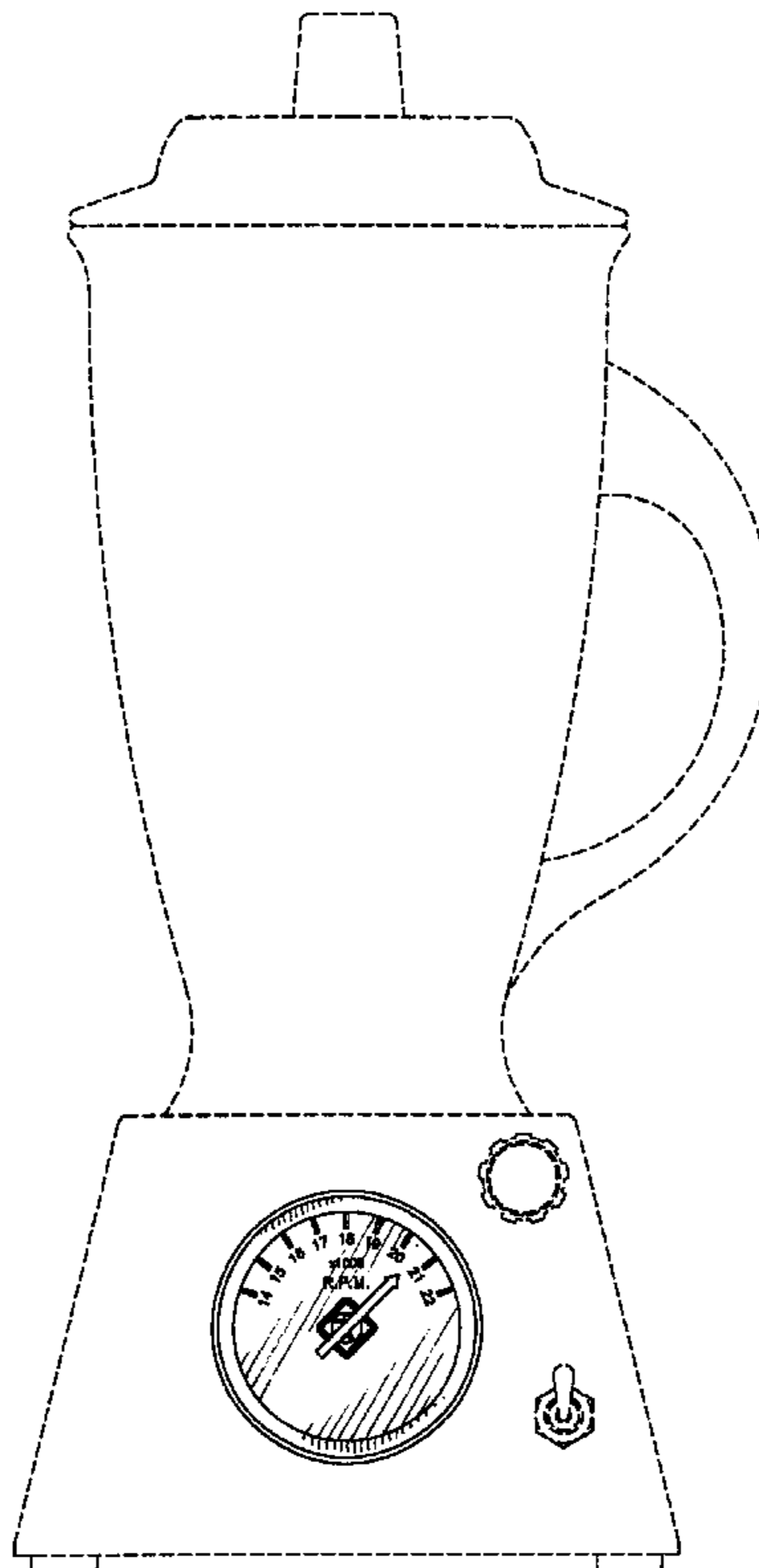
FIG. 5 is a left side view of the blender;

FIG. 6 is a top view of the blender; and,

FIG. 7 is a bottom view of the blender.

The broken line showing of structure is for illustrative purposes only and forms no part of the claimed design.

1 Claim, 6 Drawing Sheets



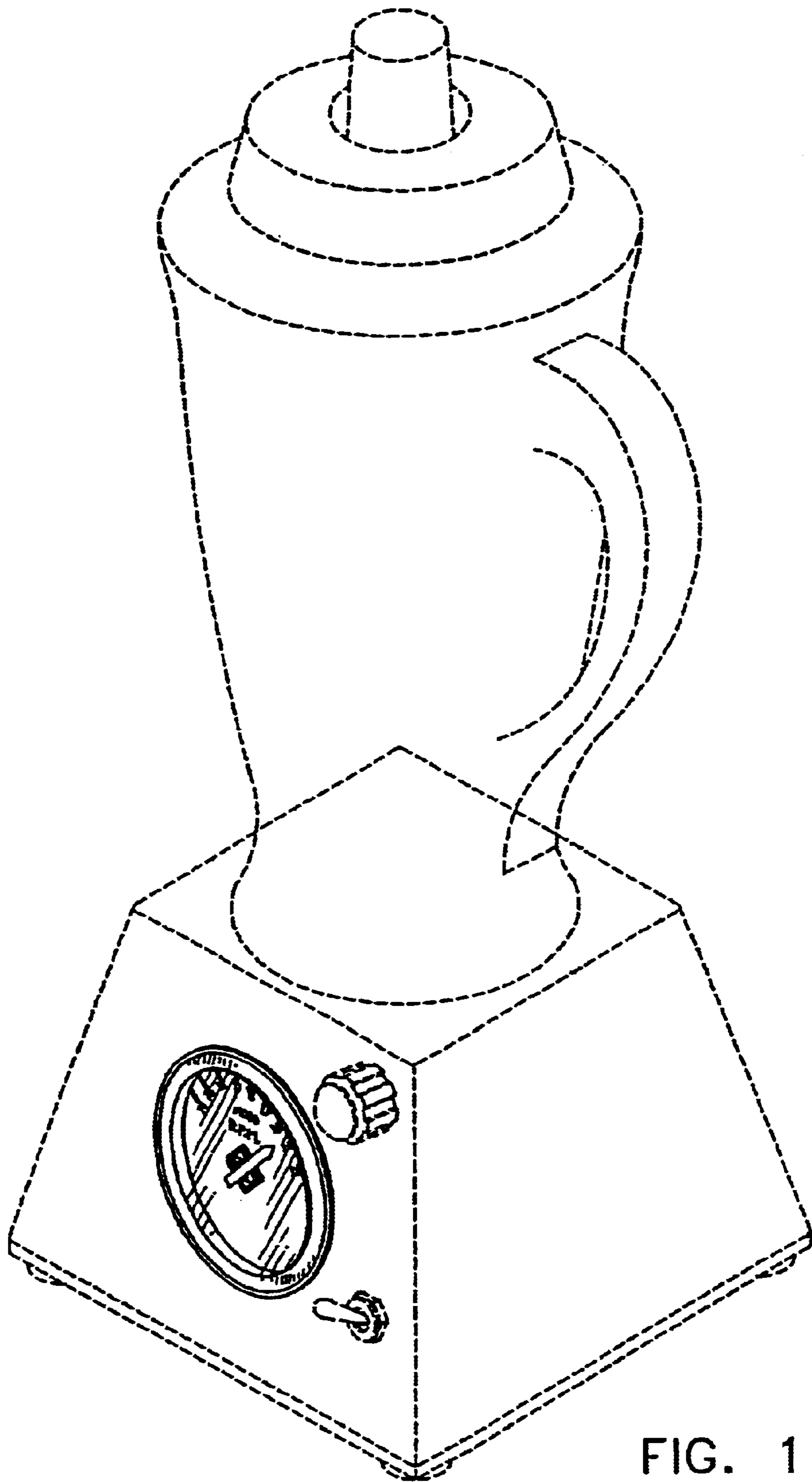


FIG. 1

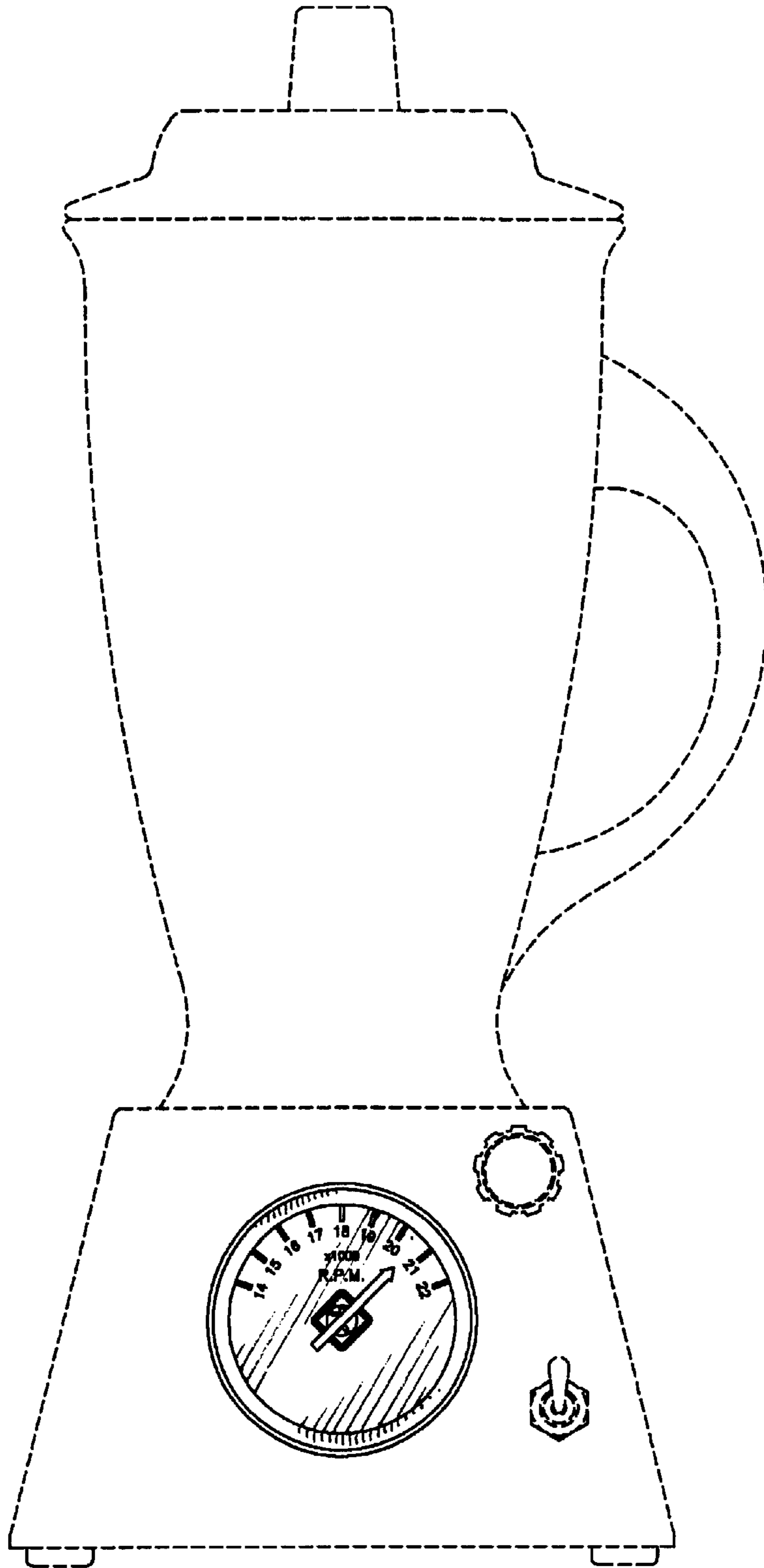


FIG. 2

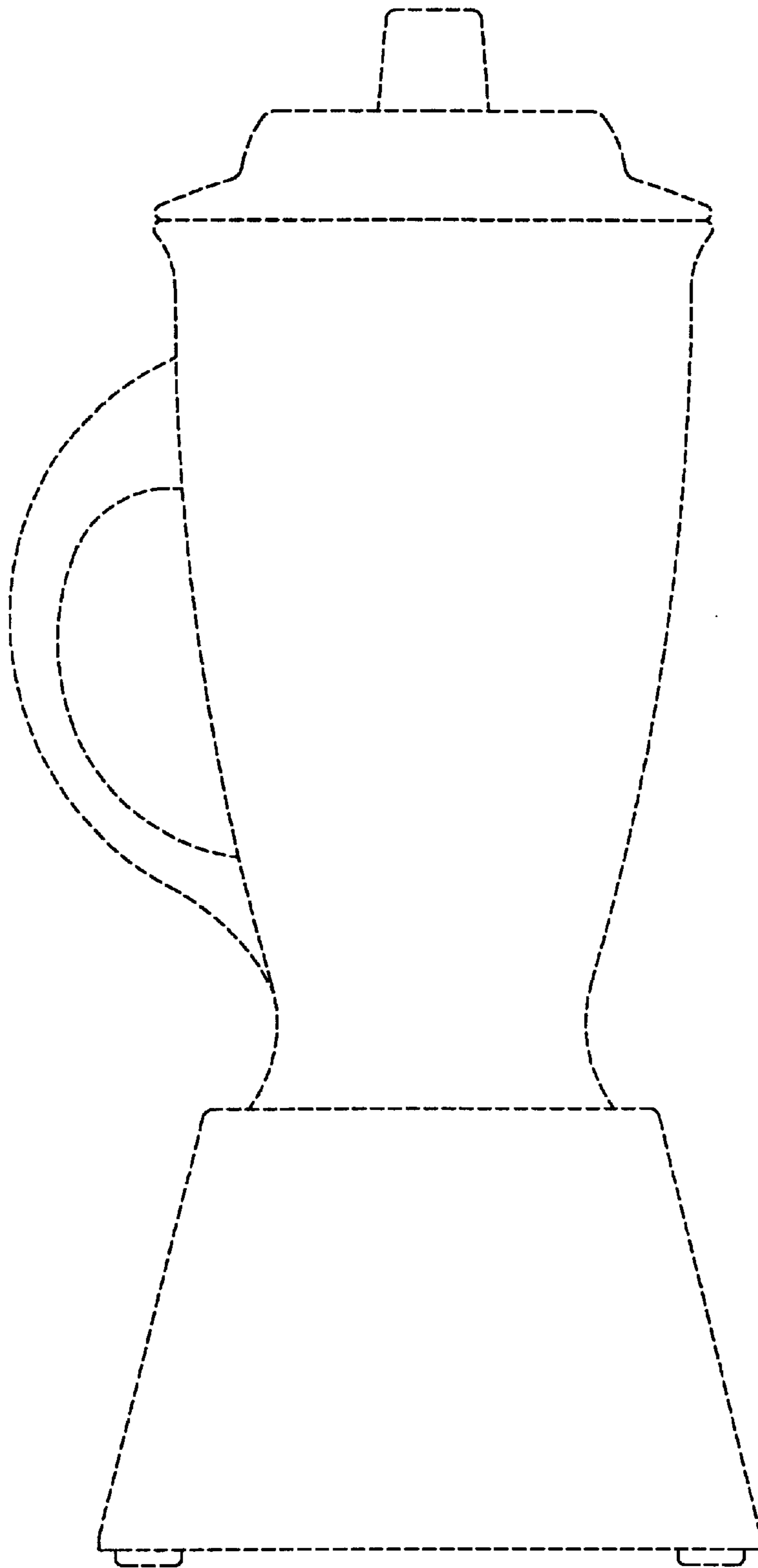


FIG. 3

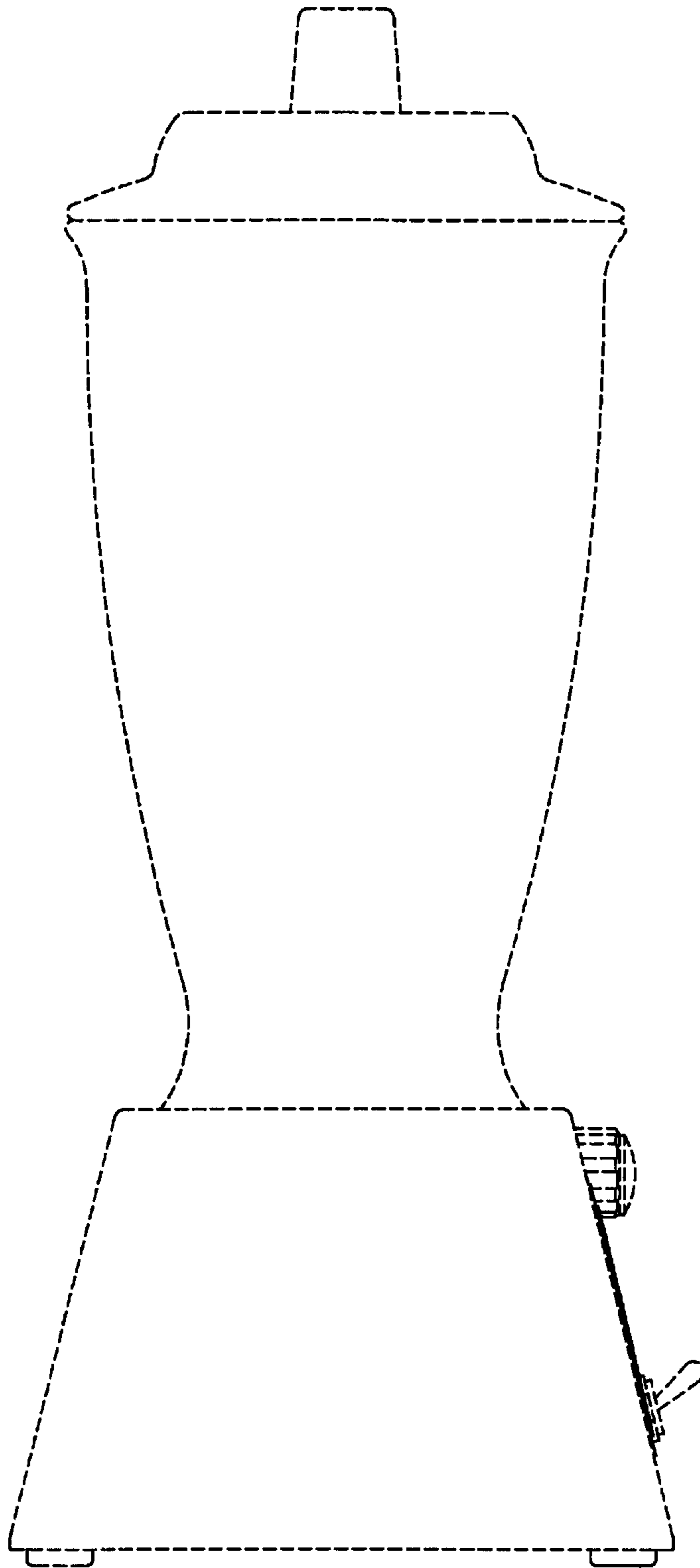


FIG. 4

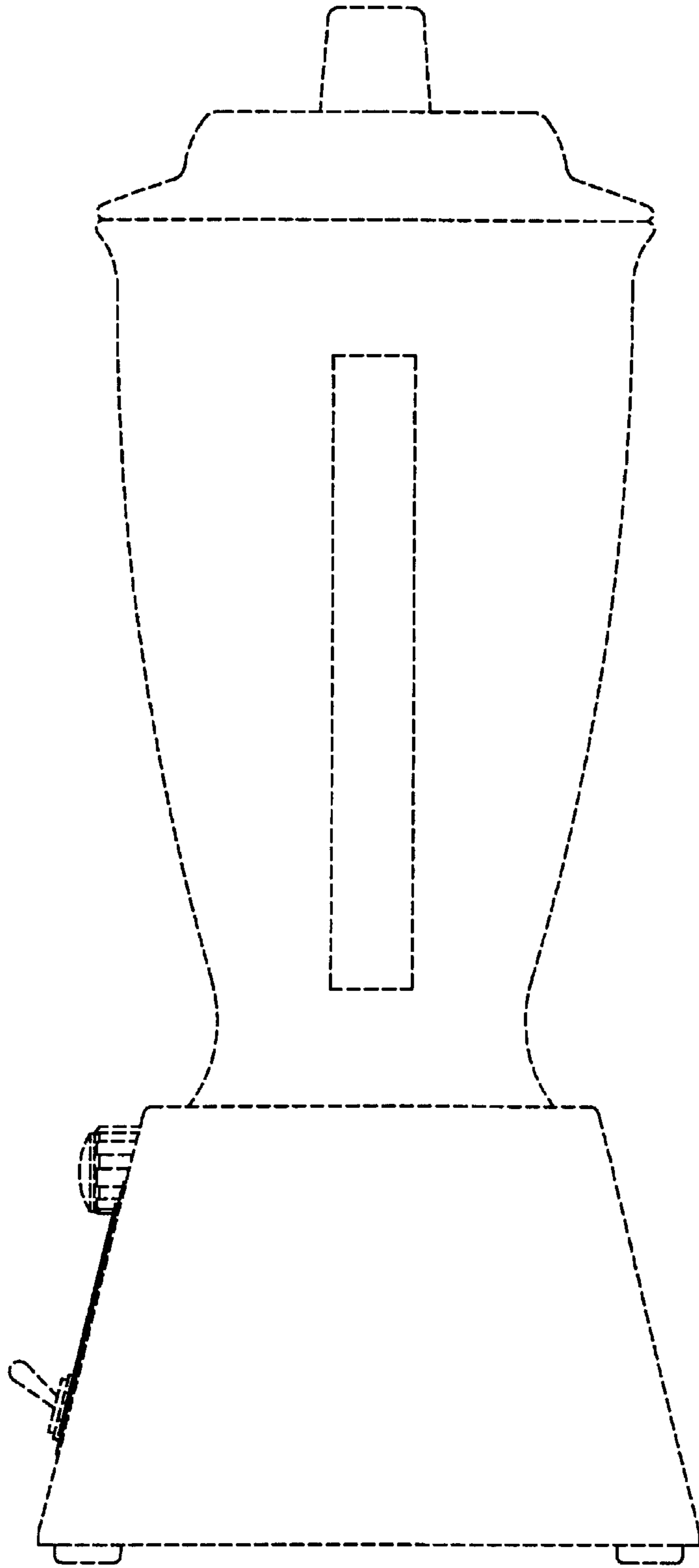


FIG. 5

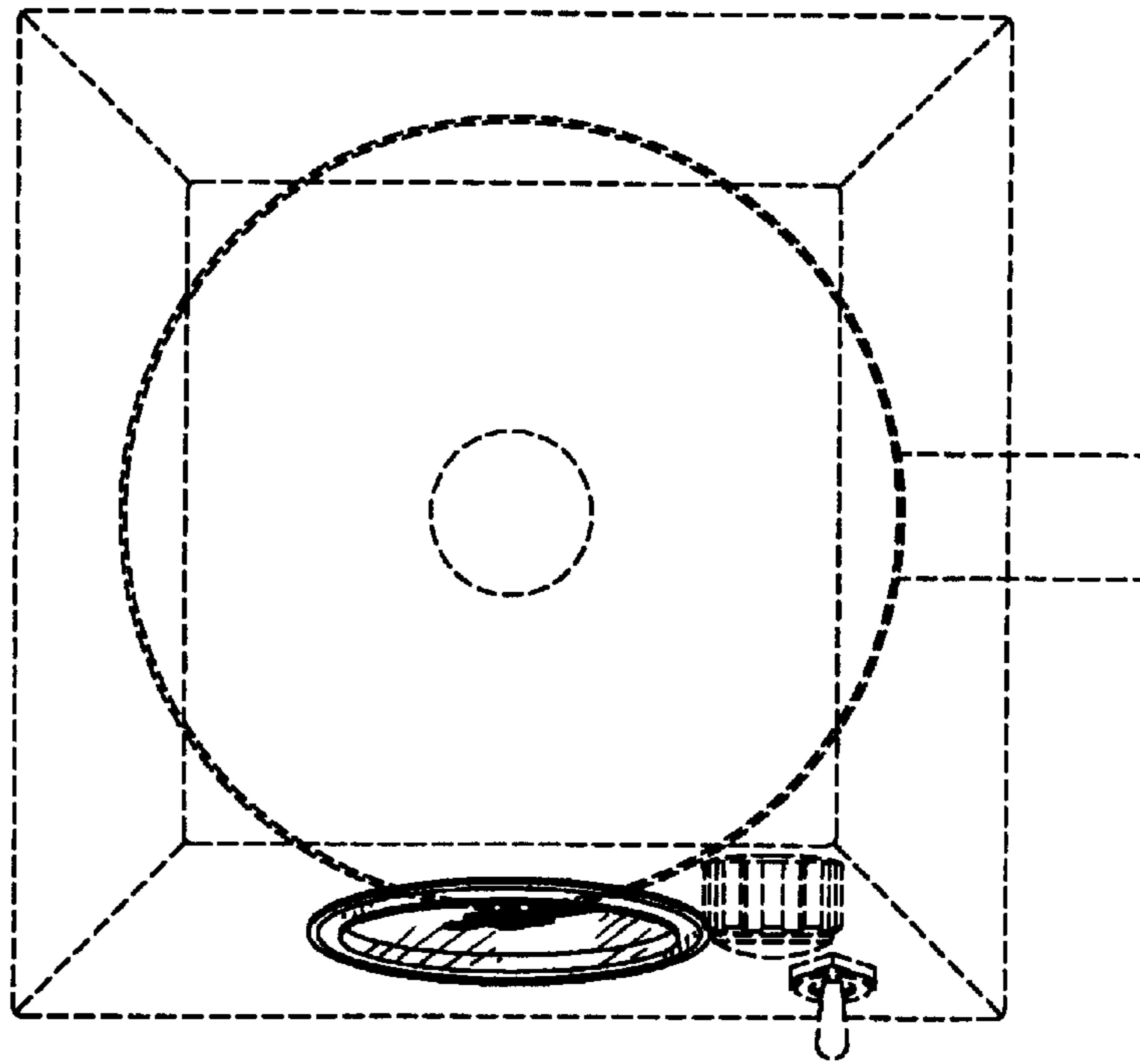


FIG. 6

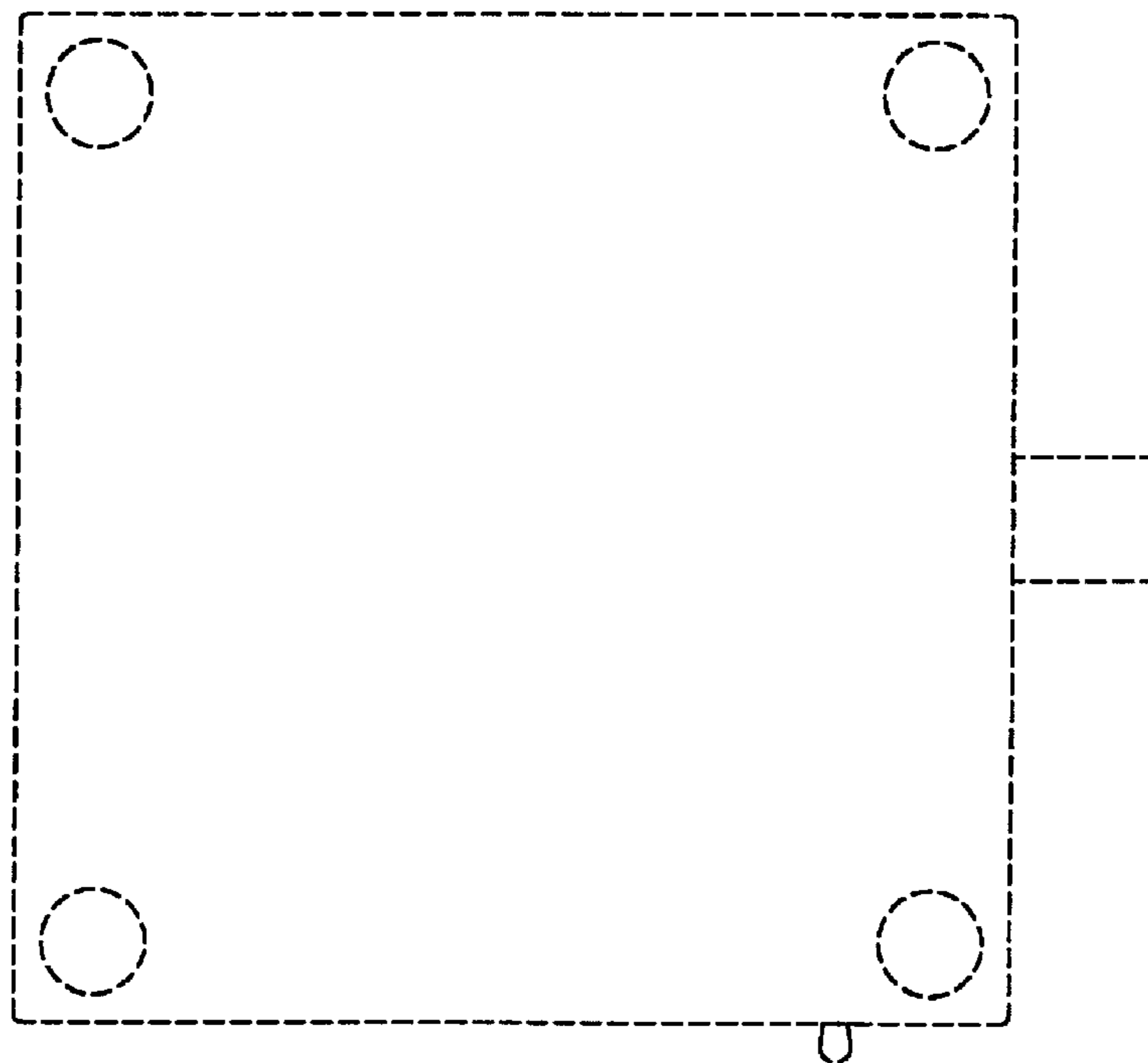


FIG. 7