



US00D491415S

(12) **United States Design Patent**  
**Rummel et al.**

(10) **Patent No.:** **US D491,415 S**  
(45) **Date of Patent:** **\*\* Jun. 15, 2004**

(54) **COMBINED ROTISSERIE MOTOR AND LIGHT**

(75) Inventors: **Randy L. Rummel**, Huntington Beach, CA (US); **Dan Nichols**, Huntington Beach, CA (US); **David Deary**, Corona, CA (US)

(73) Assignee: **Dynamic Cooking Systems, Inc.**, Huntington Beach, CA (US)

(\*\*) Term: **14 Years**

(21) Appl. No.: **29/183,095**

(22) Filed: **Jun. 5, 2003**

(51) **LOC (7) Cl.** ..... **07-02**

(52) **U.S. Cl.** ..... **D7/402**; D26/51; D13/112

(58) **Field of Search** ..... D7/332-338, 402-405; D13/112; 310/68 R, 270, 40 MM; 126/25 R, 25 A, 25 AA, 26-2, 4, 41 R; 99/421 R, 421 H, 421 M, 395; D26/113, 1, 51

(56) **References Cited**

**U.S. PATENT DOCUMENTS**

2,470,645 A	5/1949	Reichart	
3,168,862 A	* 2/1965	Clouser, Jr.	99/421 HH
D205,946 S	* 10/1966	Painter	D13/112
D230,937 S	* 3/1974	Bartasevich	D13/112
D249,220 S	* 9/1978	Bent	D13/112
D259,322 S	* 5/1981	Lau	D13/112
D261,469 S	* 10/1981	Koziol	D7/402
D261,470 S	* 10/1981	Koziol	D7/402
D261,471 S	* 10/1981	Koziol	D7/402
D267,303 S	* 12/1982	Wan	D7/402
D267,304 S	* 12/1982	Wan	D7/402
D278,701 S	* 5/1985	Wan	D13/112
4,598,693 A	7/1986	Koziol	
D292,473 S	* 10/1987	Fisher	D7/402
4,924,766 A	* 5/1990	Hitch	99/421 HV

D336,593 S	* 6/1993	Yeuan	D7/402
5,257,169 A	10/1993	Walendziak	
5,664,875 A	9/1997	Hegedus	
D403,919 S	* 1/1999	Battioli	D7/402
6,073,623 A	6/2000	Maschhoff	
6,079,843 A	6/2000	Latella et al.	
6,131,505 A	* 10/2000	Lin	99/340
6,132,055 A	10/2000	Grisamore et al.	
6,138,553 A	10/2000	Toebben	
6,202,640 B1	3/2001	Naperola et al.	
6,330,853 B1	* 12/2001	Yu	99/421 H
6,484,625 B2	* 11/2002	Waltman	99/421 HH
6,508,167 B1	* 1/2003	Lu	99/421 H

\* cited by examiner

*Primary Examiner*—Ruth McInroy

(74) *Attorney, Agent, or Firm*—Knobbe, Martens, Olson & Bear, LLP

(57) **CLAIM**

The ornamental design for the combined rotisserie motor and light, as shown and described.

**DESCRIPTION**

FIG. 1 is a top, front and left side perspective view of a combined rotisserie motor and light, showing our new design;

FIG. 2 is a top, front and right side perspective view thereof; FIG. 3 is a front elevation view thereof, the rear view being a mirror image except that only the front has the two control buttons shown;

FIG. 4 is a left side elevation view thereof;

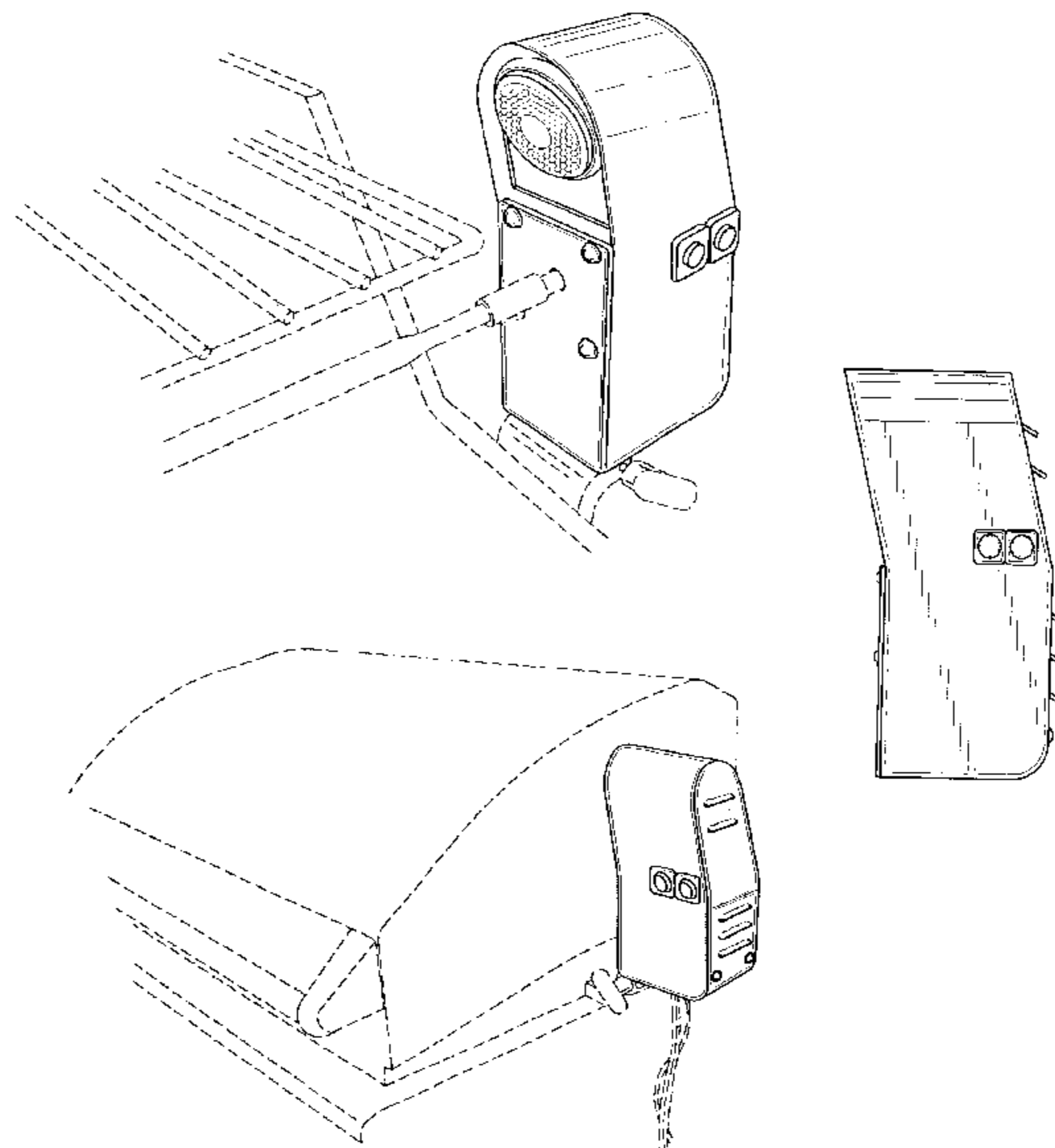
FIG. 5 is a right side elevation view thereof;

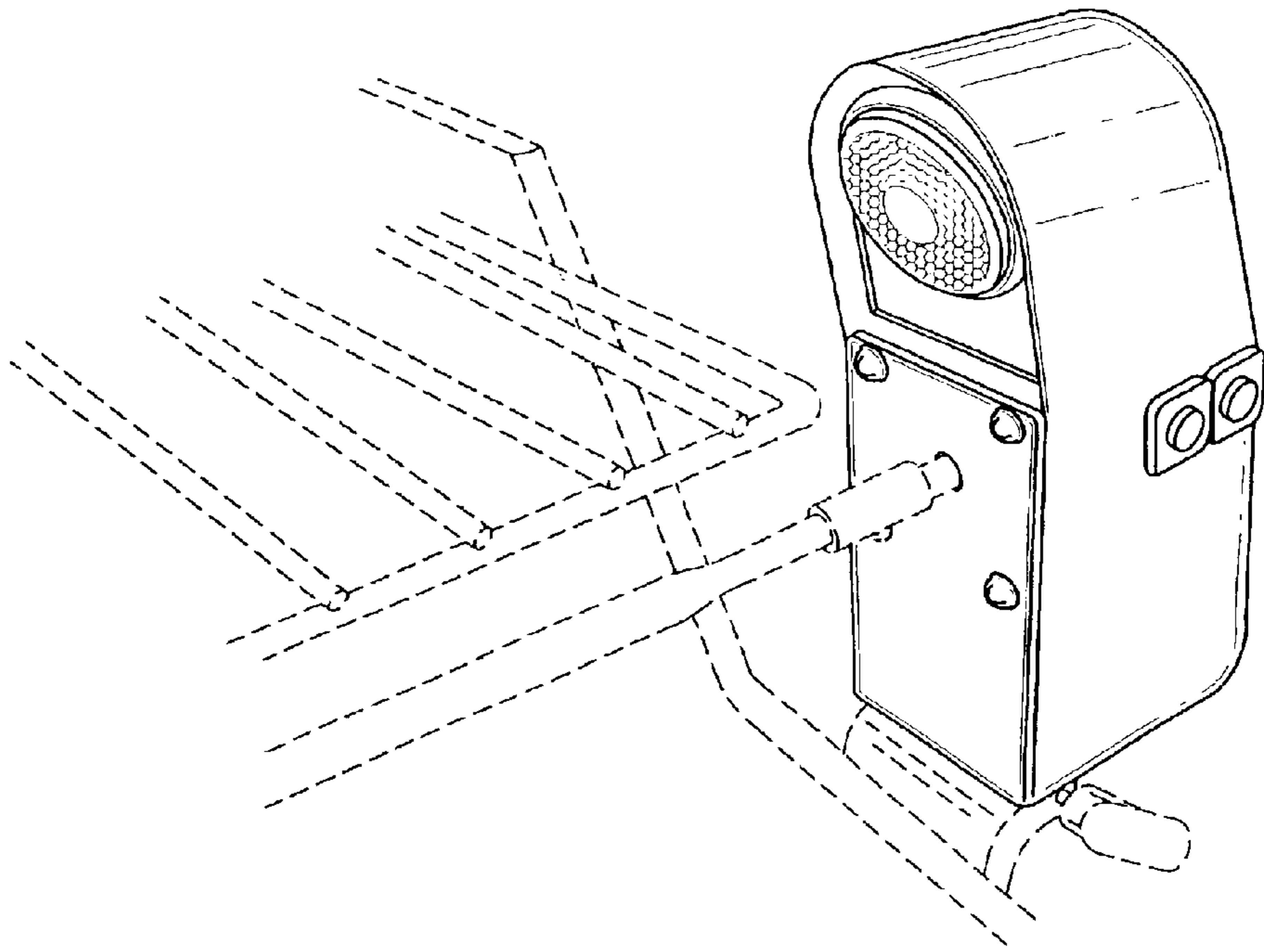
FIG. 6 is a top plan view thereof; and,

FIG. 7 is a bottom plan view thereof.

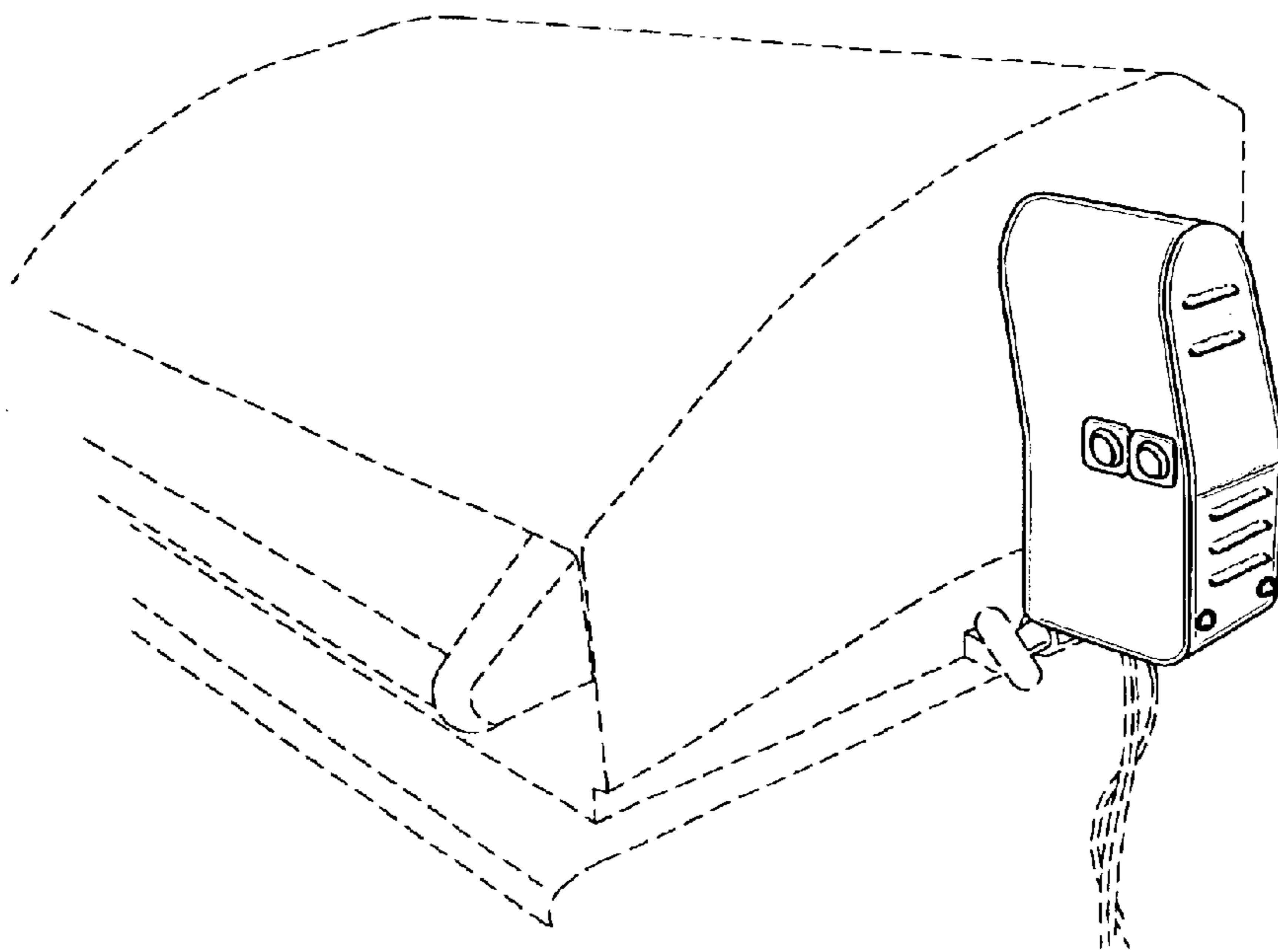
The portion of the grill and rotisserie shown in broken lines in FIGS. 1 and 2, are shown for illustrative purposes only and form no part of the claimed design.

**1 Claim, 2 Drawing Sheets**





*FIG. 1*



*FIG. 2*

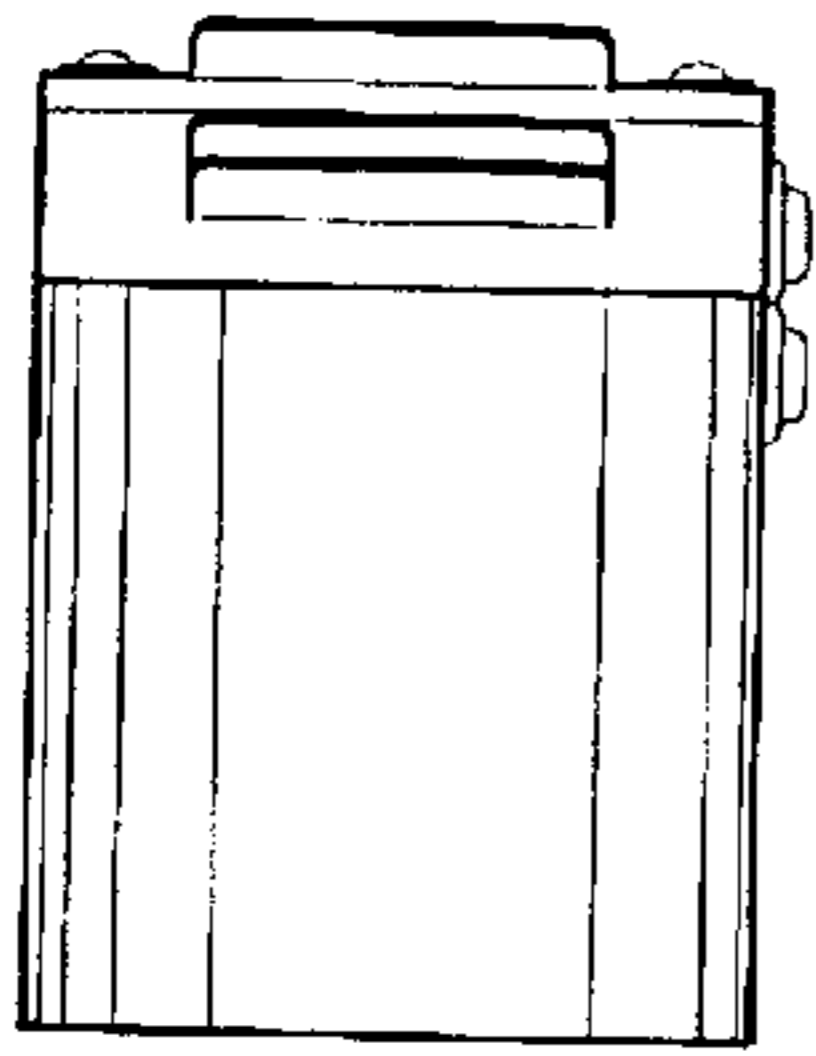


FIG. 6

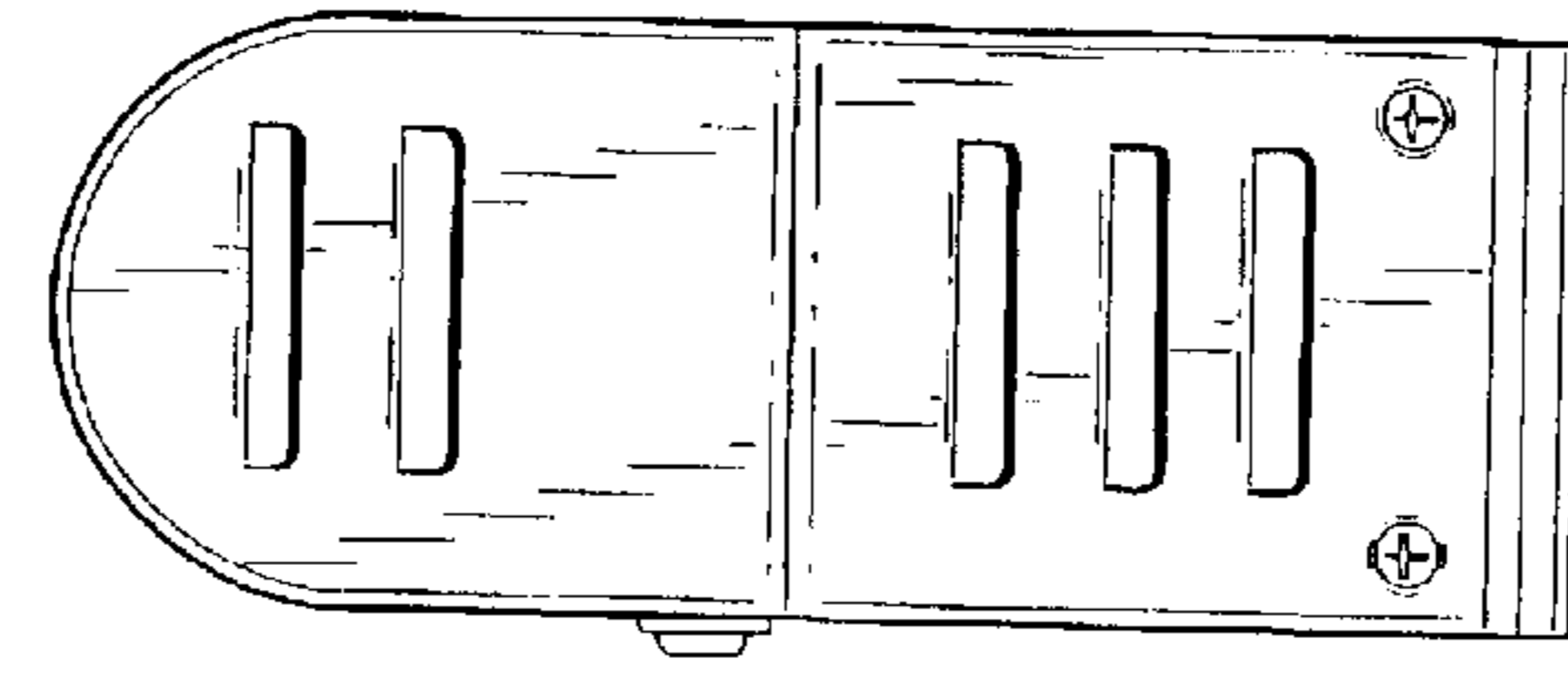


FIG. 5

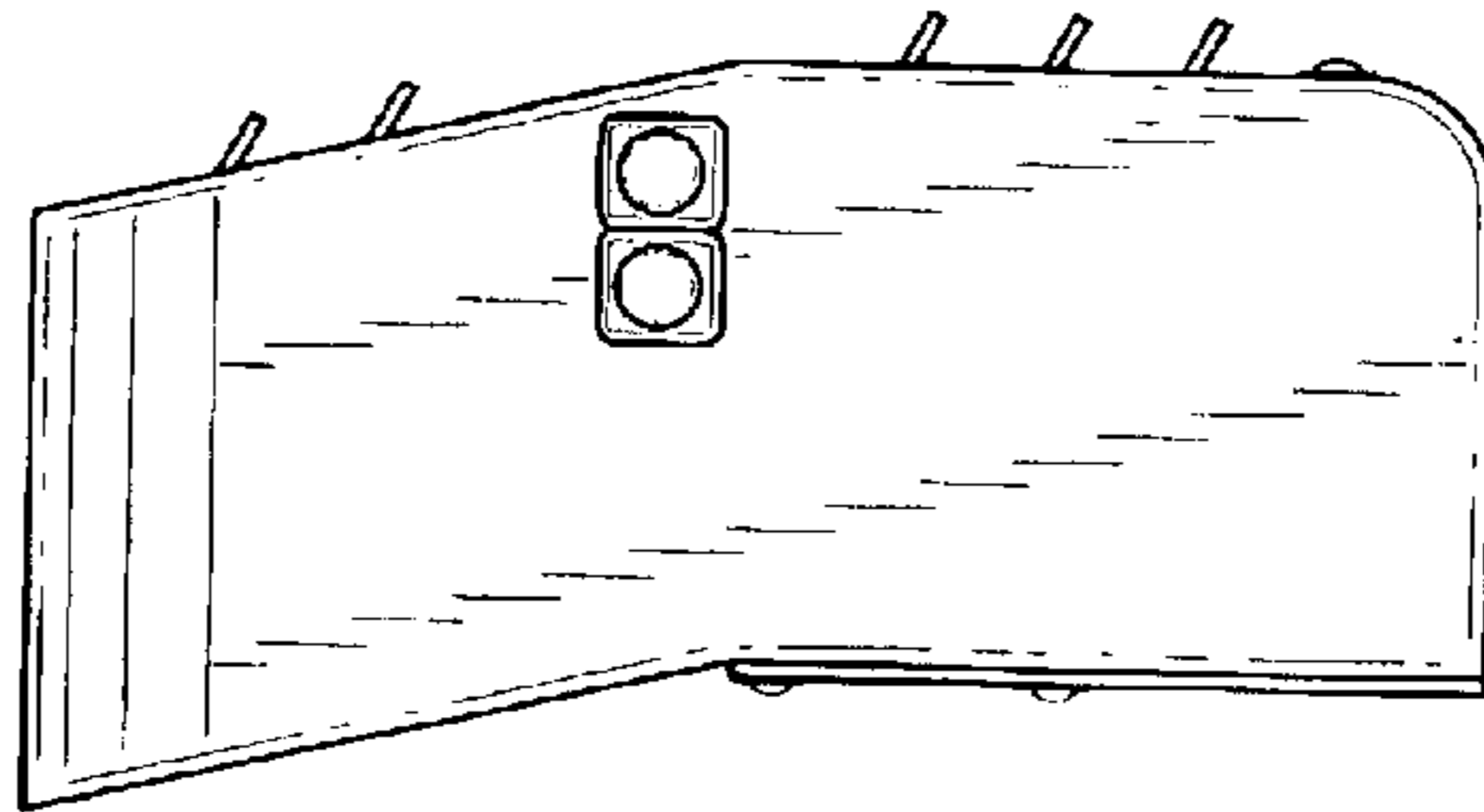


FIG. 3

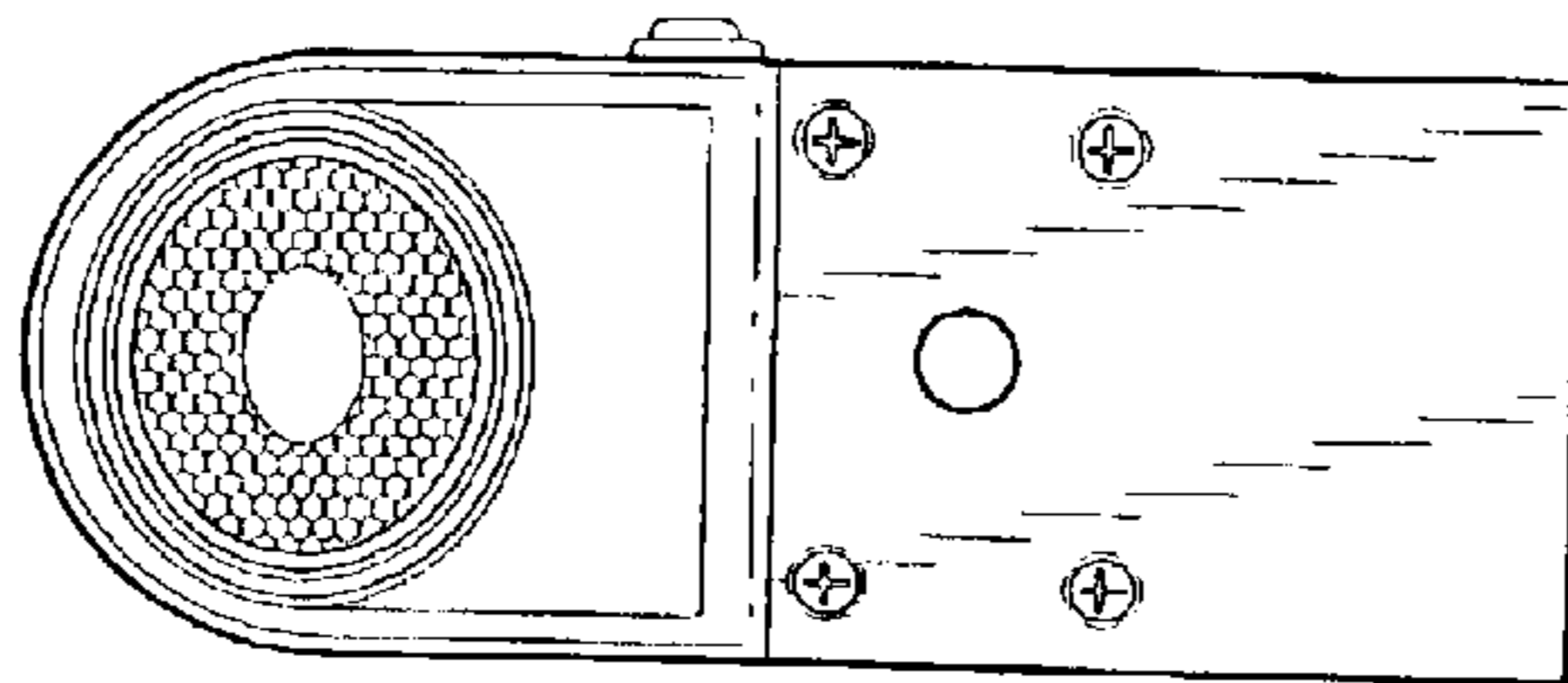


FIG. 4

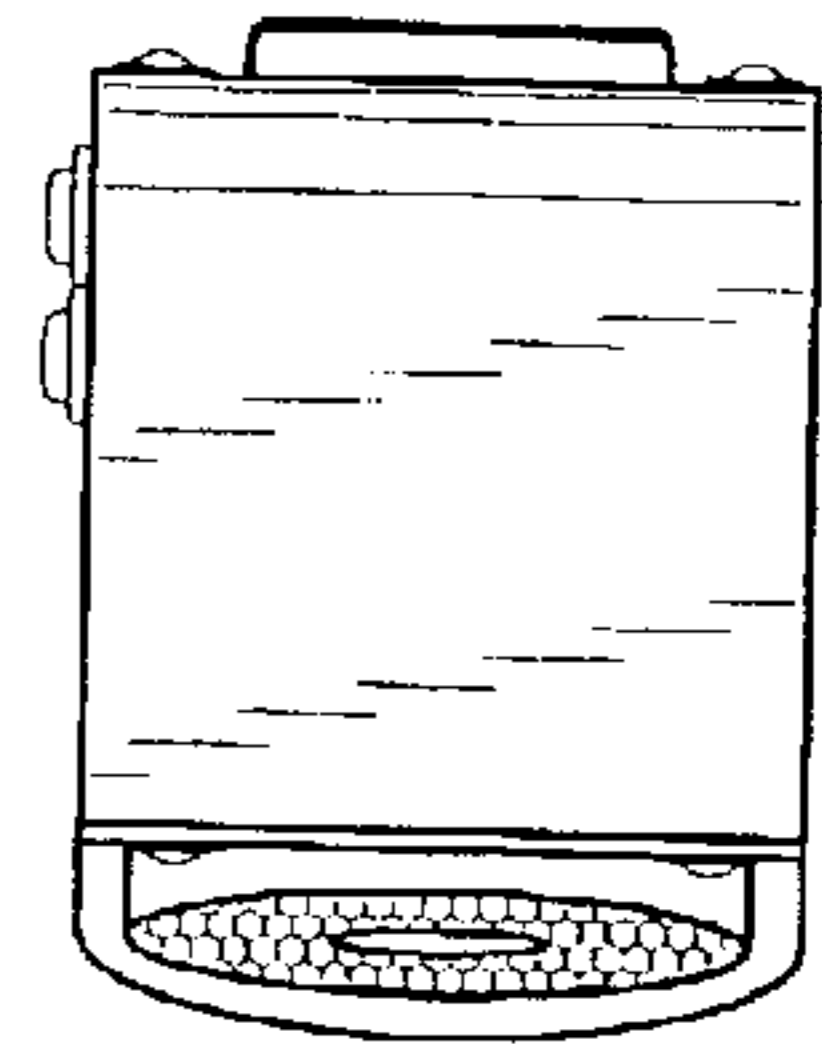


FIG. 7