



US00D491414S

(12) **United States Design Patent**
Nichols et al.

(10) **Patent No.:** **US D491,414 S**

(45) **Date of Patent:** **** Jun. 15, 2004**

(54) **OUTDOOR GRILL**

(75) Inventors: **Dan Nichols**, Huntington Beach, CA (US); **David Deary**, Corona, CA (US); **Randy L. Rummel**, Huntington Beach, CA (US)

(73) Assignee: **Dynamic Cooking Systems, Inc.**, Huntington Beach, CA (US)

(**) Term: **14 Years**

(21) Appl. No.: **29/180,132**

(22) Filed: **Apr. 17, 2003**

(51) **LOC (7) Cl.** **07-02**

(52) **U.S. Cl.** **D7/402**

(58) **Field of Search** D7/332-338, 402-405; 126/25 R, 25 A, 25 AA, 41 R, 26-28, 4, 9 R; 99/421 R, 421 H, 421 M, 395

(56) **References Cited**

U.S. PATENT DOCUMENTS

- 5,536,518 A * 7/1996 Rummel 426/523
- 5,755,154 A * 5/1998 Schroeter et al. 99/401
- D461,359 S * 8/2002 Coleman et al. D7/334
- D466,756 S * 12/2002 Bossler et al. D7/334
- D470,357 S * 2/2003 Home D7/334

- D471,057 S * 3/2003 Chung D7/334
- D472,756 S * 4/2003 Pai D7/334
- D475,235 S * 6/2003 Home D7/334
- D479,092 S * 9/2003 Lewis et al. D7/332

* cited by examiner

Primary Examiner—Ruth McInroy

(74) *Attorney, Agent, or Firm*—Knobbe, Martens, Olson & Bear, LLP

(57) **CLAIM**

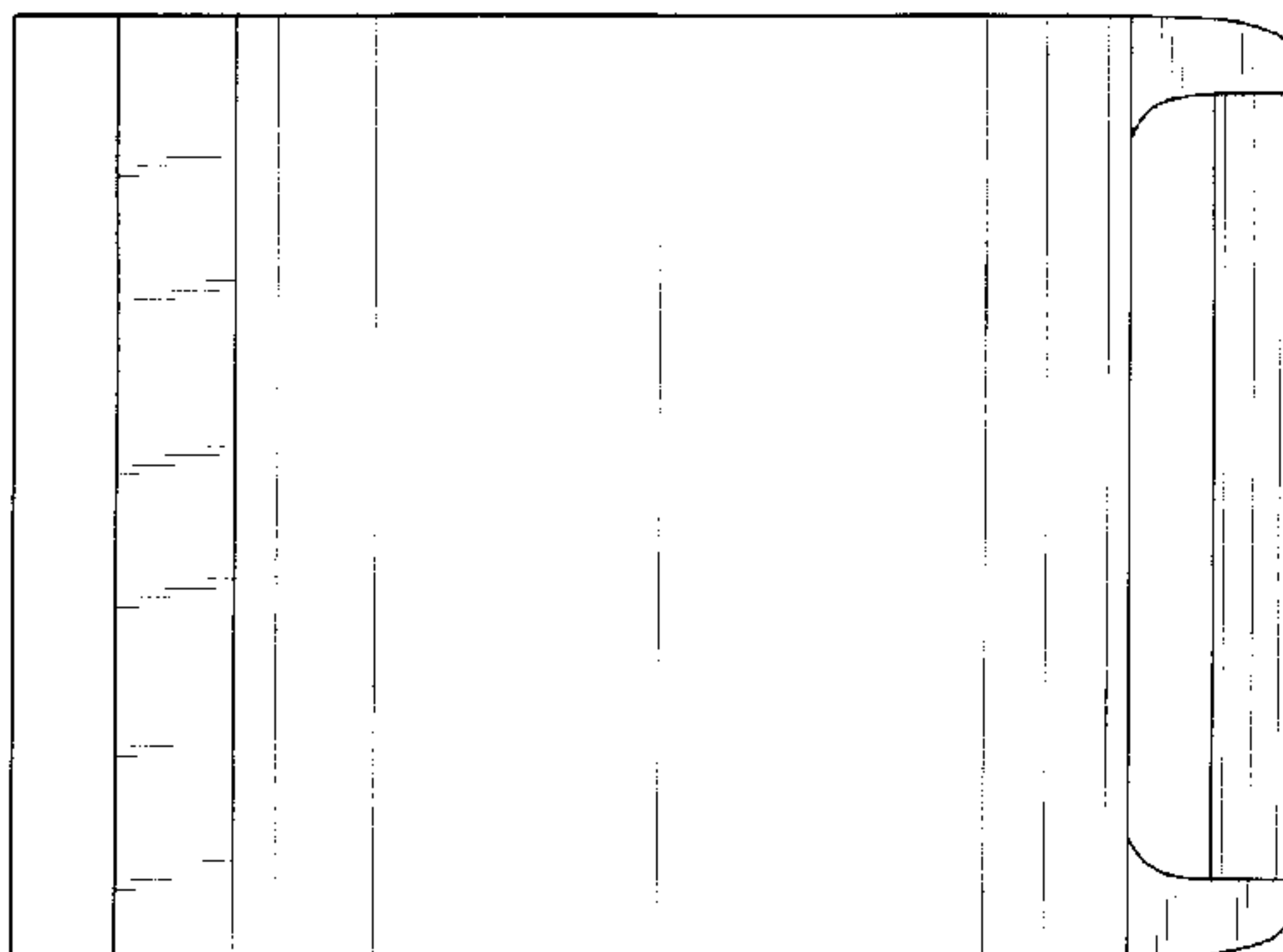
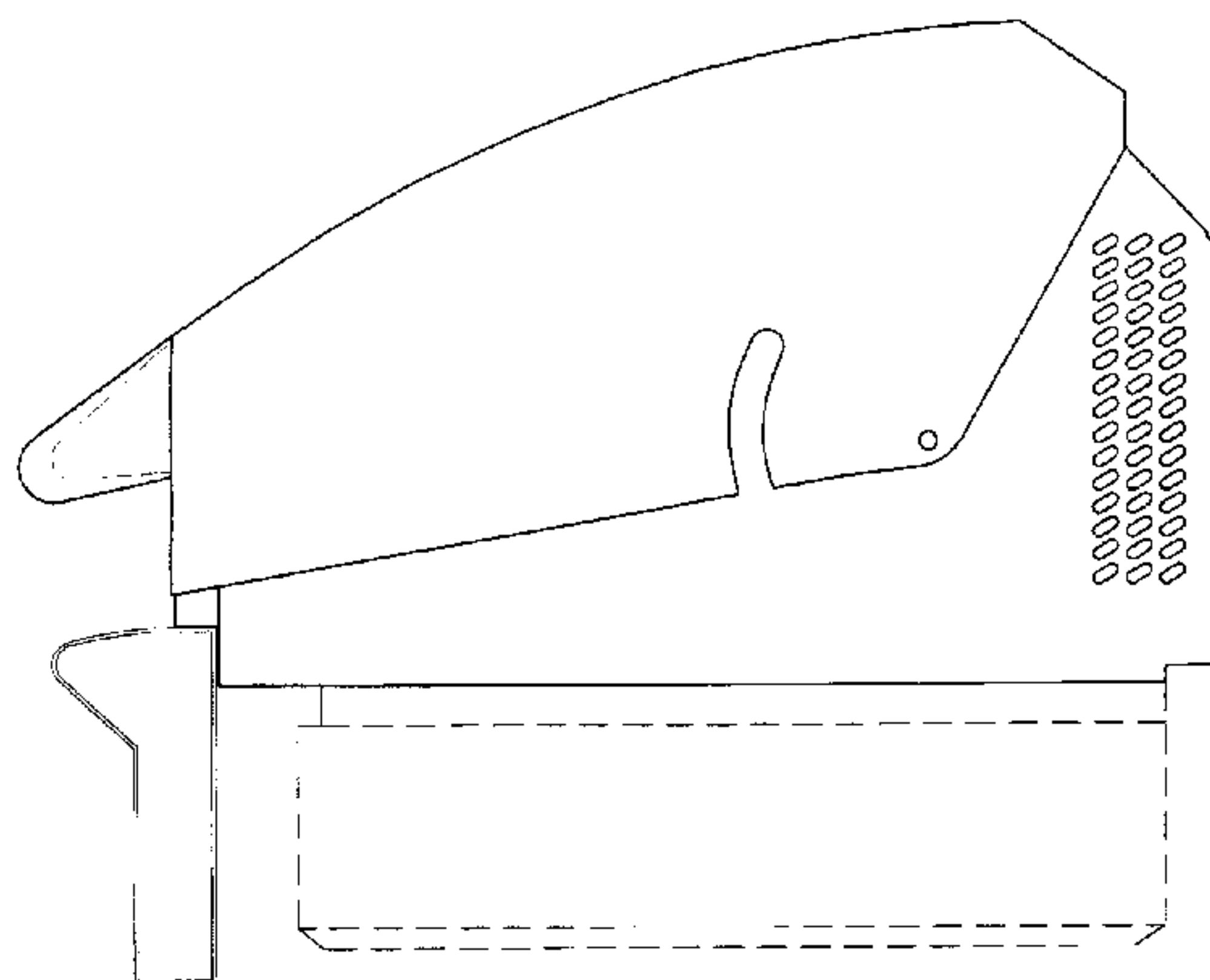
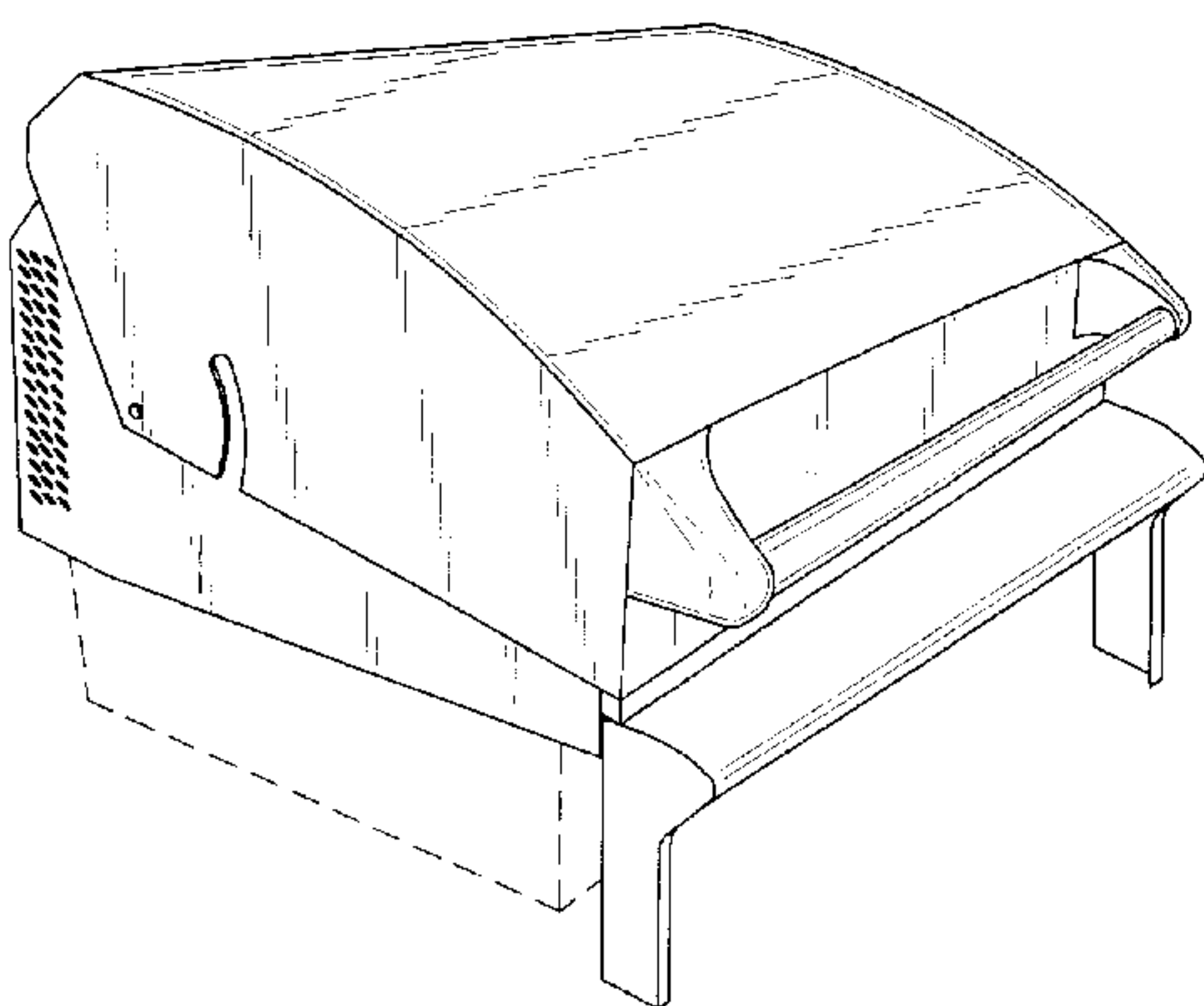
The ornamental design for outdoor grill, as shown and described.

DESCRIPTION

FIG. 1 is a top, front and left side perspective view of an outdoor grill showing our new design;
 FIG. 2 is a top, front and right side perspective view thereof;
 FIG. 3 is a right side elevation view thereof;
 FIG. 4 is a left side elevation view thereof;
 FIG. 5 is a top plan view thereof;
 FIG. 6 is a front elevation view thereof; and,
 FIG. 7 is a back elevation view thereof.

The portion of the grill shown in broken lines in FIGS. 1-4 and 6 (that is hidden when installed) is shown for illustrative purposes only and forms no part of the claimed design.

1 Claim, 7 Drawing Sheets



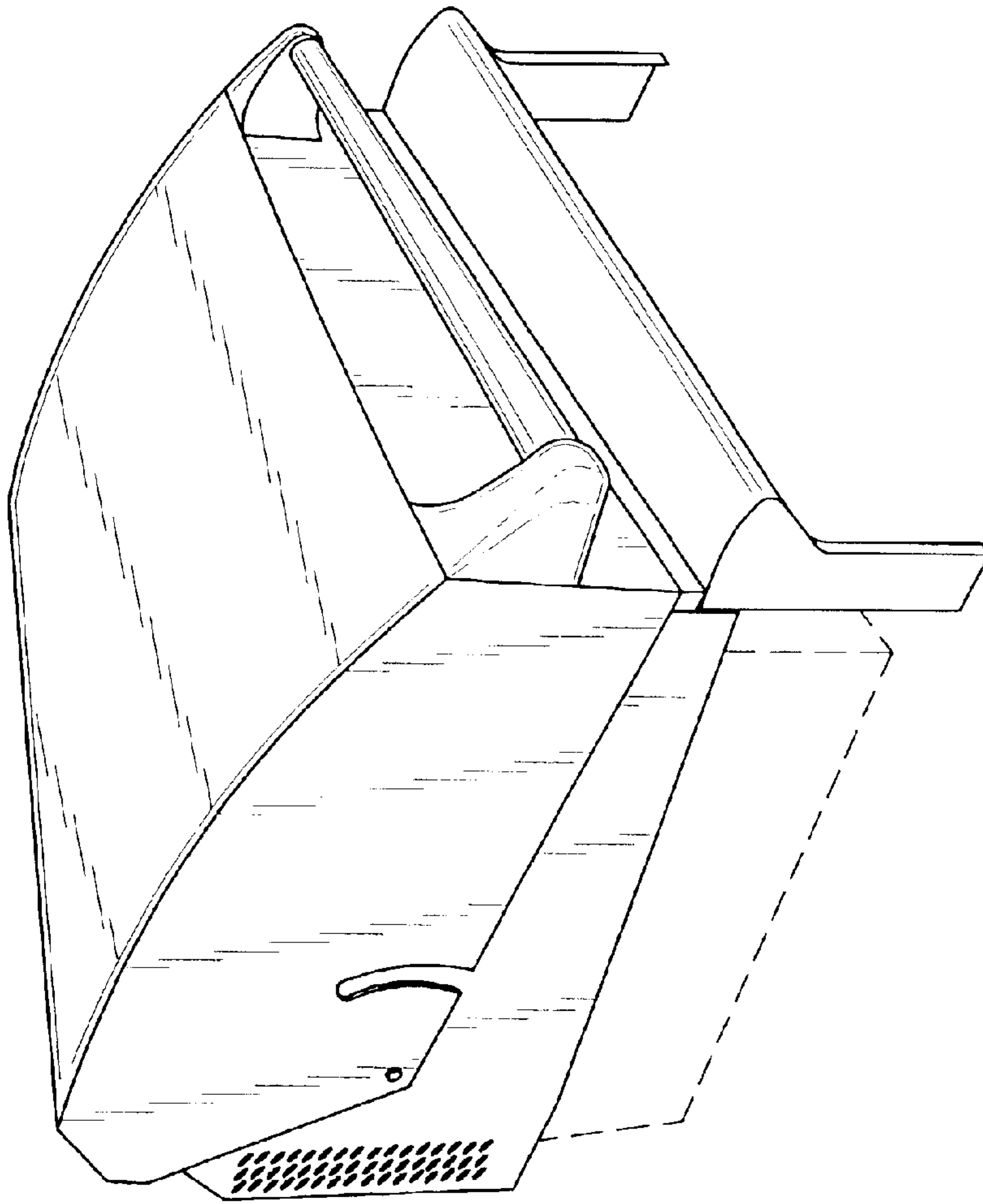


FIG. 1

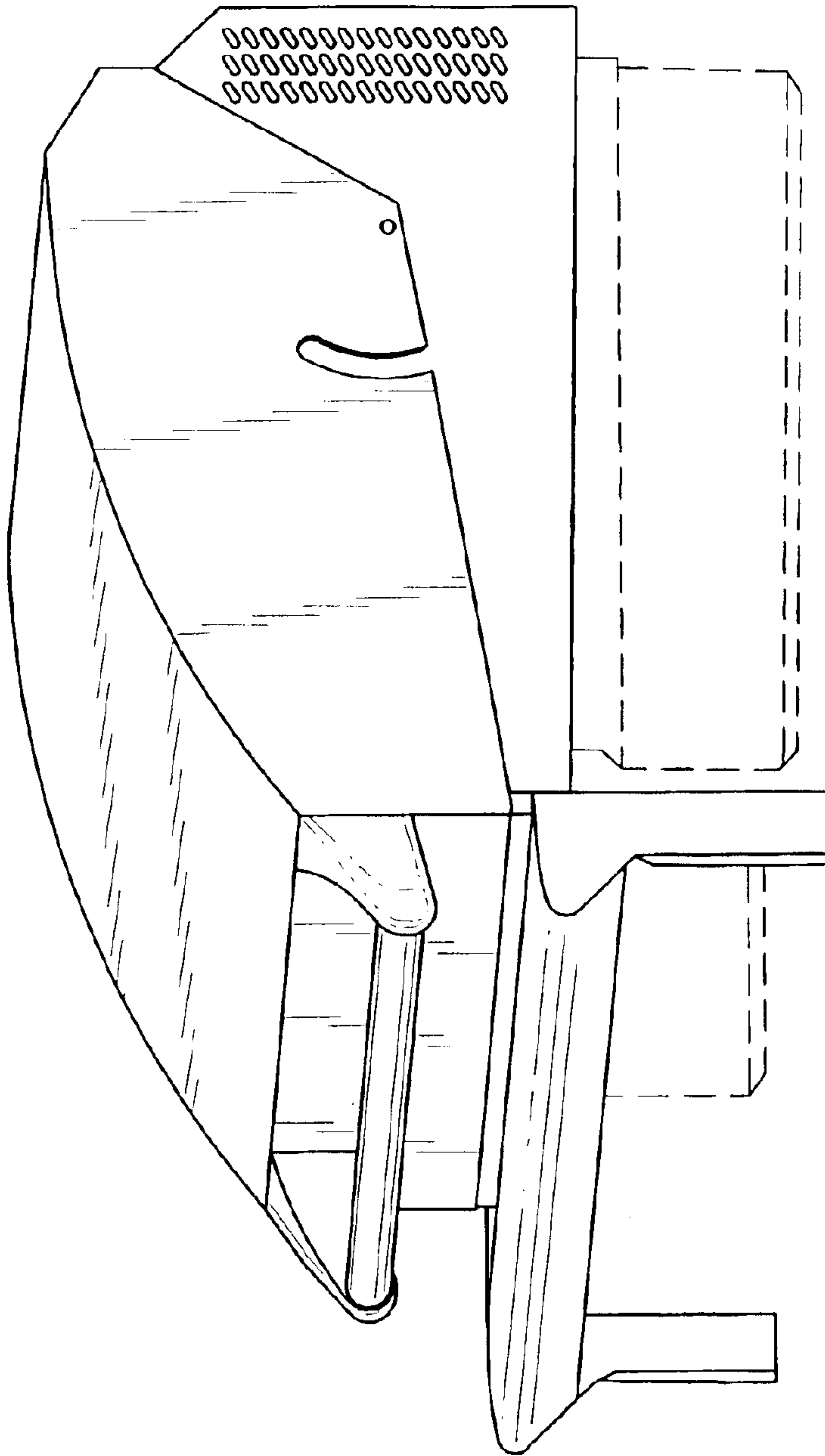


FIG. 2

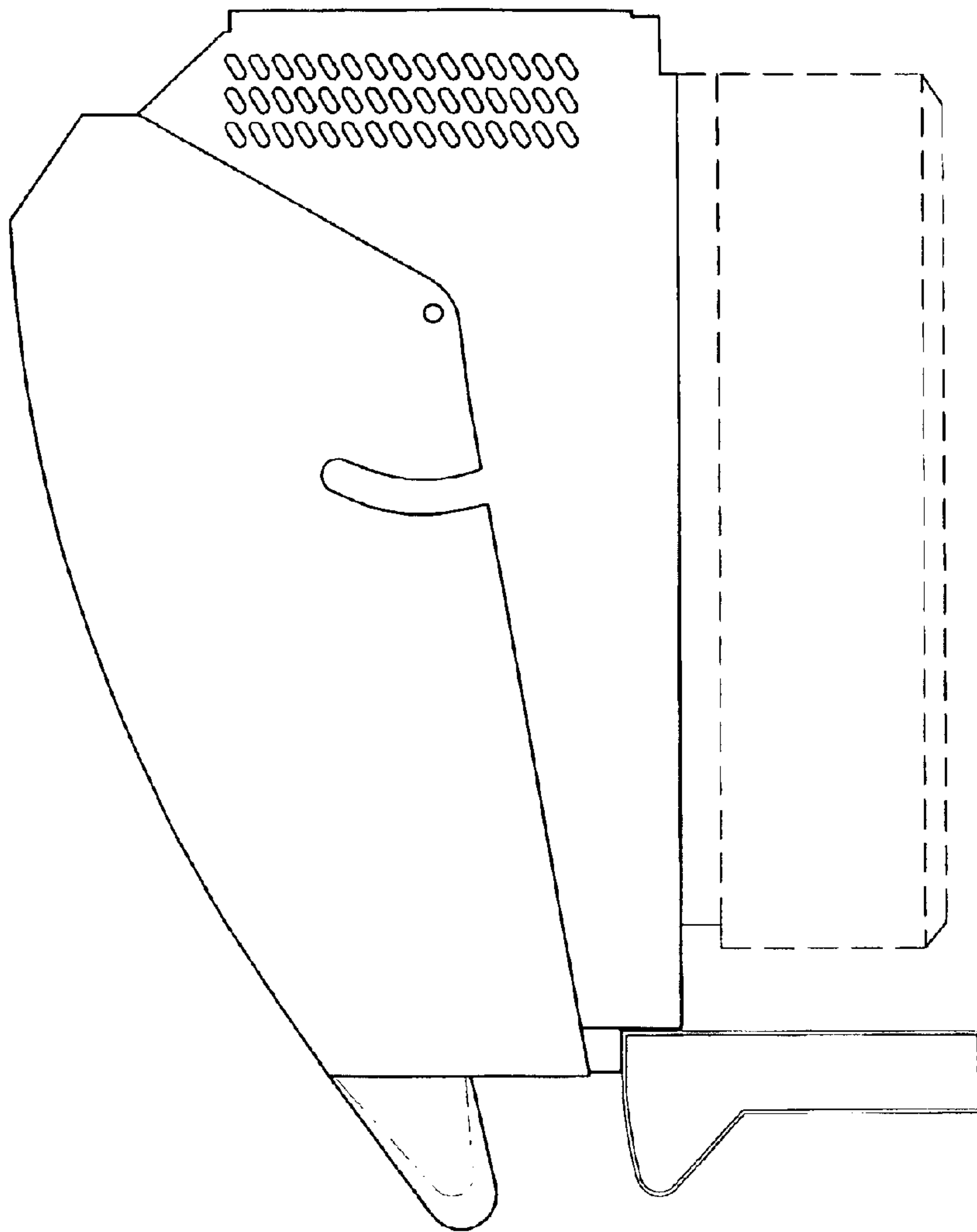


FIG. 3

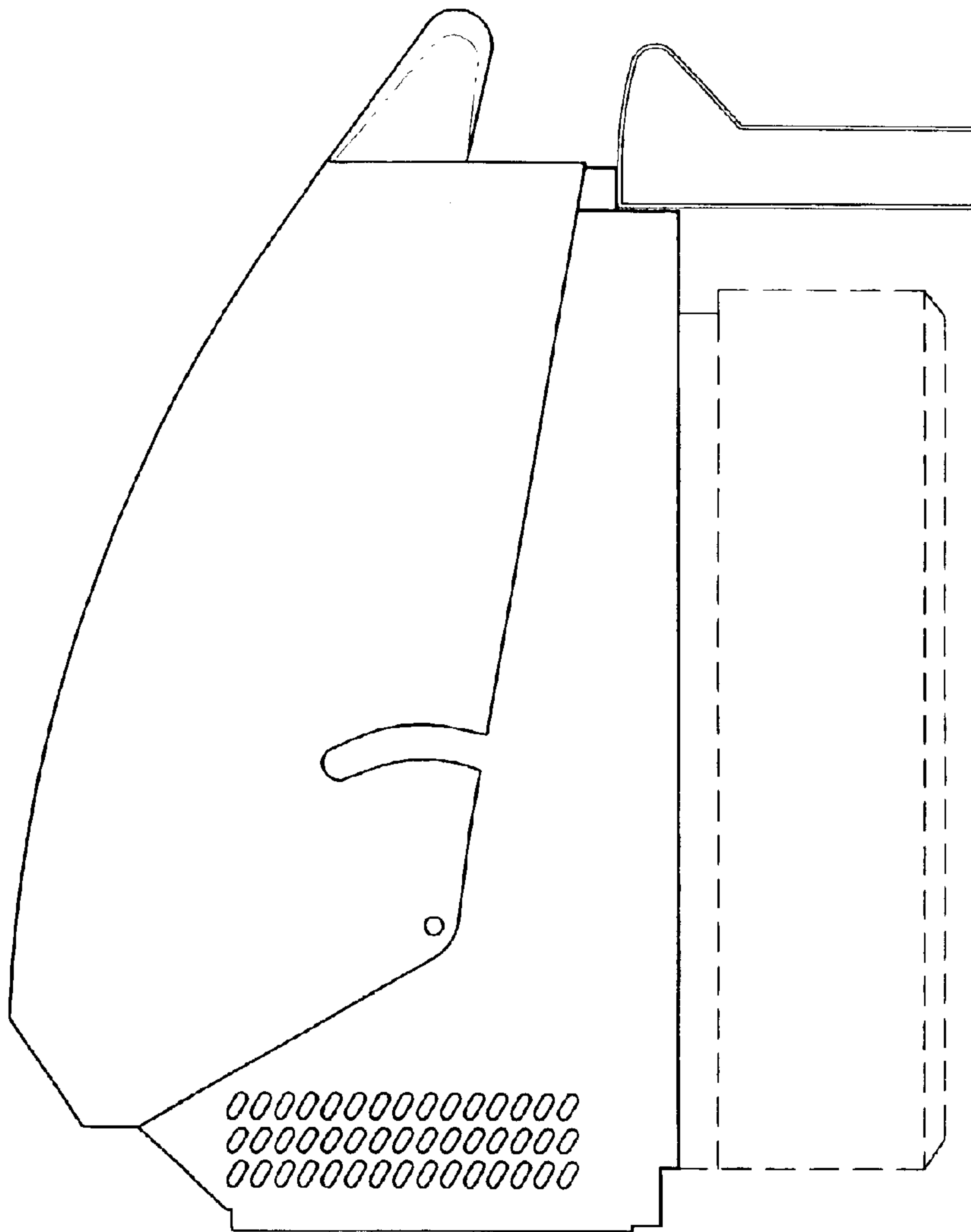


FIG. 4

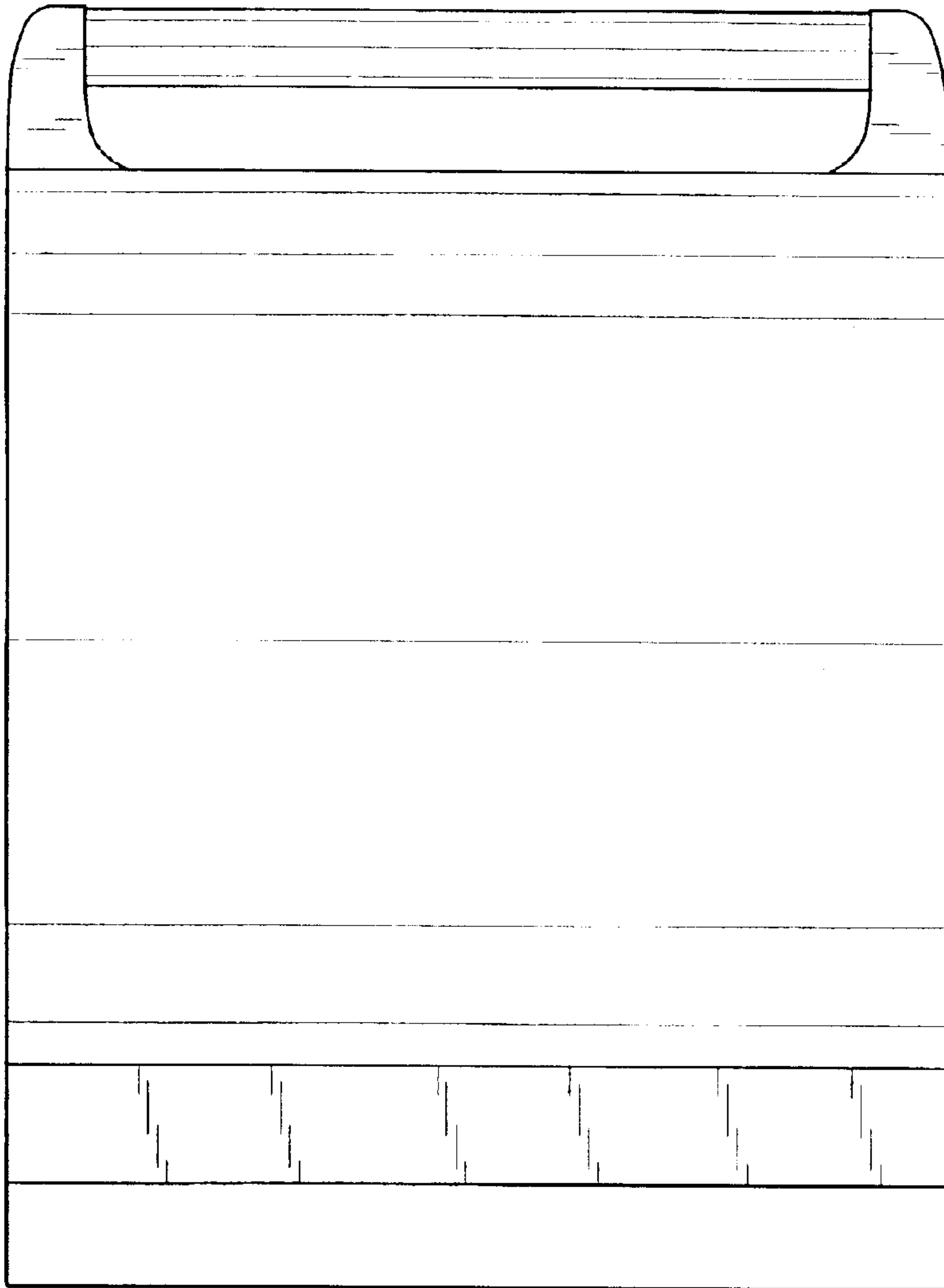


FIG. 5

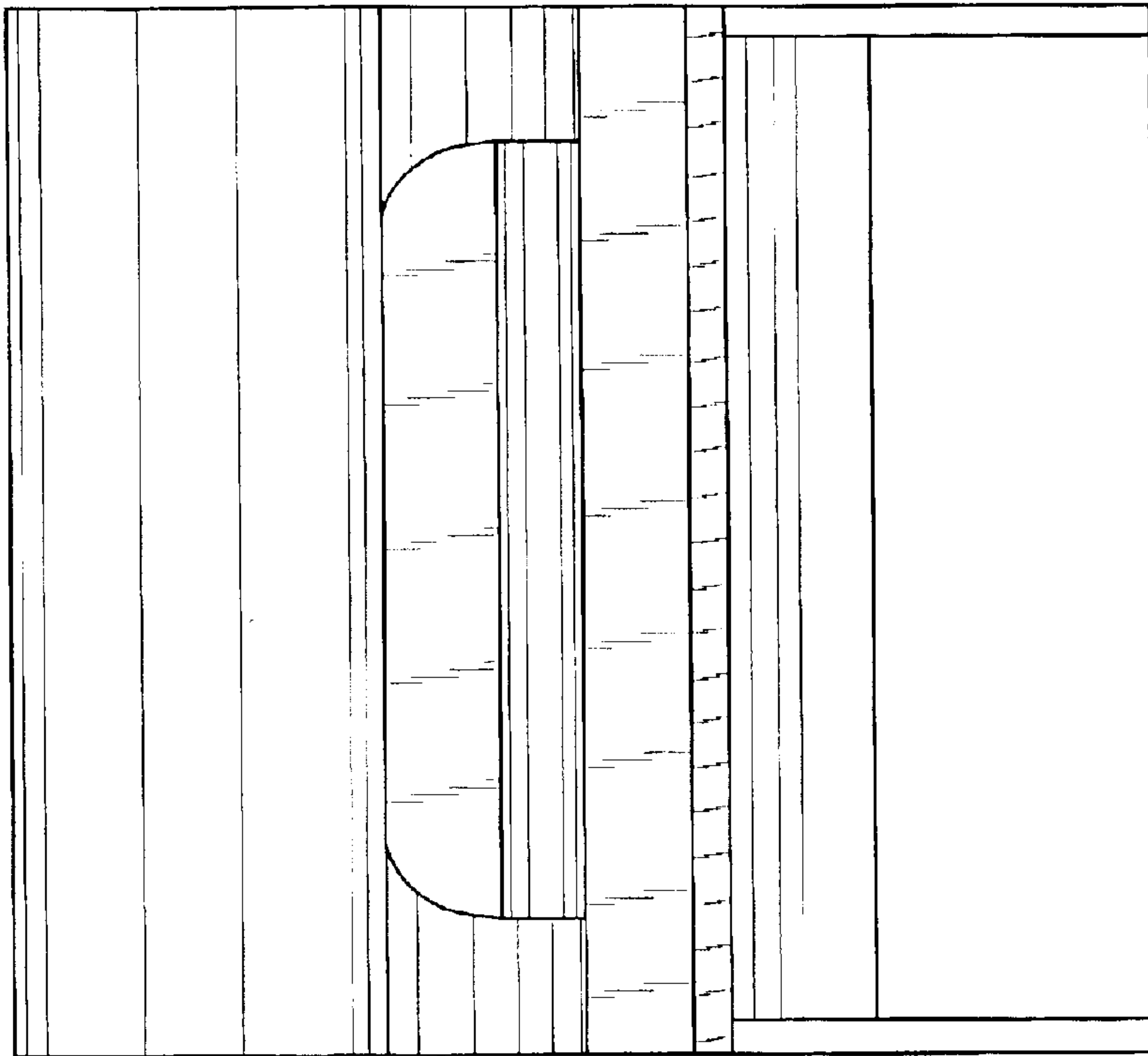


FIG. 6

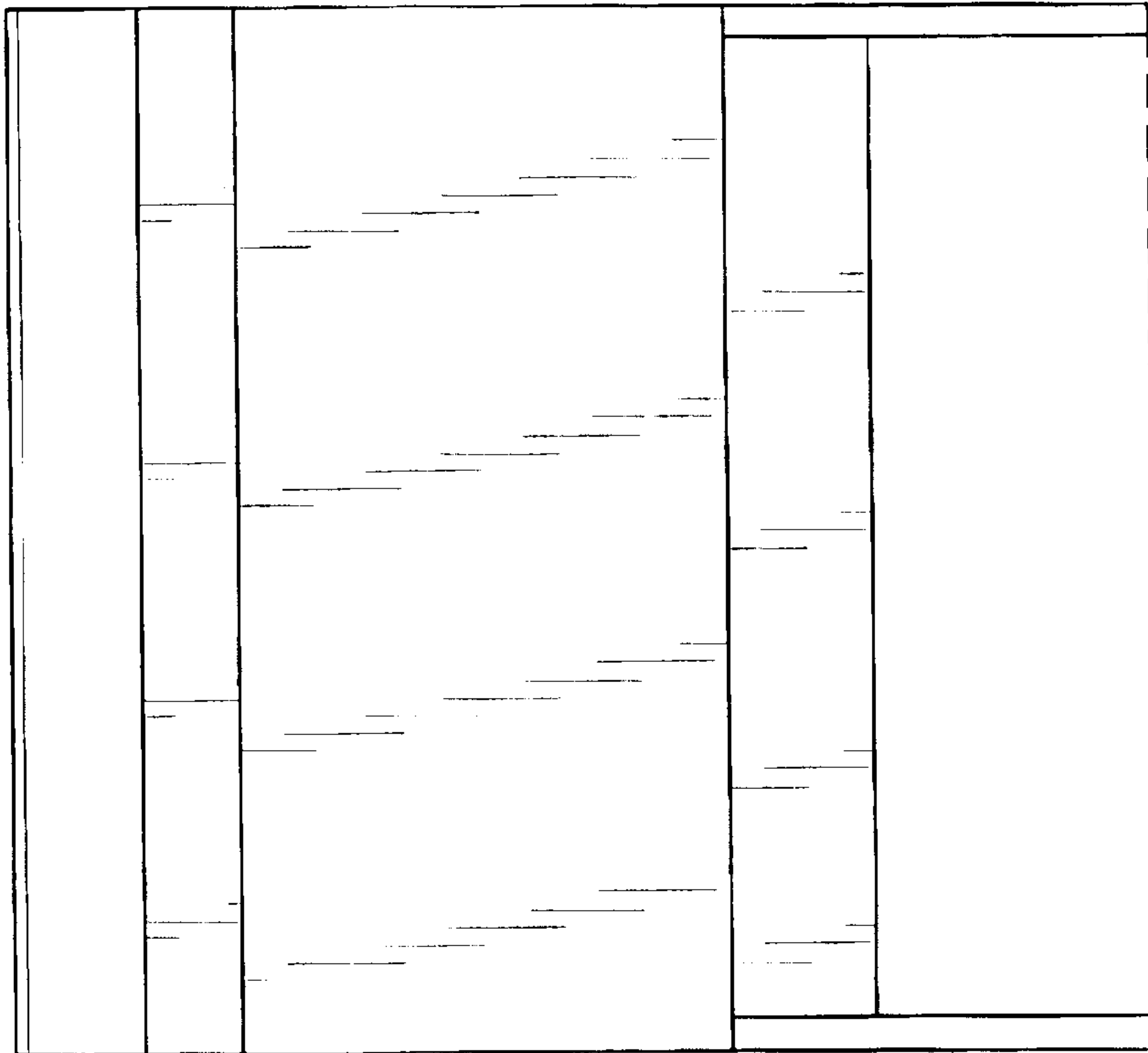


FIG. 7