



US00D491412S

(12) **United States Design Patent**
Devine

(10) **Patent No.:** **US D491,412 S**

(45) **Date of Patent:** **** Jun. 15, 2004**

(54) **CUTTING BOARD HOLDER**

(76) Inventor: **Donna S. Devine**, 155 E. Riviera Dr.,
Lindenhurst, NY (US) 10757

(**) Term: **14 Years**

(21) Appl. No.: **29/175,240**

(22) Filed: **Jan. 31, 2003**

(51) **LOC (7) Cl.** **07-99**

(52) **U.S. Cl.** **D7/388; D7/396.1**

(58) **Field of Search** **D7/698, 387, 388,**
D7/396.1, 409, 605, 397, 688, 704, 504;
211/134, 153, 181.1; 99/426, 395, 400,
425, 449; 126/348, 369; 280/30

(56) **References Cited**

U.S. PATENT DOCUMENTS

D131,059	S	*	1/1942	Lynch	D7/409
3,536,000	A	*	10/1970	Whitehill	99/425
D240,105	S	*	6/1976	Boyd et al.	D7/388
3,962,961	A	*	6/1976	Peters	99/426
3,972,318	A	*	8/1976	Lenoir	126/348
D268,163	S	*	3/1983	Hansen	D7/409
4,479,422	A	*	10/1984	Wagstaff	99/395

D316,944	S	*	5/1991	Manna	D7/388
D333,235	S	*	2/1993	Bertelsen	D7/388
D334,509	S	*	4/1993	Melvin	D7/504
D416,169	S	*	11/1999	Sarnoff et al.	D7/388
D425,754	S	*	5/2000	Matteson et al.	D7/409
D472,776	S	*	4/2003	Porter	D7/698
D484,003	S	*	12/2003	Bozych	D7/605

* cited by examiner

Primary Examiner—M. N. Pandozzi

(74) *Attorney, Agent, or Firm*—Collard & Roe, P.C.

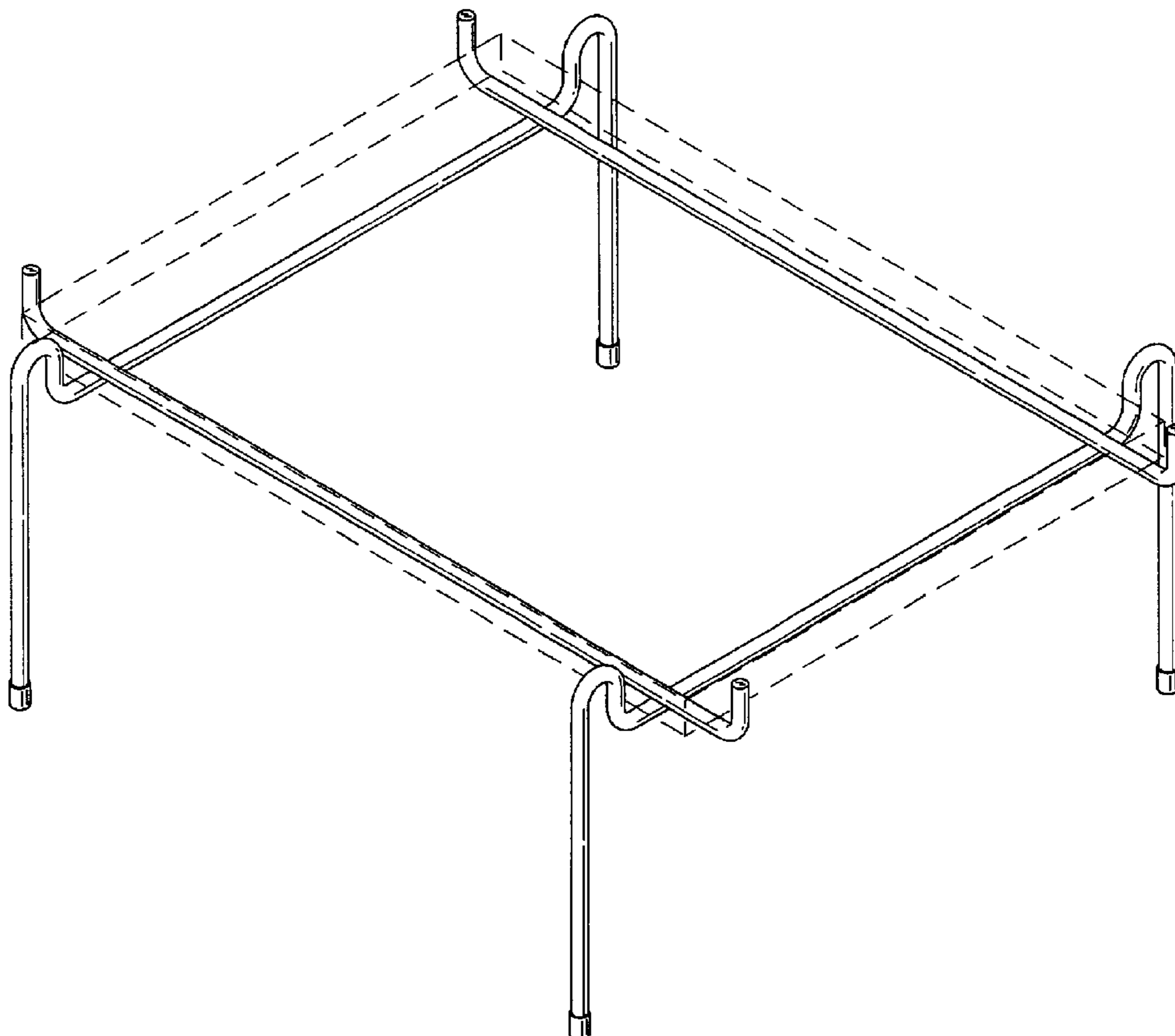
(57) **CLAIM**

The ornamental design for a cutting board holder, as shown and described.

DESCRIPTION

FIG. 1 shows a perspective view thereof;
FIG. 2 shows a longitudinal side view thereof with the opposite side being identical;
FIG. 3 shows a top view thereof;
FIG. 4 shows a latitudinal side view thereof with the opposite side being identical; and,
FIG. 5 shows a bottom view thereof.

1 Claim, 3 Drawing Sheets



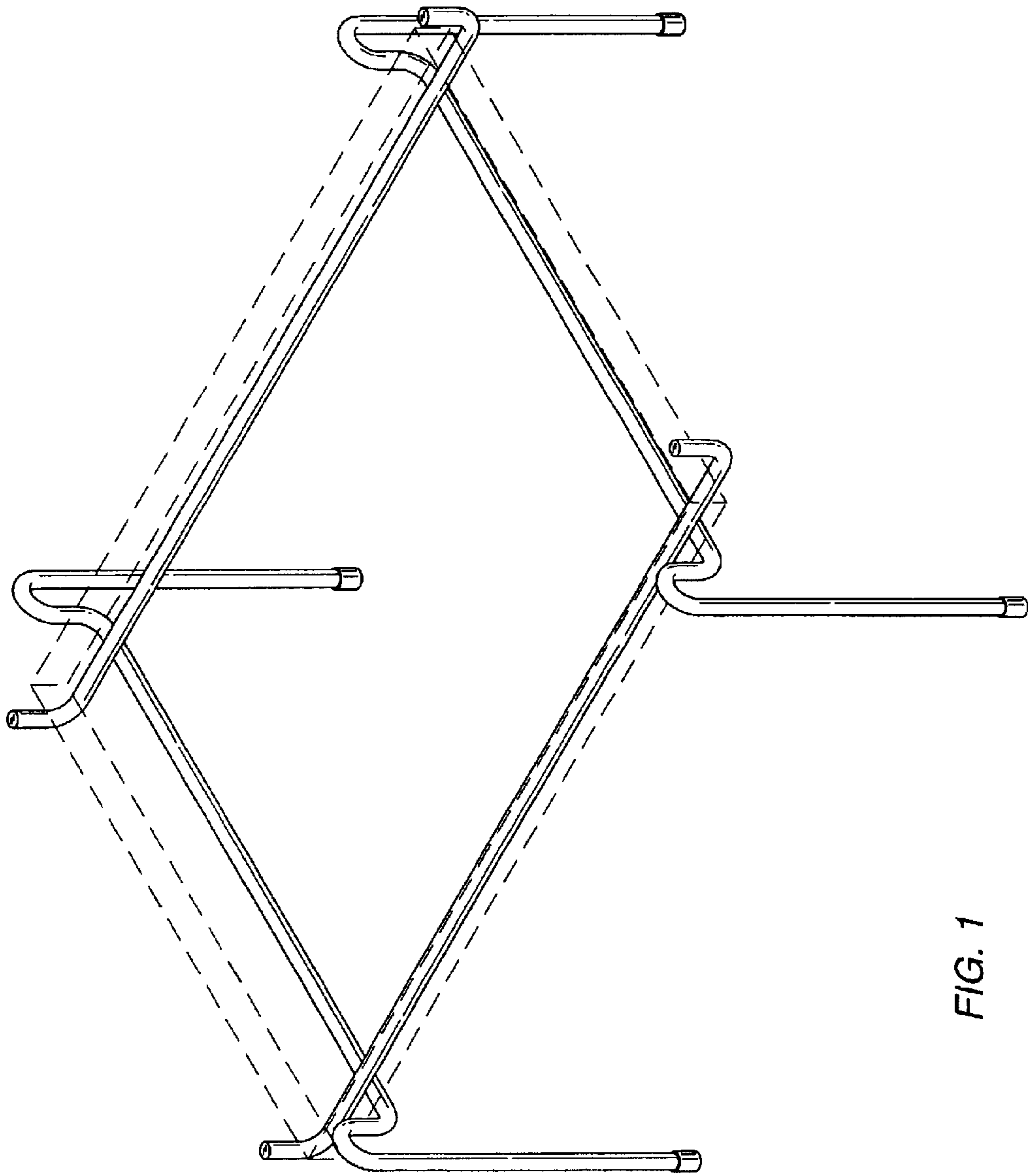


FIG. 1

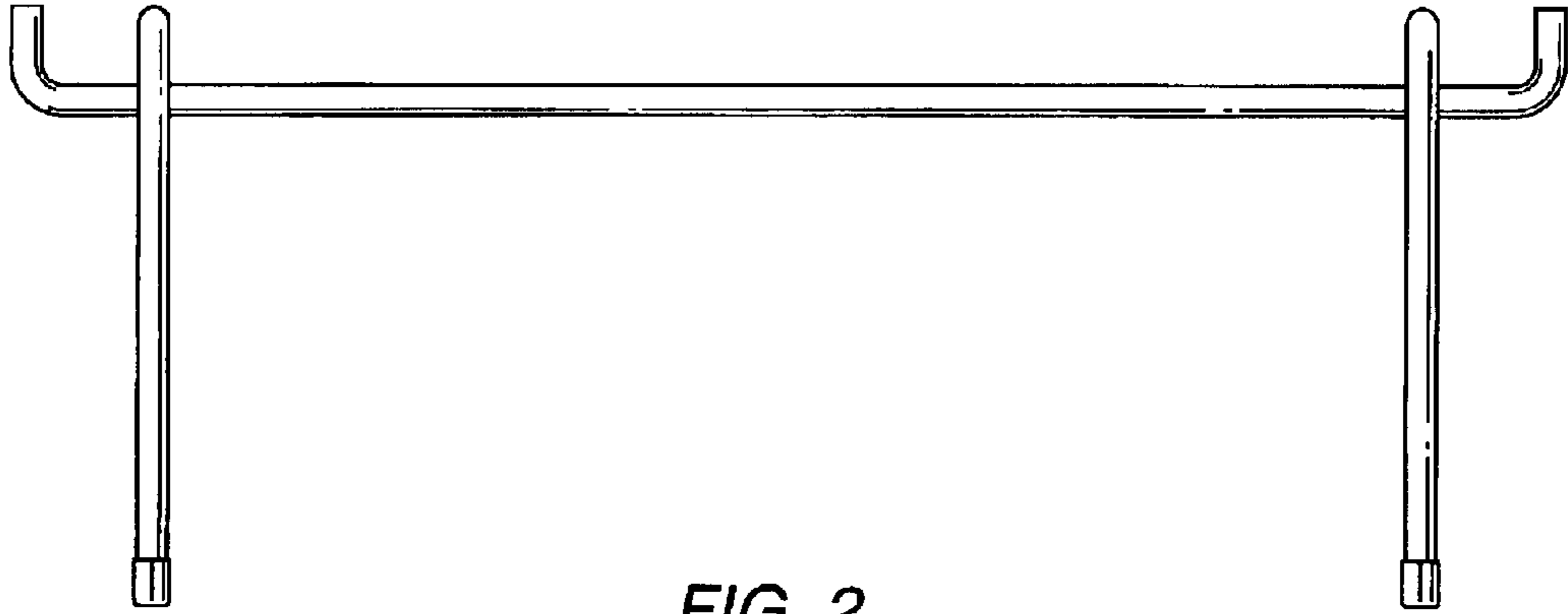


FIG. 2

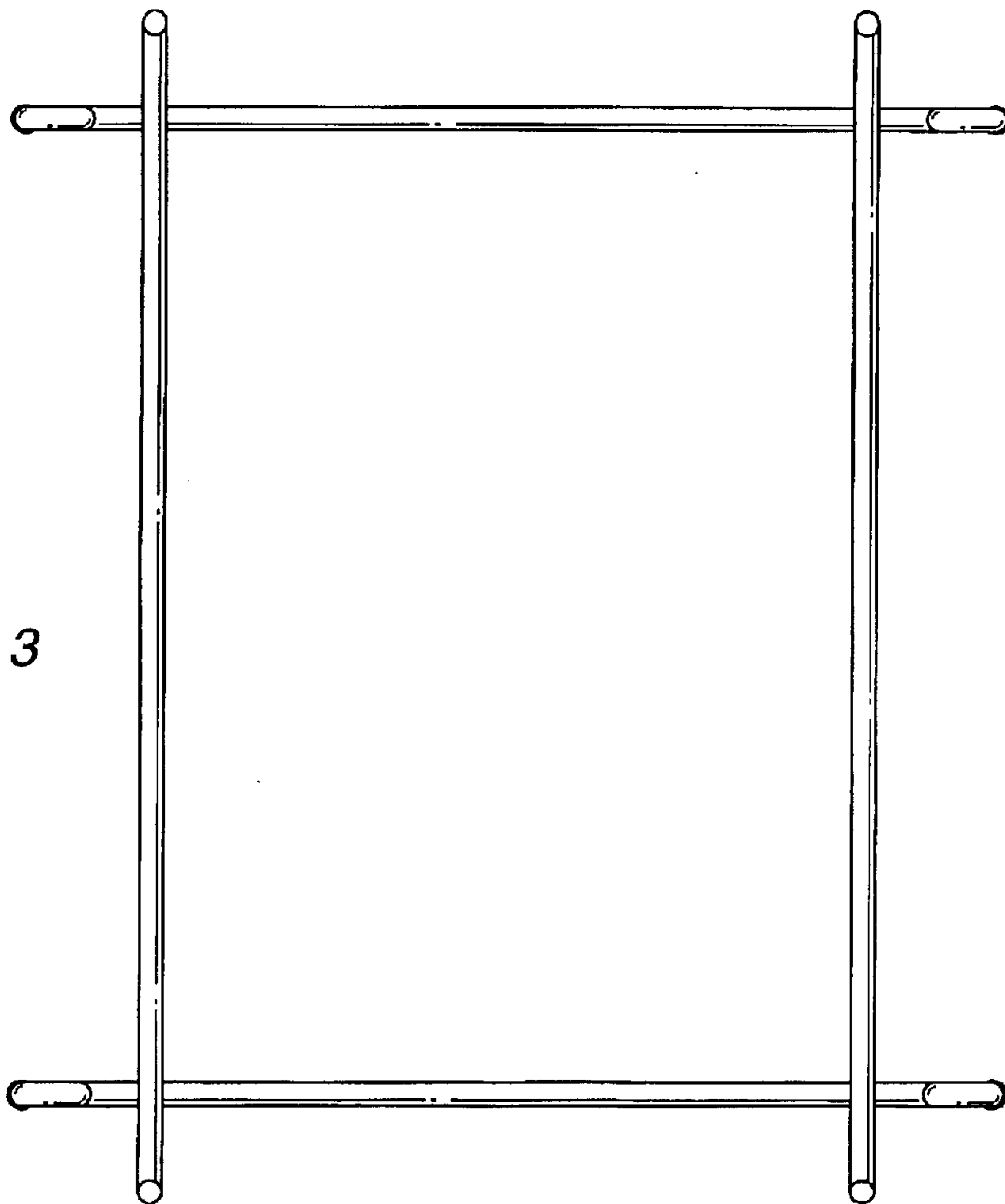


FIG. 3

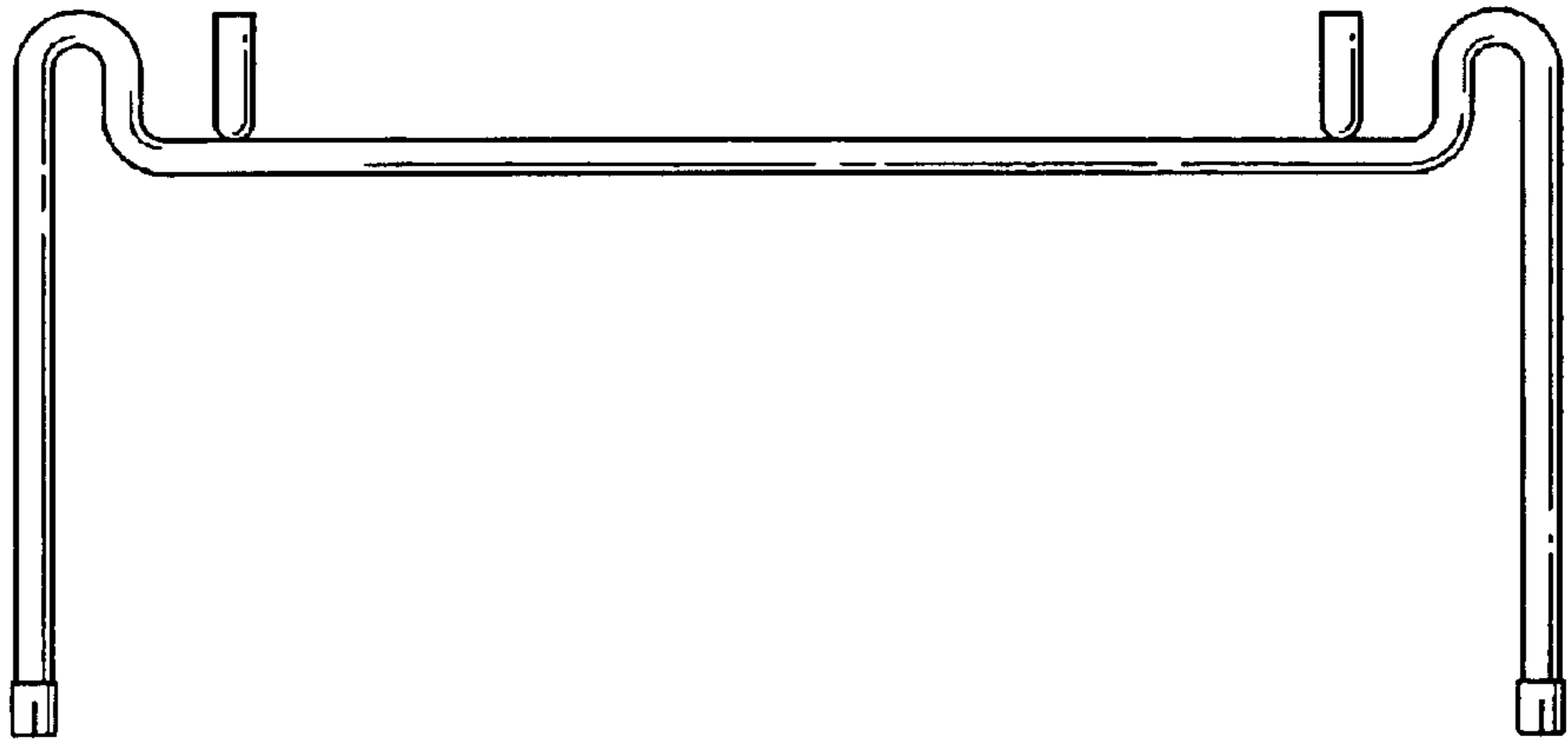


FIG. 4

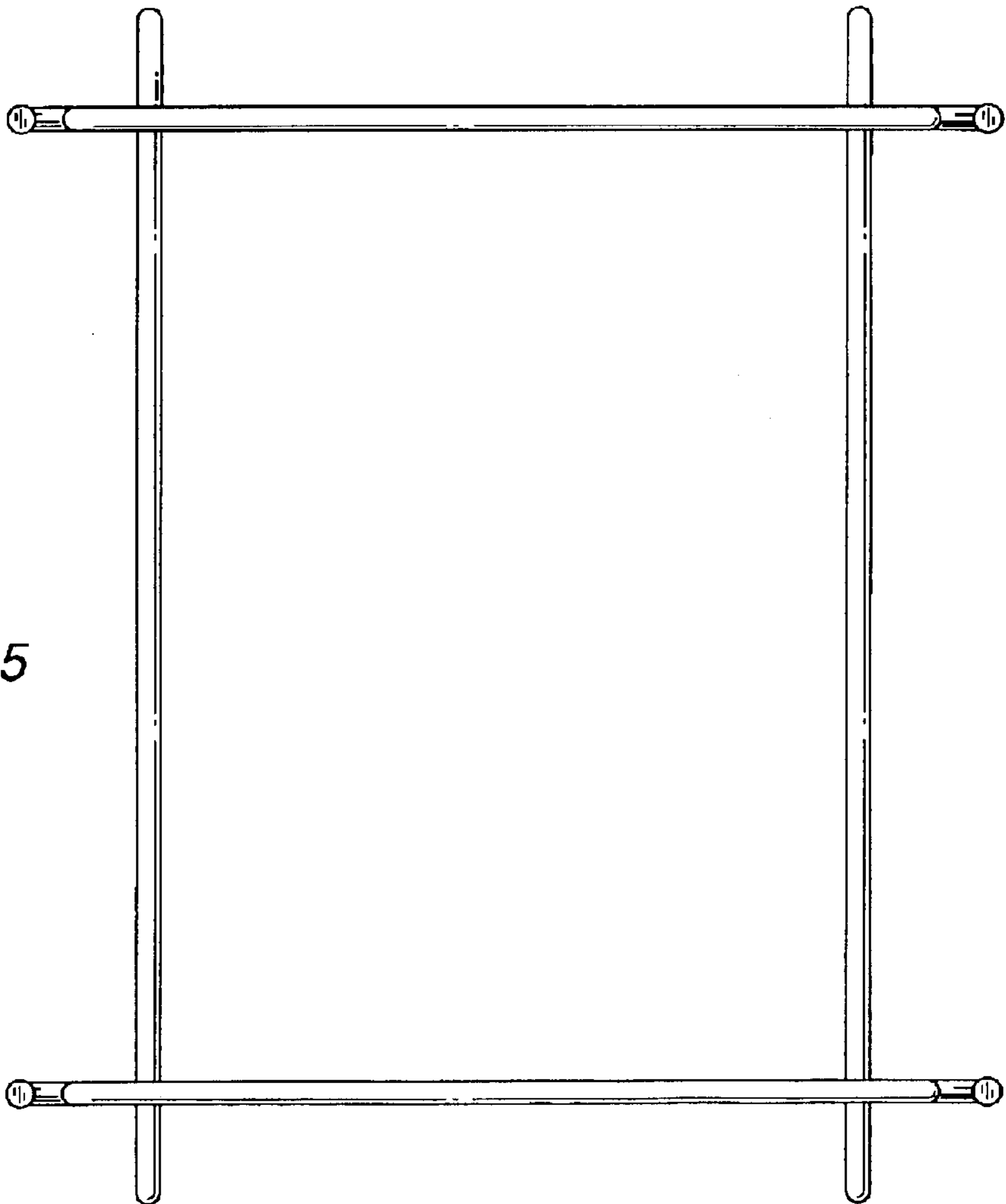


FIG. 5