



US00D491408S

(12) **United States Design Patent**
Clark et al.

(10) **Patent No.: US D491,408 S**

(45) **Date of Patent: ** Jun. 15, 2004**

(54) **BEVERAGE DISPENSER**

(76) Inventors: **Chuck Clark**, 901 Martin Downs Blvd., Palm City, FL (US) 34990; **Lou Martin, Jr.**, 2815 SE. Tate Ave., Port Saint Lucie, FL (US) 34984

(**) Term: **14 Years**

(21) Appl. No.: **29/163,907**

(22) Filed: **Jul. 16, 2002**

(51) **LOC (7) Cl. 07-01**

(52) **U.S. Cl. D7/306; D7/313**

(58) **Field of Search D7/306, 307, 308, D7/312, 313, 300, 301, 311, 397; D9/325; D20/4; 99/323.2; D34/39; 222/183, 131, 399, 209, 146.6, 129.1; 62/3.64**

(56) **References Cited**

U.S. PATENT DOCUMENTS

D38,674 S	*	7/1907	Millard	D7/301
D59,824 S	*	11/1921	Curtiss	D7/313
D167,222 S	*	7/1952	Parcher	7/195
D174,237 S	*	3/1955	Sieling	D7/301
D181,039 S	*	9/1957	Brown	D7/313
D194,117 S	*	11/1962	Weiss	D7/313
D199,407 S	*	10/1964	Ernest	D7/313
D200,655 S	*	3/1965	De Fano	D7/313
D217,691 S	*	5/1970	Earp	D7/313
D222,505 S	*	10/1971	Carr	D7/313
D242,834 S	*	12/1976	Little	D7/313

D244,929 S	*	7/1977	Armstrong	D7/313
D248,658 S	*	7/1978	Buffington	D7/301
D299,689 S	*	2/1989	Laycock	D7/313
4,993,229 A	*	2/1991	Baus et al.	62/3.64
D358,289 S	*	5/1995	Thies et al.	D7/306
D431,145 S	*	9/2000	Woebcke et al.	D7/306
D450,214 S	*	11/2001	Woebcke et al.	D7/306
D452,414 S	*	12/2001	Miller	D7/397
D459,139 S	*	6/2002	Vlooswijk et al.	D7/313
D463,194 S	*	9/2002	Busick et al.	D7/313
D464,226 S	*	10/2002	Lassota et al.	D7/306

* cited by examiner

Primary Examiner—M. N. Pandozzi

(74) *Attorney, Agent, or Firm*—McHale & Slavin, P.A.

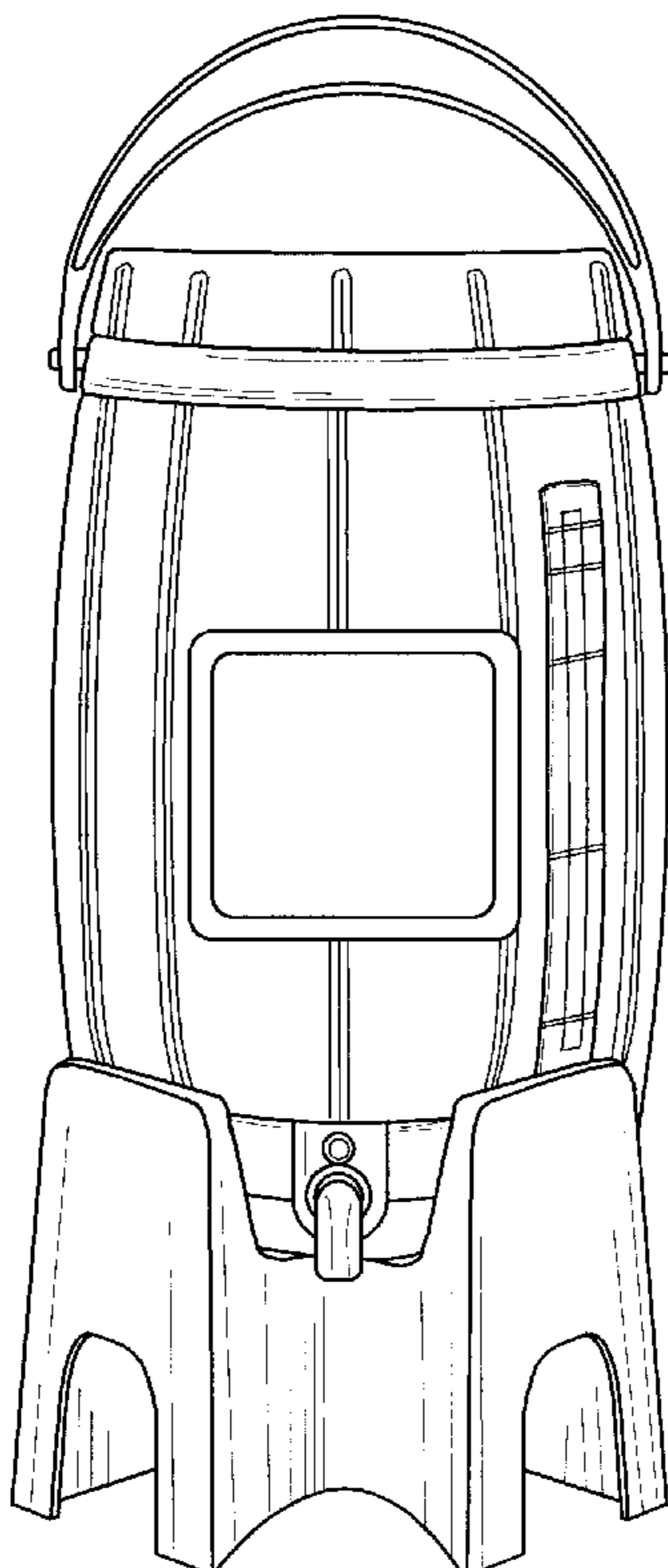
(57) **CLAIM**

The ornamental design for a beverage dispenser, as shown and described.

DESCRIPTION

FIG. 1 is a front elevational view of the beverage dispenser of the invention;
FIG. 2 is a left side view thereof, the right side view being a mirror image thereof;
FIG. 3 is a rear elevational view of the beverage dispenser of FIG. 1;
FIG. 4 is a top end view of the beverage dispenser of FIG. 1; and,
FIG. 5 is a bottom end view of the beverage dispenser of FIG. 1.

1 Claim, 5 Drawing Sheets



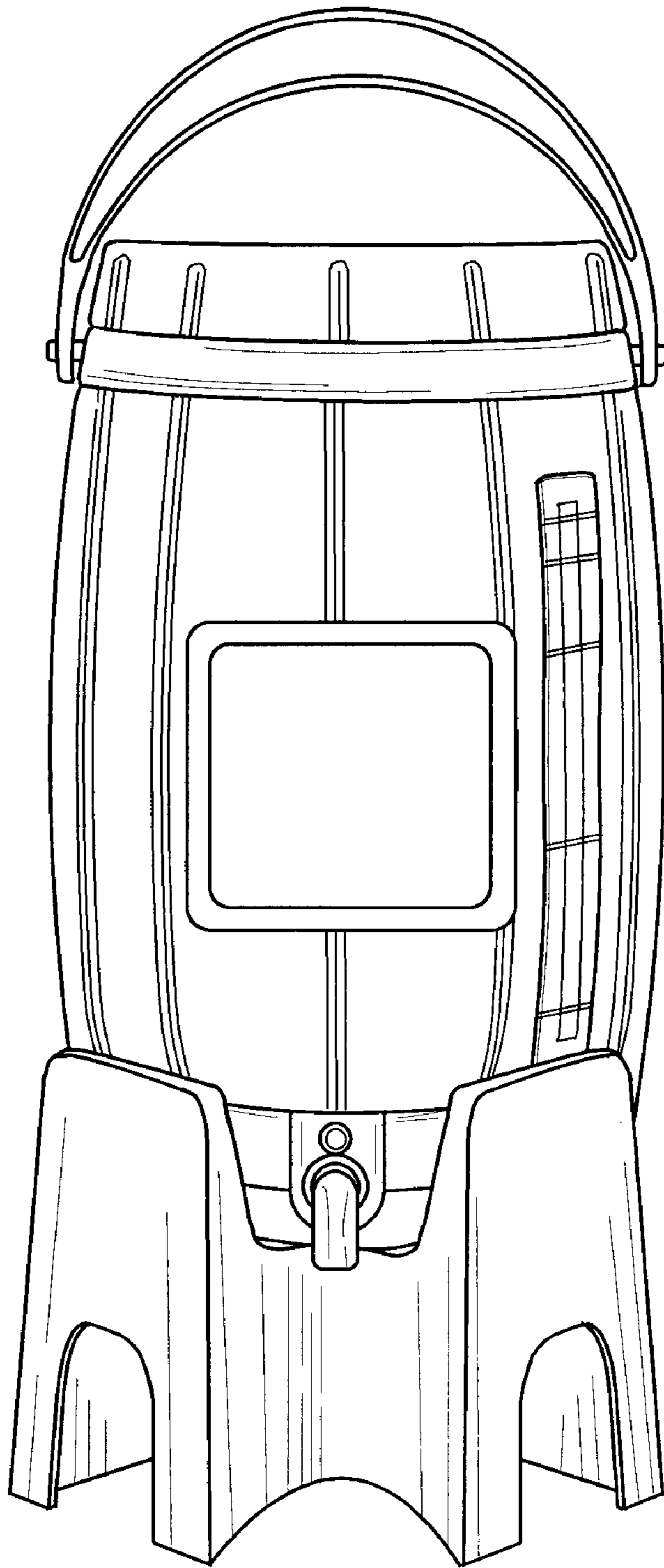


FIG. 1

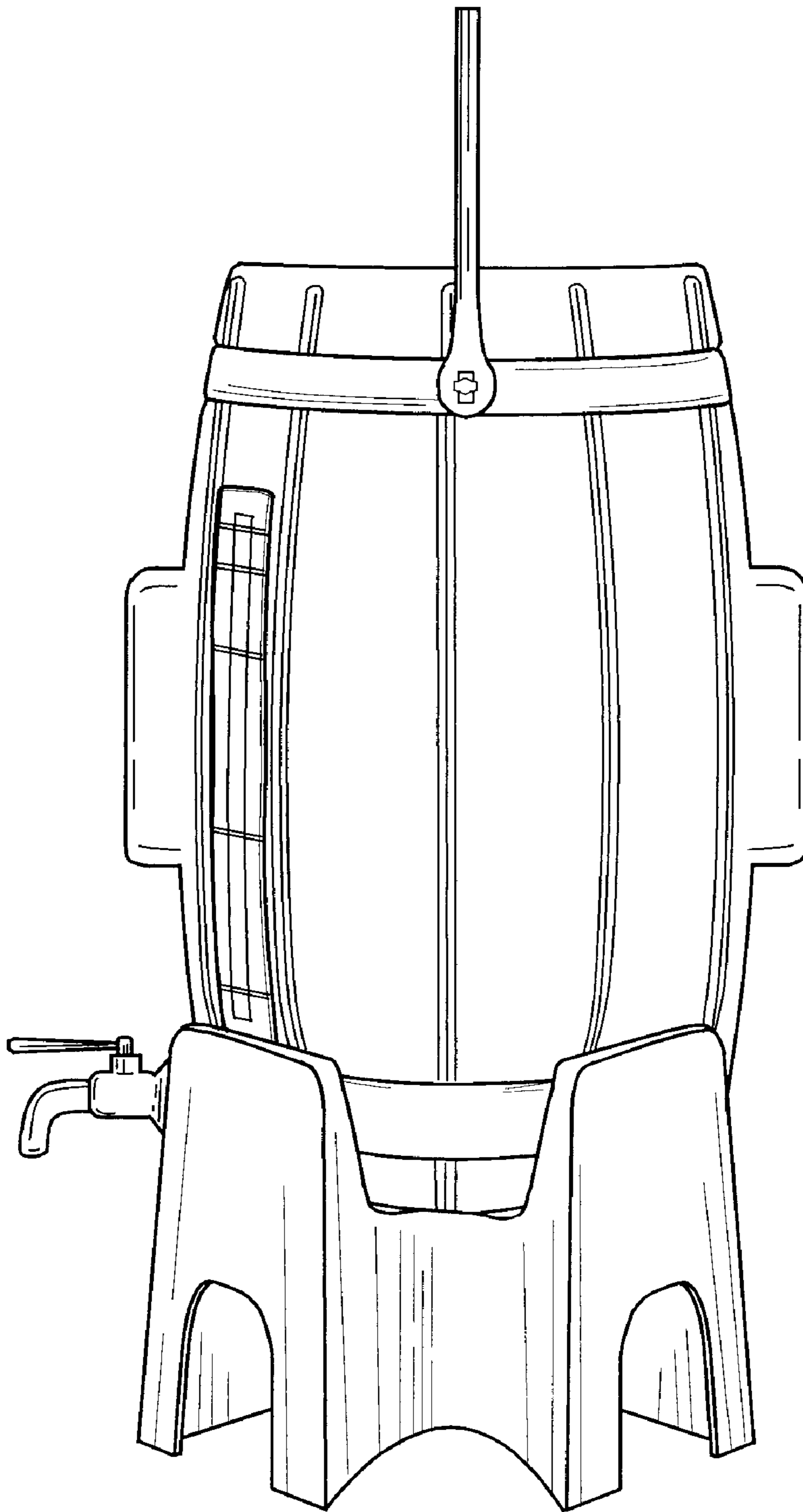


FIG. 2

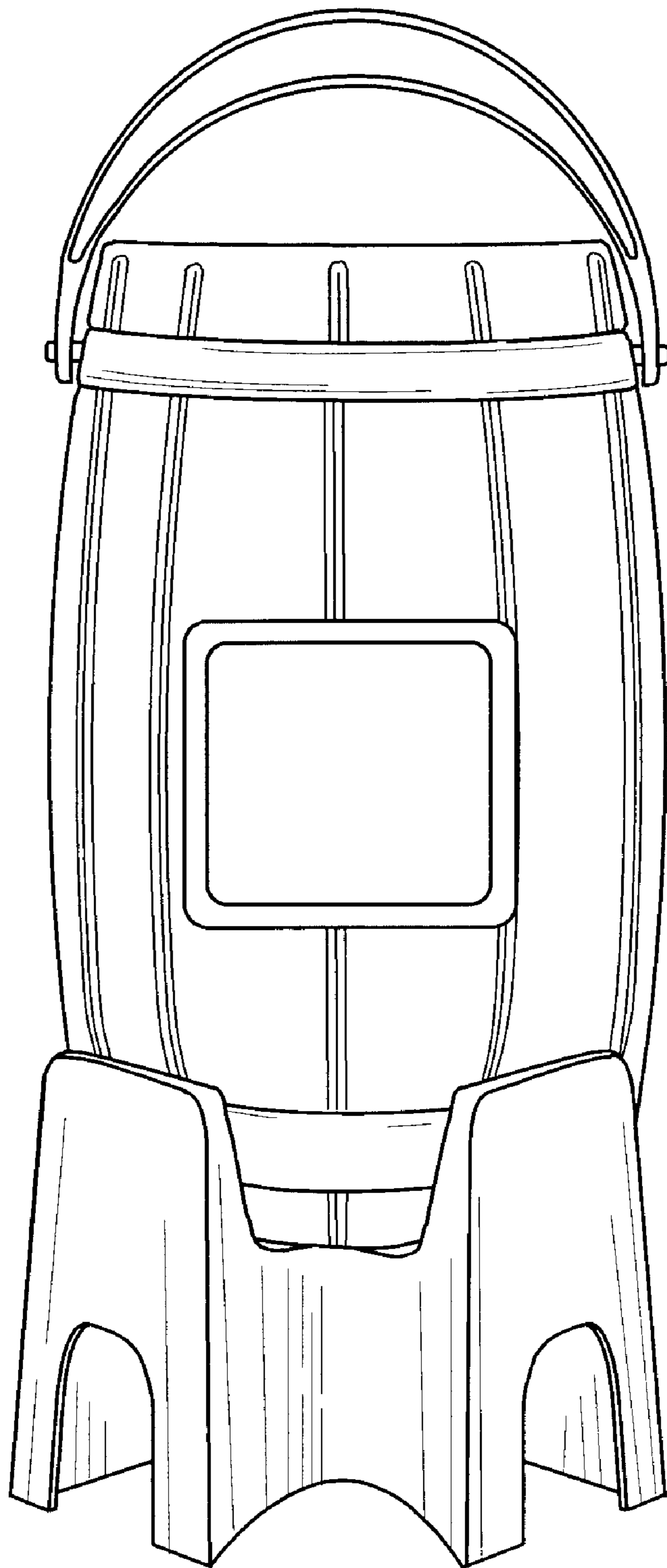


FIG. 3

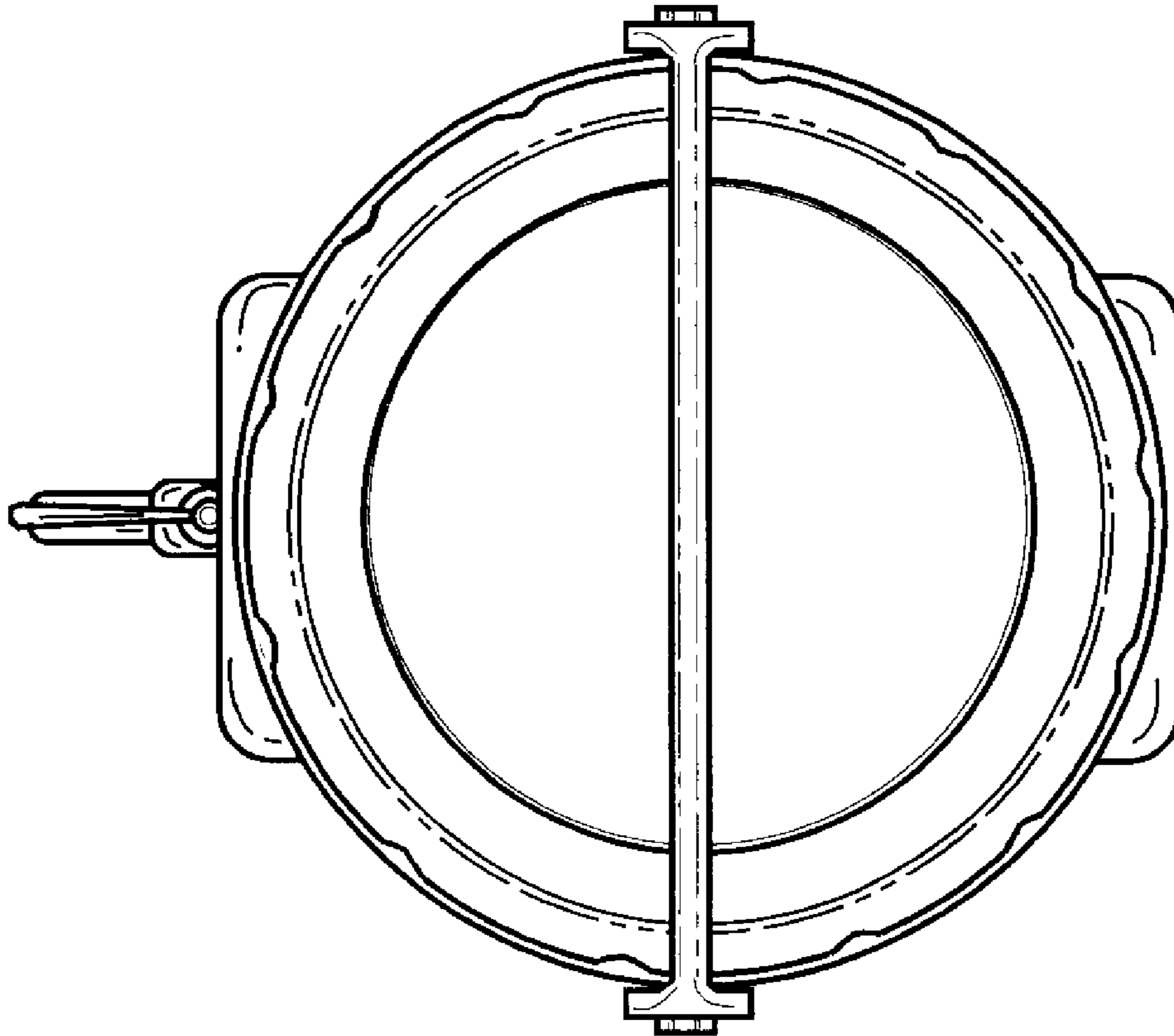


FIG. 4

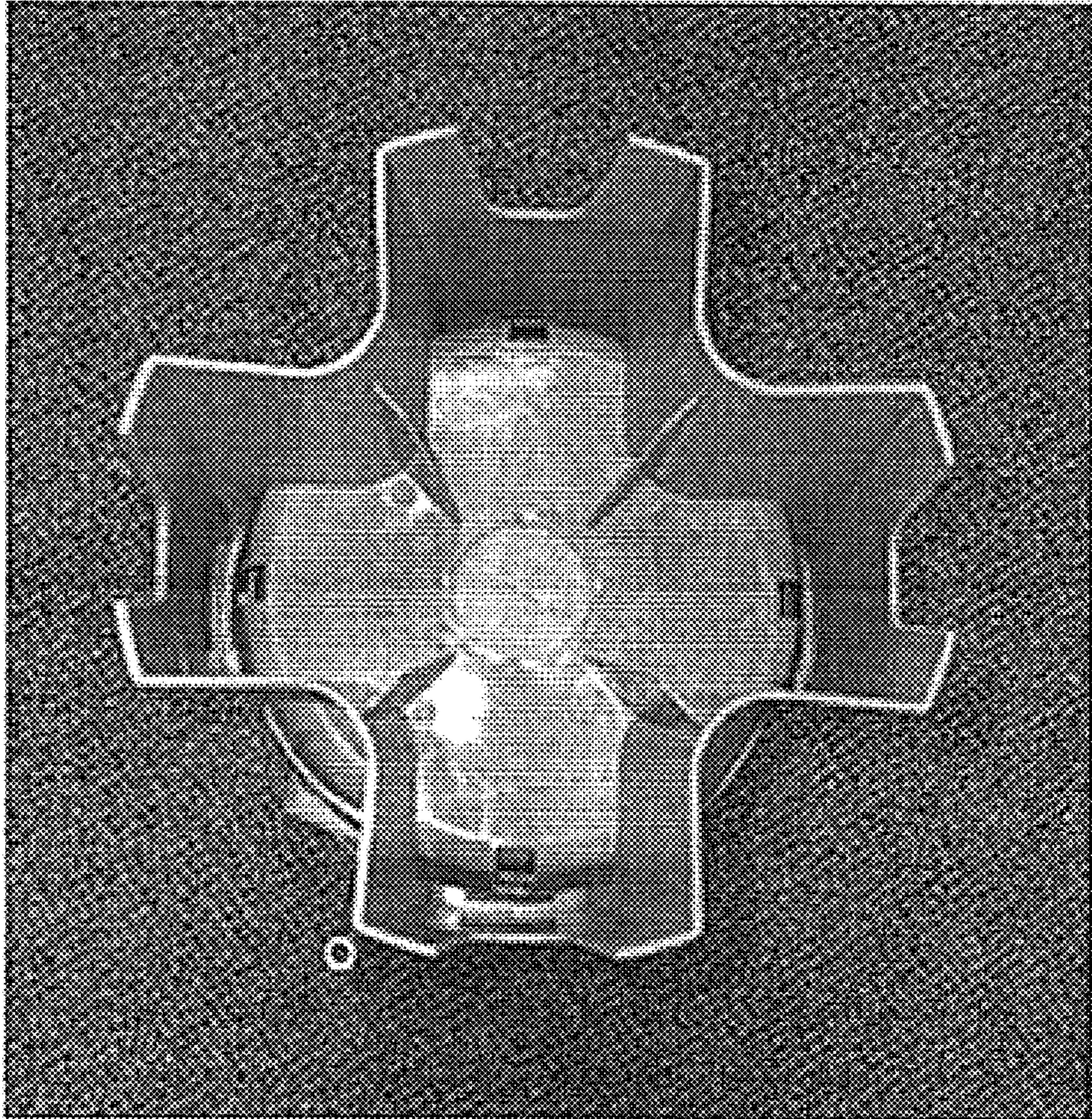


FIG. 5