



US00D491401S

(12) **United States Design Patent**  
**Yang et al.**

(10) **Patent No.: US D491,401 S**

(45) **Date of Patent: \*\* Jun. 15, 2004**

(54) **CHAIR BACK**

(76) Inventors: **Jian Hui Yang**, Chidian, Jinjiang, Fujian (CN); **Dennis M. Turner**, 11350 N. Mann Rd., Mooresville, IN (US) 46158; **Paul T. Zink**, 915 N. Graham Ave., Indianapolis, IN (US) 46219; **Jason Andrews**, 4631 Acire La., Indianapolis, IN (US) 46254

(\*\*) Term: **14 Years**

(21) Appl. No.: **29/190,597**

(22) Filed: **Sep. 24, 2003**

(51) **LOC (7) Cl. .... 06-01**

(52) **U.S. Cl. .... D6/502**

(58) **Field of Search** ..... D6/334-336, 368, D6/374, 376, 380, 500-502; 297/16.1, 40, 41, 55, 56, 58, 59, 239, 452.29, 440.2

(56) **References Cited**

**U.S. PATENT DOCUMENTS**

D75,519 S	6/1928	Salomon	
D75,556 S	6/1928	Glantz	
D107,545 S	12/1937	O'Connor	
2,458,095 A	1/1949	O'Connor	
2,509,107 A	5/1950	O'Connor	
2,607,399 A	8/1952	O'Connor	
2,991,123 A *	7/1961	Hamilton	297/55
3,001,816 A *	9/1961	Clarín	297/56
D214,267 S *	5/1969	Moore et al.	D6/368
3,695,687 A *	10/1972	Uyeda	297/56

D436,457 S *	1/2001	Ambasz	D6/368
D443,429 S *	6/2001	Mower et al.	D6/368
D446,661 S *	8/2001	Ambasz	D6/368
6,305,747 B1 *	10/2001	Mei	297/440.2
D465,346 S	11/2002	Lin	
D465,665 S *	11/2002	Ritchie et al.	D6/368
D465,940 S *	11/2002	Nien	D6/368
D467,759 S	12/2002	Dellinger	
D481,232 S *	10/2003	Turner et al.	D6/500

\* cited by examiner

*Primary Examiner*—Stacia Cadmus

*Assistant Examiner*—Mimosa De

(74) *Attorney, Agent, or Firm*—Barnes & Thornburg

(57) **CLAIM**

The ornamental design for a chair back, as shown and described.

**DESCRIPTION**

FIG. 1 is a perspective view of a chair back in accordance with our new design, with portions of a chair forming the environment of the chair back and being illustrated in broken lines, which broken lines are for illustrative purposes only and form no part of the chair back;

FIG. 2 is a front elevational view of the chair back shown in FIG. 1;

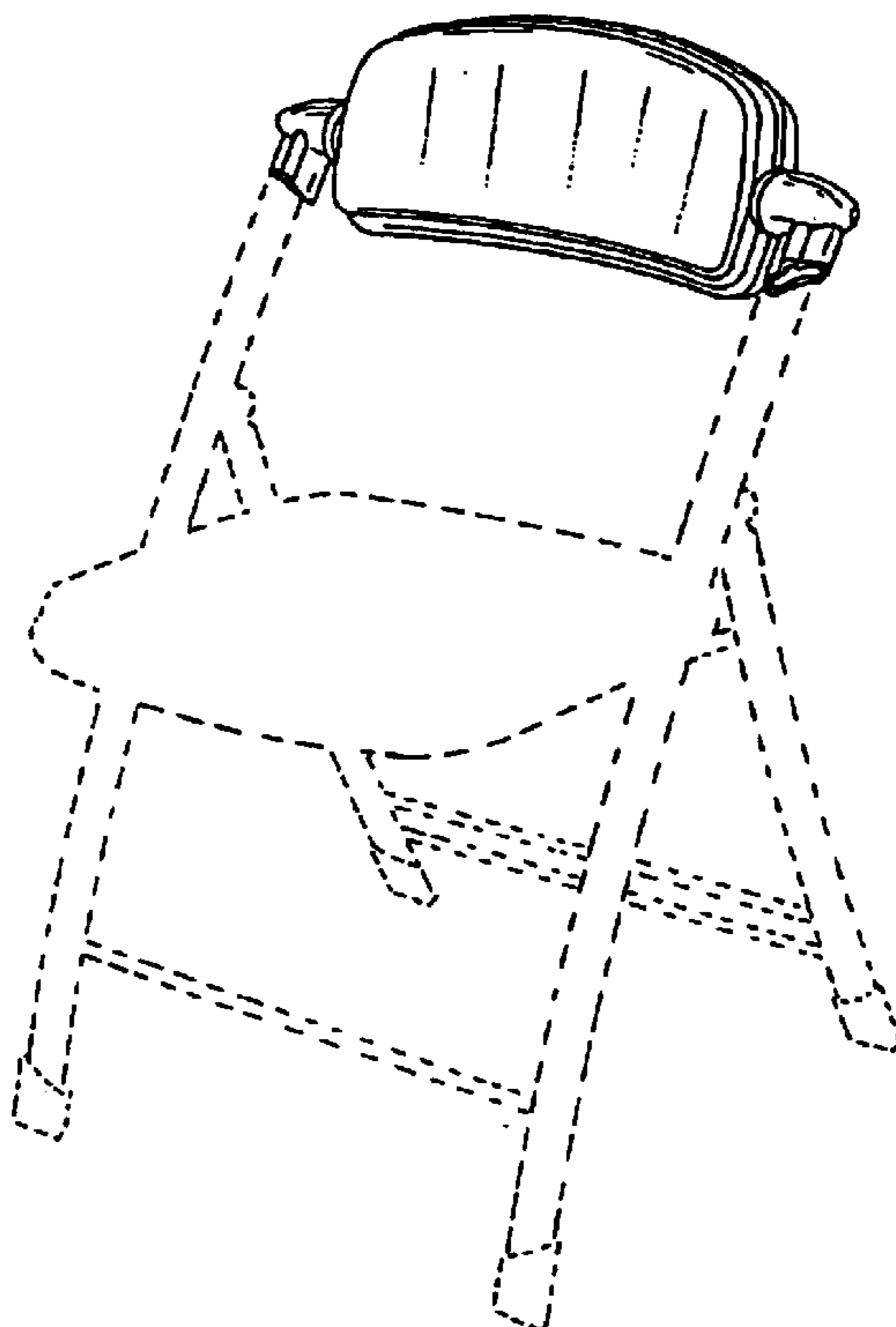
FIG. 3 is a right-side elevational view thereof, the right and left sides of the chair back being symmetrical to one another;

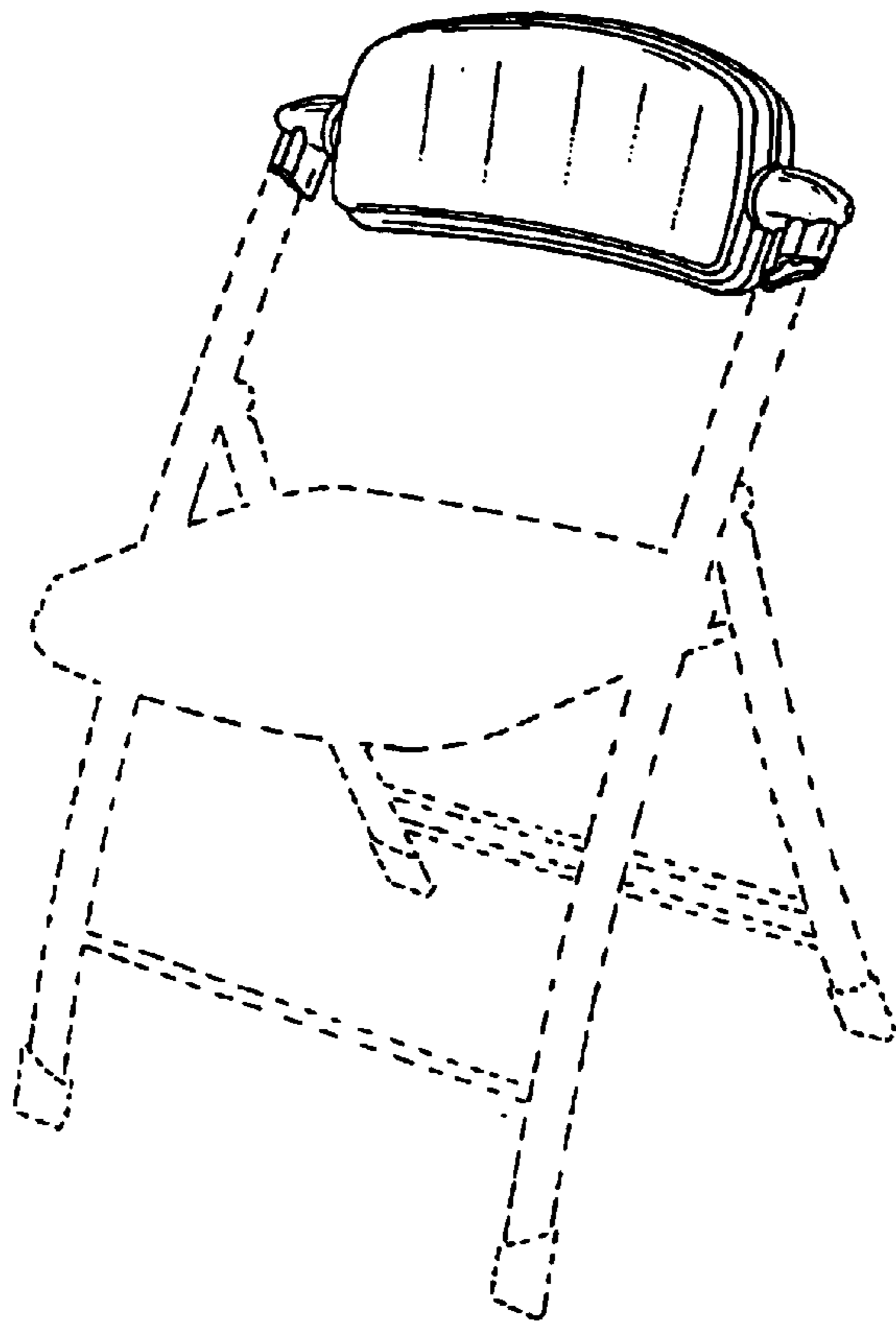
FIG. 4 is a top plan view thereof;

FIG. 5 is a rear elevational view thereof; and,

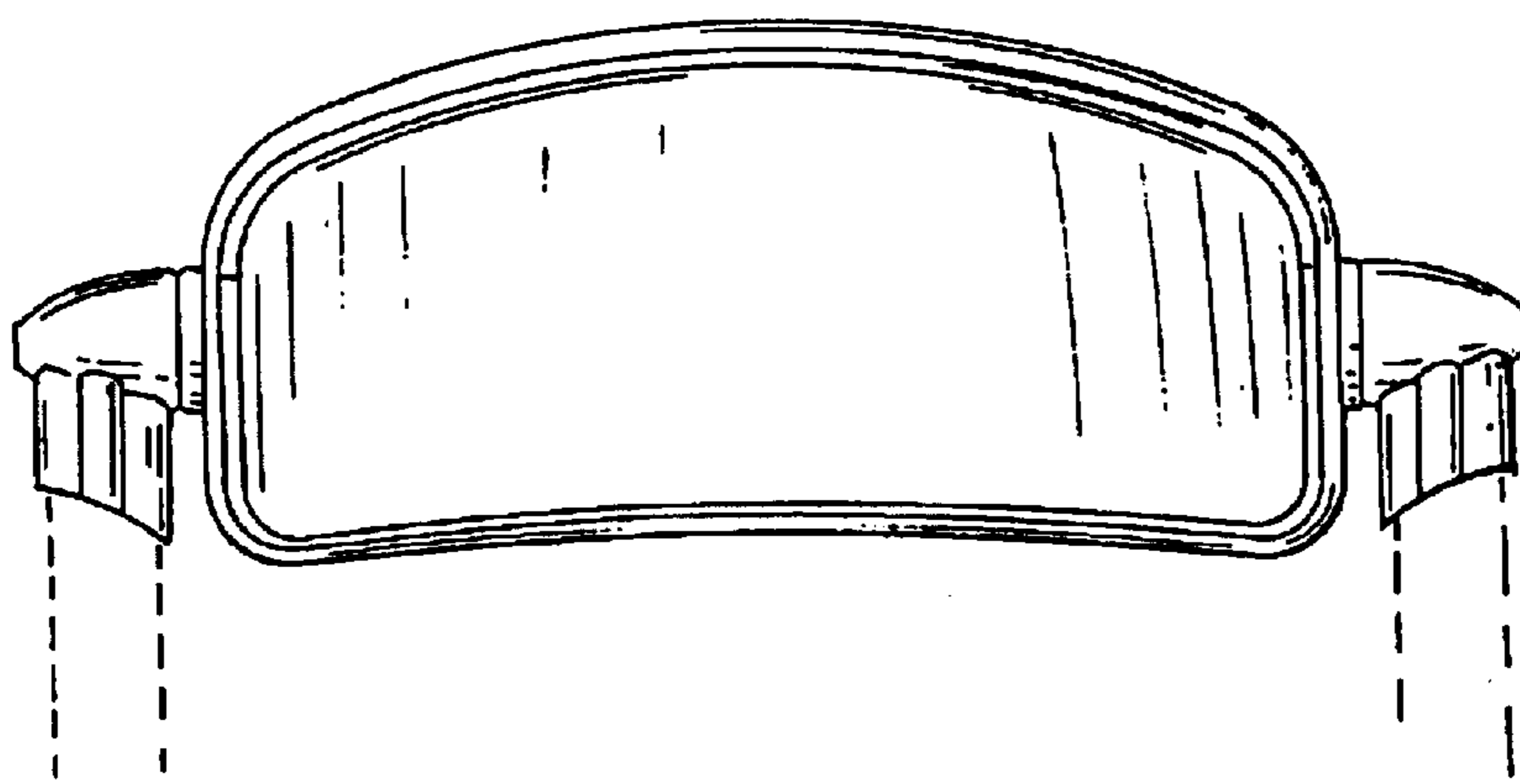
FIG. 6 is a bottom view thereof.

**1 Claim, 2 Drawing Sheets**

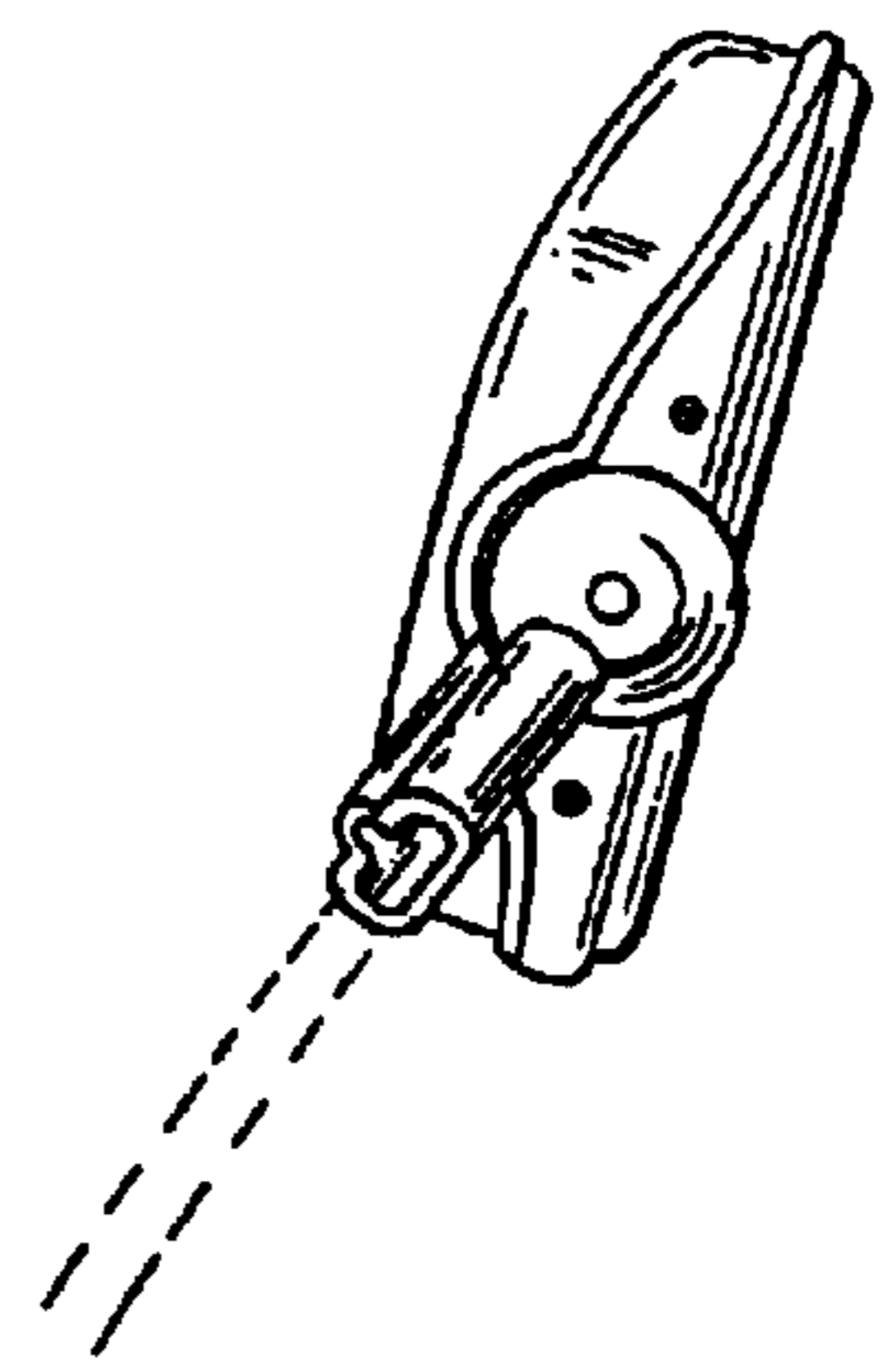




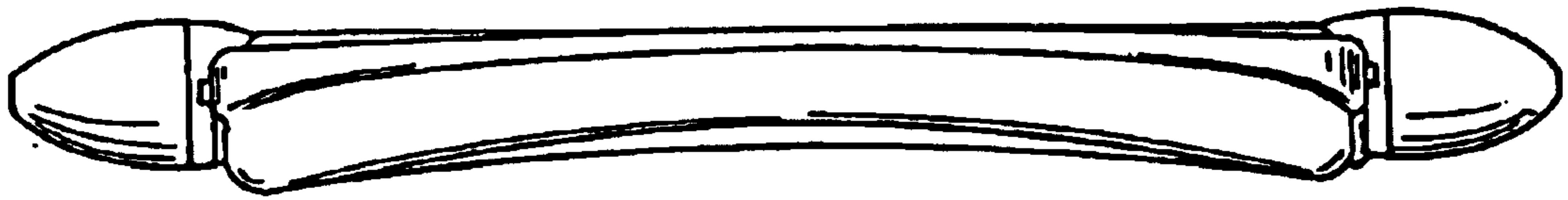
*FIG. 1*



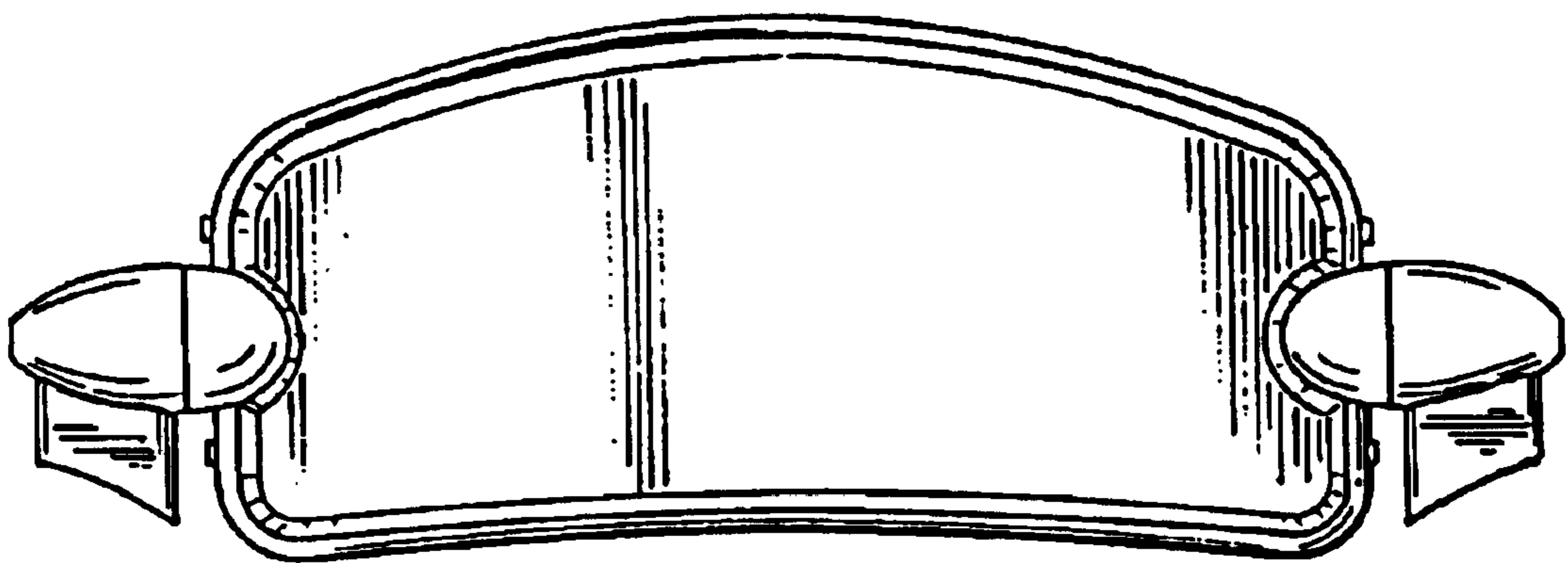
*FIG. 2*



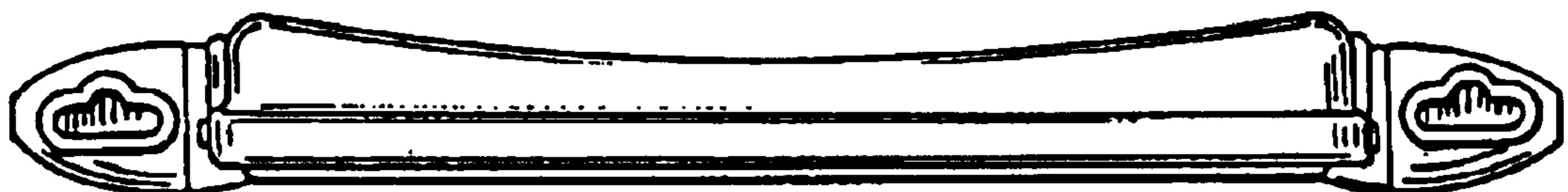
*FIG. 3*



*FIG. 4*



*FIG. 5*



*FIG. 6*