



US00D491393S

(12) **United States Design Patent**
Kelterborn

(10) **Patent No.:** **US D491,393 S**

(45) **Date of Patent:** **** *Jun. 15, 2004**

(54) **SPRING FOOT**

6,315,262 B1 * 11/2001 Hur 248/188.2 X
6,407,351 B1 * 6/2002 Meyer et al. 248/188.2 X

(76) Inventor: **Shannon E. Kelterborn**, 33792 Violet
Lantern, Dana Point, CA (US) 92629

* cited by examiner

(*) Notice: This patent is subject to a terminal dis-
claimer.

Primary Examiner—Brian N. Vinson
(74) *Attorney, Agent, or Firm*—John W. Eldredge; Stradling
Yocca Carlson & Rauth

(**) Term: **14 Years**

(57) **CLAIM**

(21) Appl. No.: **29/147,181**

The ornamental design for a spring foot, as shown and
described.

(22) Filed: **Aug. 23, 2001**

(51) **LOC (7) Cl.** **06-06**

(52) **U.S. Cl.** **D6/496**

(58) **Field of Search** D6/495, 496; D8/374,
D8/400; 248/188, 188.2

DESCRIPTION

(56) **References Cited**

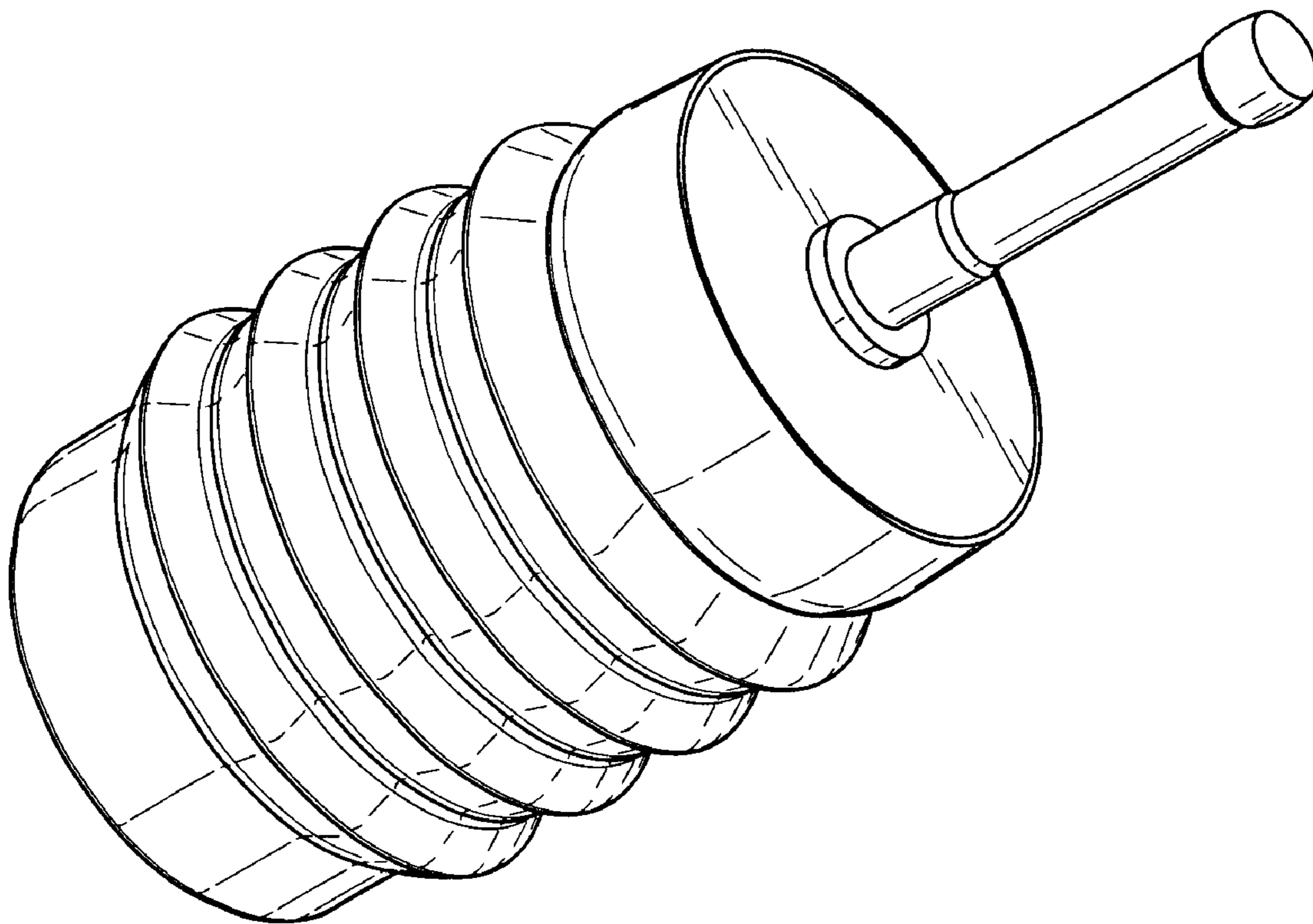
U.S. PATENT DOCUMENTS

- D179,938 S * 3/1957 Fisher D6/495
- D237,573 S * 11/1975 Haug D8/374 X
- D418,699 S * 1/2000 Burns et al. D6/496 X
- D427,461 S * 7/2000 Burns et al. D6/495

FIG. 1 is a top/side perspective view of the spring foot,
showing a new design;
FIG. 2 is a bottom/side perspective view thereof;
FIG. 3 is a side view thereof;
FIG. 4 is a top view thereof; and,
FIG. 5 is a bottom view thereof.

The spring foot is generally symetric about the longitudinal
centerline thereof.

1 Claim, 2 Drawing Sheets



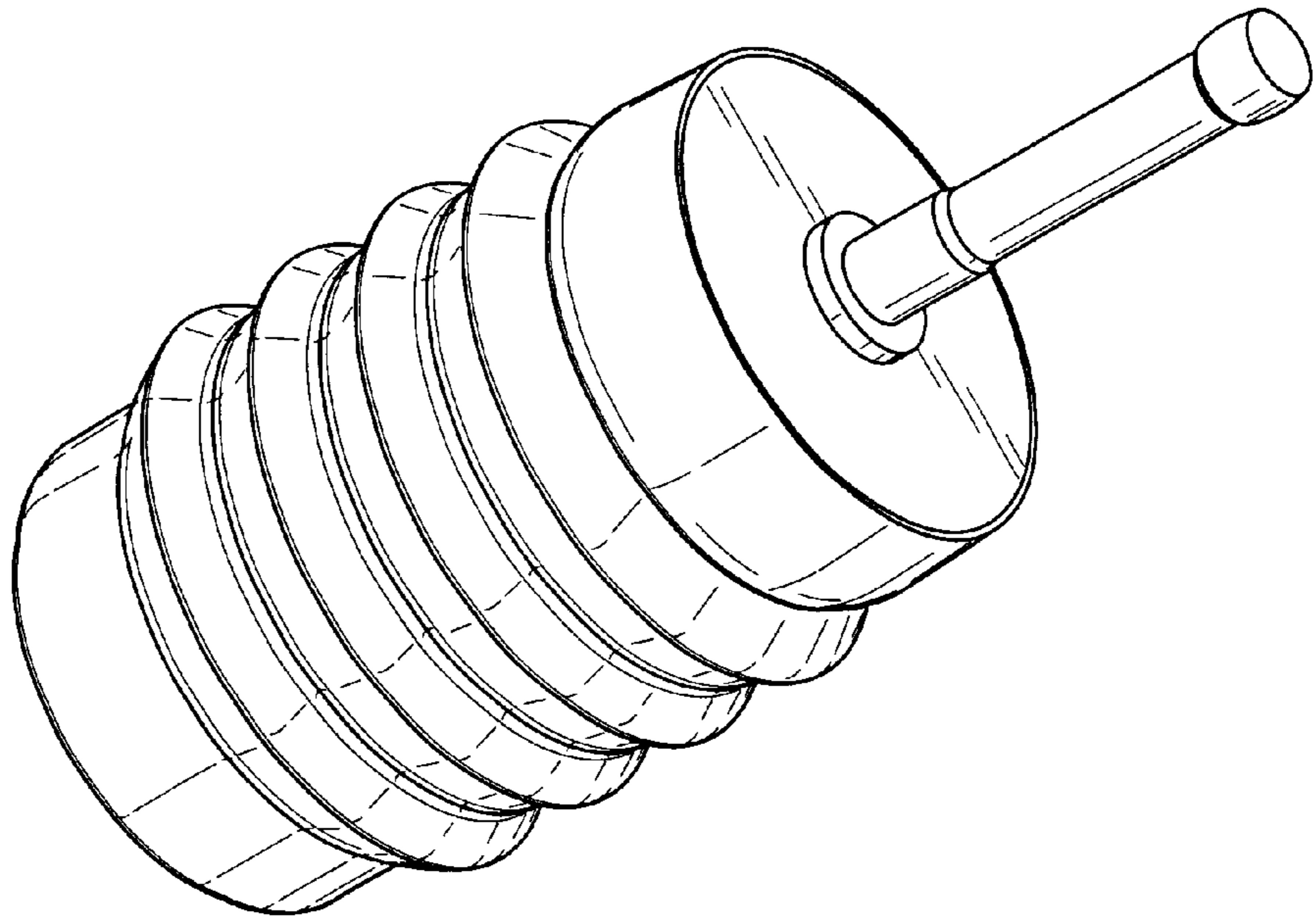


Fig. 1

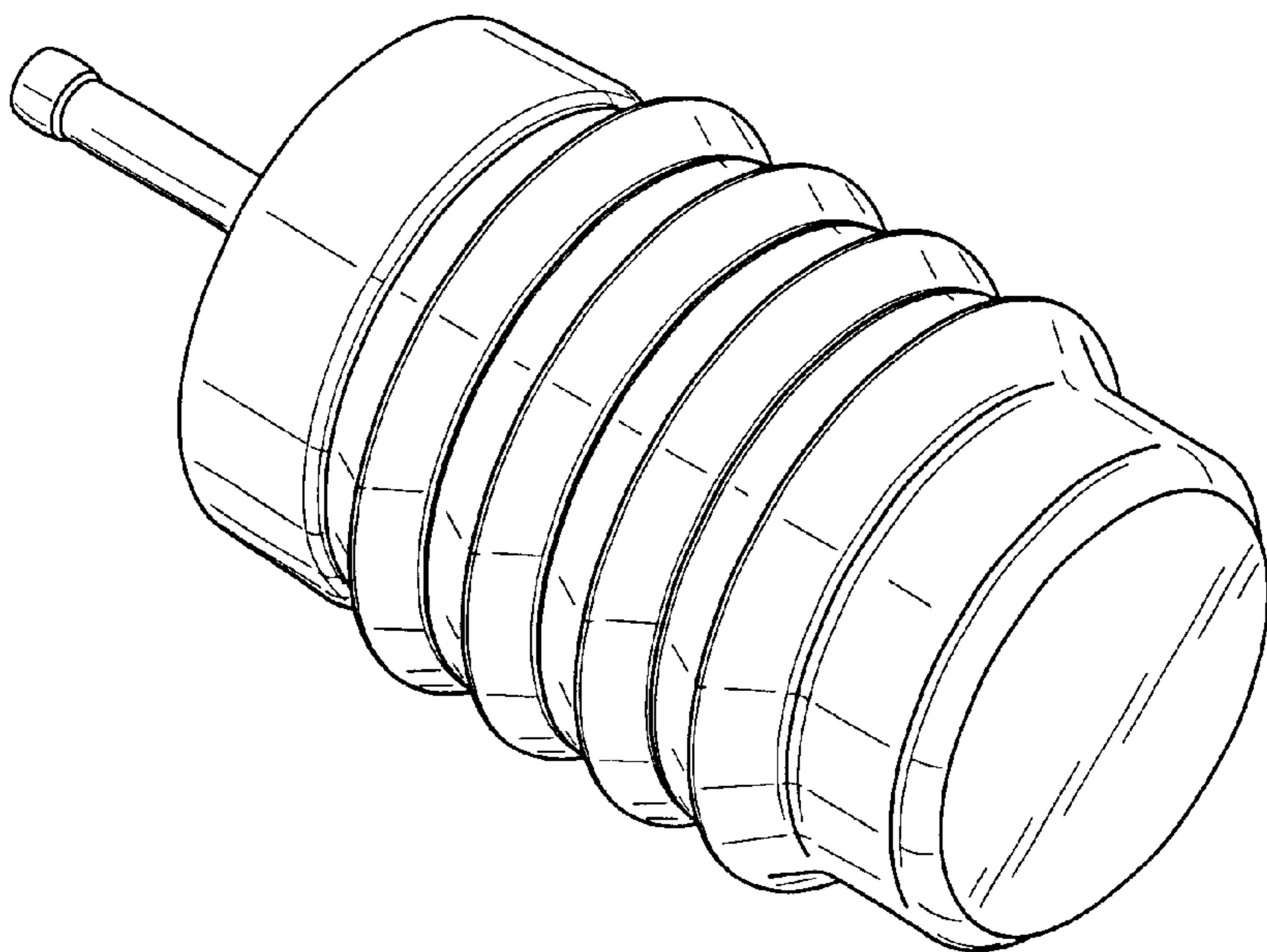


Fig. 2

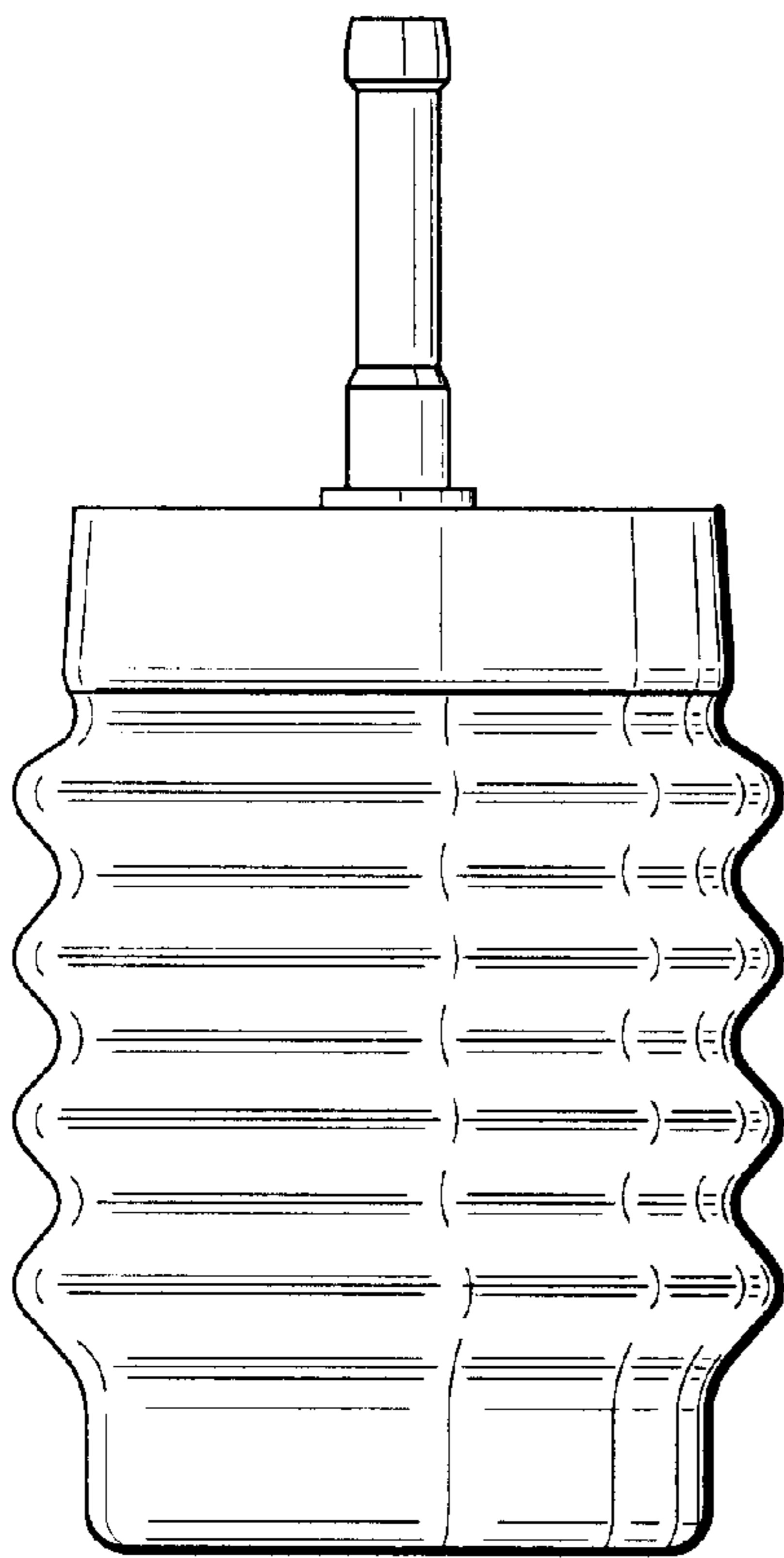


Fig. 3

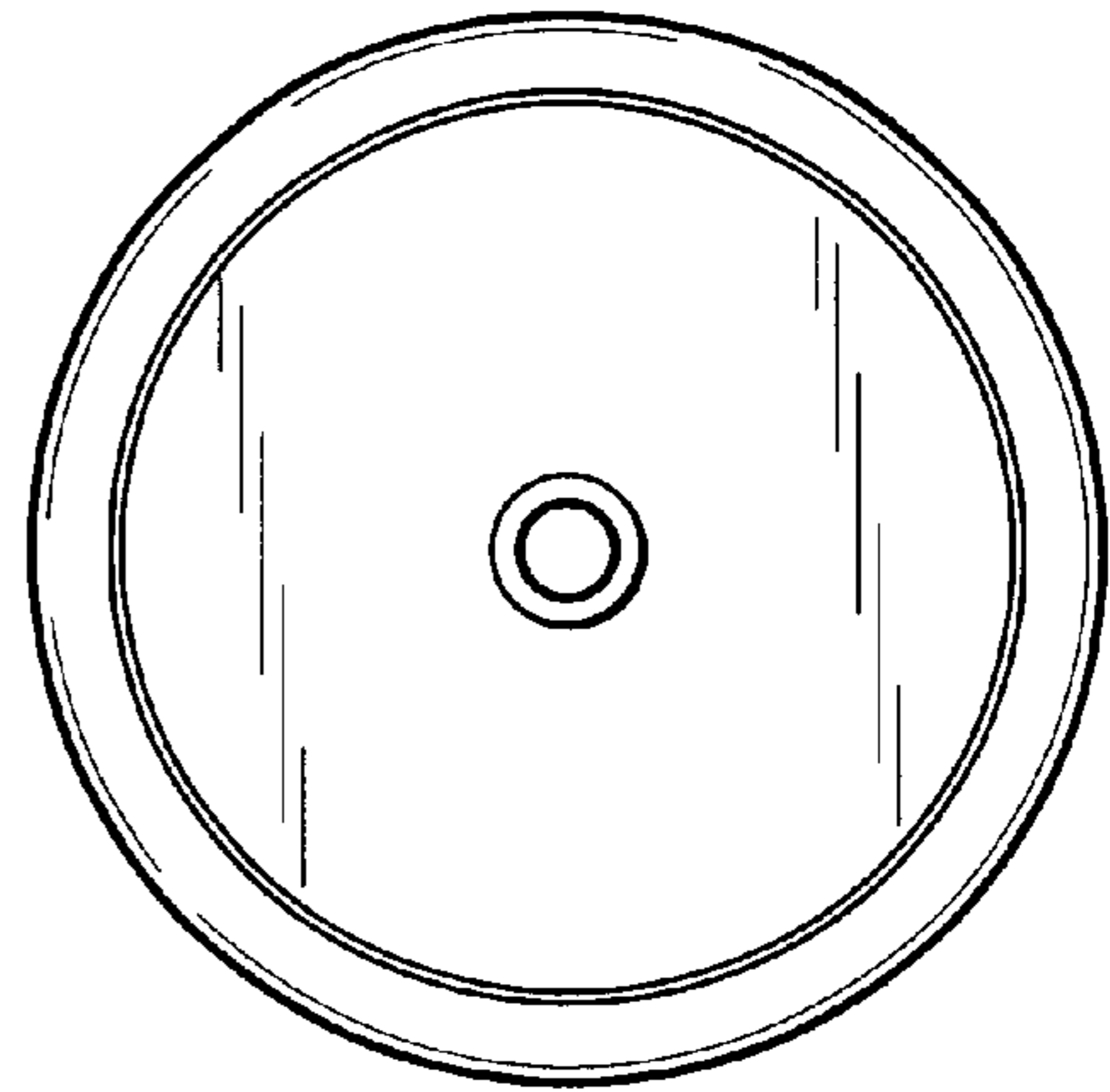


Fig. 4

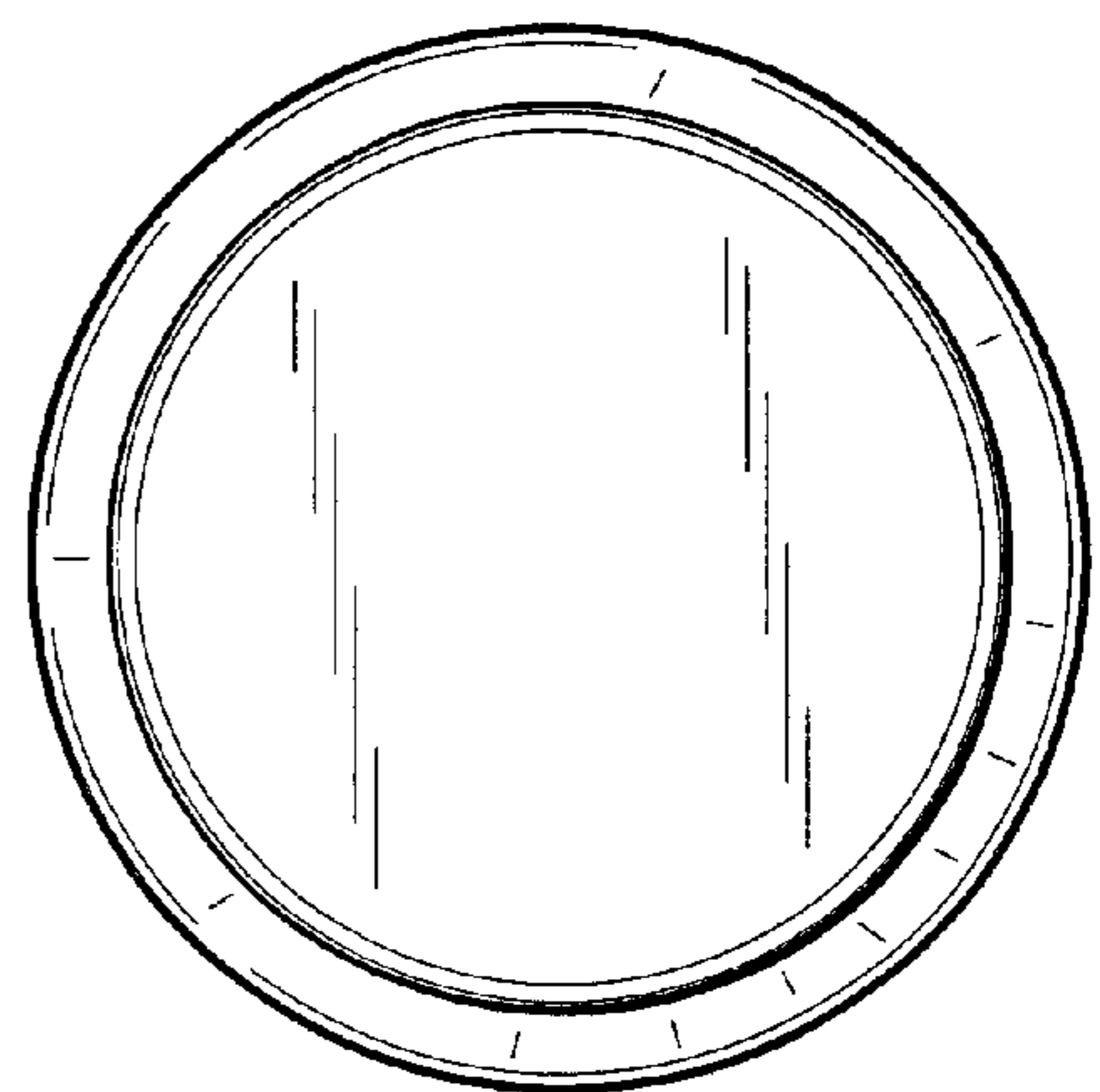


Fig. 5