



US00D491392S

(12) **United States Design Patent**
Risdon et al.

(10) **Patent No.:** **US D491,392 S**

(45) **Date of Patent:** **** Jun. 15, 2004**

(54) **FURNITURE BASE**

D387,925 S * 12/1997 Keller et al. D6/438

(75) Inventors: **Scott M. Risdon**, Greensboro, NC
(US); **Timothy M. O'Hare**, Oak Ridge,
NC (US)

(73) Assignee: **Pennsylvania House, Inc.**, Greensboro,
NC (US)

(**) Term: **14 Years**

(21) Appl. No.: **29/176,466**

(22) Filed: **Feb. 21, 2003**

(51) **LOC (7) Cl.** **06-06**

(52) **U.S. Cl.** **D6/495**

(58) **Field of Search** D6/436, 437-439,
D6/445-447, 470, 495, 509; 312/114, 117,
204, 224

(56) **References Cited**

U.S. PATENT DOCUMENTS

- D51,451 S * 11/1917 Andrews D6/439
- D152,896 S * 3/1949 Lubberts et al. D6/495
- D248,911 S * 8/1978 Handel D6/438
- D378,031 S * 2/1997 Keller et al. D6/445

OTHER PUBLICATIONS

Ethan Allen, Legacy Dresser, p. 321, 1998 Catalog.*

* cited by examiner

Primary Examiner—Cathron C. Brooks

(74) *Attorney, Agent, or Firm*—Harness, Dickey & Pierce,
P.L.C.

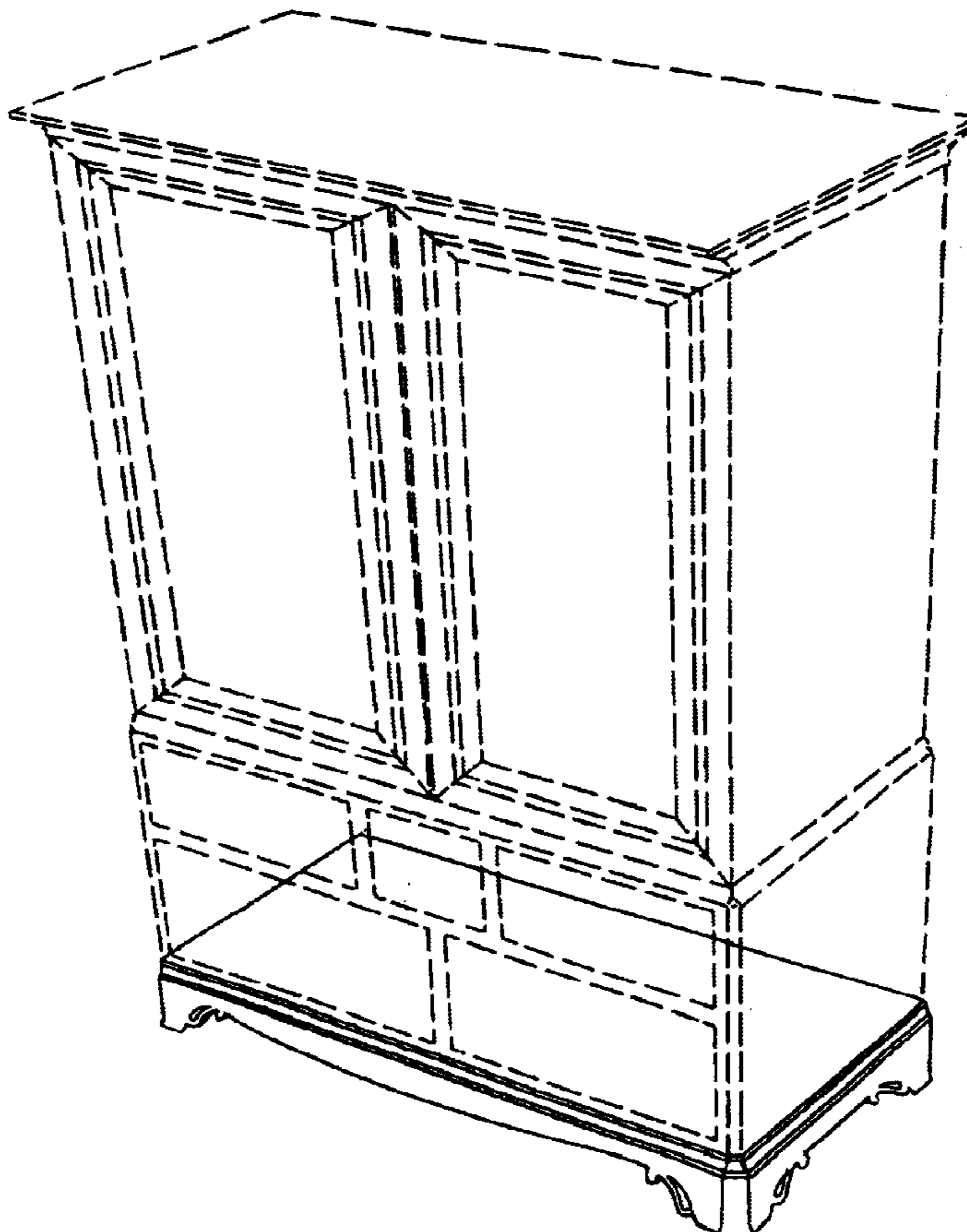
(57) **CLAIM**

The ornamental design for the furniture base, as shown and described.

DESCRIPTION

FIG. 1 is a perspective view of an furniture base in accordance with the present invention;
 FIG. 2 is a front view of the furniture base, the back of the furniture base is not illustrated as it forms no part of the present invention; and,
 FIG. 3 is a right side view of the furniture base, the left side view being a mirror image thereof.
 The broken line showing of a furniture top is for illustrative purposes only and forms no part of the claimed design.

1 Claim, 3 Drawing Sheets



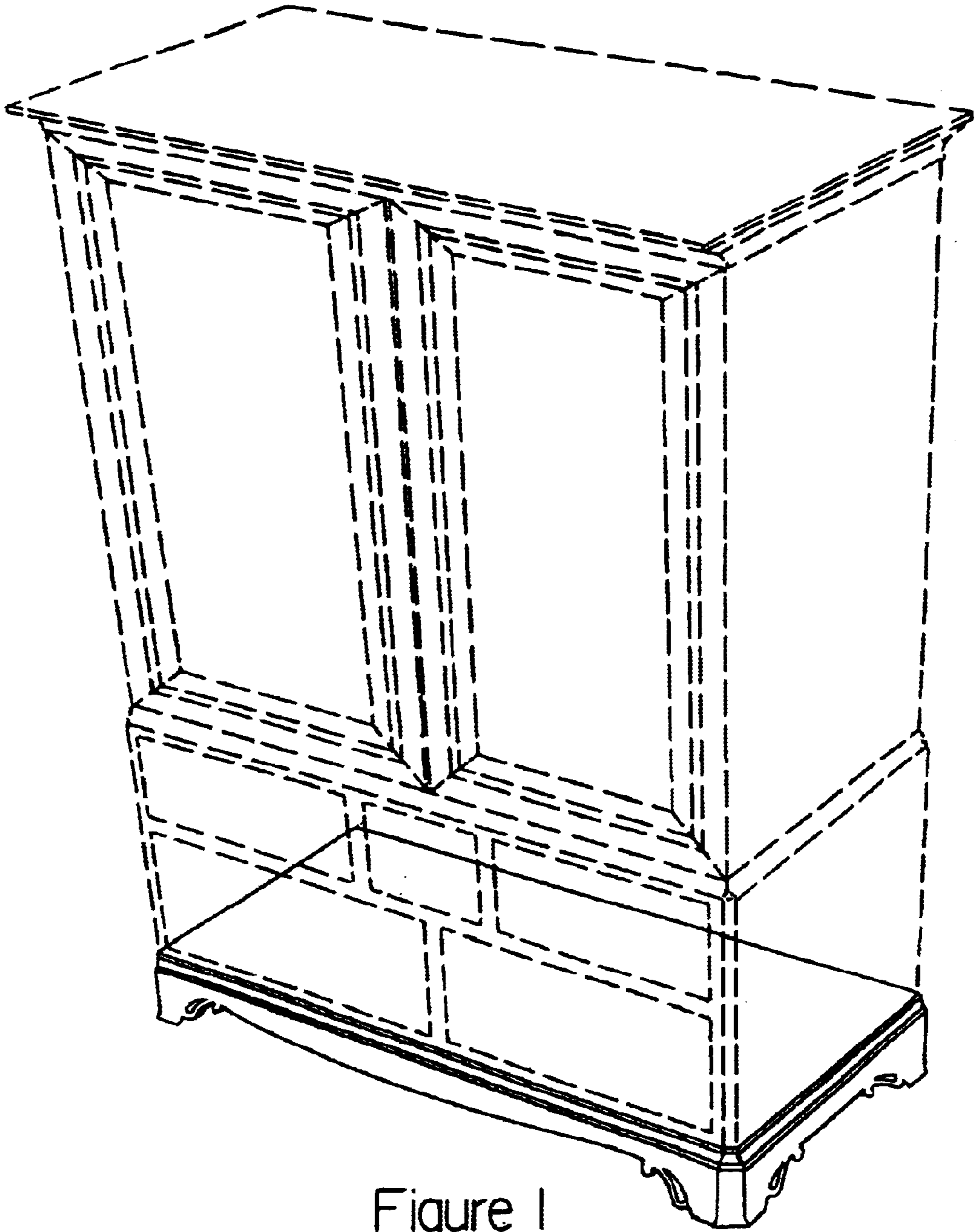


Figure 1

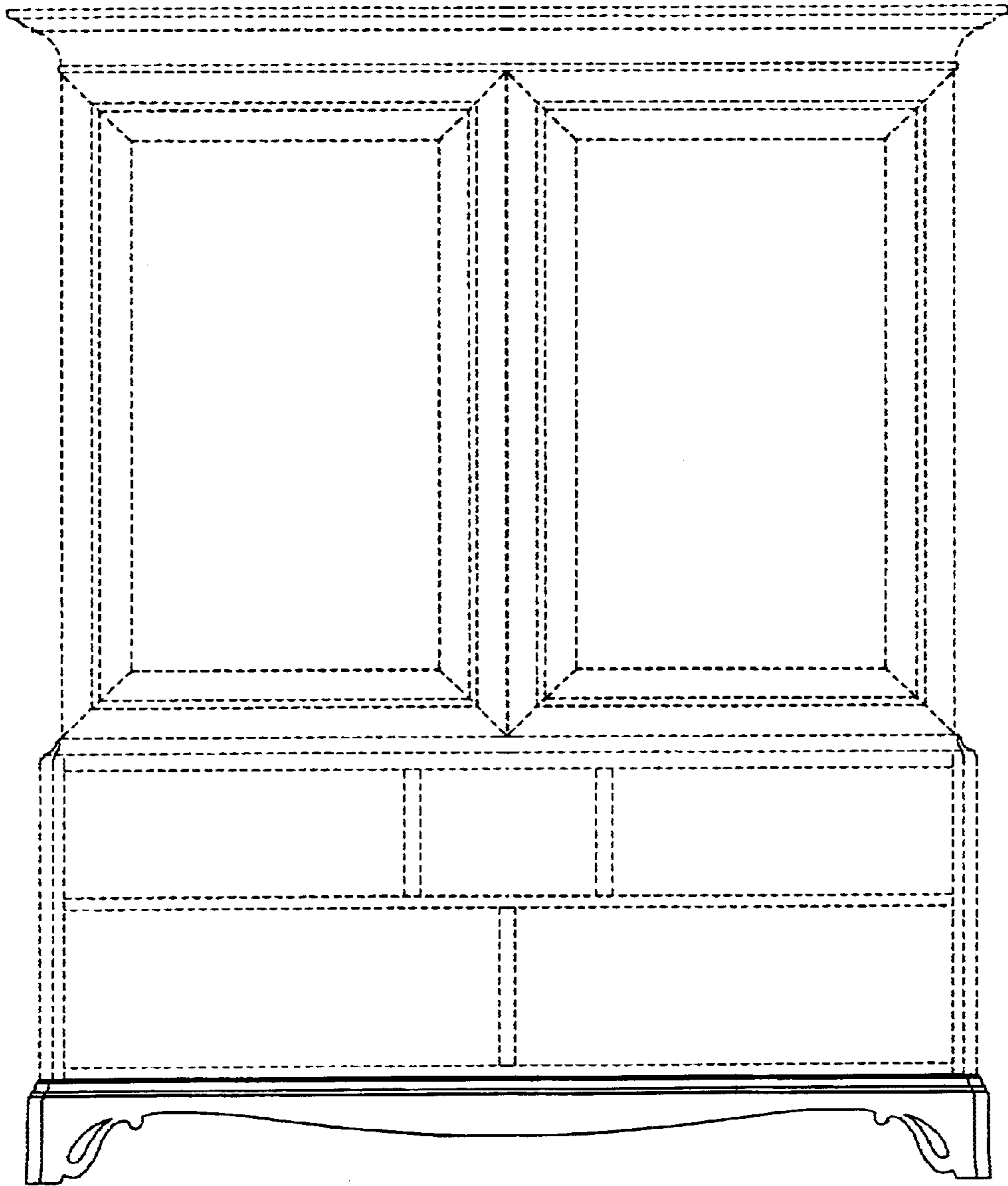


Figure 2

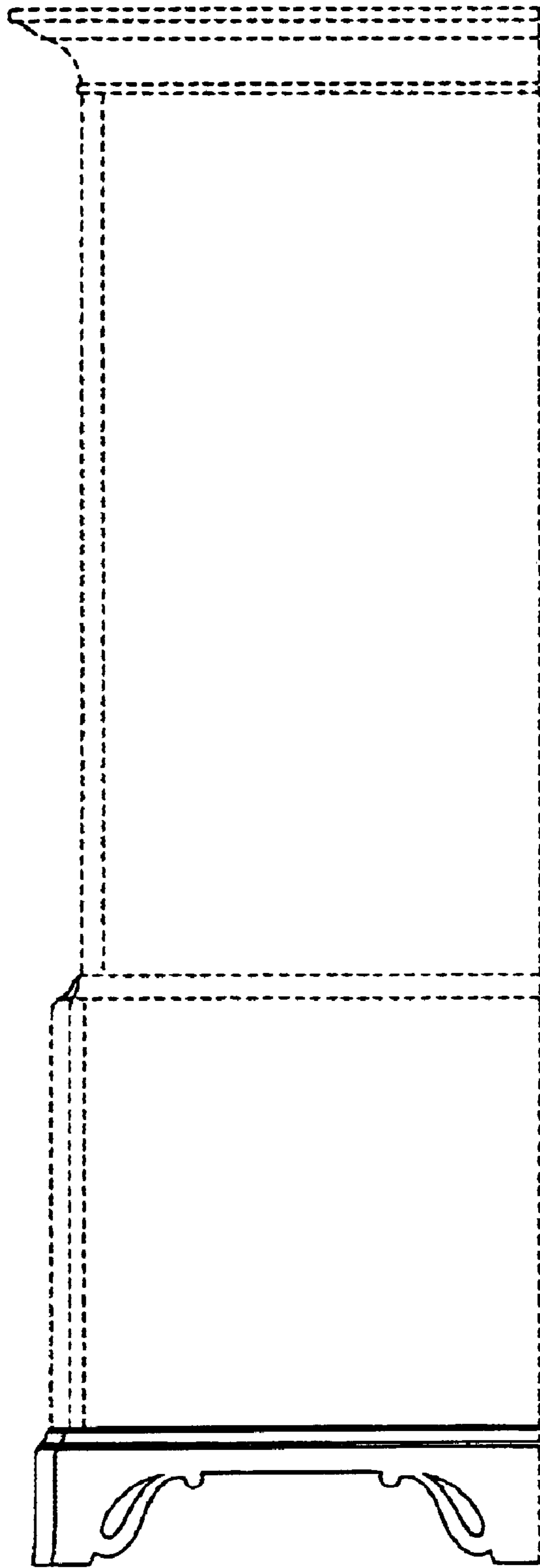


Figure 3