



US00D491391S

(12) **United States Design Patent**  
**Paus**

(10) **Patent No.:** **US D491,391 S**

(45) **Date of Patent:** **\*\* Jun. 15, 2004**

(54) **DOVETAIL FURNITURE FOOT**

(75) Inventor: **Michael J. Paus**, High Point, NC (US)

(73) Assignee: **Pennsylvania House, Inc.**, Greensboro, NC (US)

(\*\*) Term: **14 Years**

(21) Appl. No.: **29/175,981**

(22) Filed: **Feb. 14, 2003**

(51) **LOC (7) Cl.** ..... **06-06**

(52) **U.S. Cl.** ..... **D6/495**

(58) **Field of Search** ..... D6/432-448, 470,  
D6/495, 509; 312/107, 114, 117, 198, 204,  
224, 257.1, 278, 279

(56) **References Cited**

**U.S. PATENT DOCUMENTS**

D109,987 S	*	6/1938	Hickerson	.....	D6/446
D120,861 S	*	6/1940	Garner	.....	D6/425
D295,244 S	*	4/1988	Bauman	.....	D6/438
D319,153 S	*	8/1991	Powell	.....	D6/440

**OTHER PUBLICATIONS**

Building a Houseful of Furniture, Watts, 1983, through-dovetailed corner, p. 20.\*

79 Furniture Projects for Every Room, Blandford, 1986, Fig. 7-10 C, framing detail, p. 151.\*

\* cited by examiner

*Primary Examiner*—Cathron C. Brooks

(74) *Attorney, Agent, or Firm*—Todd W. Galinski; Kilpatrick Stockton LLP

(57) **CLAIM**

The ornamental design for a dovetail furniture foot, as shown and described.

**DESCRIPTION**

FIG. 1 is a front view of the dovetail furniture foot of the present invention.

FIG. 2 is a side front view of the dovetail furniture foot of the present invention.

FIG. 3 is a top view of the present invention.

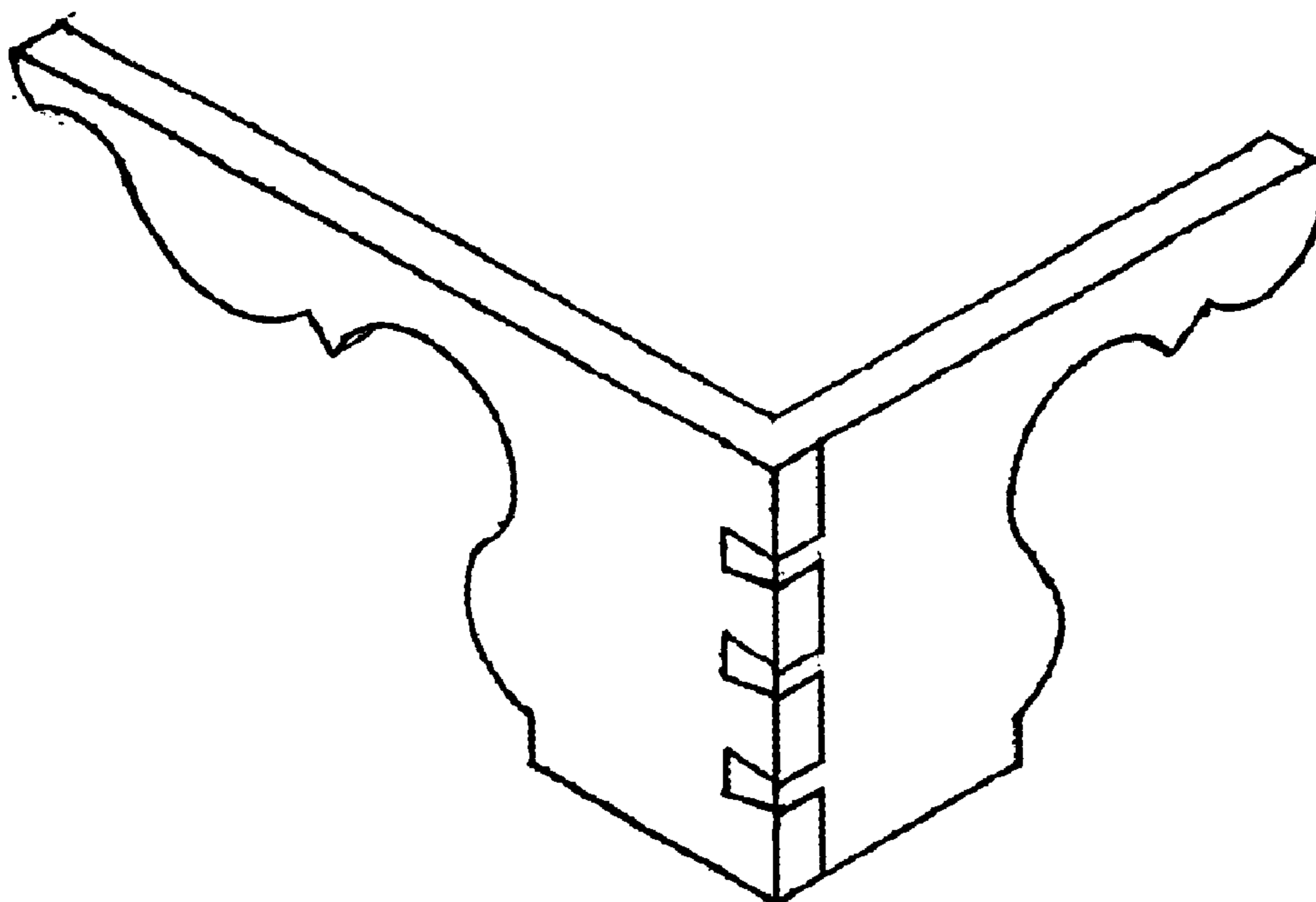
FIG. 4 is a perspective view of the present invention.

FIG. 5 is a front view of a furniture piece having thereon the dovetail foot. It is within the scope of this invention to provide the dovetail furniture foot on any furniture member including beds and bedposts, dressers, cabinets, chairs, tables, and other such furniture; and,

FIG. 6 is a side view of the furniture piece of FIG. 5 having thereon the dovetail foot.

The broken lines shown are for illustrative purposes only and form no part of the claimed design.

**1 Claim, 2 Drawing Sheets**



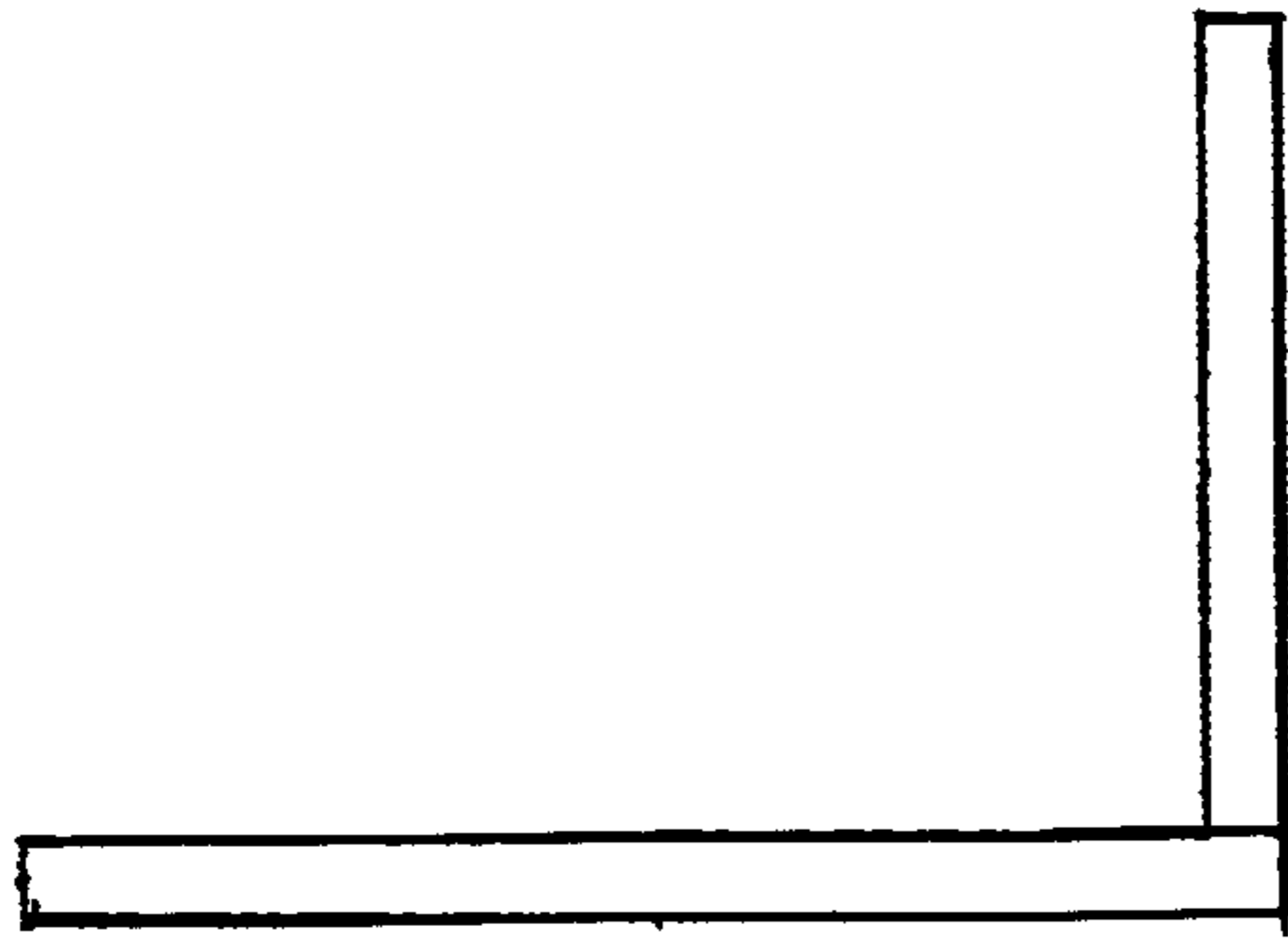


FIG. 3



FIG. 2

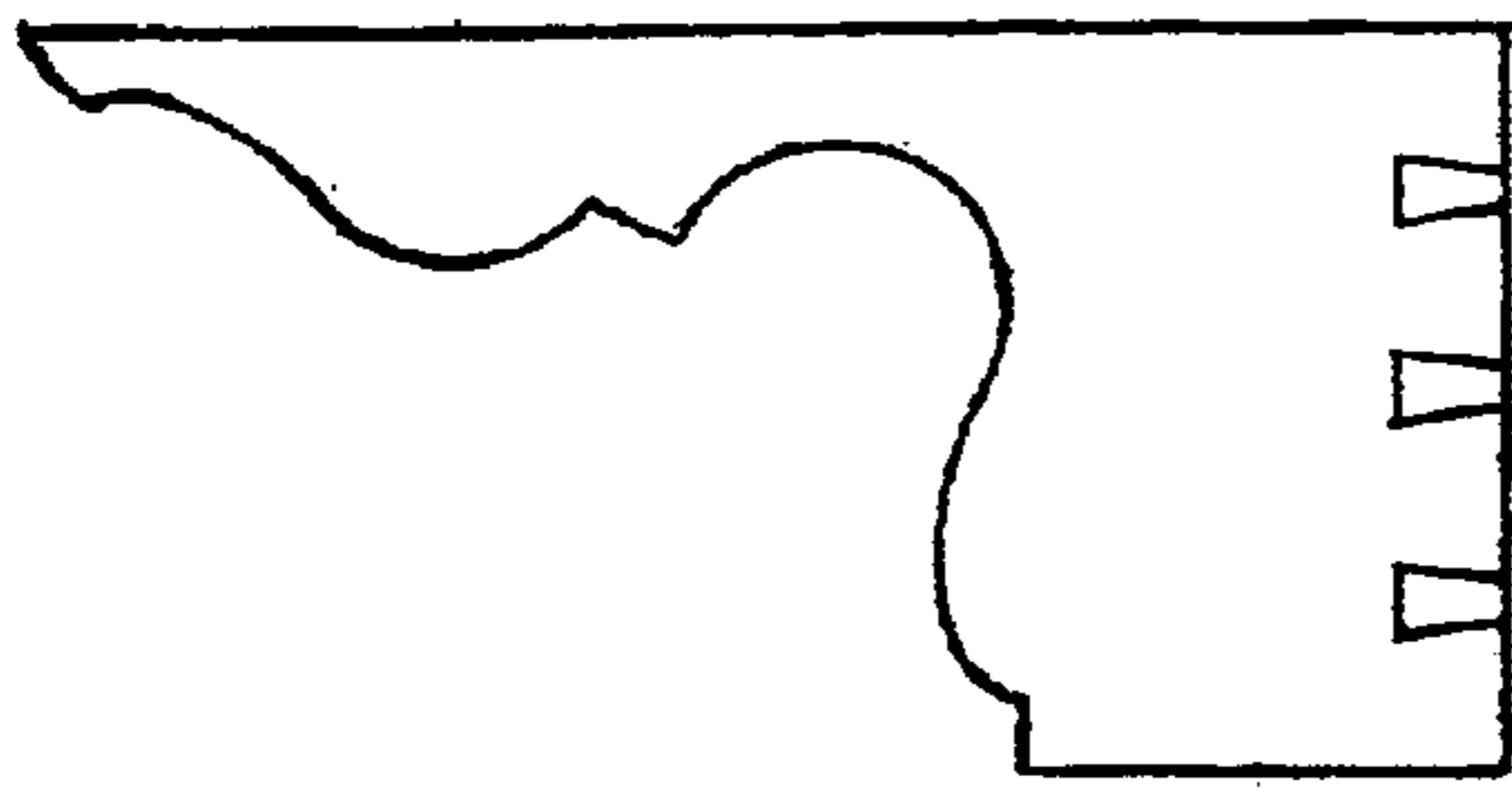


FIG. 1

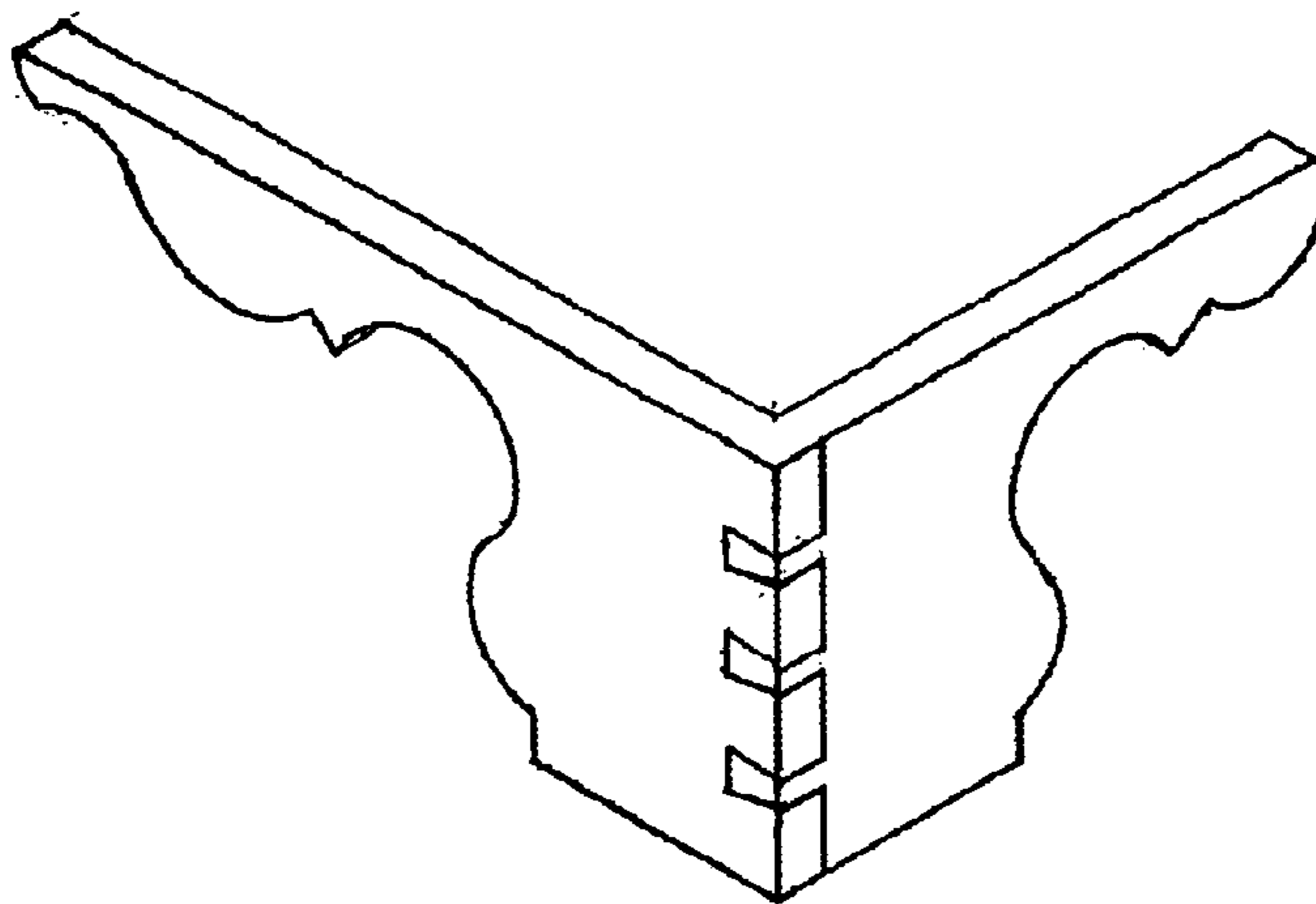


FIG. 4

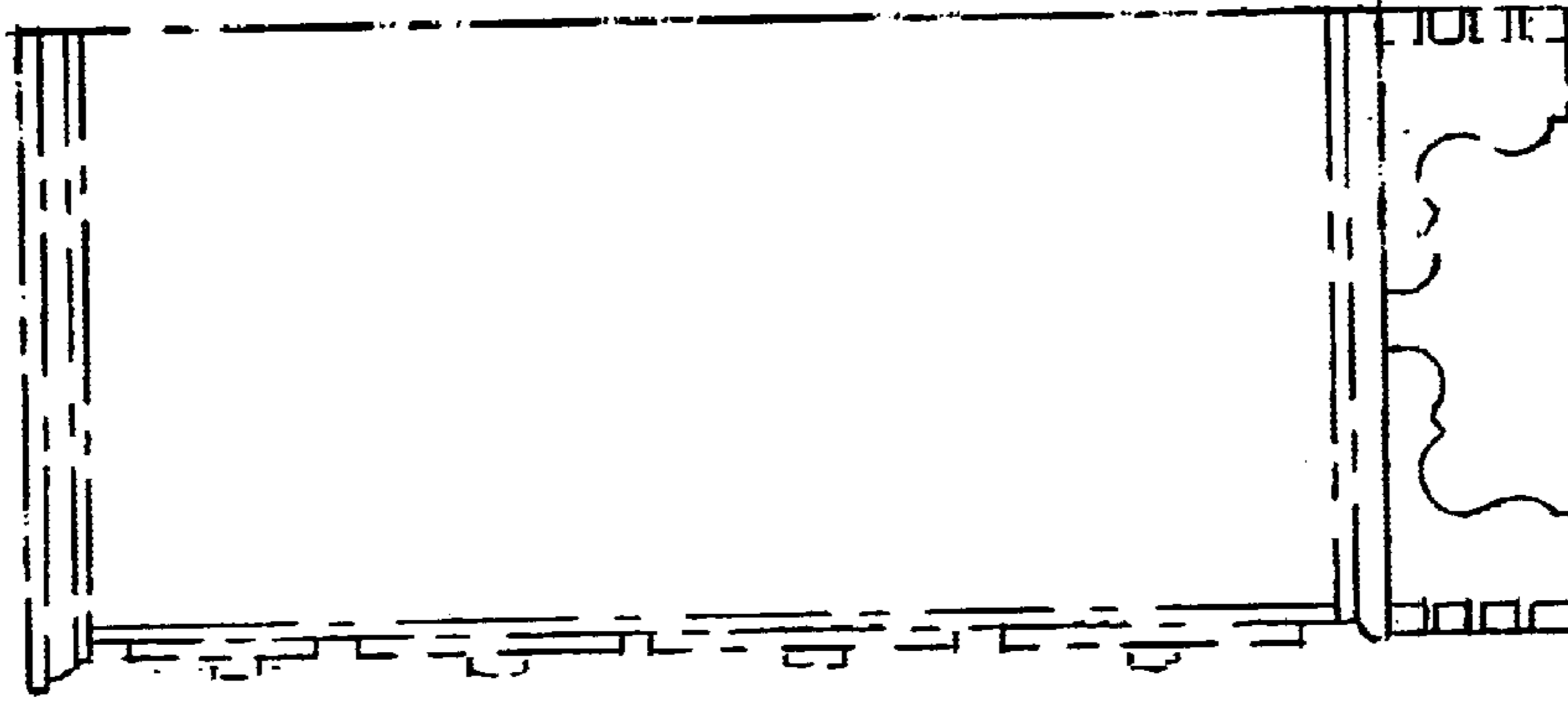


FIG. 6

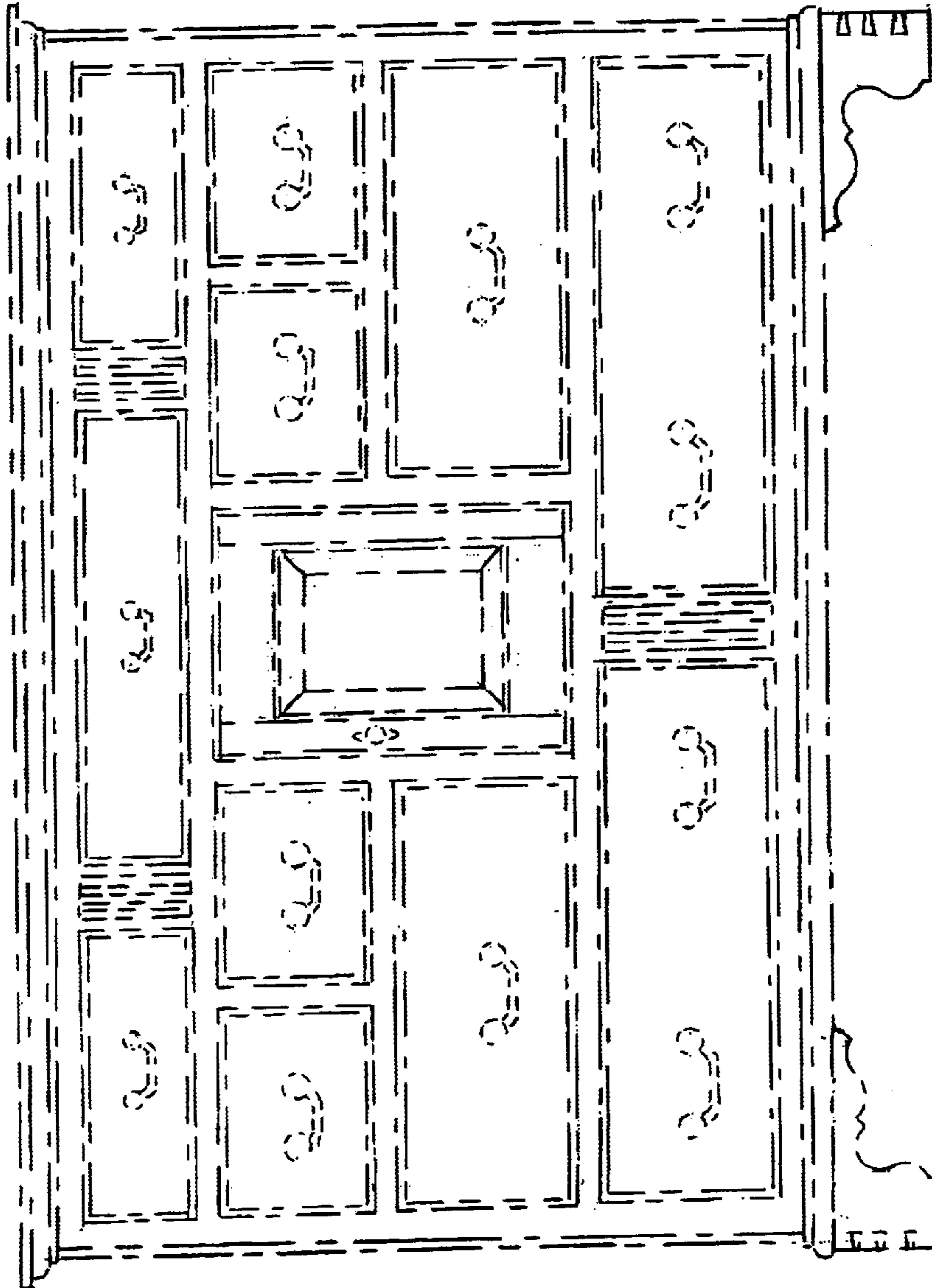


FIG. 5