



US00D491388S

(12) **United States Design Patent**
Muller

(10) **Patent No.:** **US D491,388 S**

(45) **Date of Patent:** **** Jun. 15, 2004**

(54) **COCKTAIL TABLE**

(75) **Inventor:** **Carl Muller**, Huntington Beach, CA (US)

(73) **Assignee:** **Elite Manufacturing Corporation**, Santa Fe Springs, CA (US)

(**) **Term:** **14 Years**

(21) **Appl. No.:** **29/178,126**

(22) **Filed:** **Mar. 21, 2003**

(51) **LOC (7) Cl.** **06-03**

(52) **U.S. Cl.** **D6/482**

(58) **Field of Search** D6/480-489, 495, D6/511; 108/153.1, 155, 156, 157.1, 161; 248/188, 188.1, 188.8

(56) **References Cited**

U.S. PATENT DOCUMENTS

D197,722 S * 3/1964 Crawford D6/482
D382,422 S * 8/1997 Muller D6/477

D389,674 S * 1/1998 Muller D6/482
D408,652 S * 4/1999 Muller D6/436
D433,254 S * 11/2000 Muller D6/482
D470,345 S * 2/2003 Muller D6/482

* cited by examiner

Primary Examiner—Janice E. Seeger

(74) *Attorney, Agent, or Firm*—George W. Finch

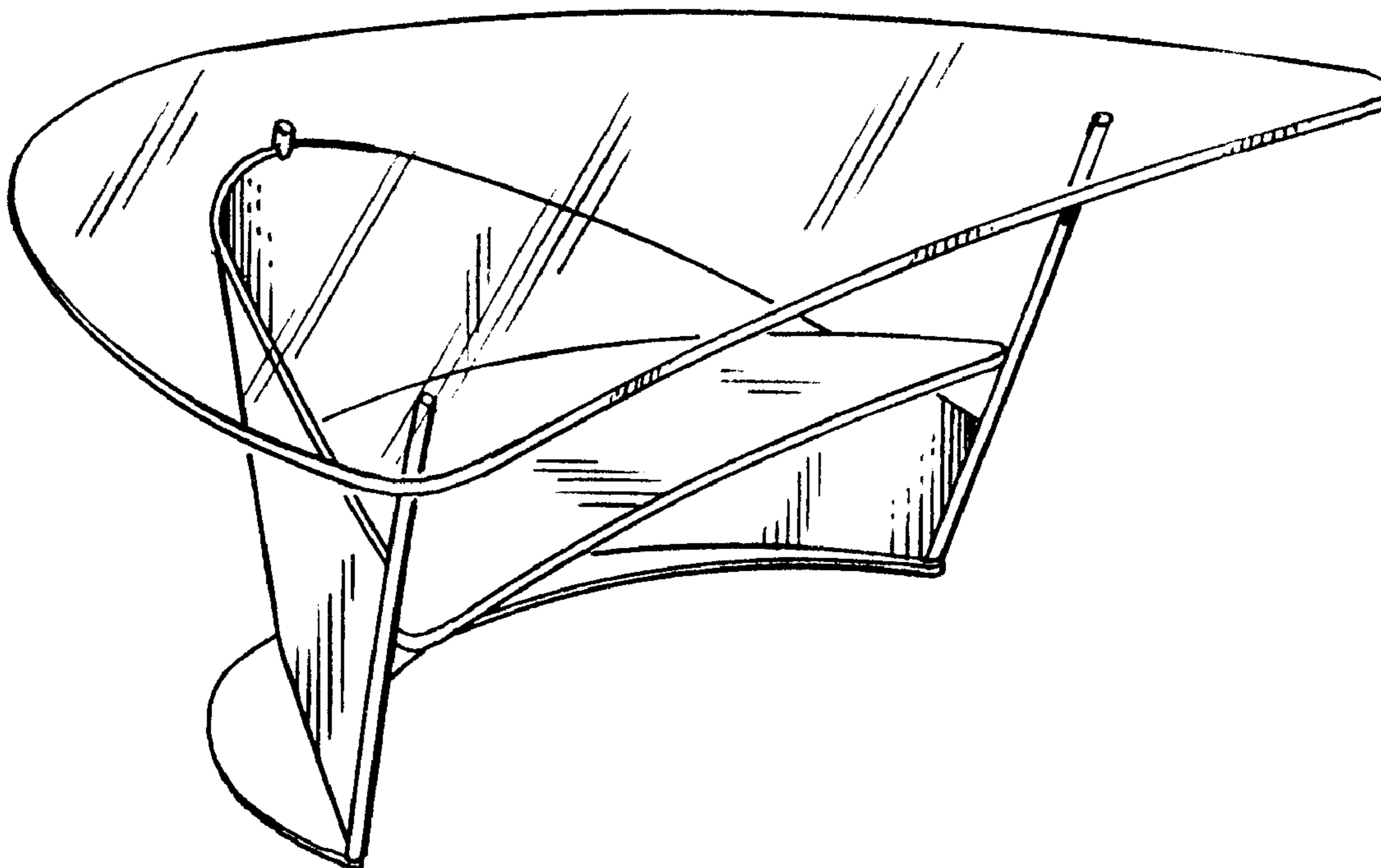
(57) **CLAIM**

The ornamental design for a cocktail table, as shown.

DESCRIPTION

FIG. 1 is a perspective view showing the front side, right side, and top of the ornamental design; FIG. 2 is a back elevational view of the same; FIG. 3 is a front elevational view of the same; FIG. 4 is a top plan view of the same; FIG. 5 is an underside view of the same; FIG. 6 is a left side elevational view of the same; and, FIG. 7 is a right side elevational view of the same.

1 Claim, 2 Drawing Sheets



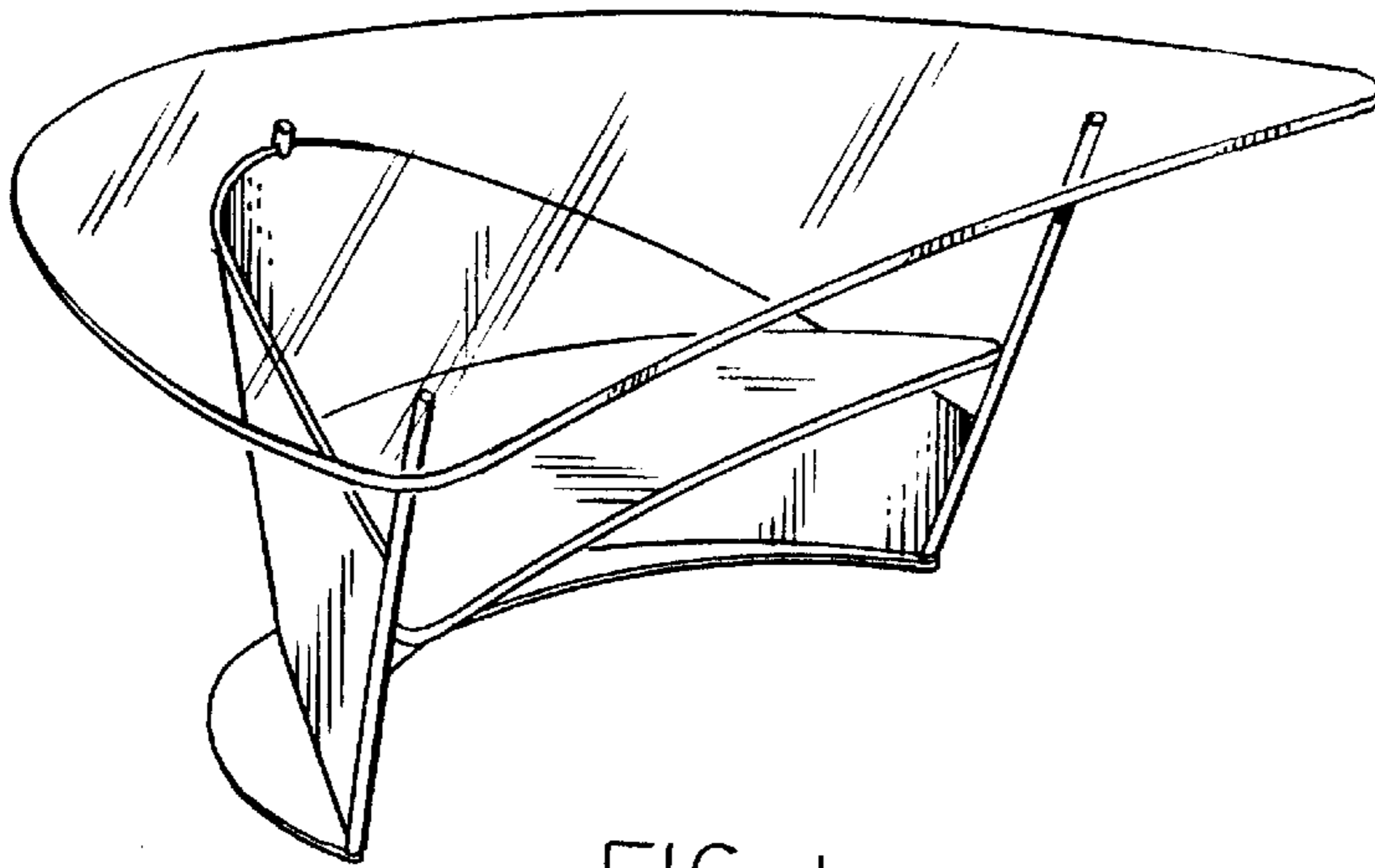


FIG. 1

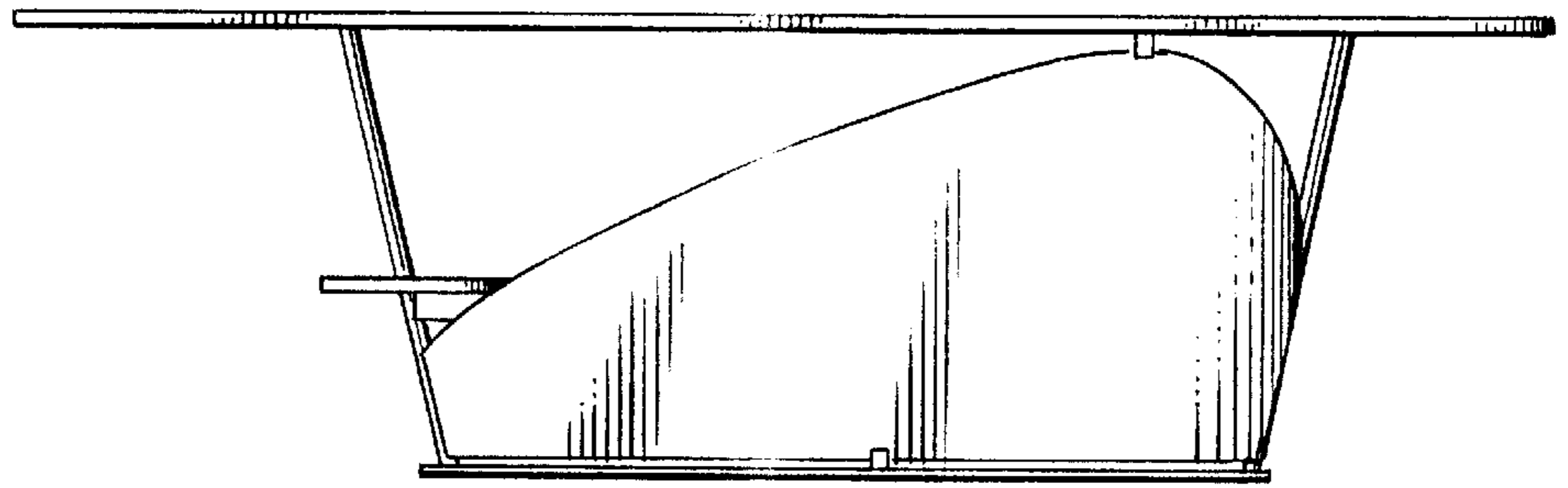


FIG. 2

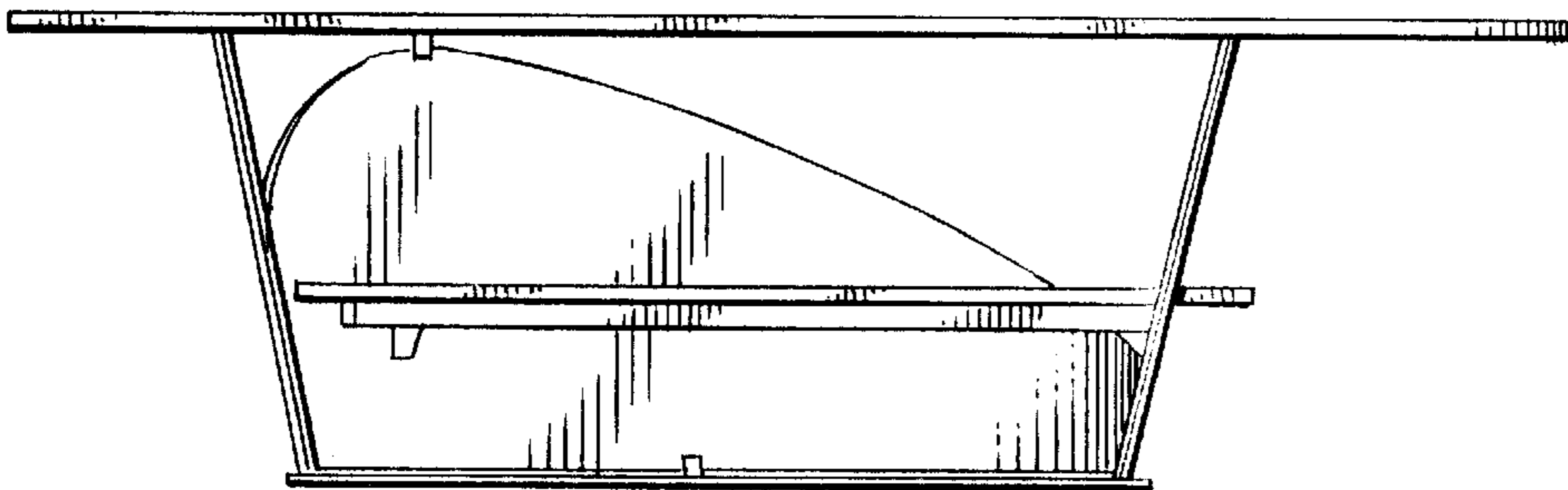


FIG. 3

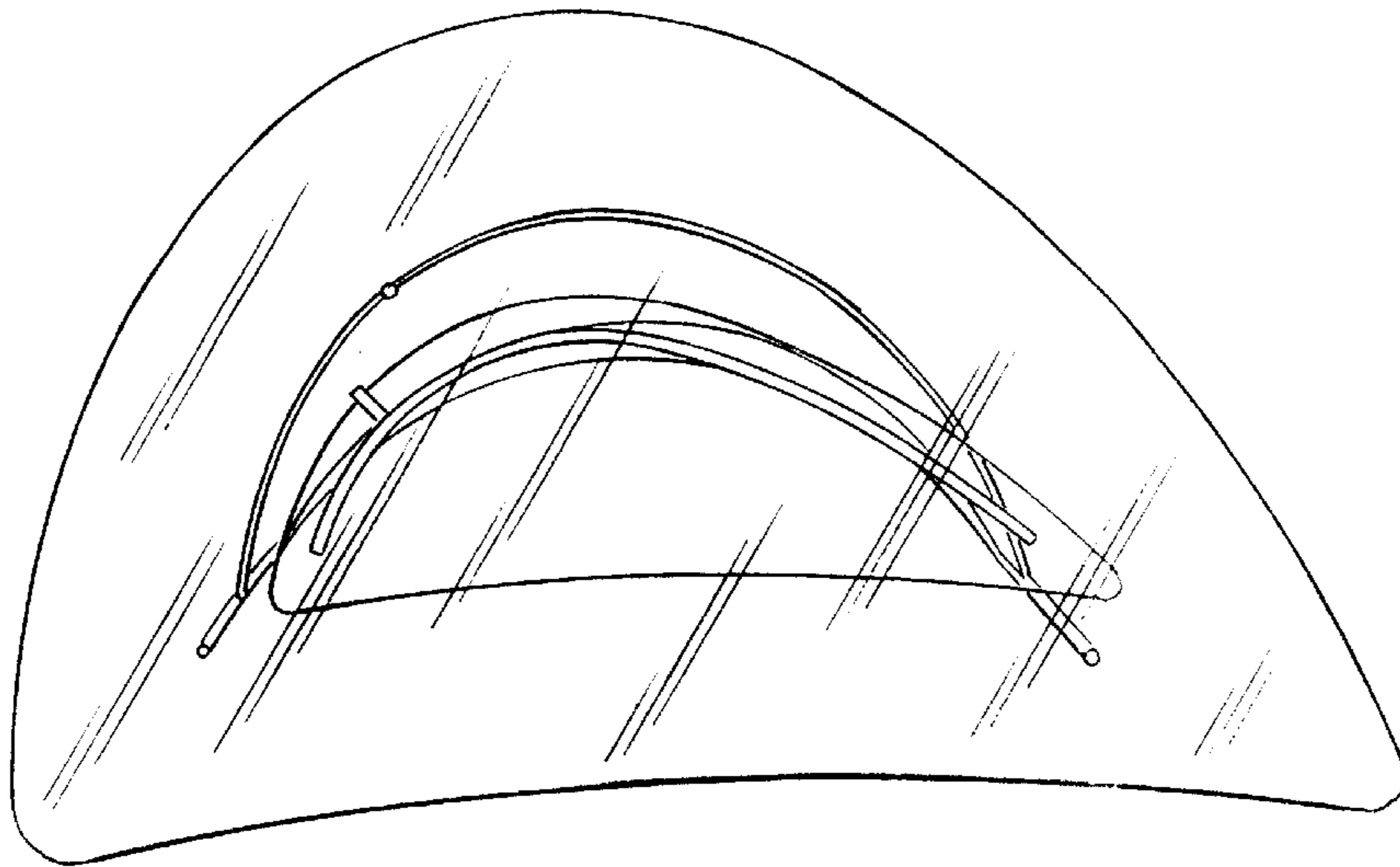


FIG. 4

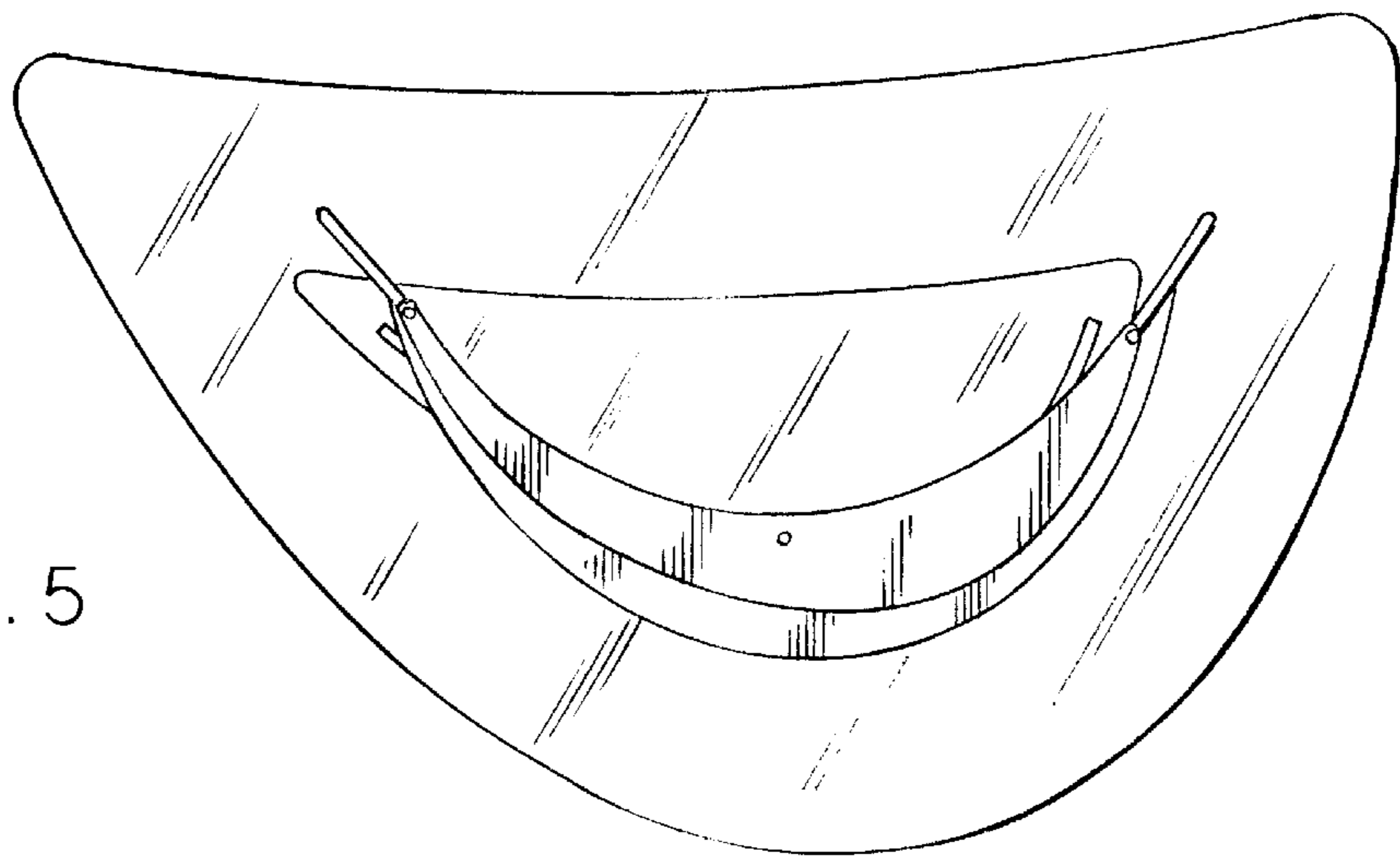


FIG. 5

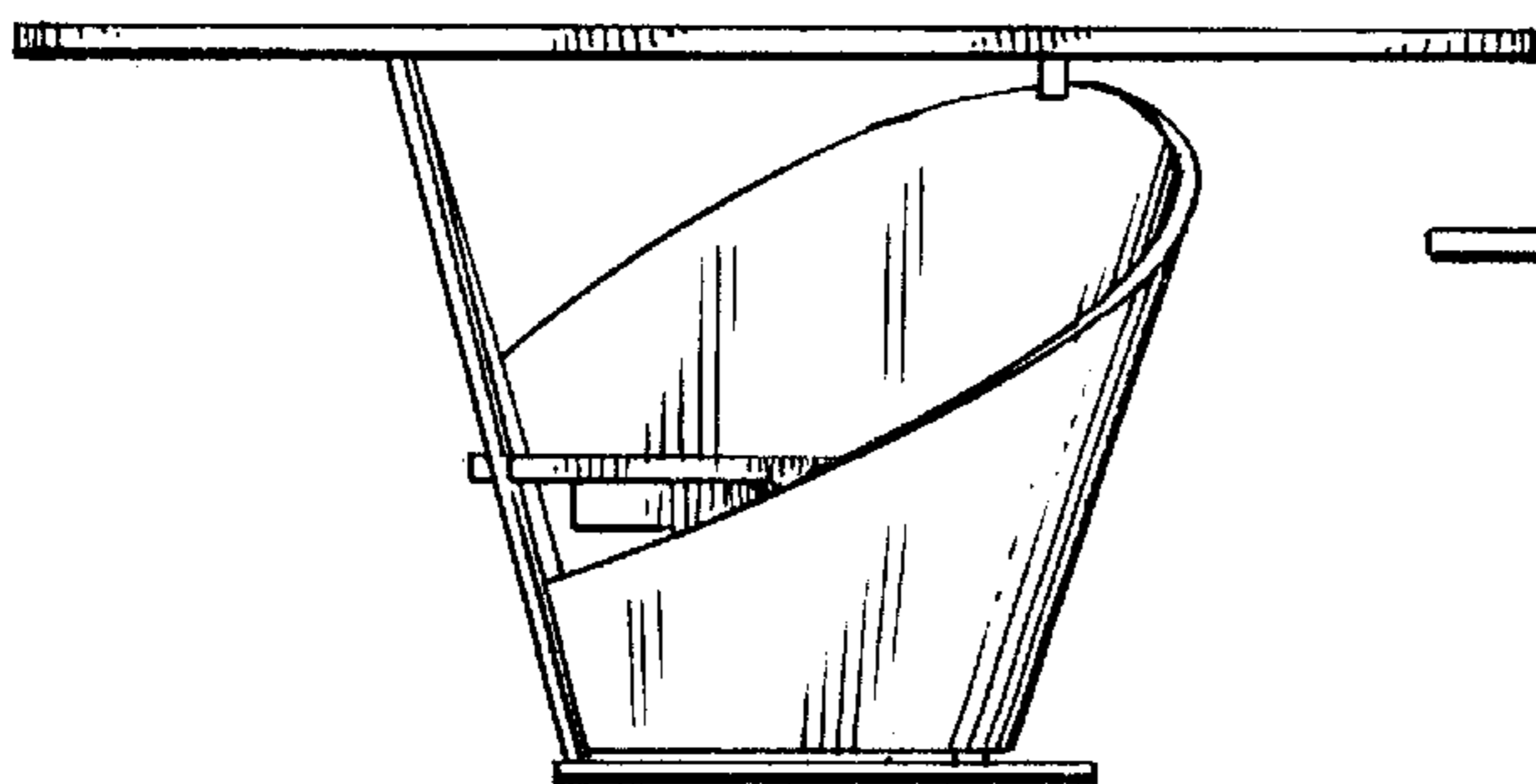


FIG. 6

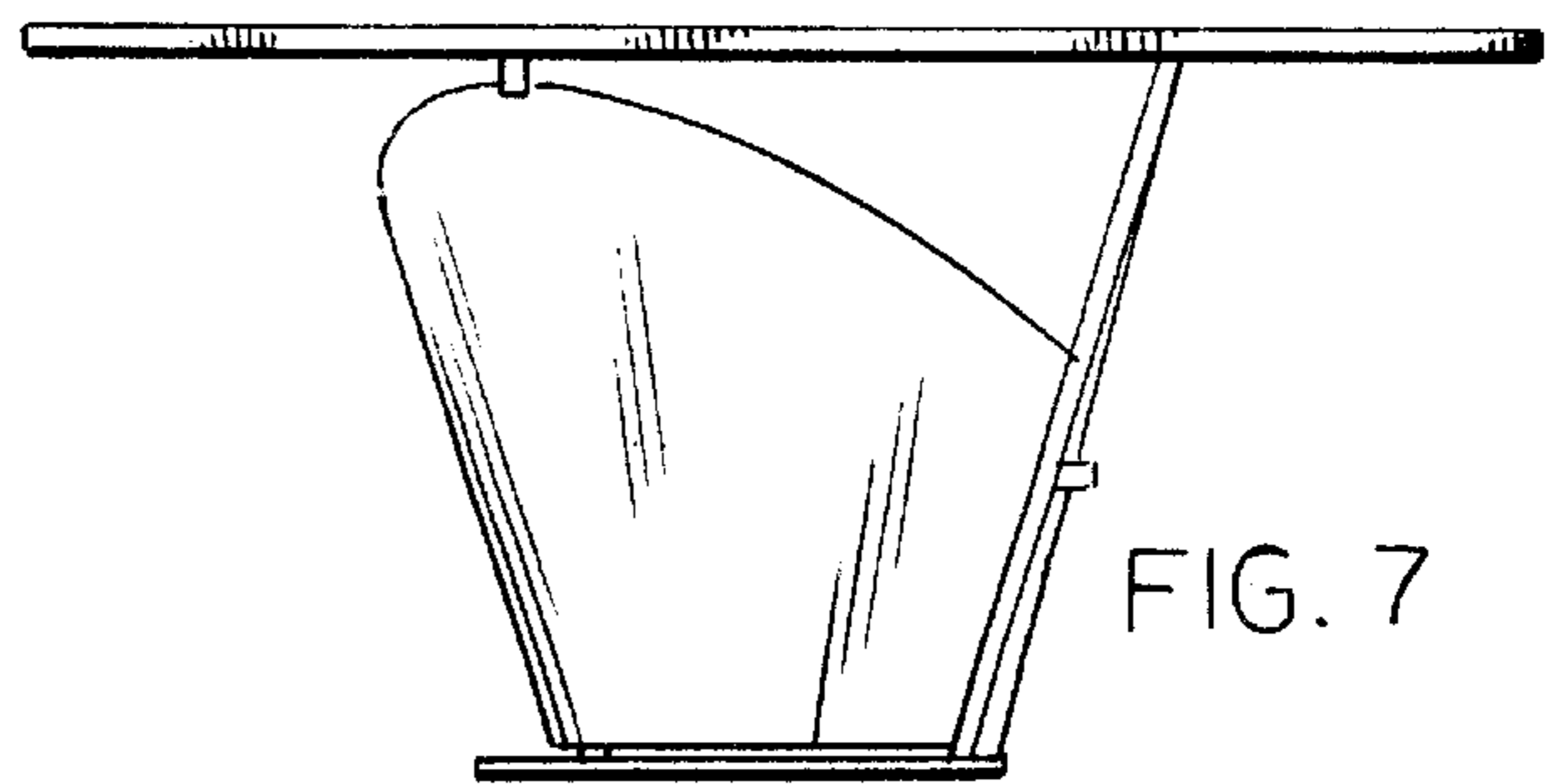


FIG. 7