



US00D491387S

(12) **United States Design Patent**
Muller

(10) **Patent No.:** **US D491,387 S**

(45) **Date of Patent:** **** Jun. 15, 2004**

(54) **COCKTAIL TABLE**

D252,902 S * 9/1979 Ungaro D6/484
D279,742 S * 7/1985 DiPersia D6/484

(75) Inventor: **Carl Muller**, Huntington Beach, CA
(US)

* cited by examiner

(73) Assignee: **Elite Manufacturing Corp.**, Santa Fe
Springs, CA (US)

Primary Examiner—Janice E. Seeger
(74) *Attorney, Agent, or Firm*—George W. Finch

(**) Term: **14 Years**

(57) **CLAIM**

The ornamental design for a cocktail table, as shown.

(21) Appl. No.: **29/177,429**

DESCRIPTION

(22) Filed: **Mar. 14, 2003**

(51) **LOC (7) Cl.** **06-03**

(52) **U.S. Cl.** **D6/480**

(58) **Field of Search** D6/480–486, 511,
D6/495, 470, 436, 441; 108/150, 153.1,
155, 156, 157.1, 161; 248/188, 188.1, 188.8

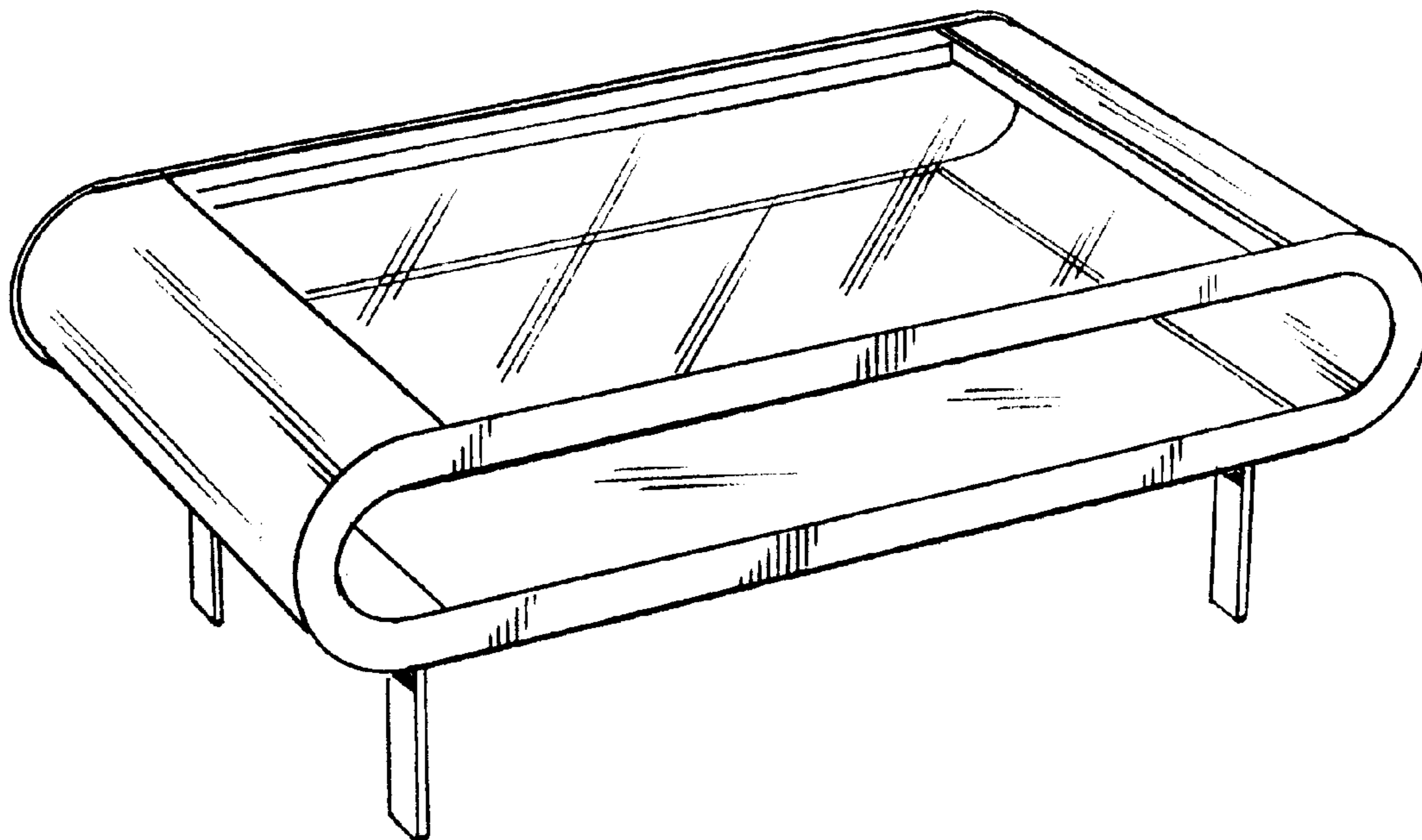
FIG. 1 is a perspective view showing the front side, right side, and top of the ornamental design;
FIG. 2 is a front elevational view of the same;
FIG. 3 is a back view of the same;
FIG. 4 is an underside view of the same;
FIG. 5 is a top plan view of the same;
FIG. 6 is a right side elevational view of the same; and,
FIG. 7 is a left side elevational view of the same.

(56) **References Cited**

U.S. PATENT DOCUMENTS

D140,243 S * 2/1945 Wemyss D6/470

1 Claim, 2 Drawing Sheets



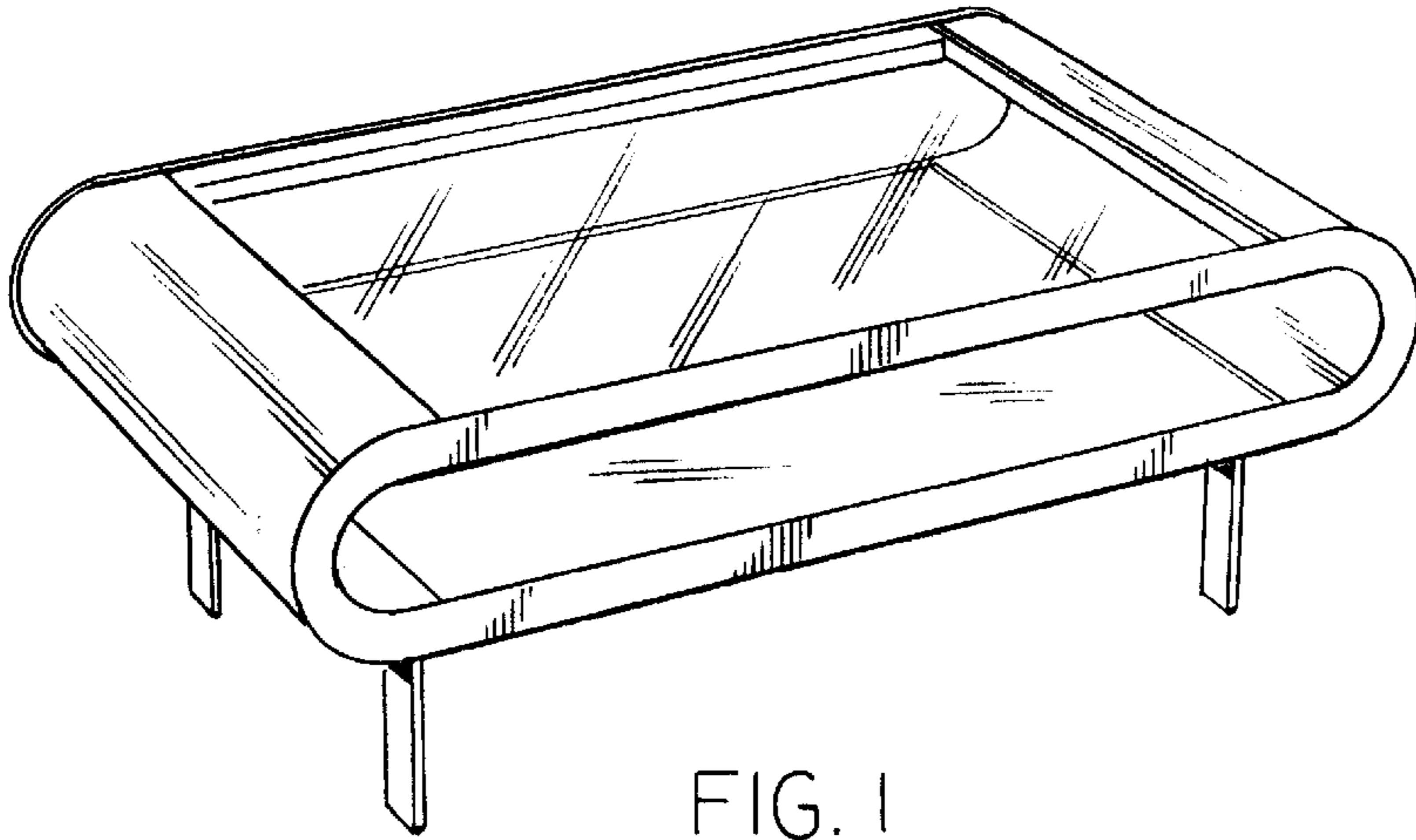


FIG. 1

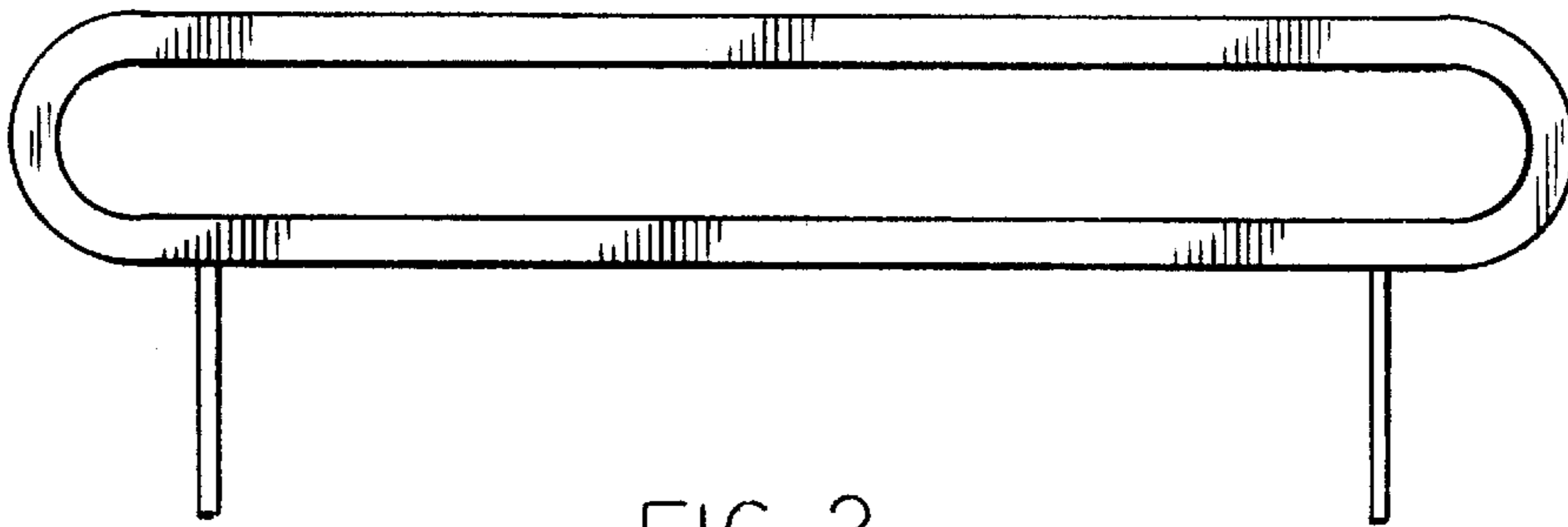


FIG. 2

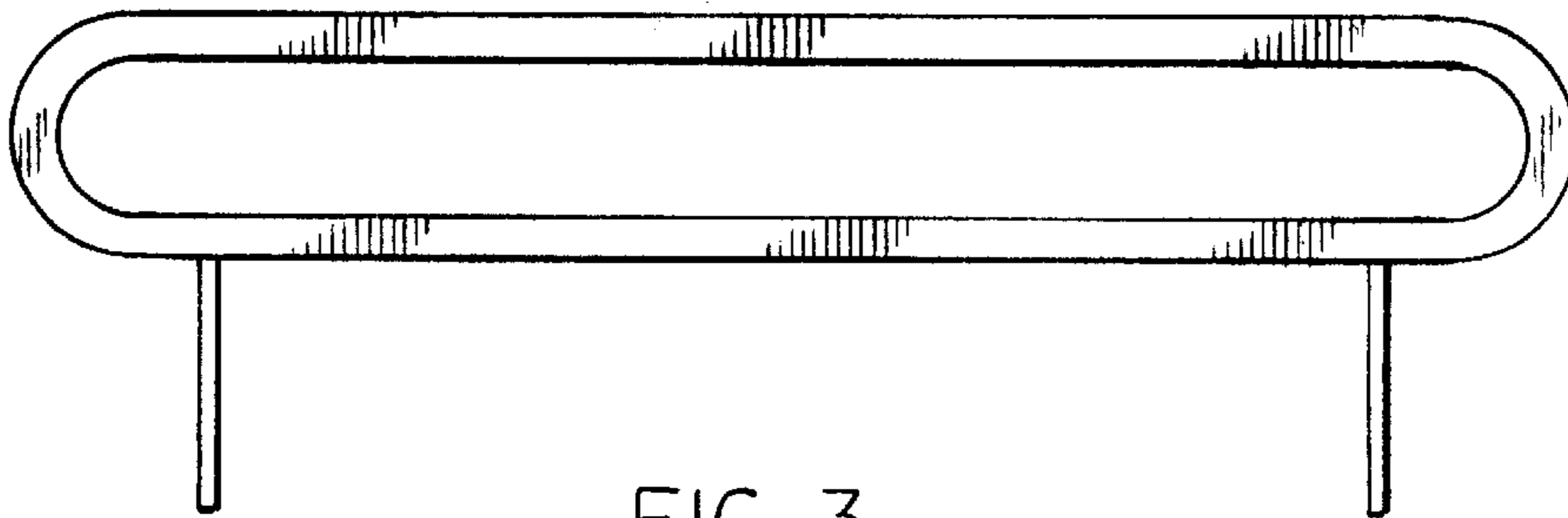


FIG. 3

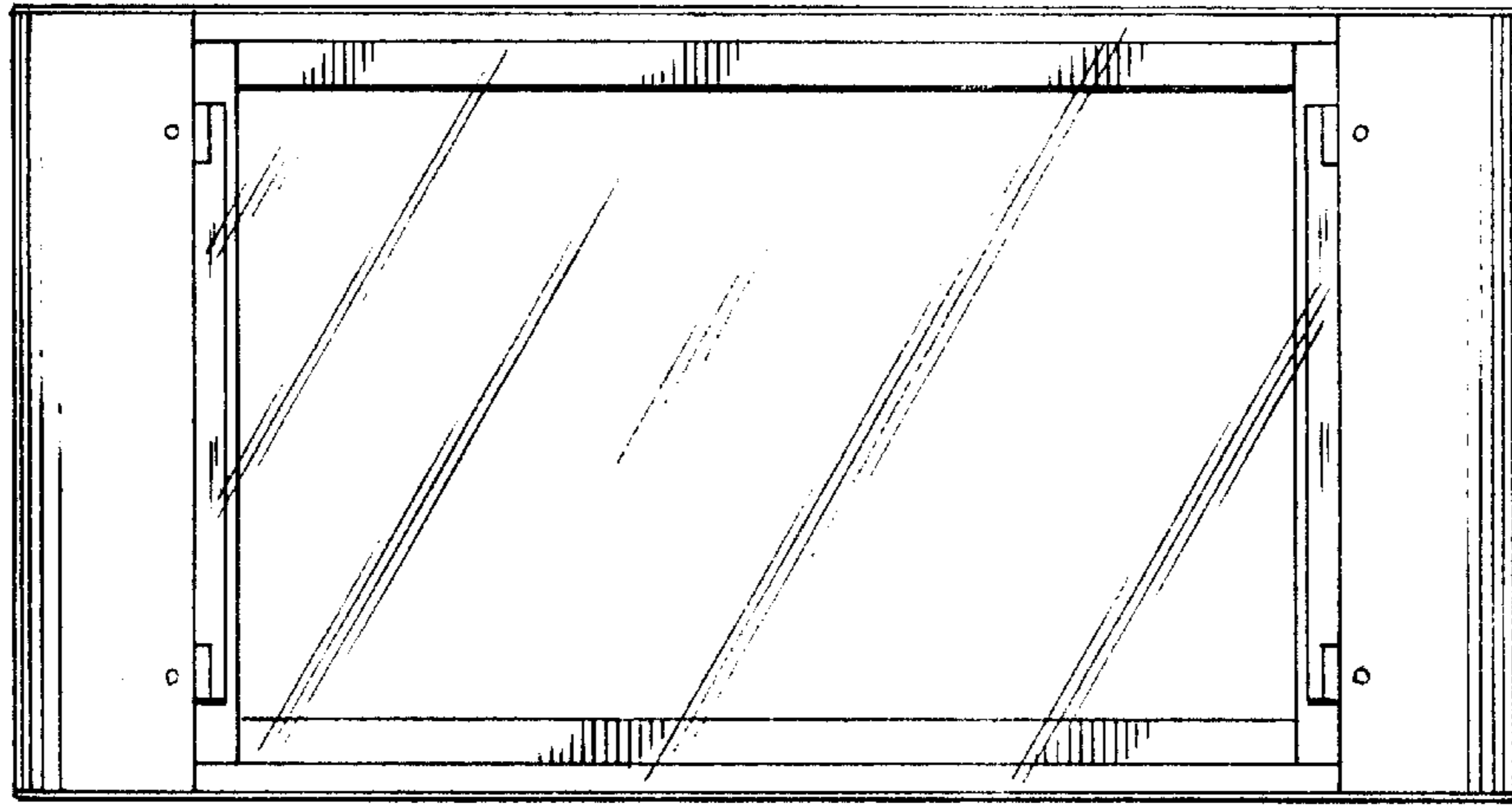


FIG. 4

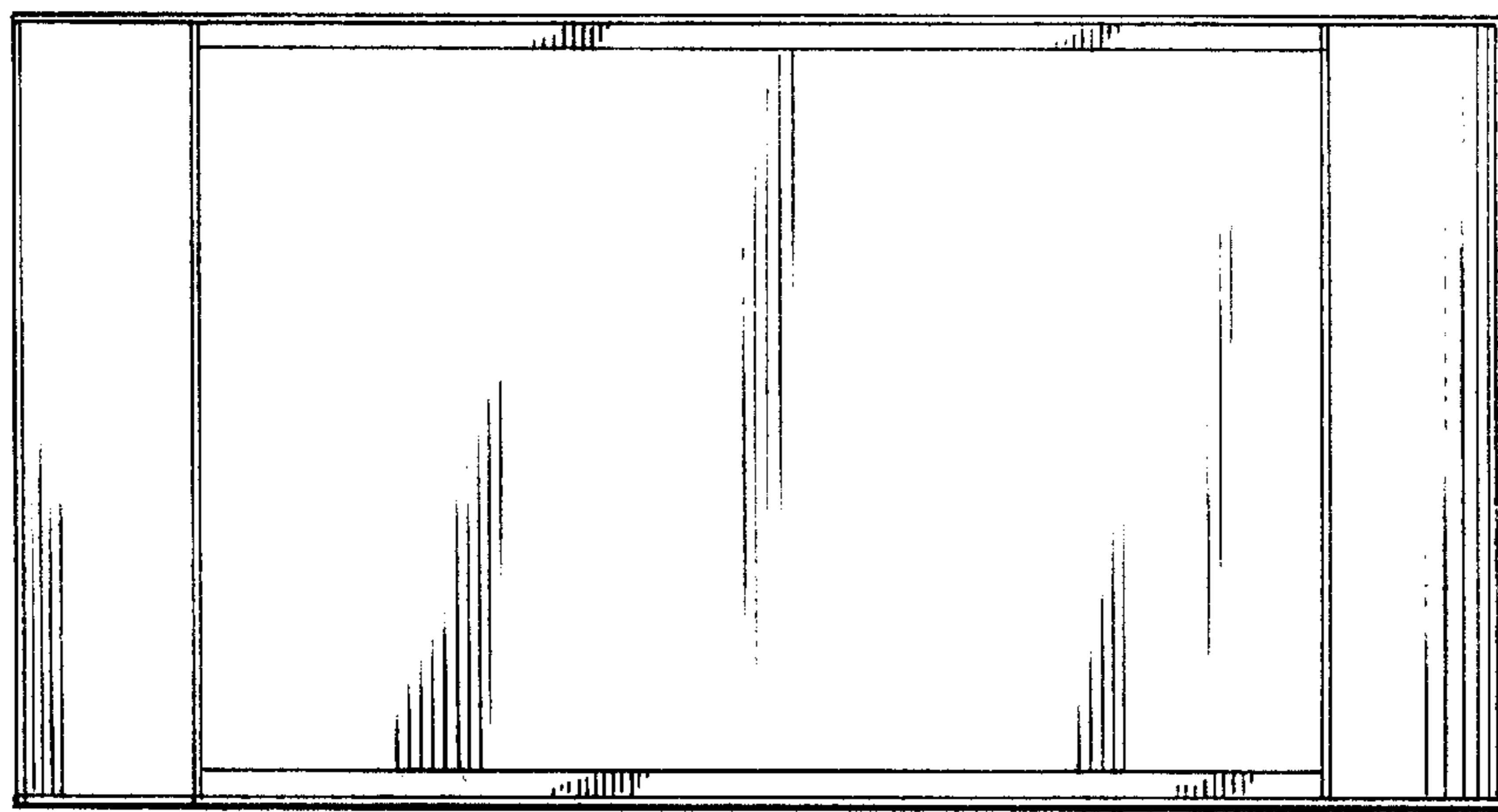


FIG. 5

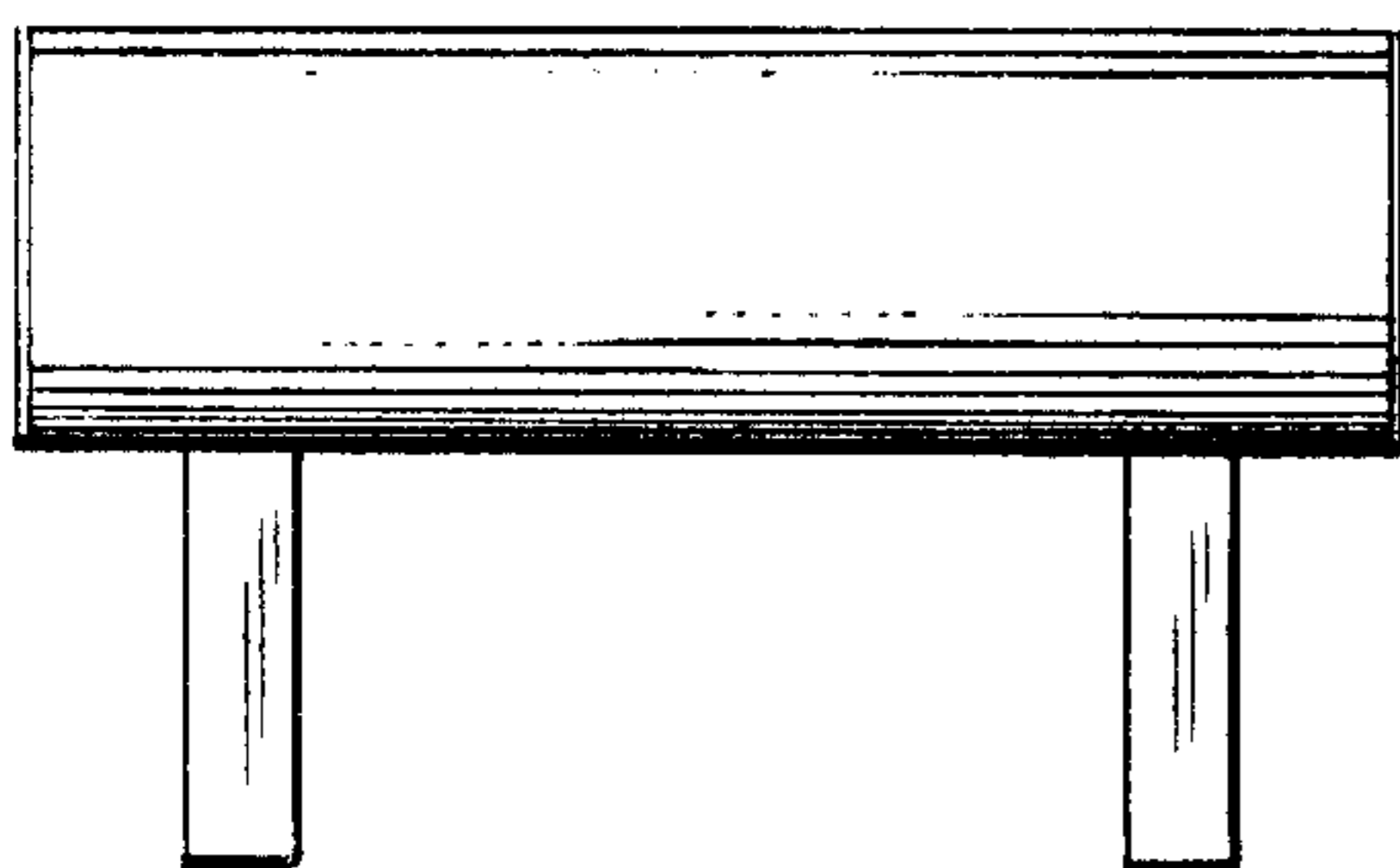


FIG. 6

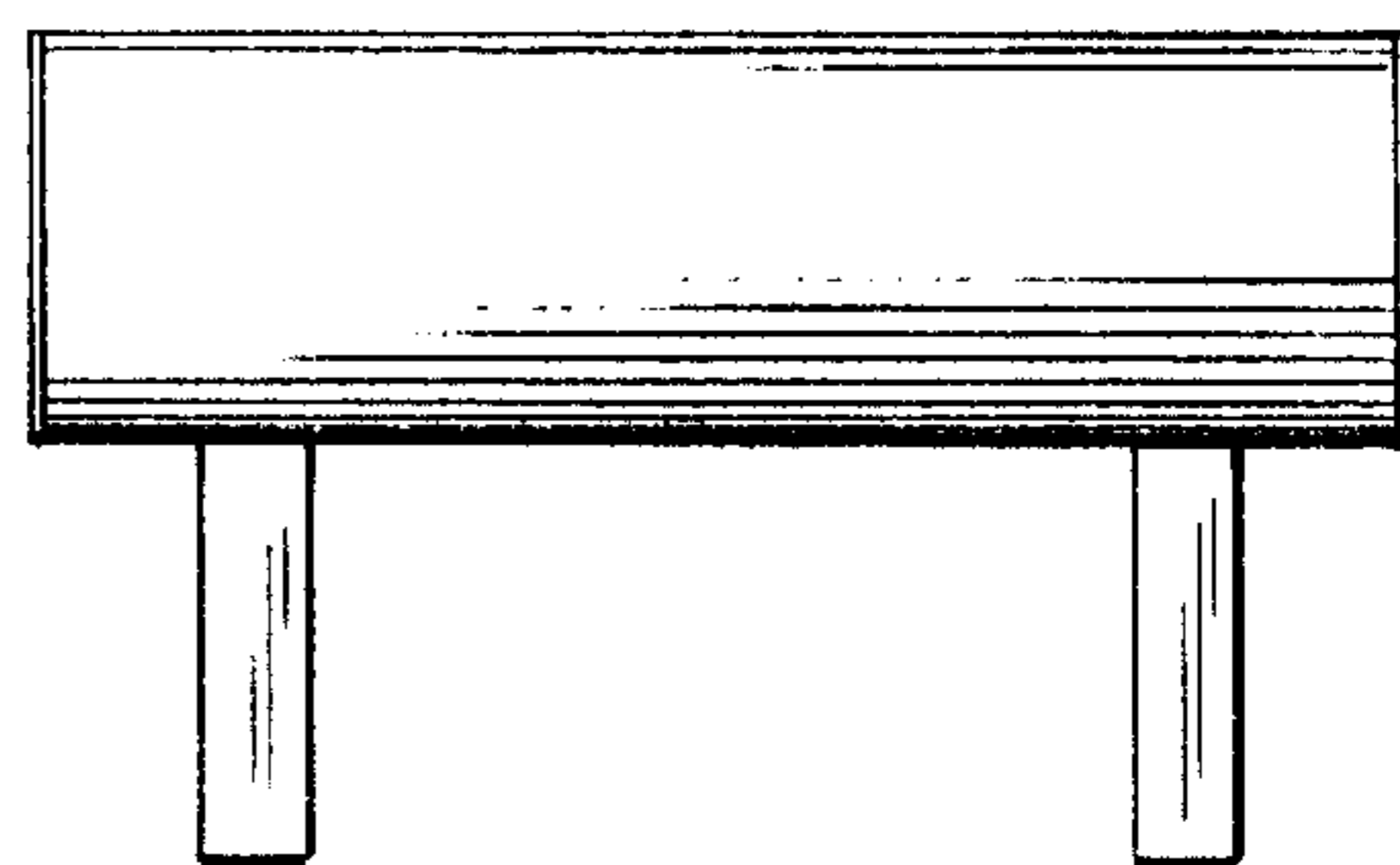


FIG. 7