



US00D491386S

(12) **United States Design Patent**  
**Sexton**

(10) **Patent No.:** **US D491,386 S**

(45) **Date of Patent:** **\*\* Jun. 15, 2004**

(54) **AUDIO-VIDEO STORAGE UNIT**

(75) Inventor: **James S Sexton**, Danville, CA (US)

(73) Assignee: **Z-Line Designs**, San Ramon, CA (US)

(\*\*) Term: **14 Years**

(21) Appl. No.: **29/185,779**

(22) Filed: **Jul. 1, 2003**

(51) **LOC (7) Cl.** ..... **06-04**

(52) **U.S. Cl.** ..... **D6/479**

(58) **Field of Search** ..... D6/464, 474-476,  
D6/477-479; 108/59, 60, 91, 92, 147.11,  
149; 211/153, 186, 188, 194; 312/7.2, 9.1,  
223.1

(56) **References Cited**

**U.S. PATENT DOCUMENTS**

D363,626 S	*	10/1995	Herbst	.....	D6/479
D368,397 S	*	4/1996	Weberg	.....	D6/479
D371,259 S	*	7/1996	Herbst	.....	D6/479
D371,472 S	*	7/1996	Herbst	.....	D6/480
D405,630 S	*	2/1999	Wohlford	.....	D6/479
D471,739 S	*	3/2003	de Carolis	.....	D6/479
D472,073 S	*	3/2003	de Carolis	.....	D6/479
D483,581 S	*	12/2003	Chang	.....	D6/479

\* cited by examiner

*Primary Examiner*—Cathron Brooks

(74) *Attorney, Agent, or Firm*—Townsend and Townsend and Crew LLP

(57) **CLAIM**

The ornamental design for an audio-video storage unit, as shown and described.

**DESCRIPTION**

FIG. 1 is a perspective view of an audio-video storage unit showing my new design;

FIG. 2 is a top plan view thereof;

FIG. 3 is a front elevational view; the rear elevational view being a mirror image thereof;

FIG. 4 is a right side view; the left side elevational view being a mirror image thereof;

FIG. 5 is a bottom plan view thereof;

FIG. 6 is a perspective view of a second embodiment of my new design;

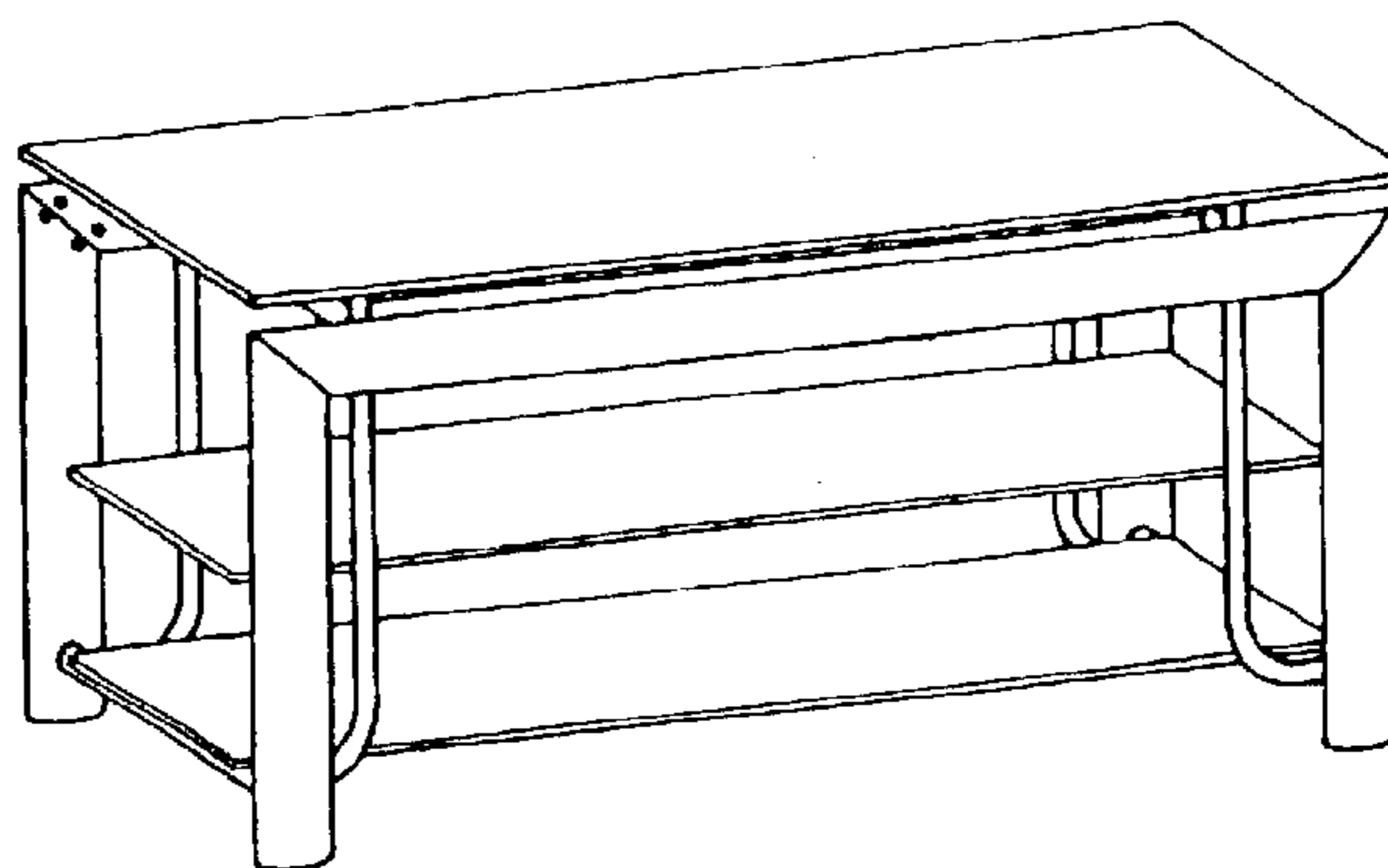
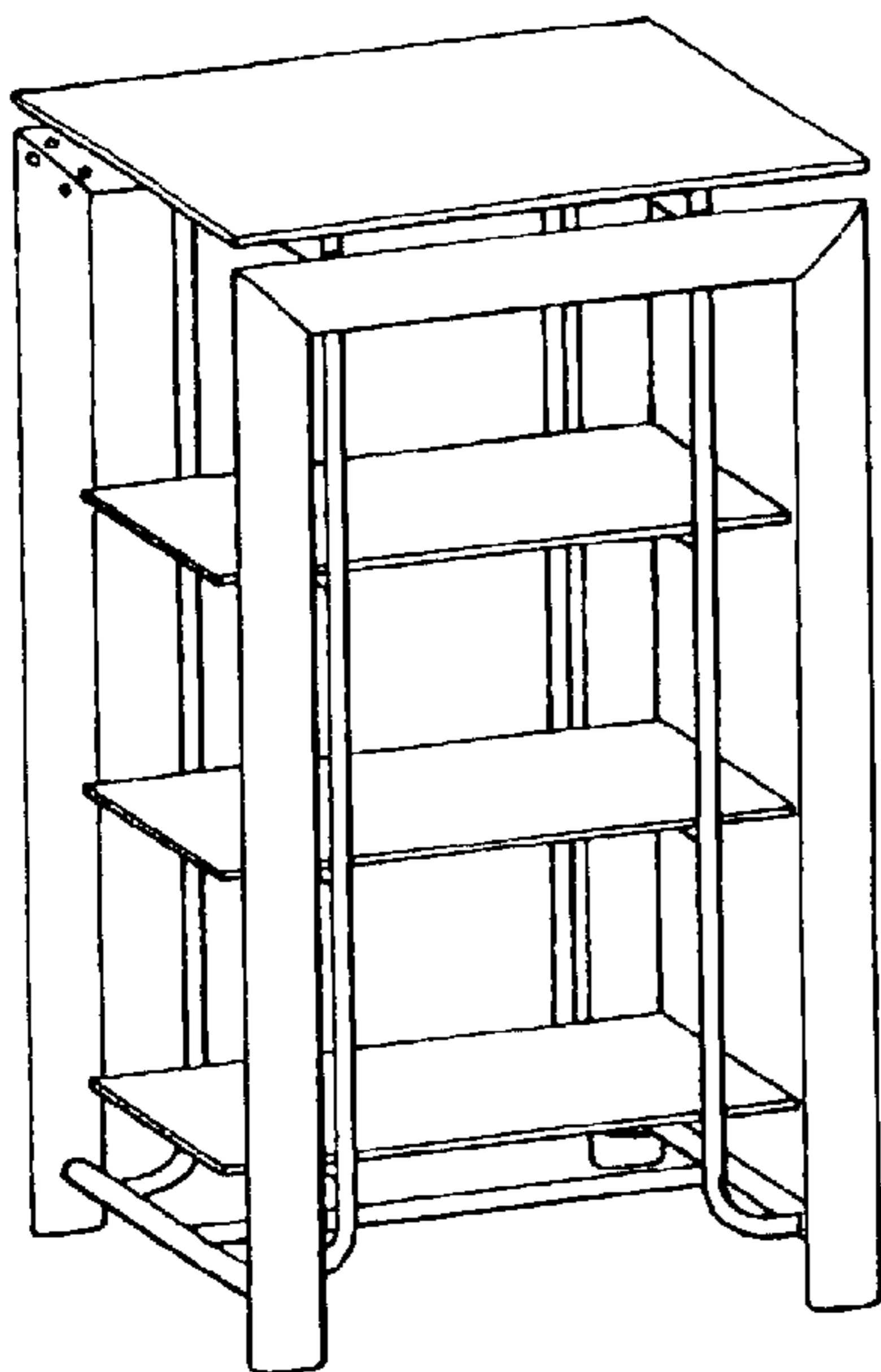
FIG. 7 is a top plan view thereof;

FIG. 8 is a front elevational view; the rear elevational view being a mirror image thereof;

FIG. 9 is a right side elevational view; the left side elevational view being a mirror image thereof; and,

FIG. 10 is a bottom plan view thereof.

**1 Claim, 2 Drawing Sheets**



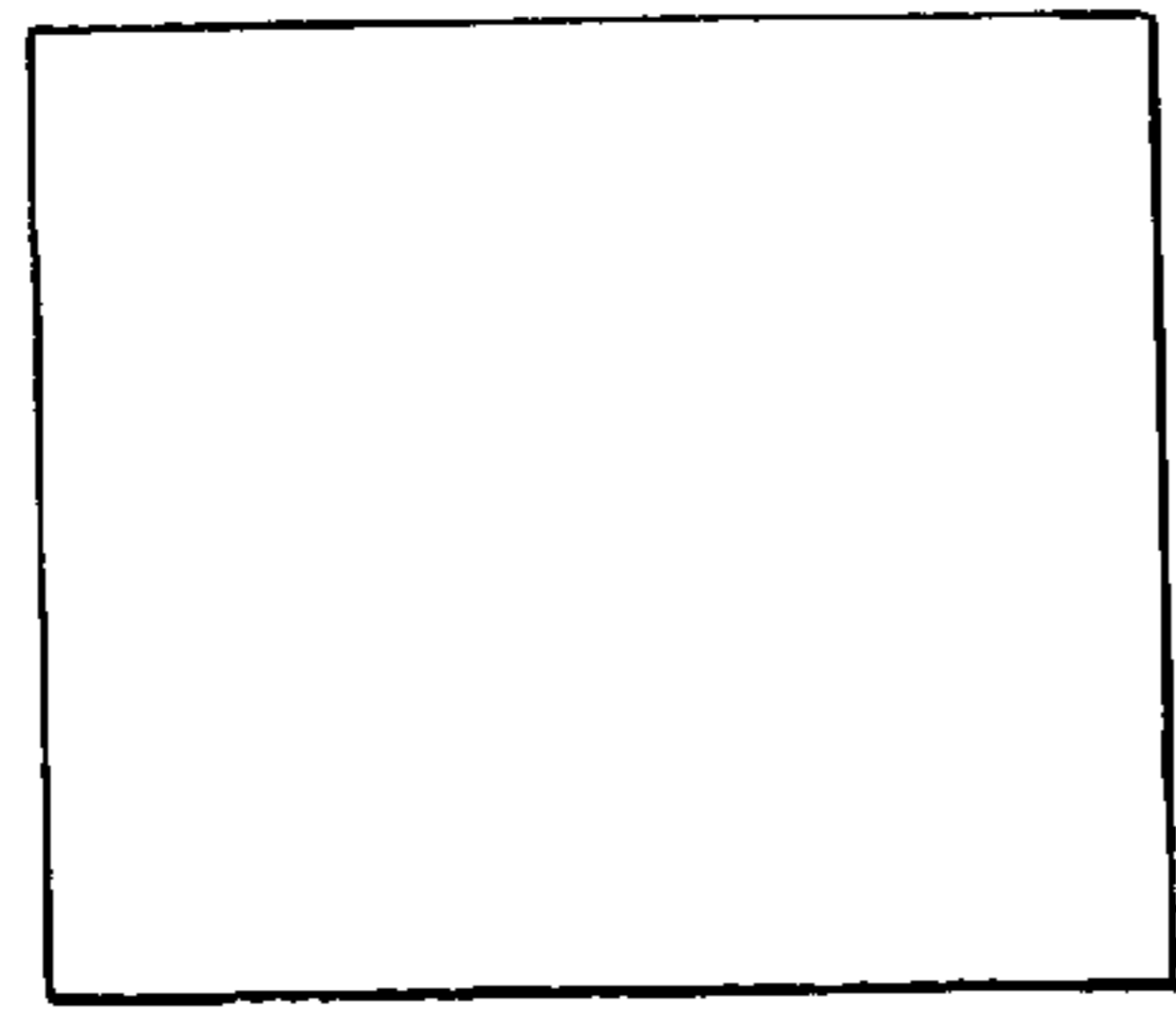


FIG. 2

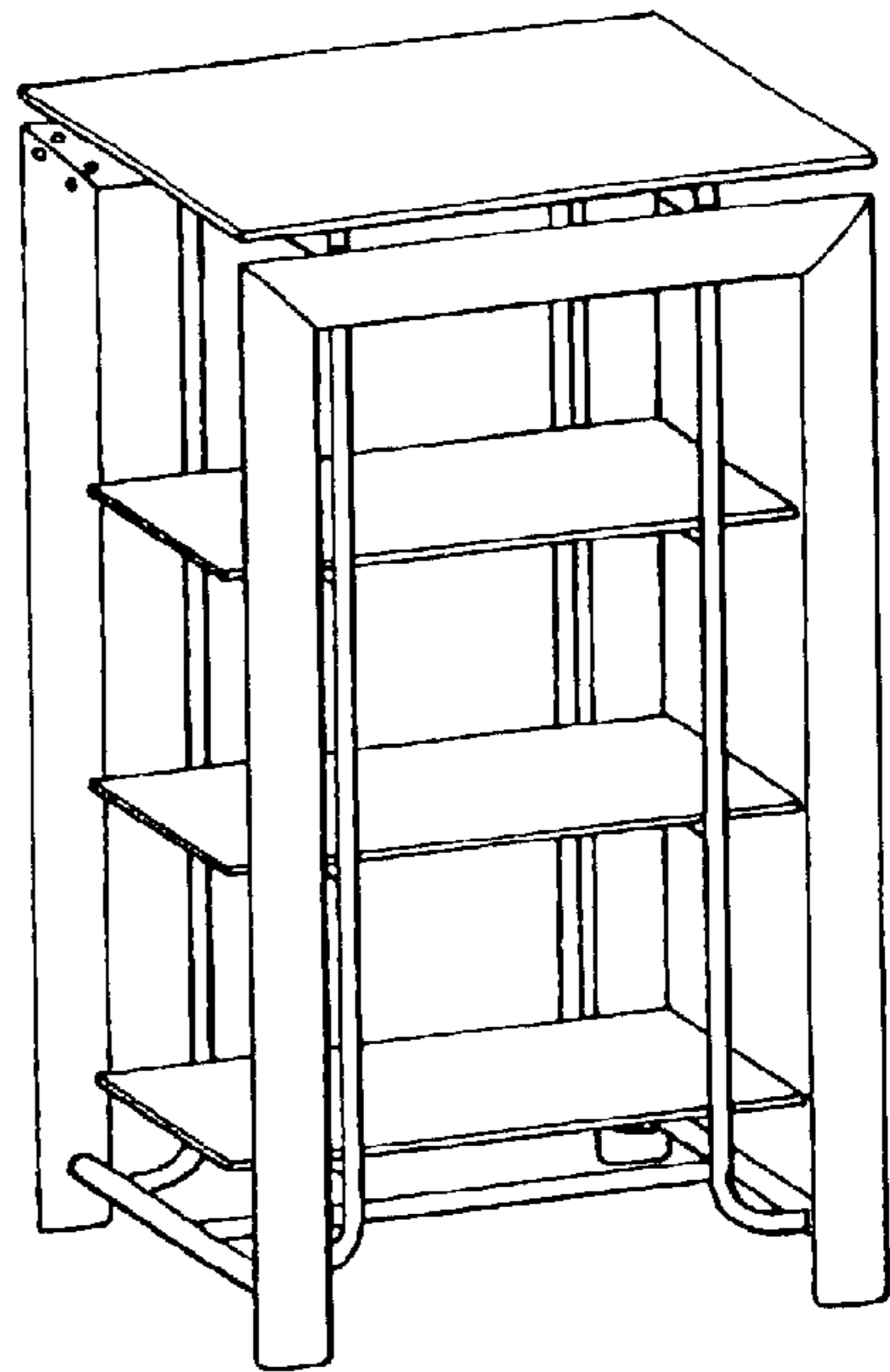


FIG. 1

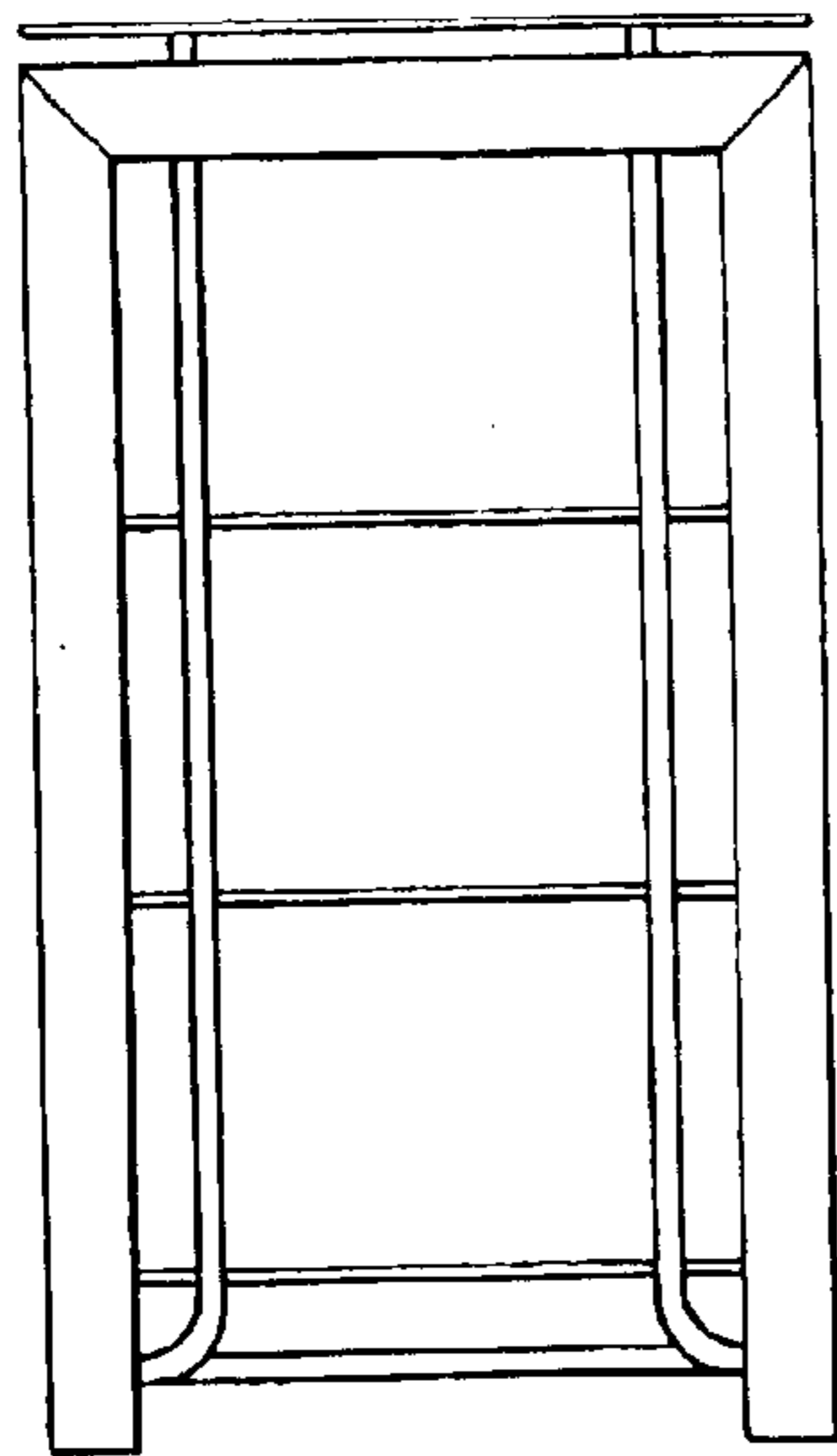


FIG. 3

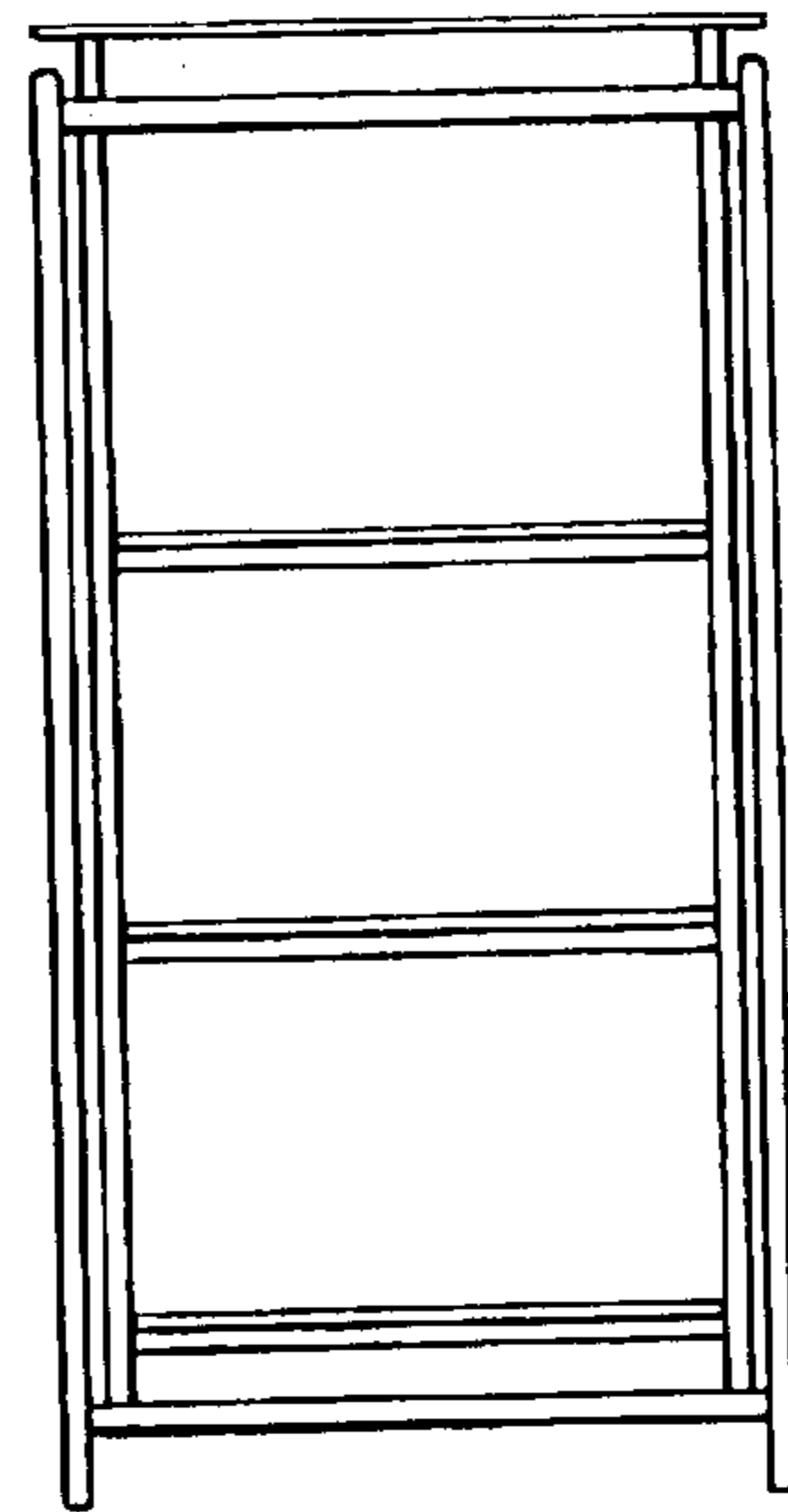


FIG. 4

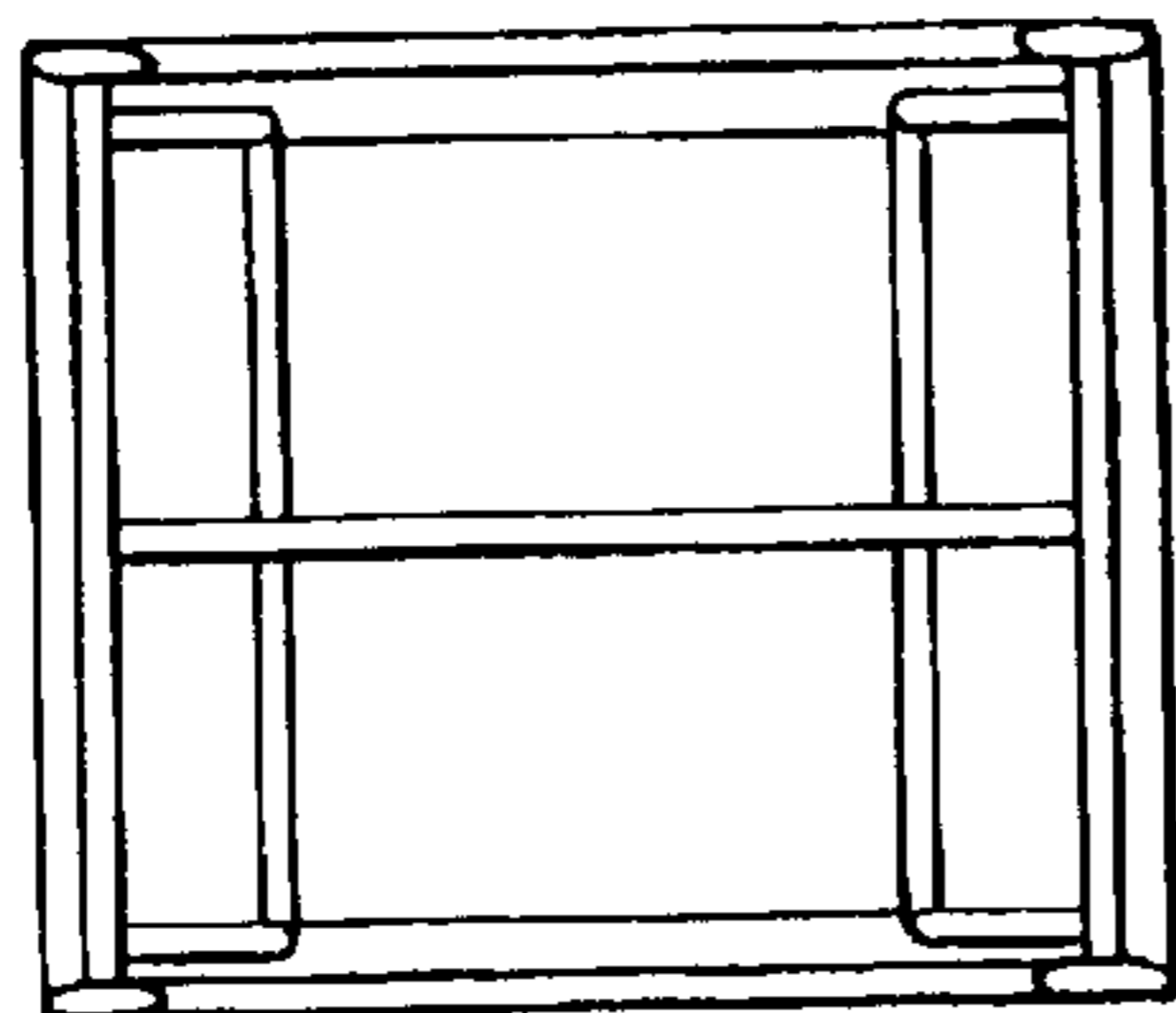
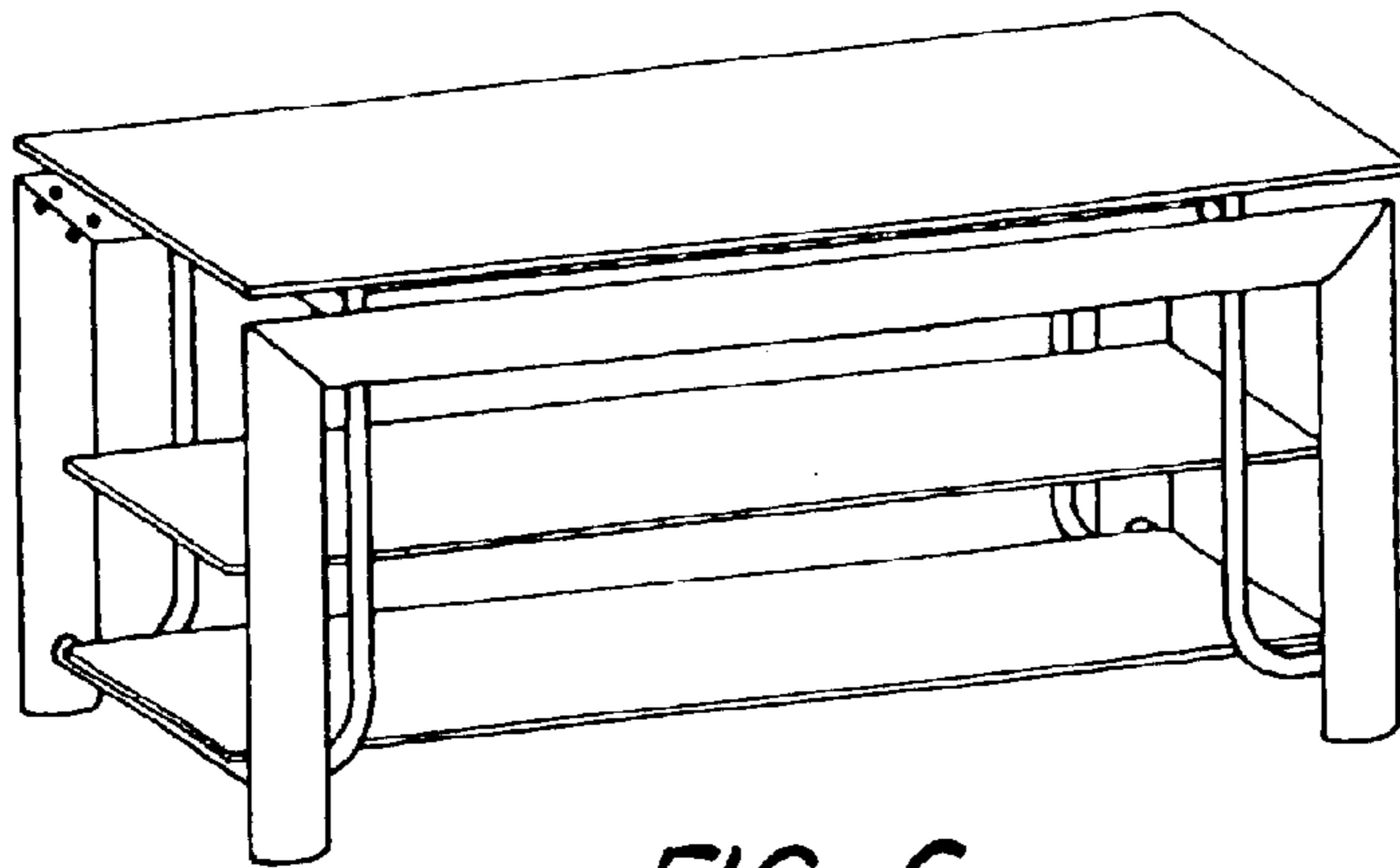
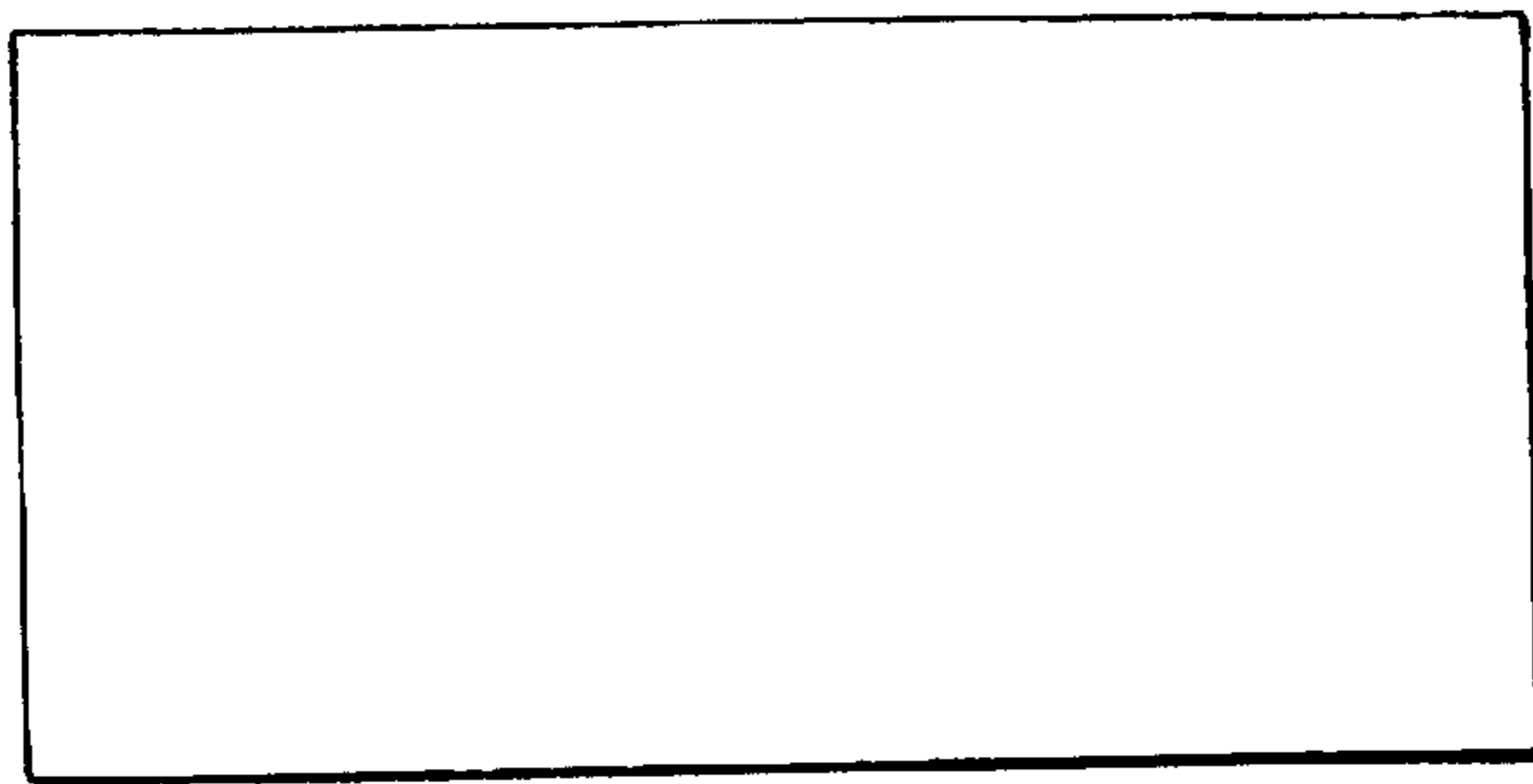


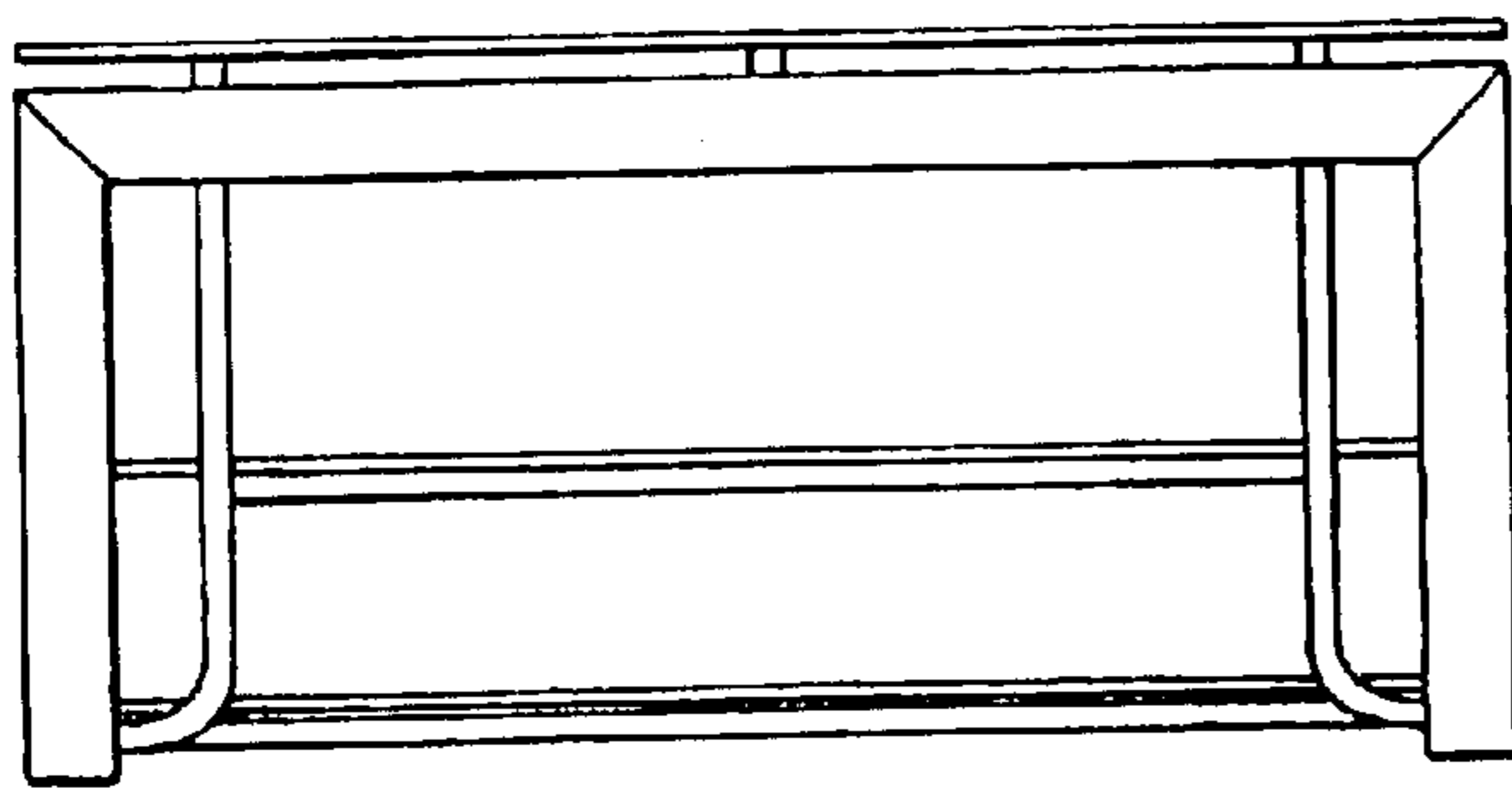
FIG. 5



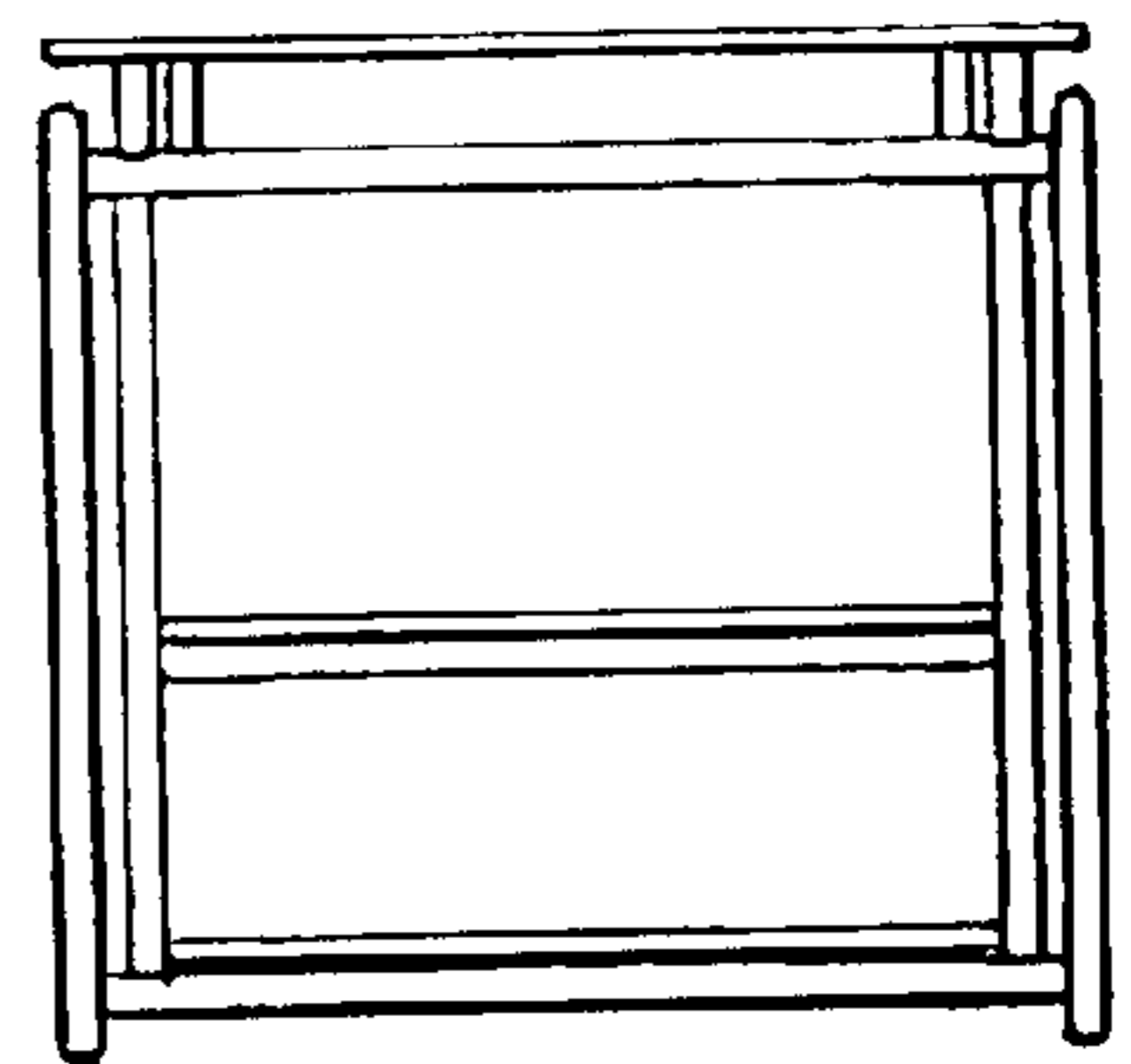
*FIG. 6*



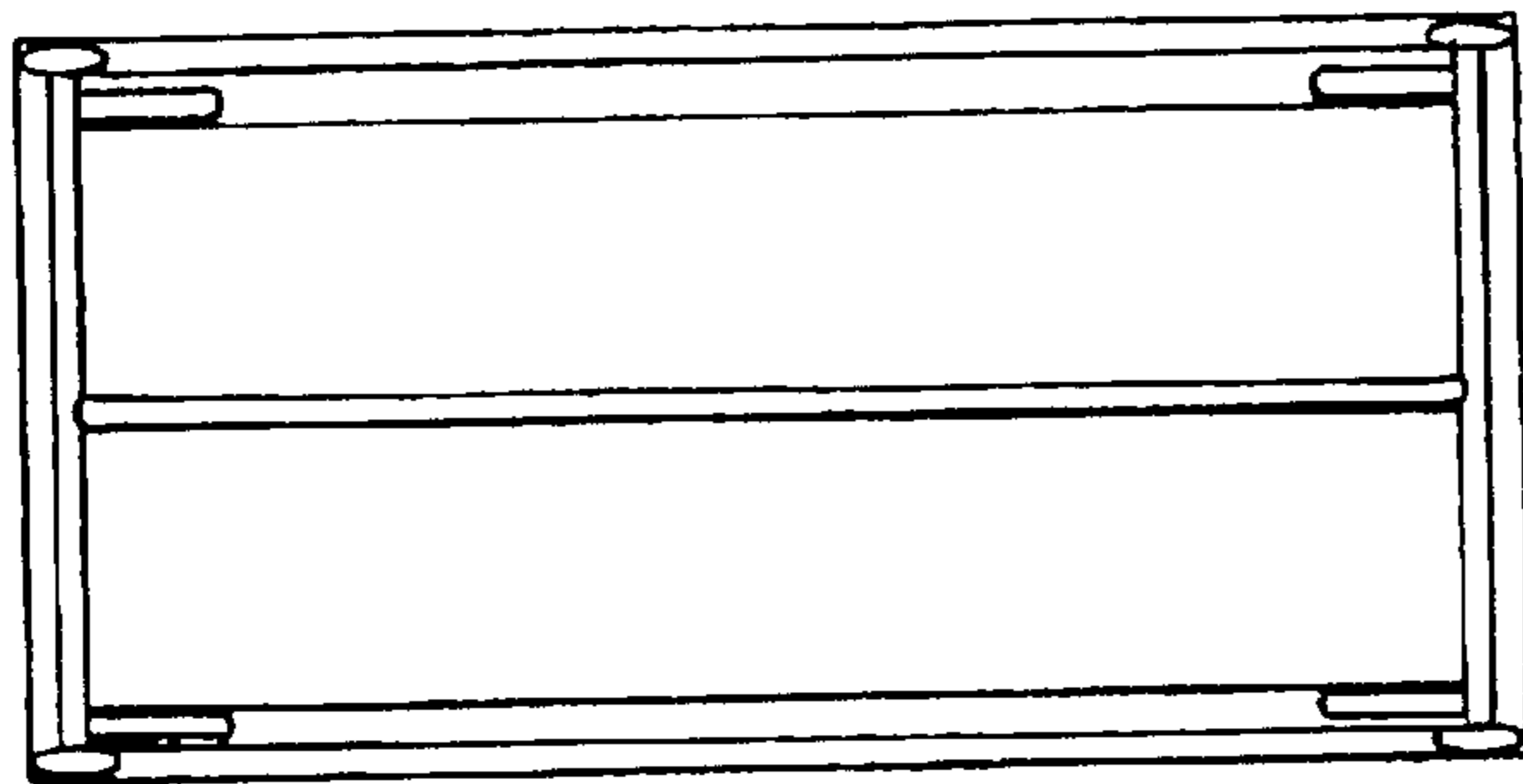
*FIG. 7*



*FIG. 8*



*FIG. 9*



*FIG. 10*