



US00D491385S

(12) **United States Design Patent**
Sexton

(10) **Patent No.:** **US D491,385 S**

(45) **Date of Patent:** **** Jun. 15, 2004**

(54) **AUDIO-VIDEO STORAGE UNIT**

(75) **Inventor:** **James S. Sexton**, Danville, CA (US)

(73) **Assignee:** **Z-Line Design**, San Ramon, CA (US)

(**) **Term:** **14 Years**

(21) **Appl. No.:** **29/185,775**

(22) **Filed:** **Jul. 1, 2003**

(51) **LOC (7) Cl.** **06-04**

(52) **U.S. Cl.** **D6/479**

(58) **Field of Search** D6/464, 474-476,
D6/477-479; 108/59, 60, 91, 92, 147.11,
149; 211/153, 186, 188, 194; 312/7.2, 9.1,
223.1

(56) **References Cited**

U.S. PATENT DOCUMENTS

4,109,961	A	*	8/1978	Opsvik	297/338
5,088,420	A	*	2/1992	Russell	108/106
D362,554	S	*	9/1995	Grundner	D6/339
D472,075	S	*	3/2003	de Carolis	D6/479

* cited by examiner

Primary Examiner—Cathron Brooks

(74) *Attorney, Agent, or Firm*—Townsend & Townsend and Crew LLP

(57) **CLAIM**

The ornamental design for an audio-video storage unit, as shown and described.

DESCRIPTION

FIG. 1 is a perspective view of an audio-video storage unit showing my new design;
 FIG. 2 is a top plan view thereof;
 FIG. 3 is a front elevational view thereof;
 FIG. 4 is a right side view thereof;
 FIG. 5 is a left side view thereof;
 FIG. 6 is a rear elevational view thereof;
 FIG. 7 is a bottom plan view thereof;
 FIG. 8 is a perspective view of a second embodiment of my new design;
 FIG. 9 is a top plan view thereof;
 FIG. 10 is a front elevational view thereof;
 FIG. 11 is a right side elevational view thereof;
 FIG. 12 is a left side elevational view thereof;
 FIG. 13 is a rear elevational view thereof; and,
 FIG. 14 is a bottom plan view thereof.

1 Claim, 4 Drawing Sheets

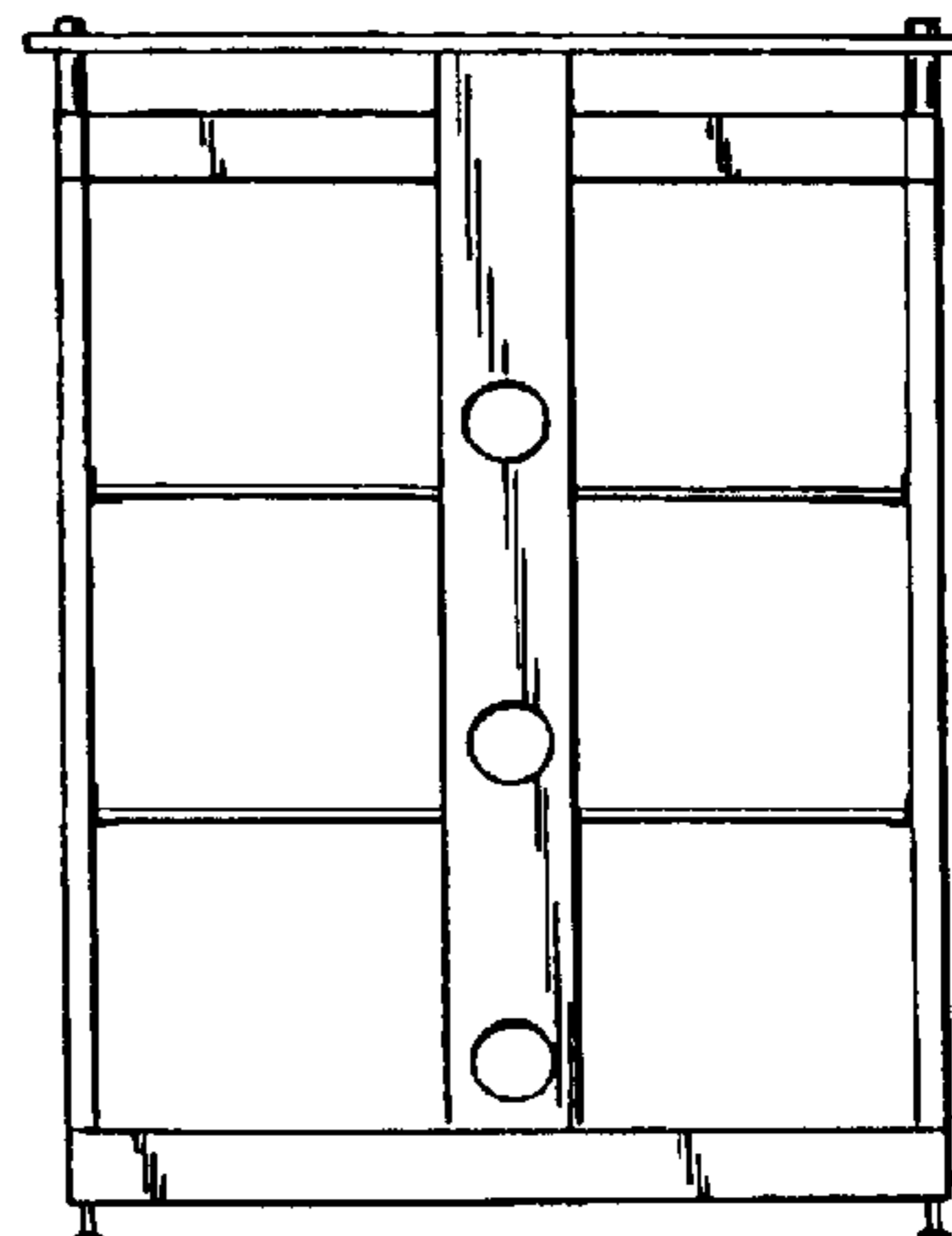
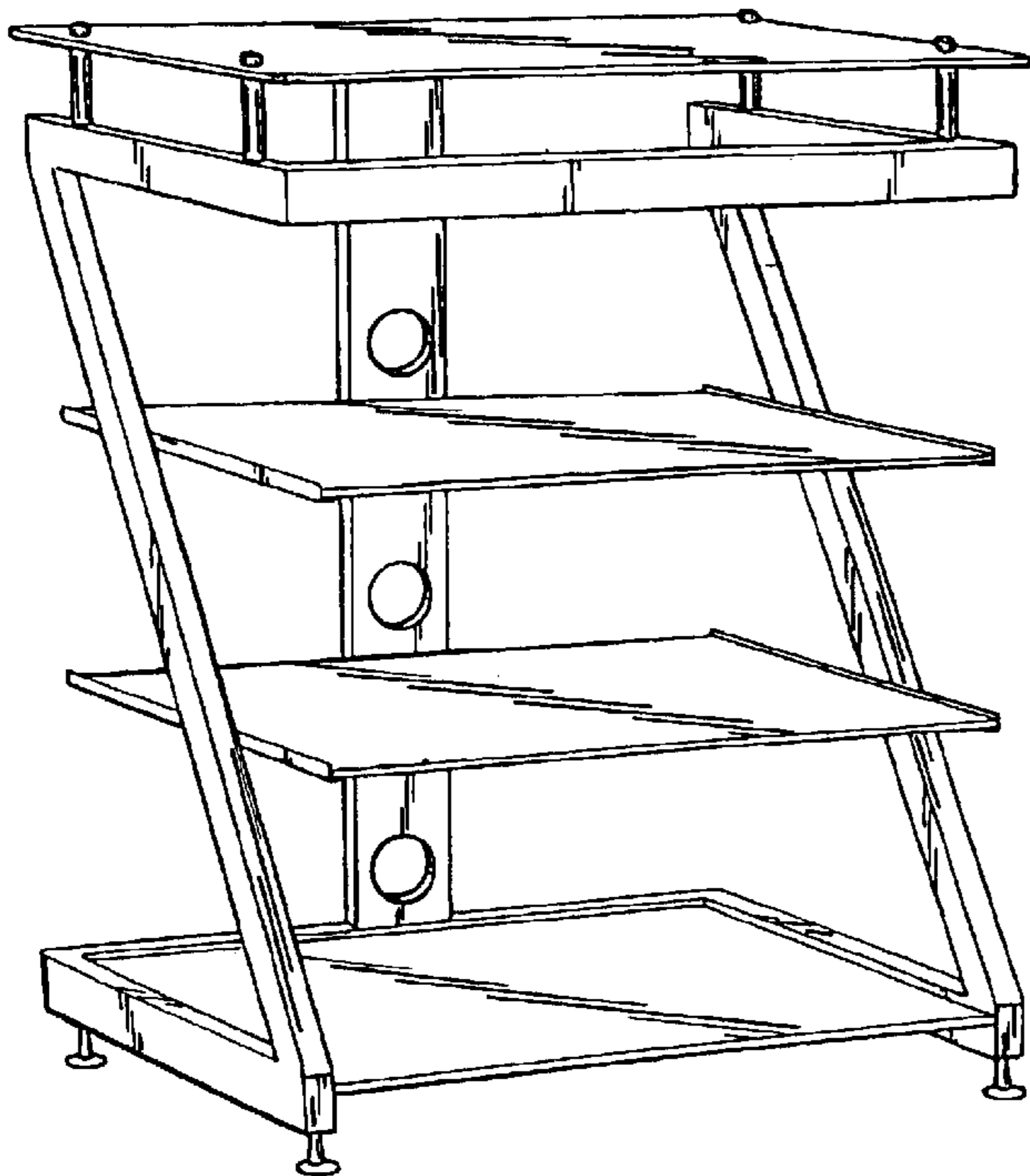


FIG. 1

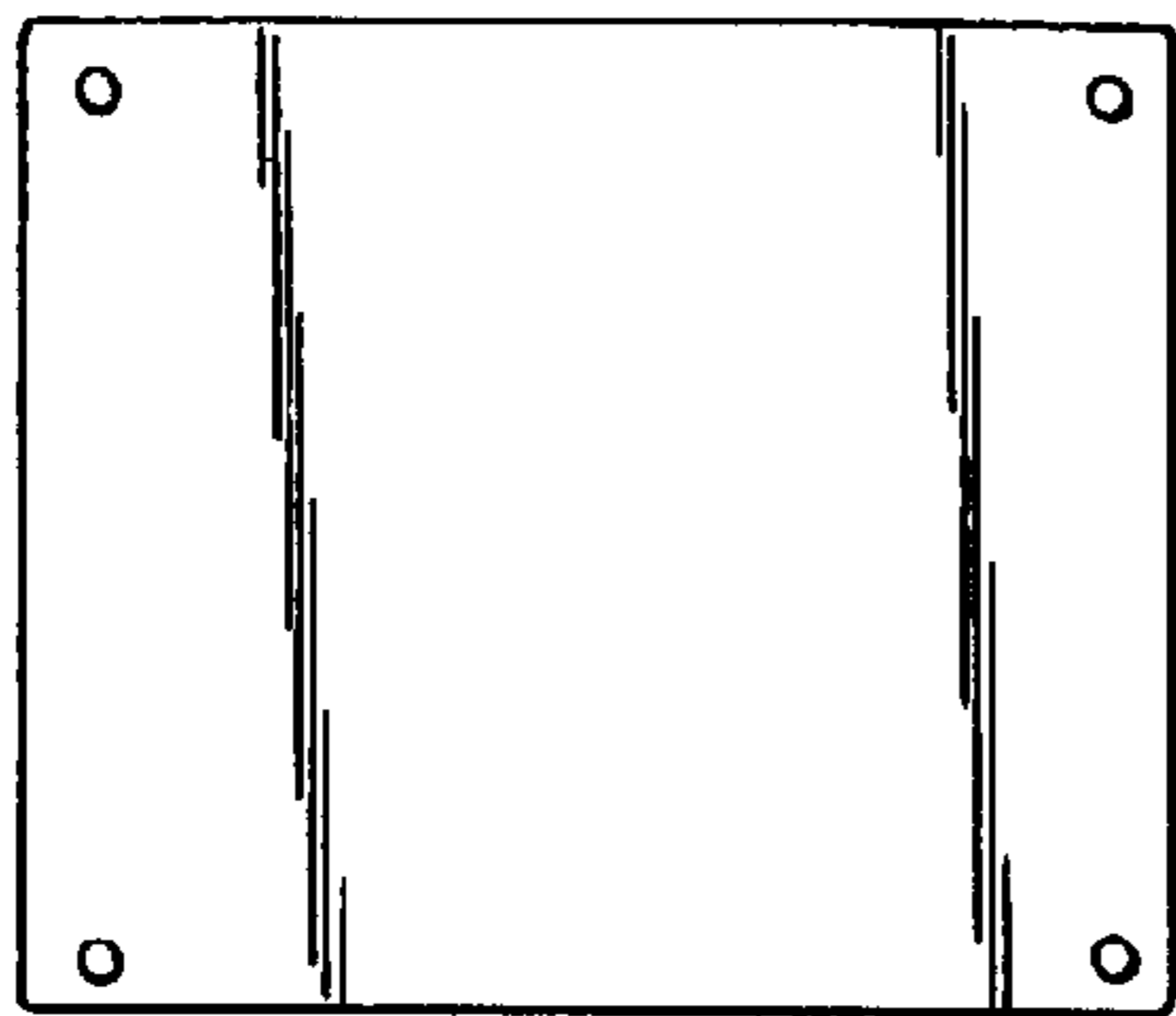
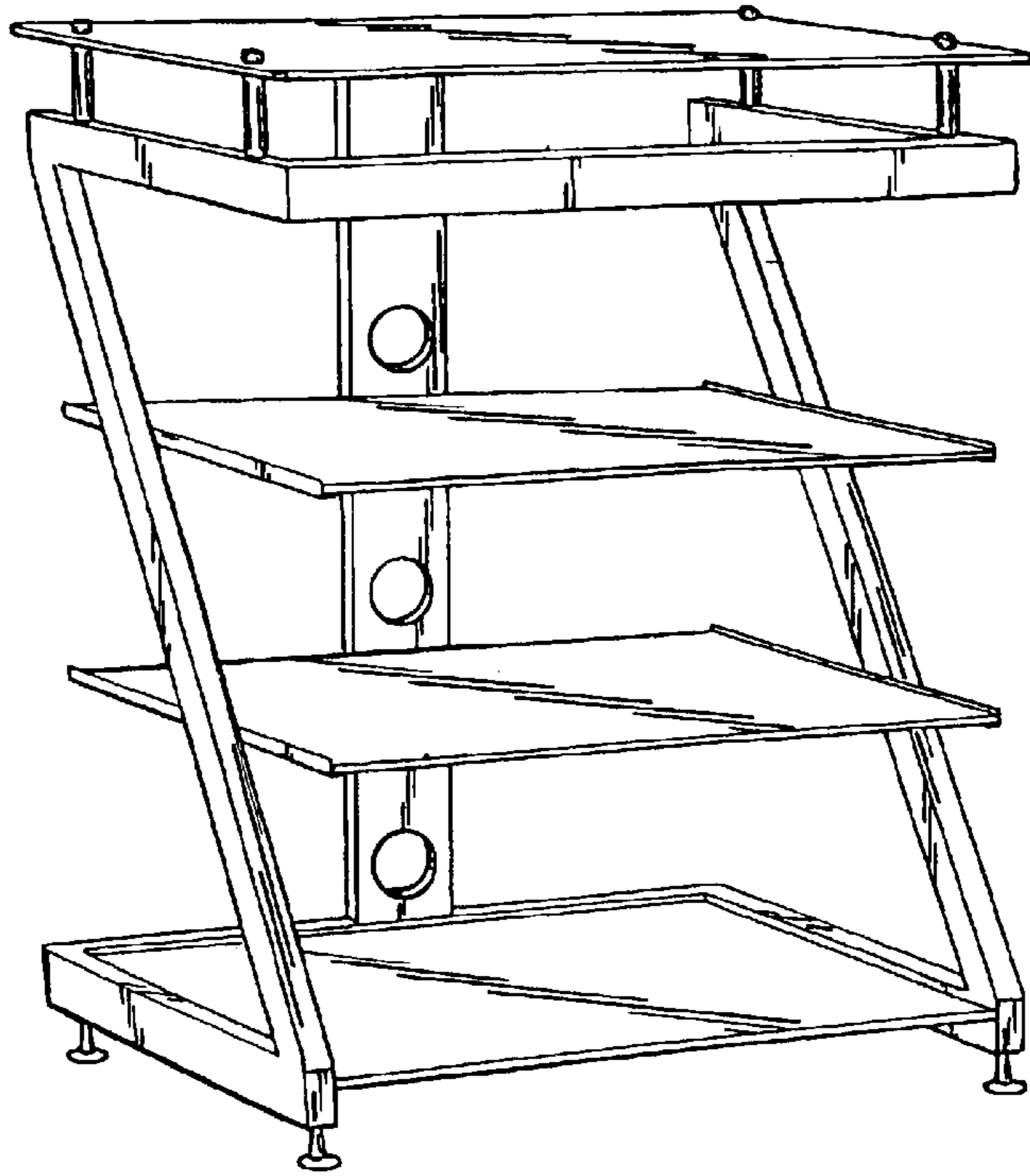


FIG. 2

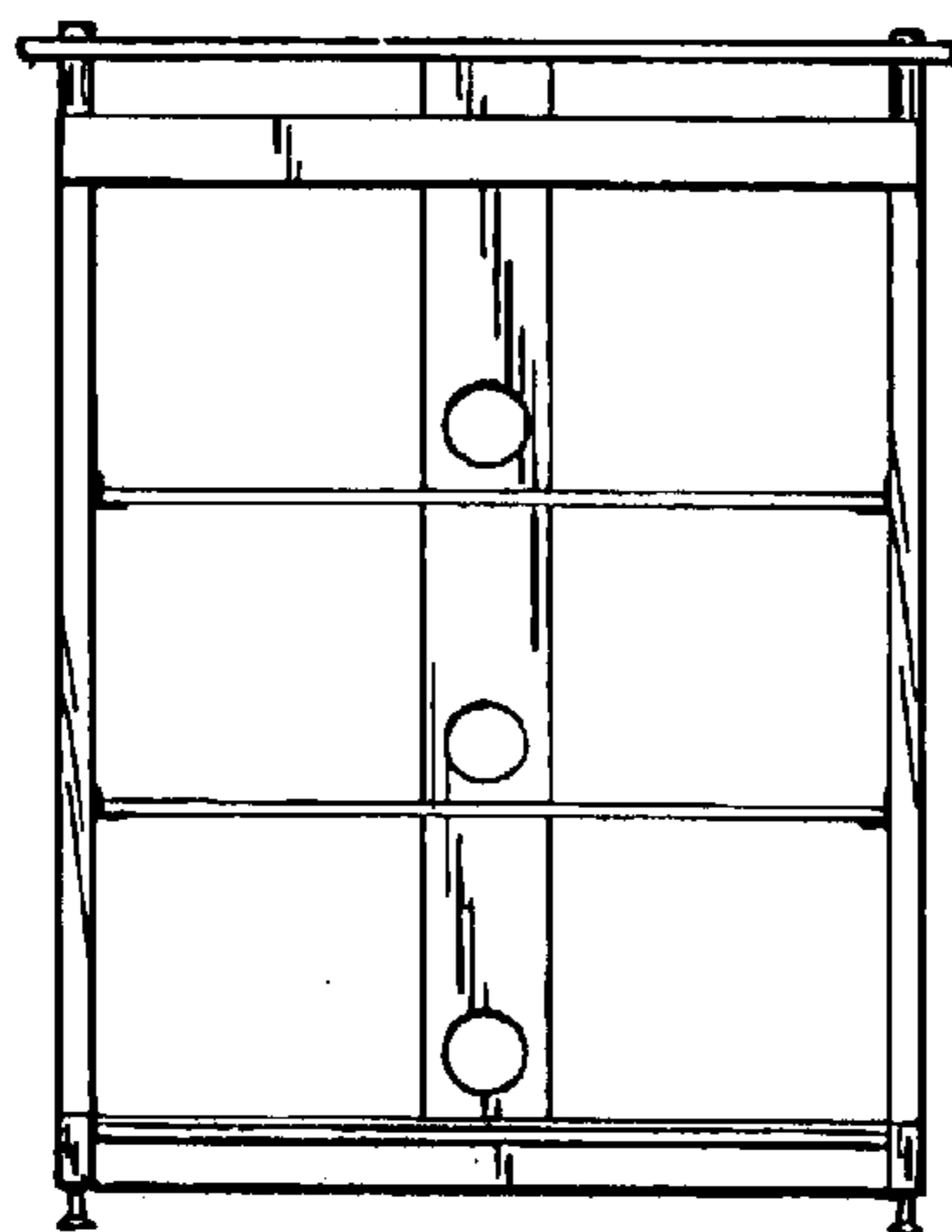


FIG. 3

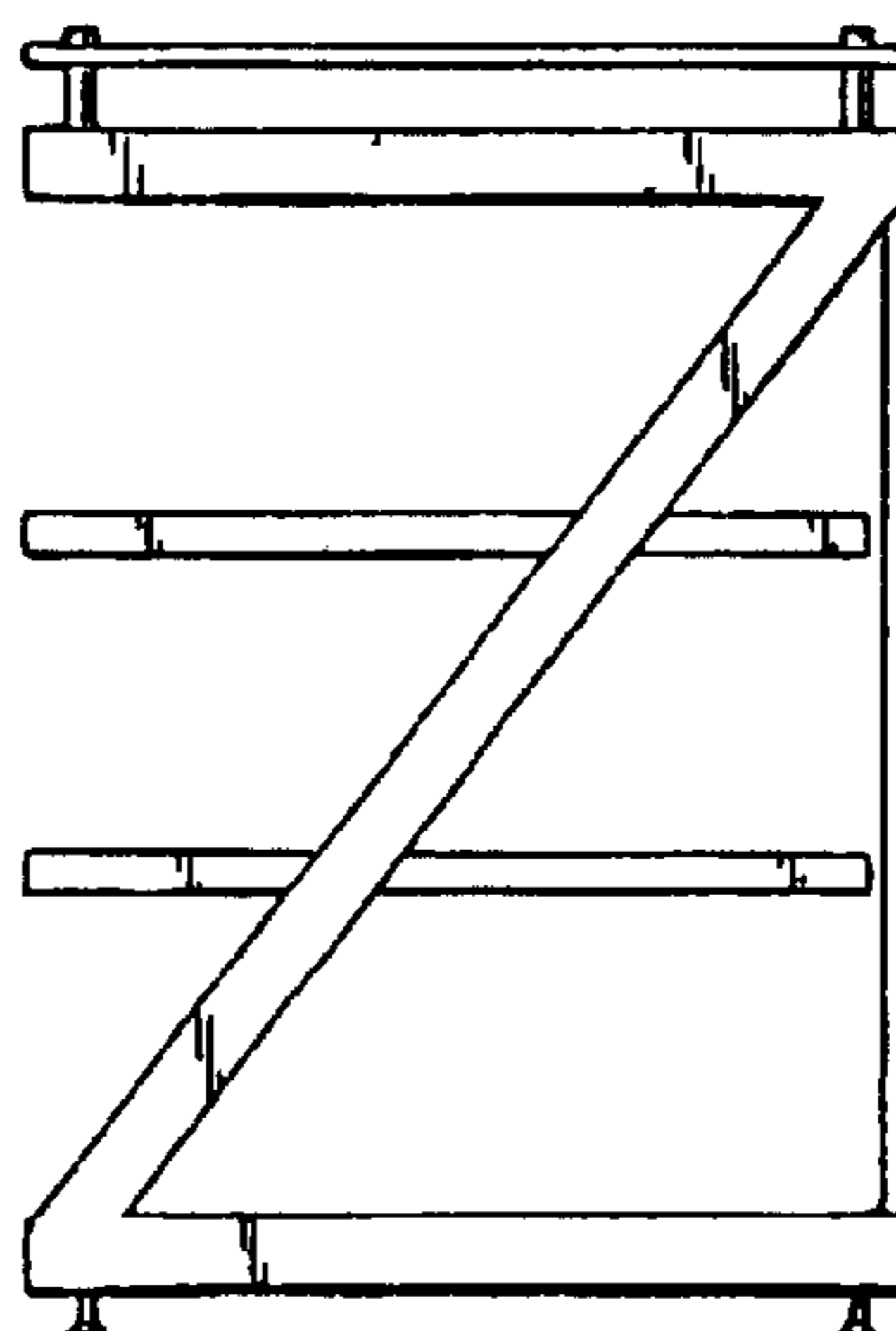


FIG. 4

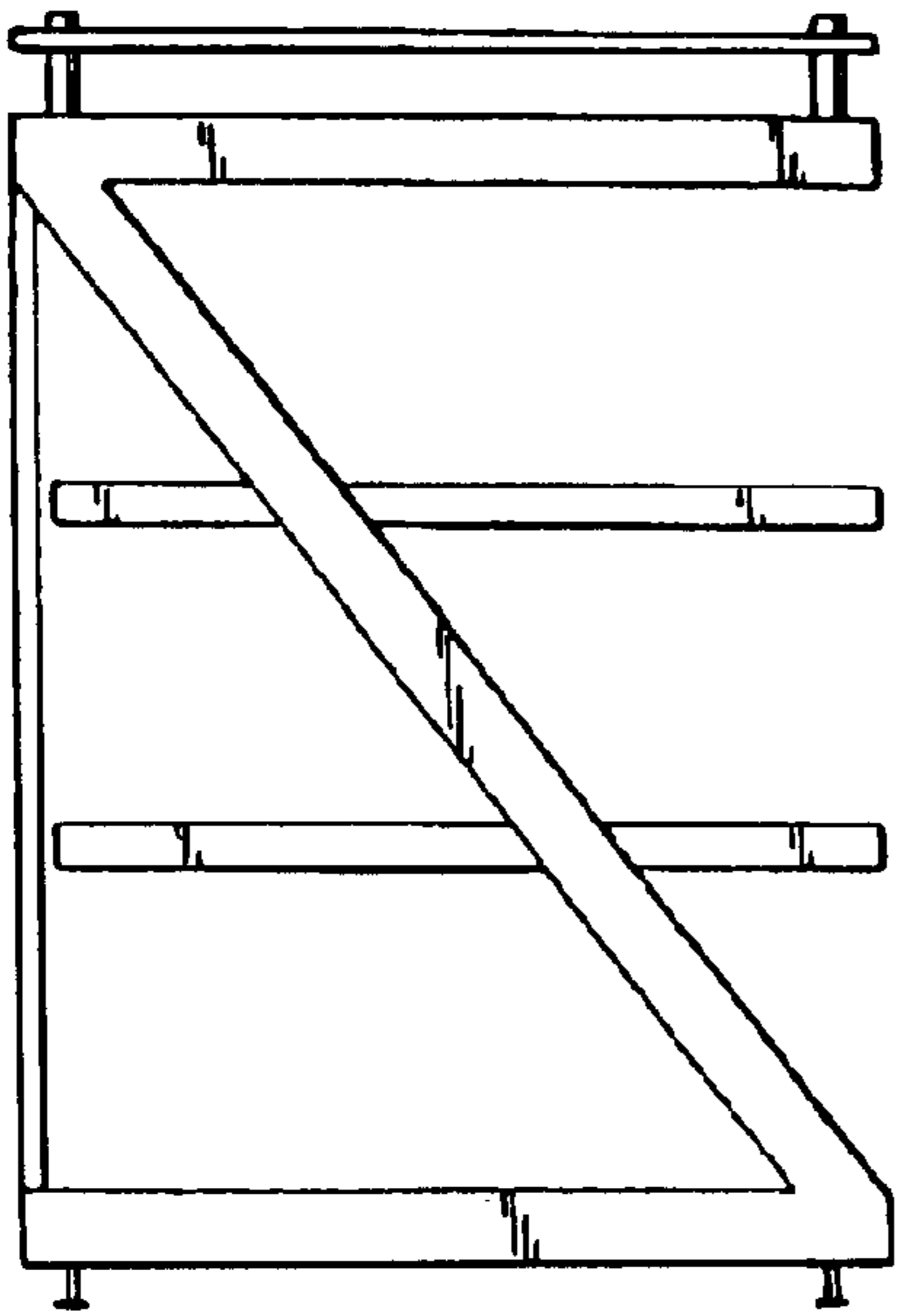


FIG. 5

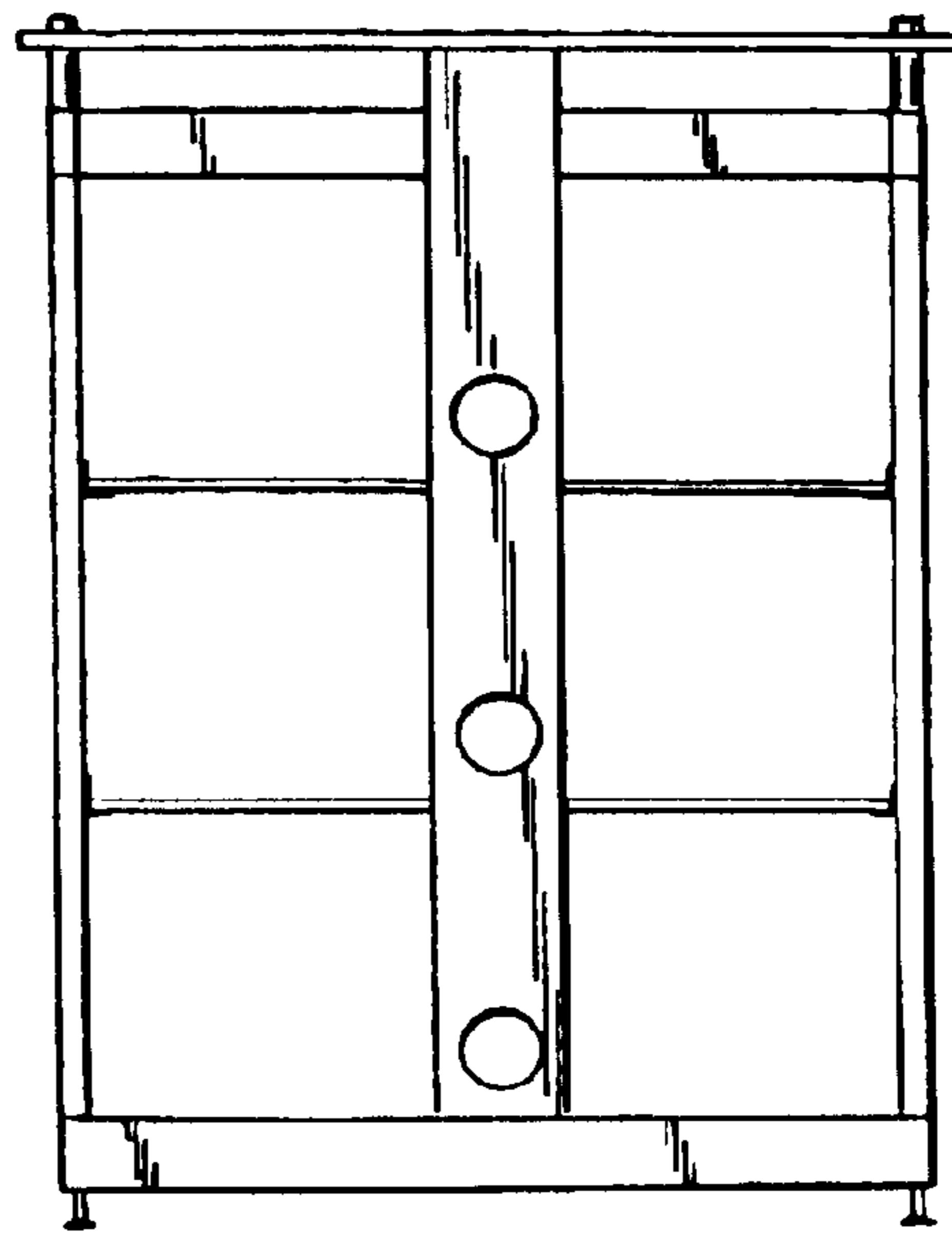


FIG. 6

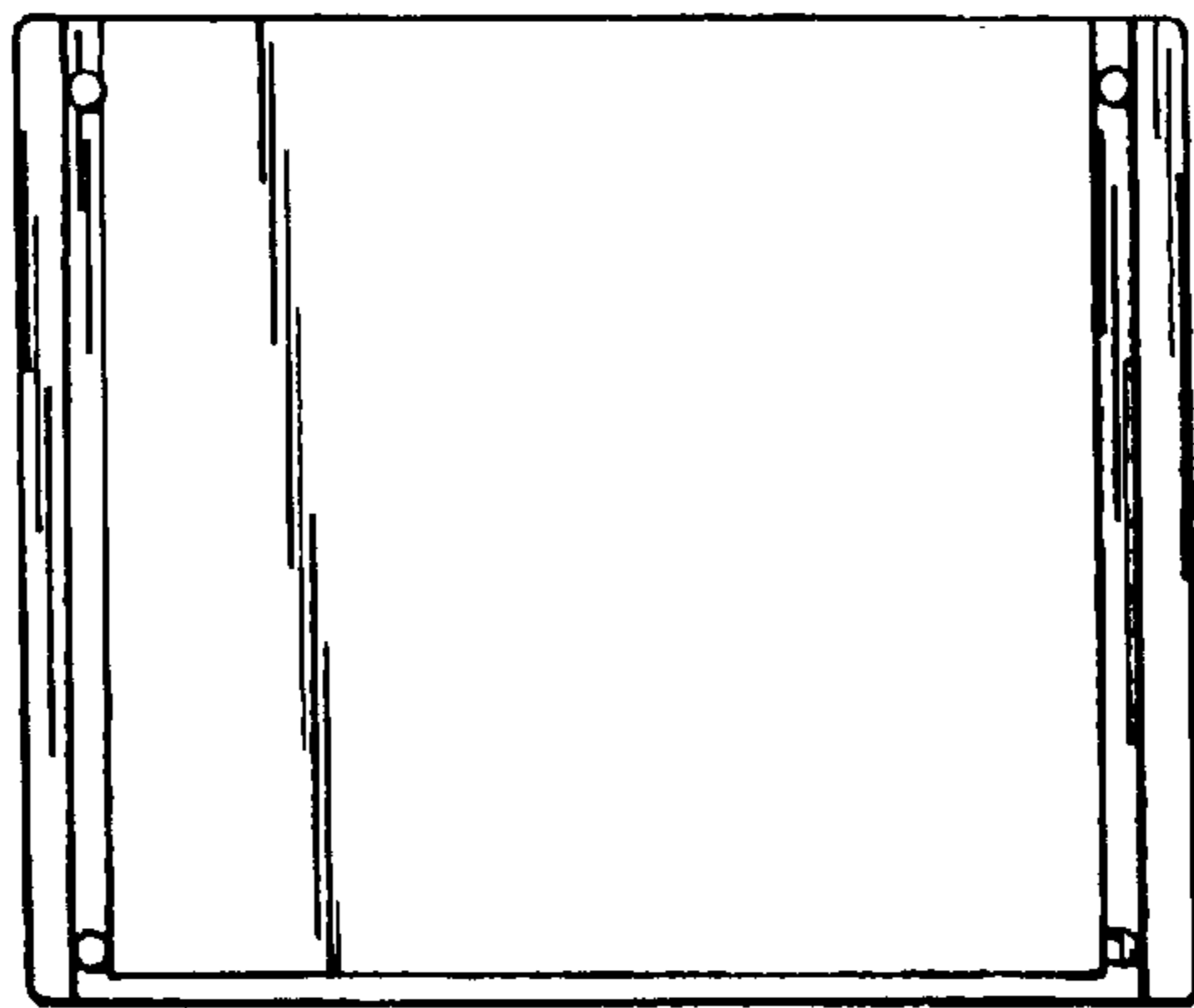


FIG. 7

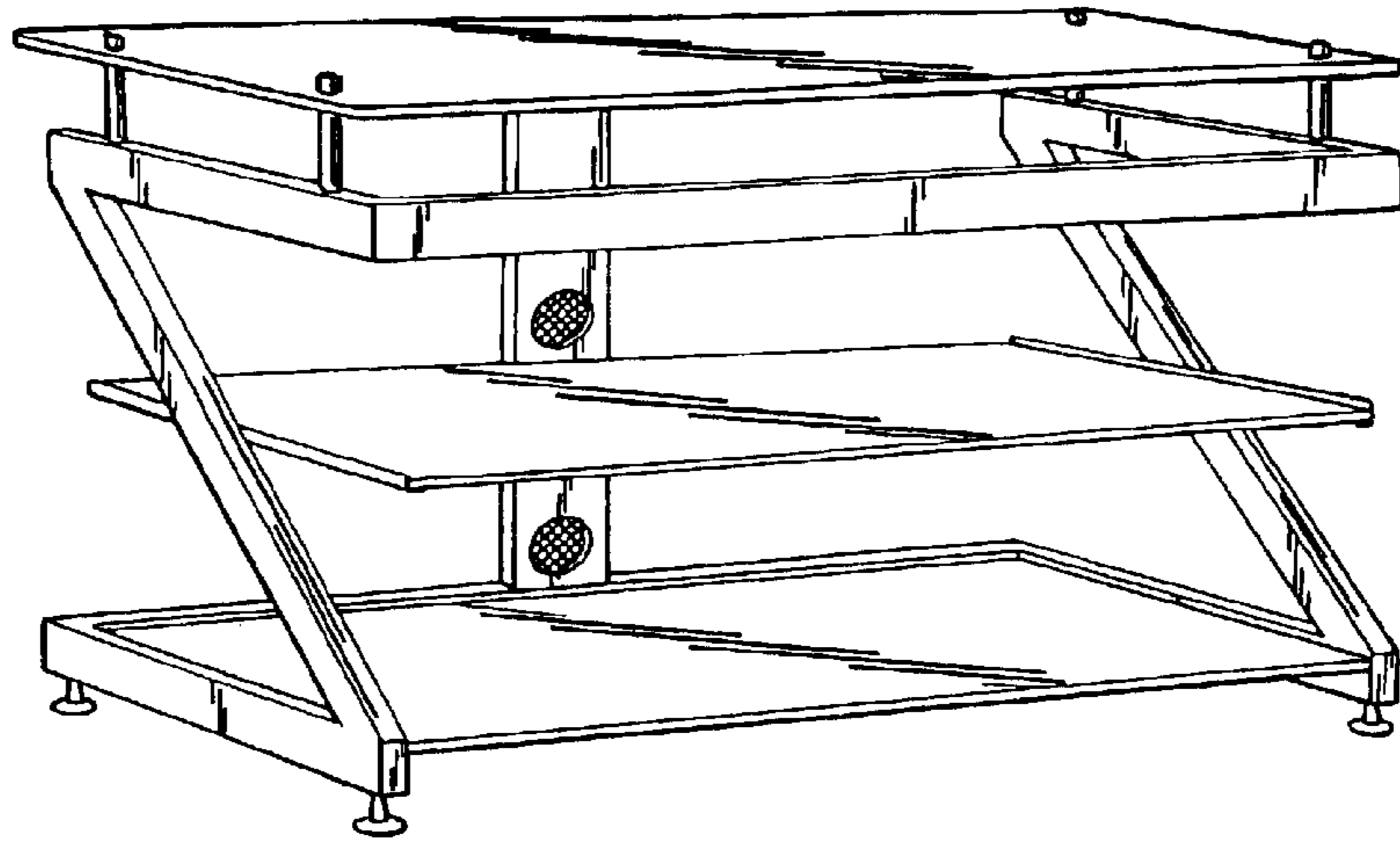


FIG. 8

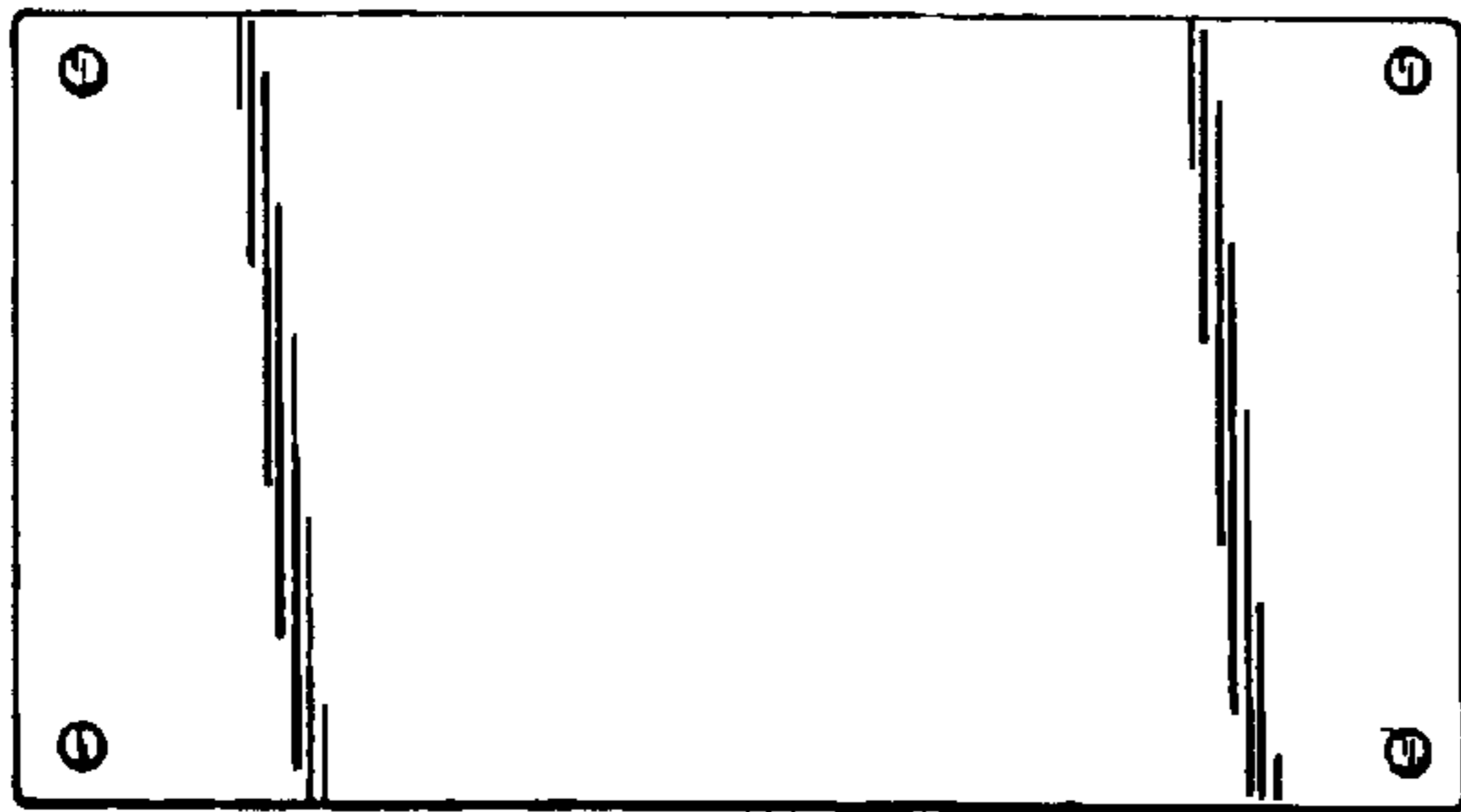


FIG. 9

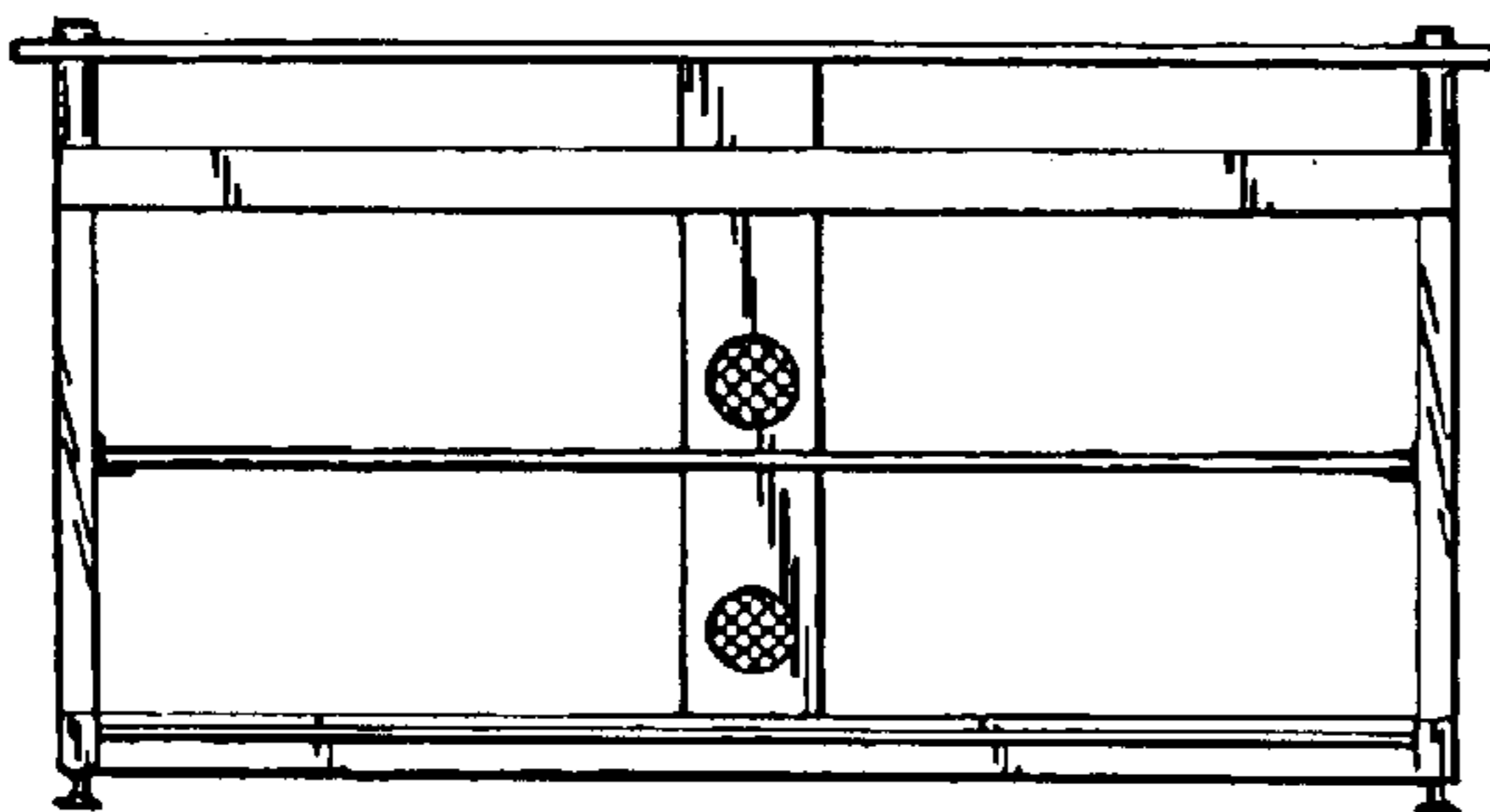


FIG. 10

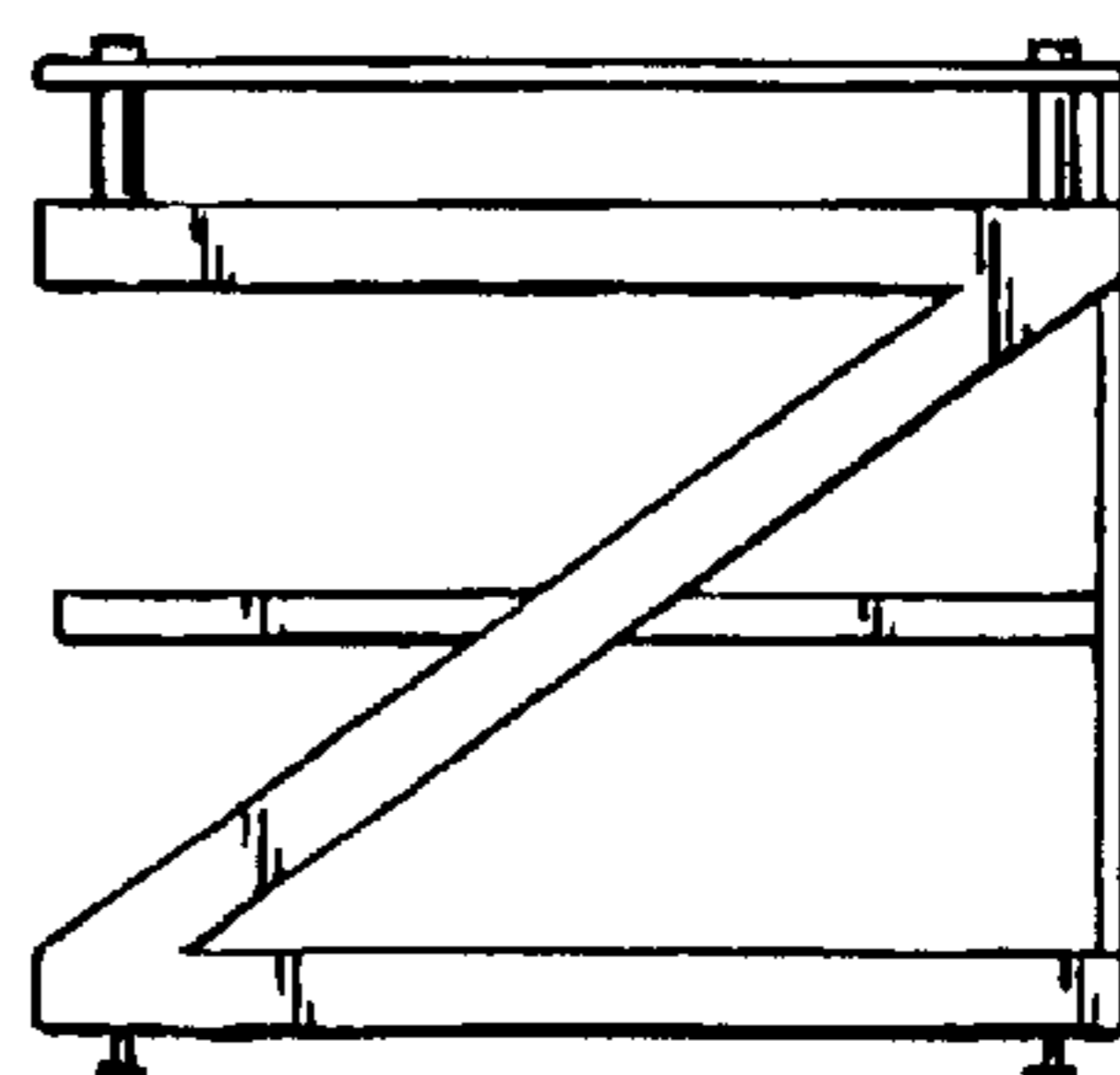


FIG. 11

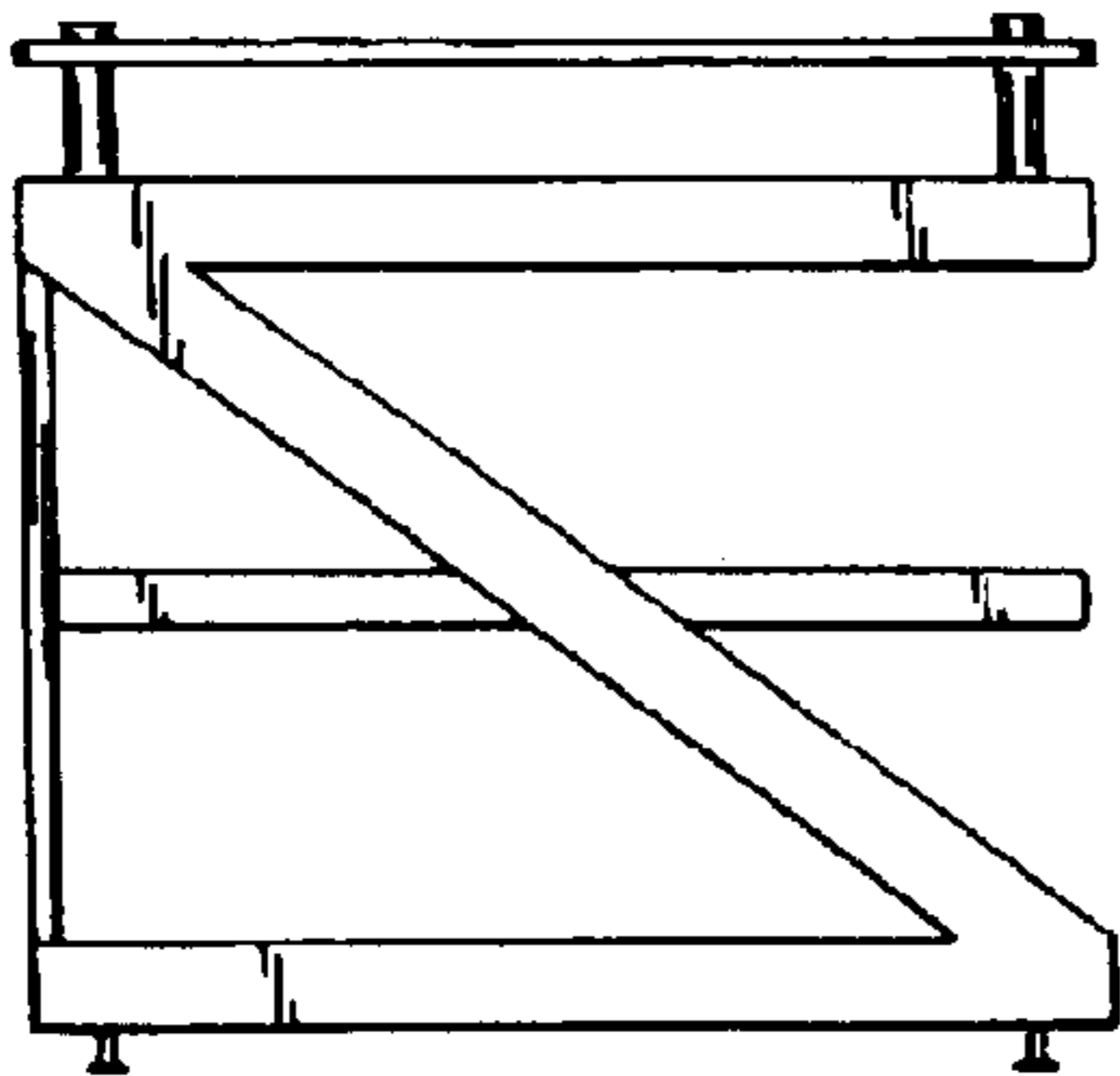


FIG. 12

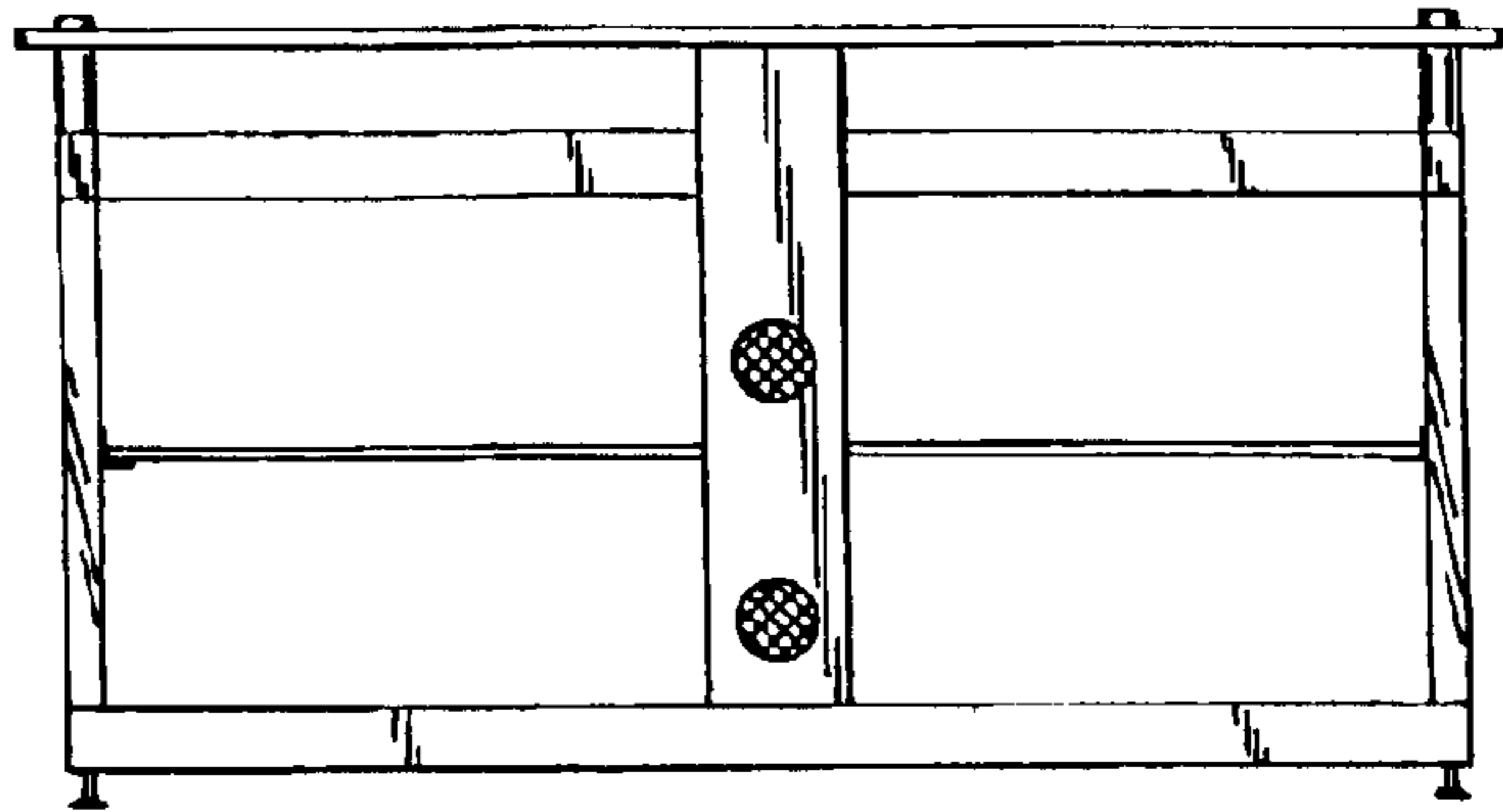


FIG. 13

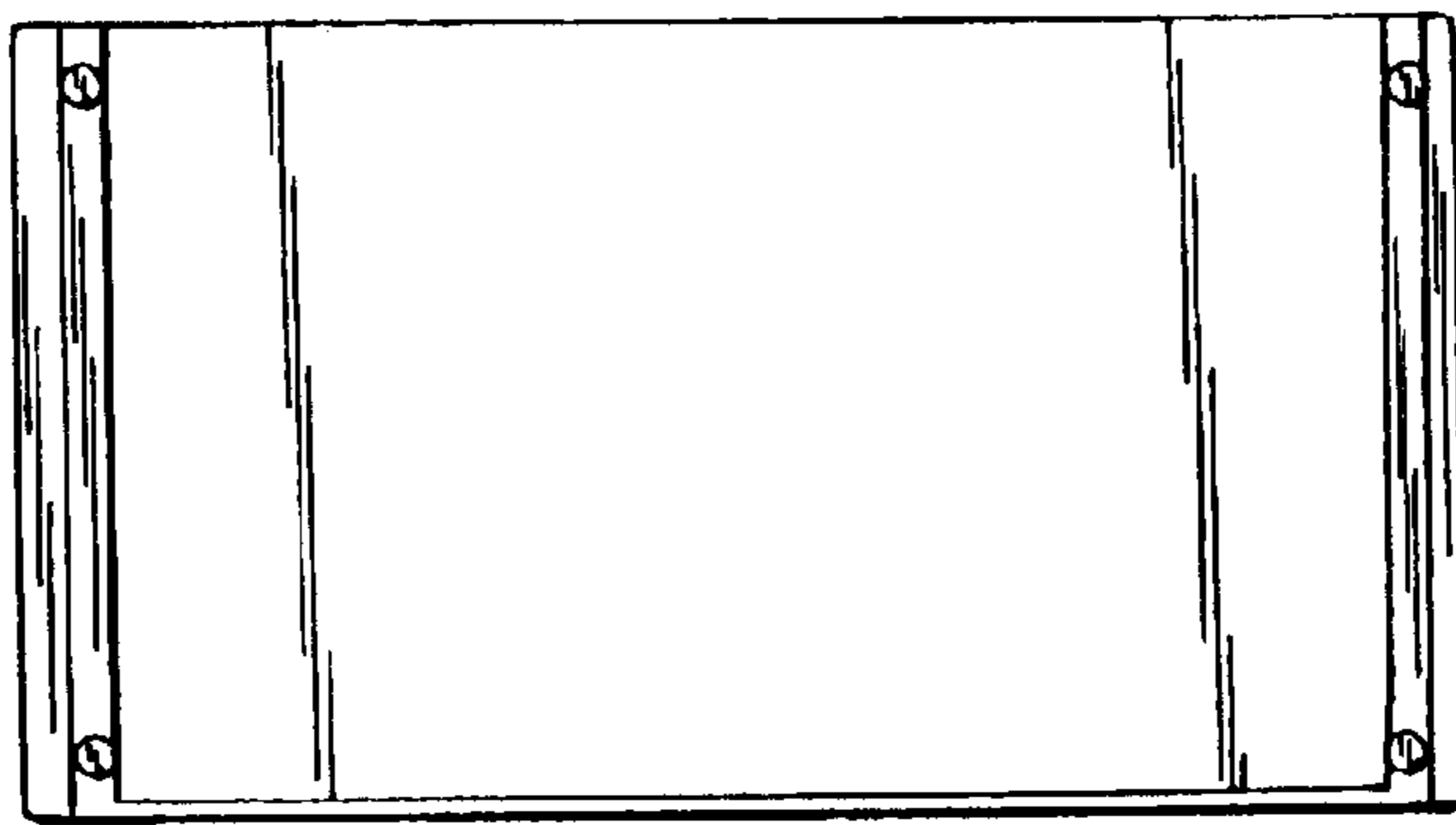


FIG. 14