



US00D491384S

(12) **United States Design Patent**
Lenger

(10) **Patent No.:** **US D491,384 S**

(45) **Date of Patent:** **** Jun. 15, 2004**

(54) **LEANING BOOKCASE**

(75) **Inventor:** **Sidney A. Lenger**, Kernersville, NC (US)

(73) **Assignee:** **American Signature, Inc.**, Columbus, OH (US)

(**) **Term:** **14 Years**

(21) **Appl. No.:** **29/186,183**

(22) **Filed:** **Jul. 10, 2003**

(51) **LOC (7) Cl.** **06-04**

(52) **U.S. Cl.** **D6/474**

(58) **Field of Search** D6/477-479, 474;
108/59, 60, 91, 92, 147.11, 149; 211/153,
186, 188, 194; 312/9.1, 7.2, 223.1

(56) **References Cited**

U.S. PATENT DOCUMENTS

D109,291 S	*	4/1938	Beyrie	D6/473
D262,076 S	*	12/1981	Pracon	D6/407
D302,083 S	*	7/1989	Walter	D6/413
D364,763 S	*	12/1995	Sielaff	D6/479
D433,846 S	*	11/2000	Chang	D6/474
D459,117 S	*	6/2002	Singh	D6/474

OTHER PUBLICATIONS

Vitrashop Catalog, Leaning Shelves, Innovations '87 Box, Dec. 1987.*

Crate and Barrel Catalog, Leaning Bookcase, p. 36, Fall 2002.*

Spiegel Catalog, Picket Fence Shelf, p. 390, Spr. Sum. 2000.*

* cited by examiner

Primary Examiner—Cathron Brooks

(74) *Attorney, Agent, or Firm*—Wood, Herron & Evans, L.L.P.

(57) **CLAIM**

The ornamental design for the leaning bookcase, as shown and described.

DESCRIPTION

FIG. 1 is a perspective view of the front right side and top of a leaning bookcase;

FIG. 2 is a front elevational view thereof;

FIG. 3 is a right-side elevational view thereof;

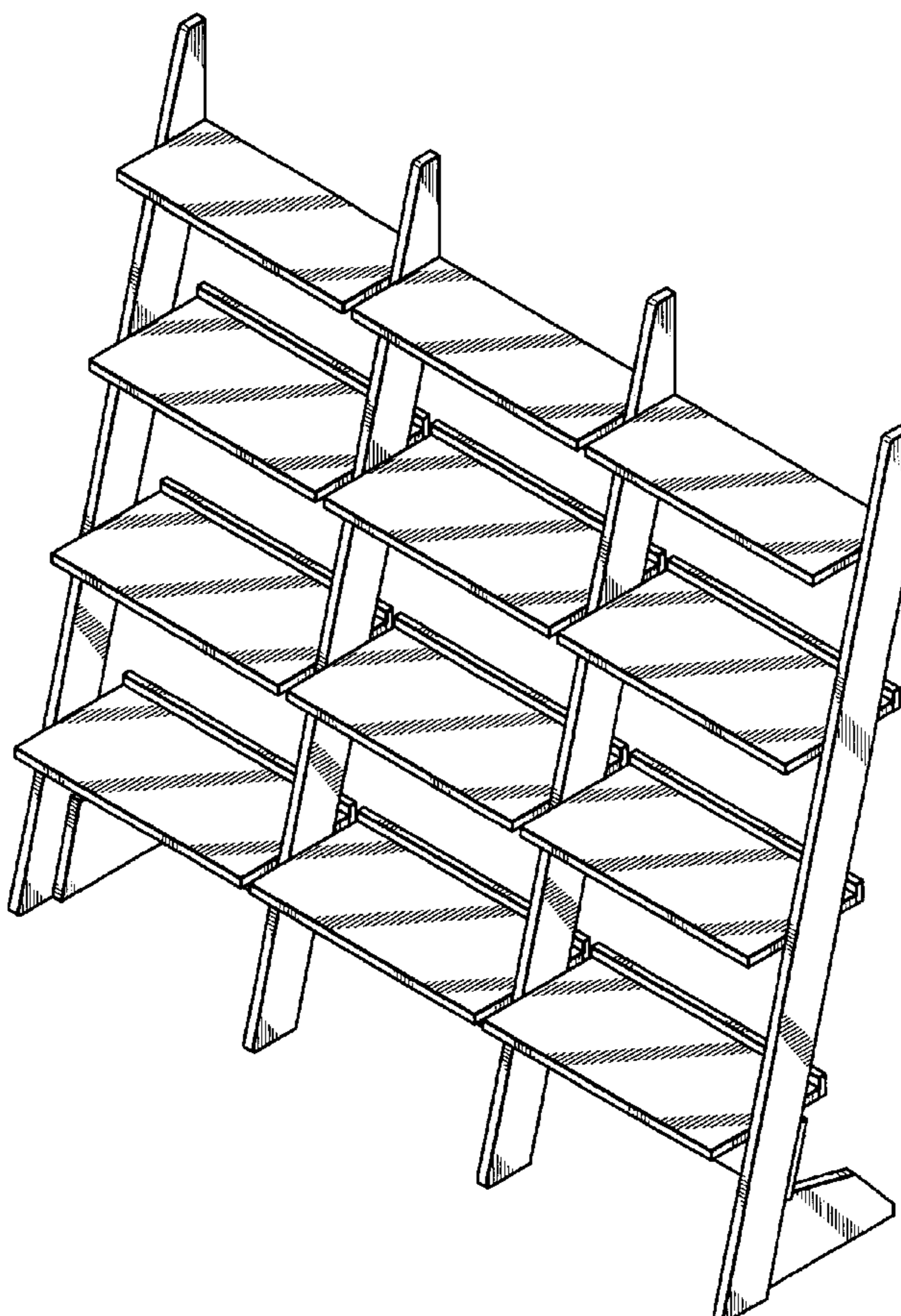
FIG. 4 is a rear elevational view thereof;

FIG. 5 is a left-side elevational view thereof;

FIG. 6 is a top plan view thereof; and,

FIG. 7 is a bottom plan view thereof.

1 Claim, 4 Drawing Sheets



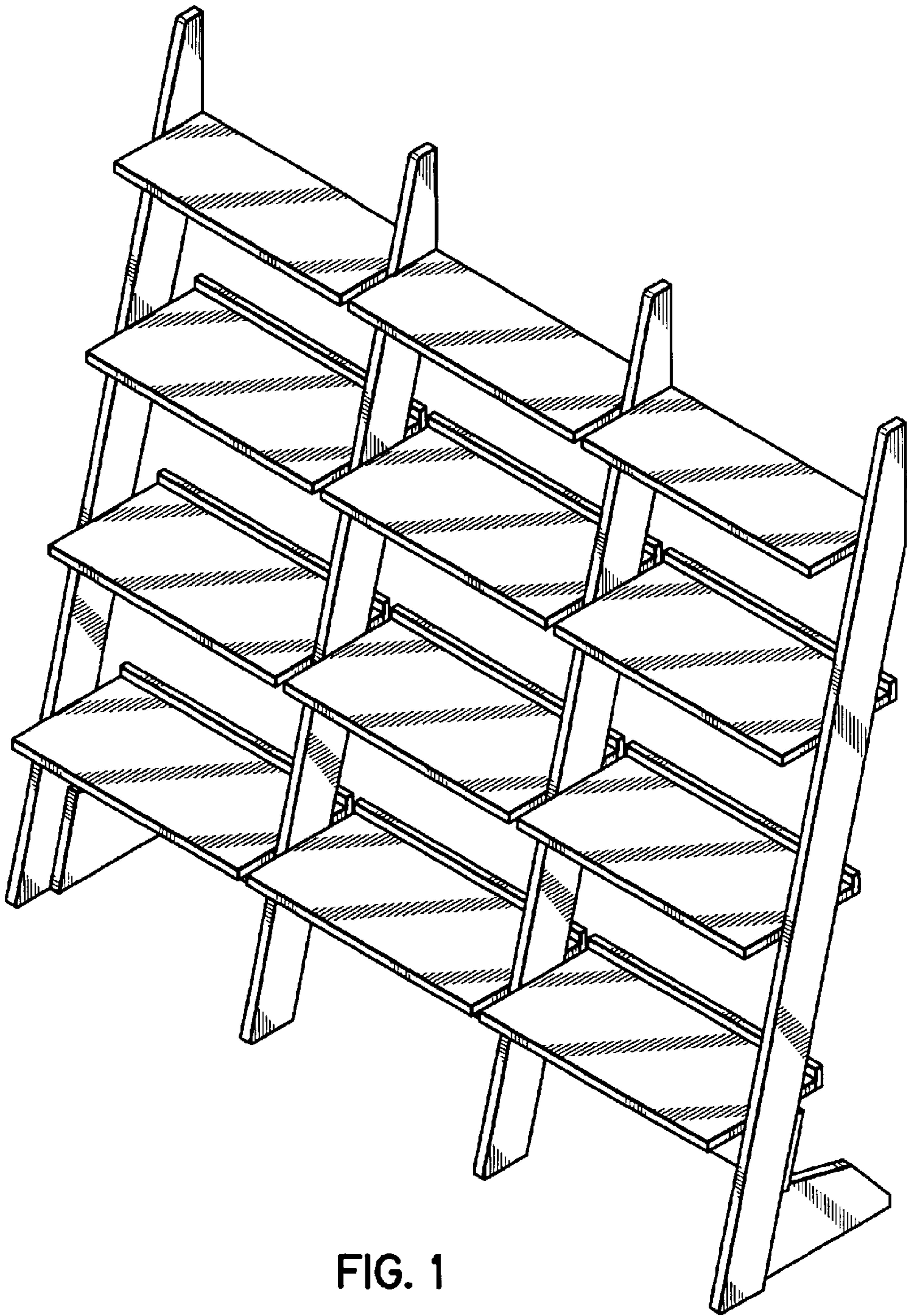


FIG. 1

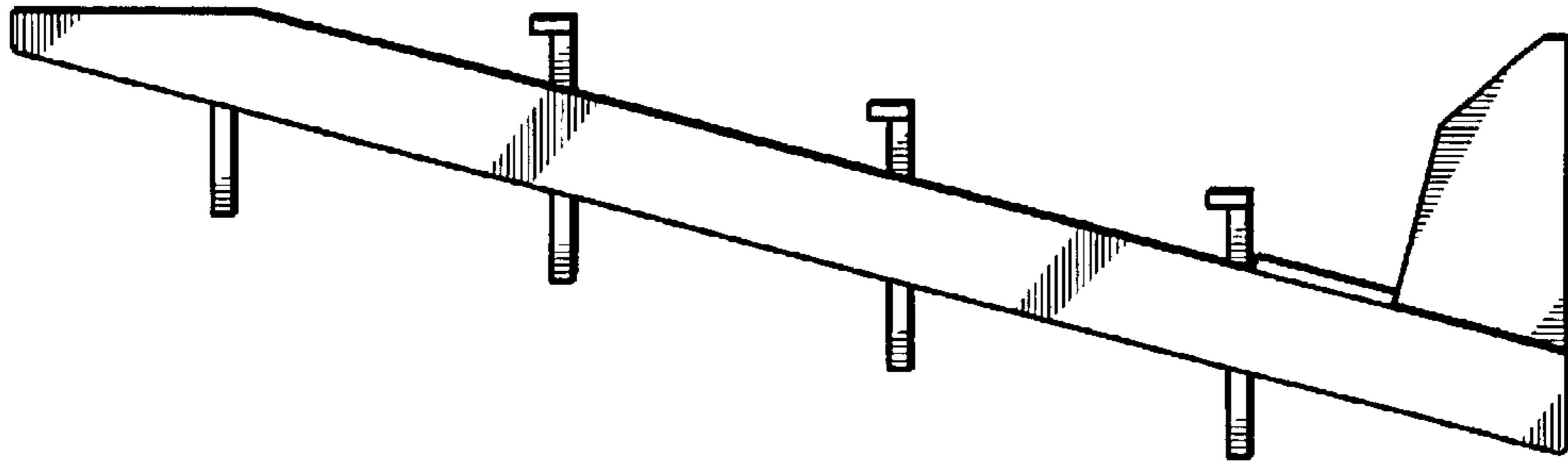


FIG. 3

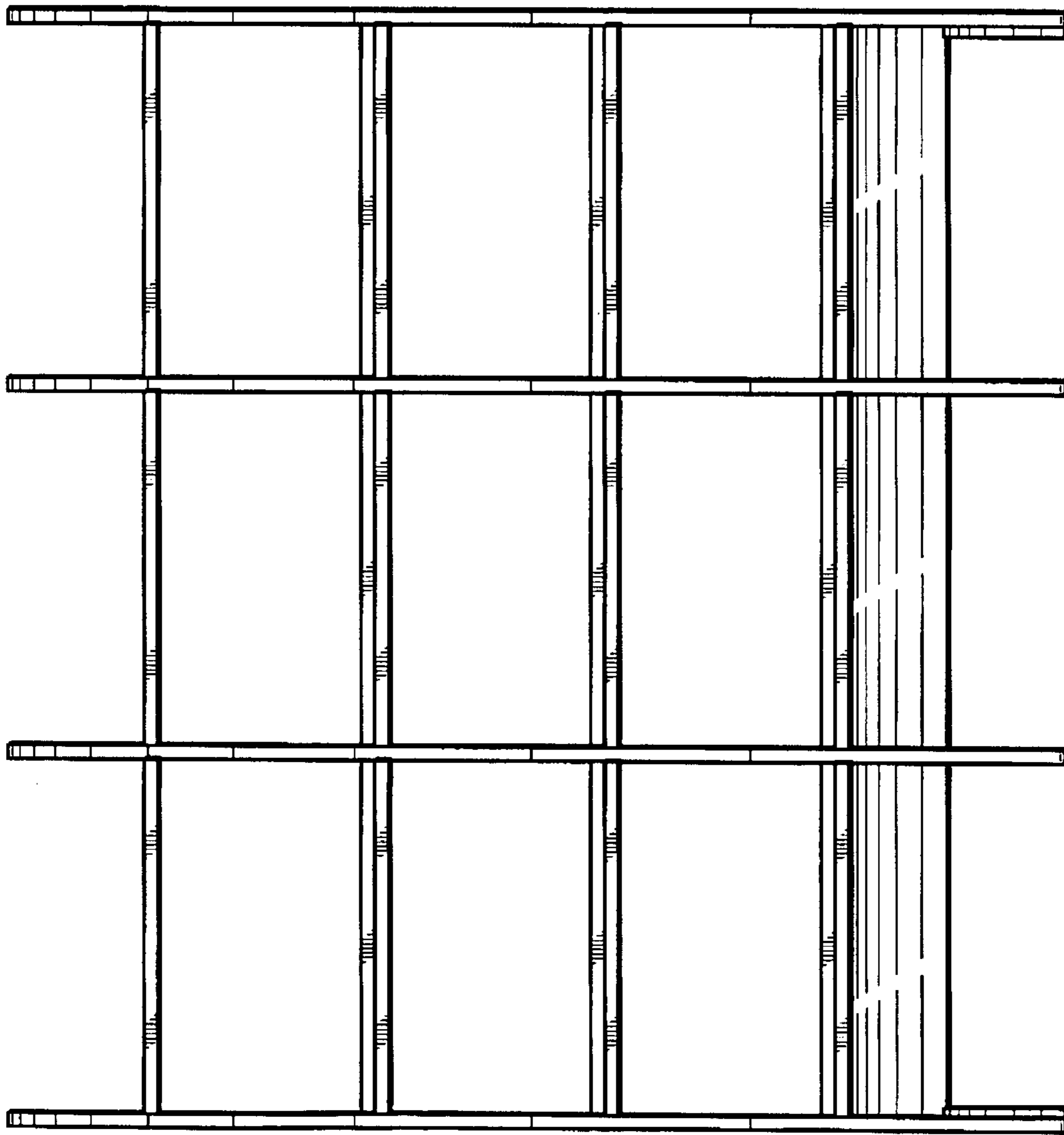


FIG. 2

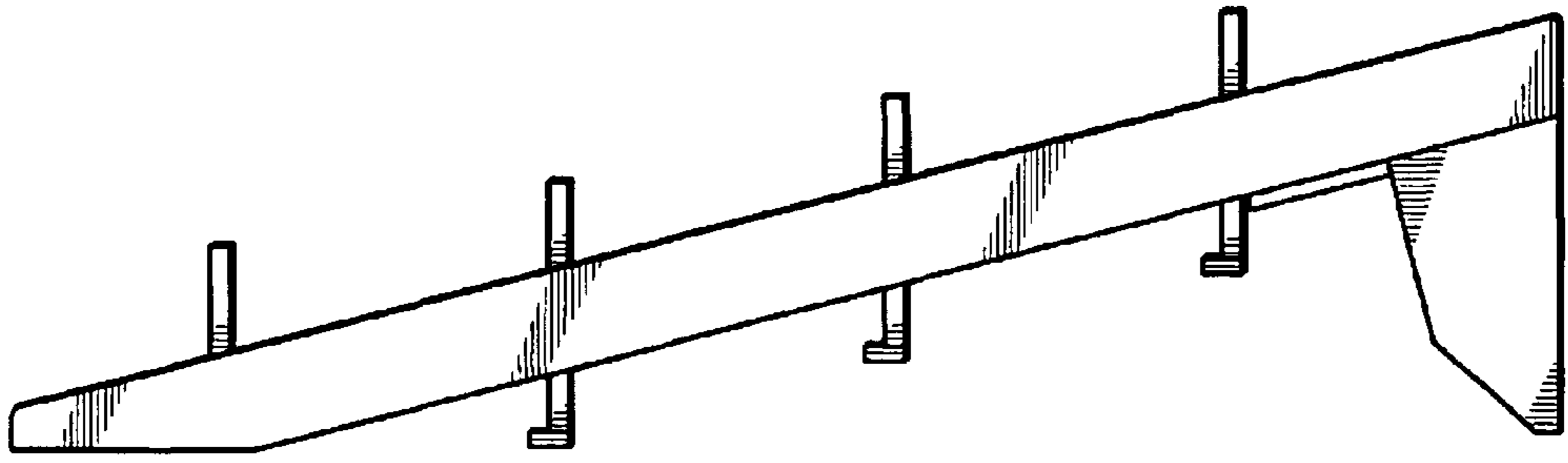


FIG. 5

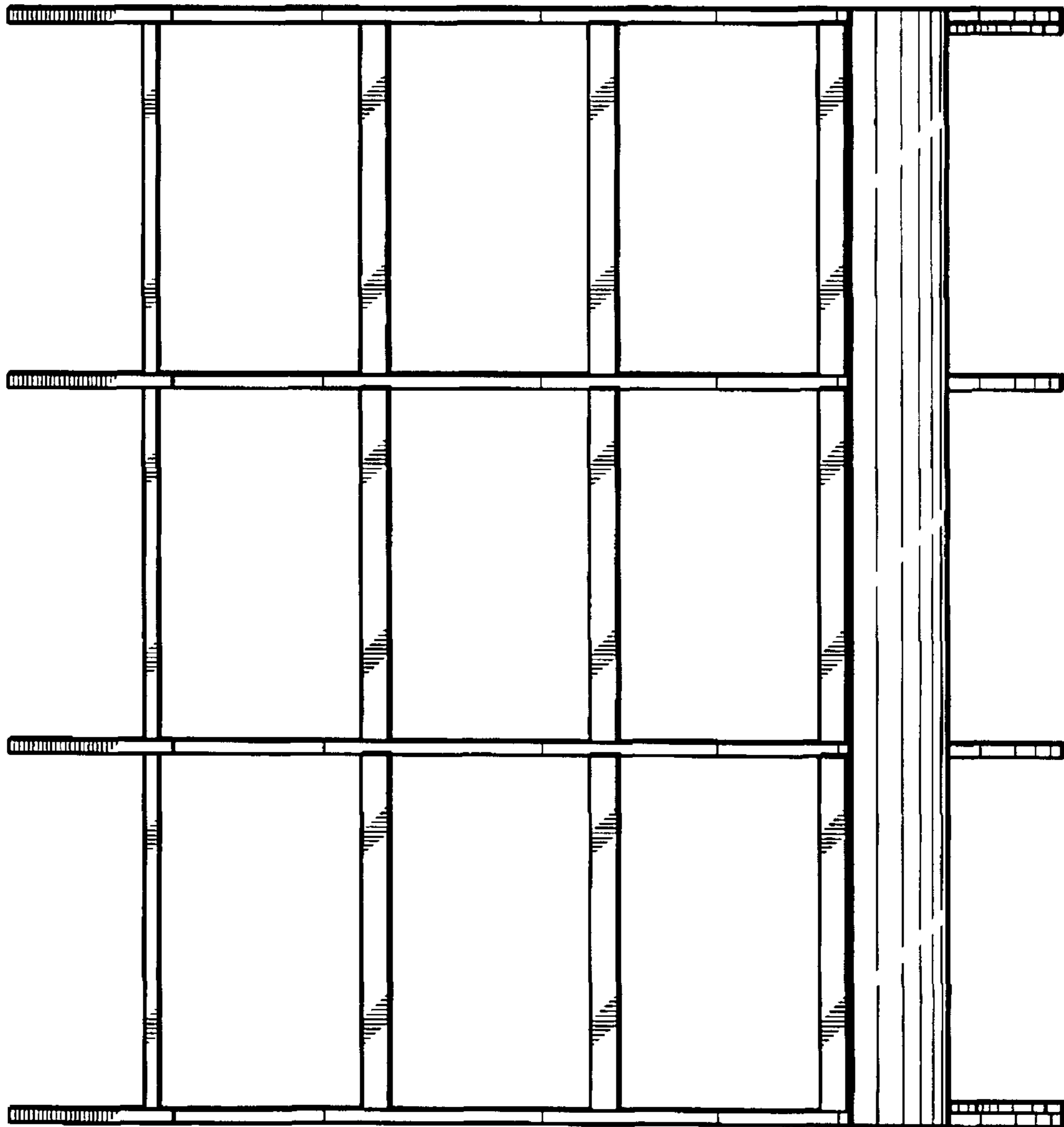


FIG. 4

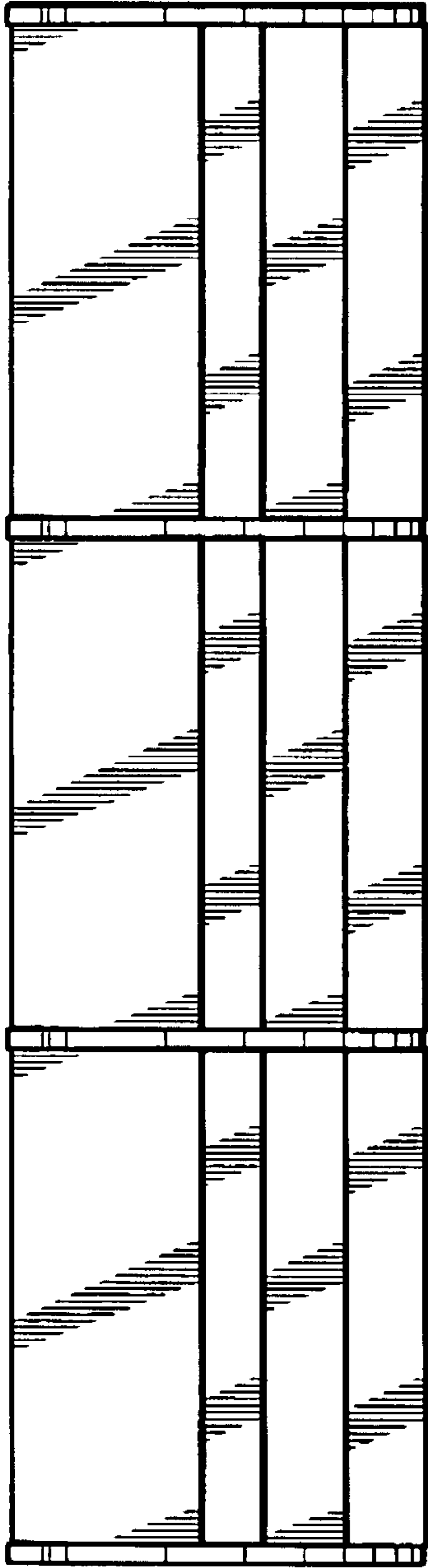


FIG. 6

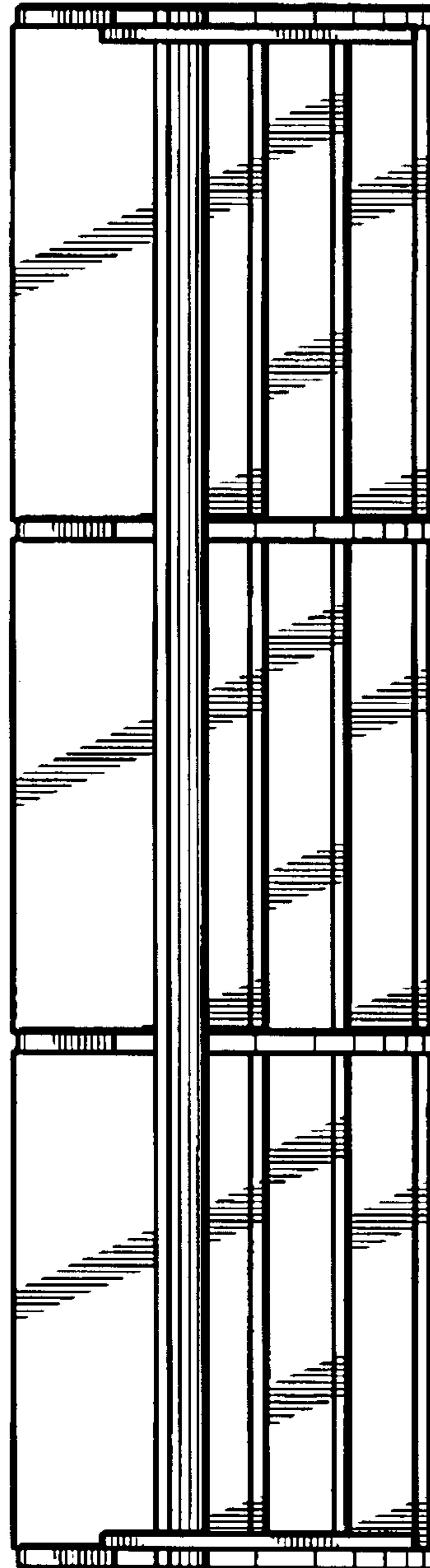


FIG. 7