



US00D491382S

(12) **United States Design Patent**  
**Caldwell**

(10) **Patent No.:** **US D491,382 S**

(45) **Date of Patent:** **\*\* Jun. 15, 2004**

(54) **CHAIR**

(76) Inventor: **John W. Caldwell**, 1829 Warwick Rd.,  
San Marino, CA (US) 91108

(\*\*) Term: **14 Years**

(21) Appl. No.: **29/183,907**

(22) Filed: **Jun. 18, 2003**

(51) **LOC (7) Cl.** ..... **06-01**

(52) **U.S. Cl.** ..... **D6/379; D6/375**

(58) **Field of Search** ..... **D6/334, 369, 370,**  
**D6/374, 375, 376, 379, 500, 501, 502**

(56) **References Cited**

**U.S. PATENT DOCUMENTS**

D308,305 S	*	6/1990	Snodgrass	.....	D6/379
D312,005 S	*	11/1990	Snodgrass	.....	D6/379
D362,557 S	*	9/1995	Escalona	.....	D8/375
D364,973 S	*	12/1995	de Reuver	.....	D6/375
D409,408 S	*	5/1999	James et al.	.....	D6/379
D446,959 S	*	8/2001	Cramer	.....	D6/379
D464,494 S	*	10/2002	Gasca Burges	.....	D6/374
D478,429 S	*	8/2003	Caldwell	.....	D6/369

\* cited by examiner

*Primary Examiner*—Gary D. Watson

(74) *Attorney, Agent, or Firm*—Donald D. Mon

(57) **CLAIM**

The ornamental design for a chair, as shown and described.

**DESCRIPTION**

FIG. 1 is a right hand side view of the chair;

FIG. 2 is a front view of the chair;

FIG. 3 is a rear view of the chair;

FIG. 4 is a left hand view of the chair;

FIG. 5 is a top view of the chair;

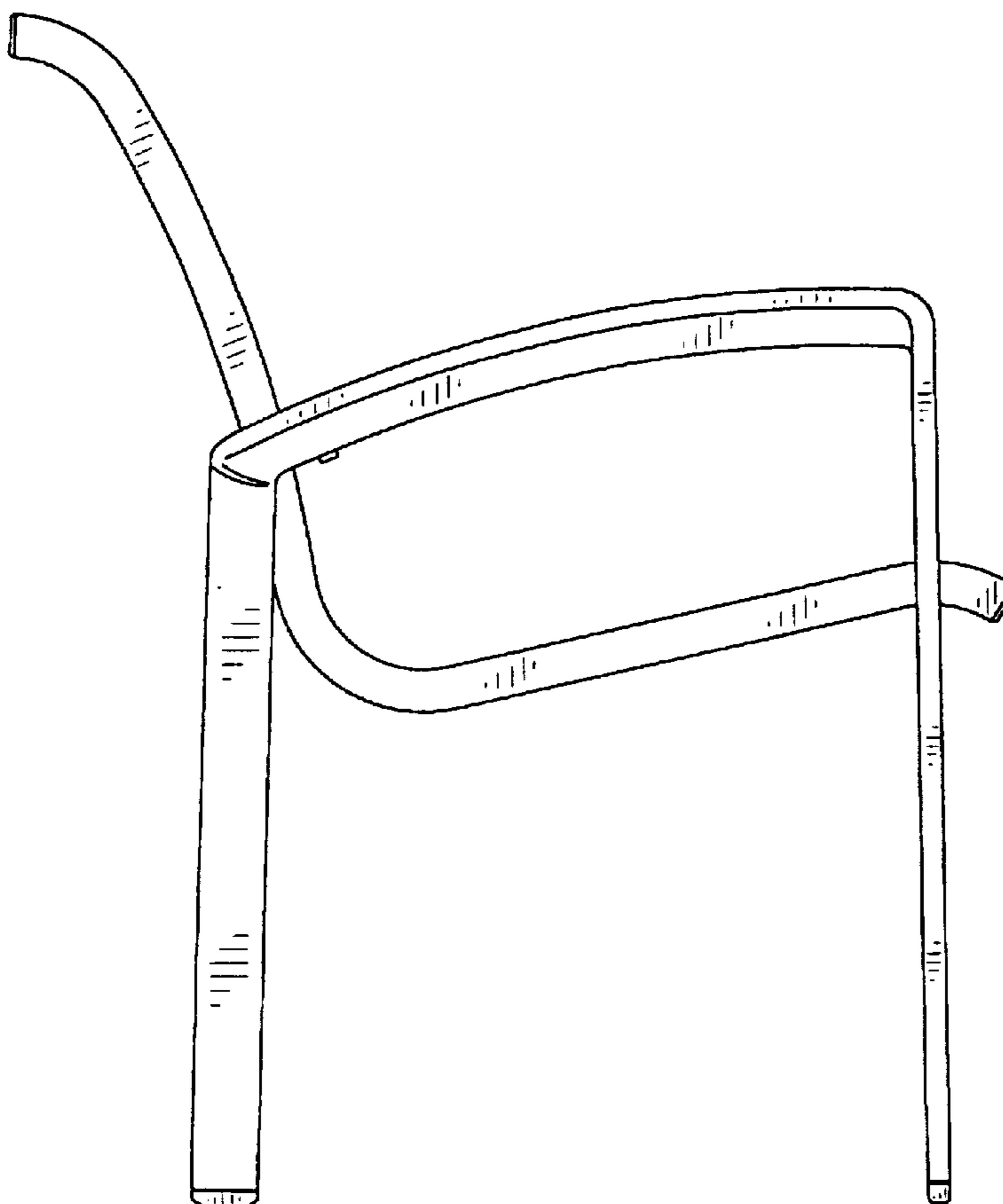
FIG. 6 is a bottom view of the chair;

FIG. 7 is an oblique rear quarter partial view of the chair;  
and,

FIG. 8 is a cross section taken at line 8—8 in FIG. 7 showing  
a cross-section of the arms of the chair.

The fragmented pattern shown on the seat and backrest is  
understood to repeat uniformly throughout the circum-  
scribed areas.

**1 Claim, 4 Drawing Sheets**



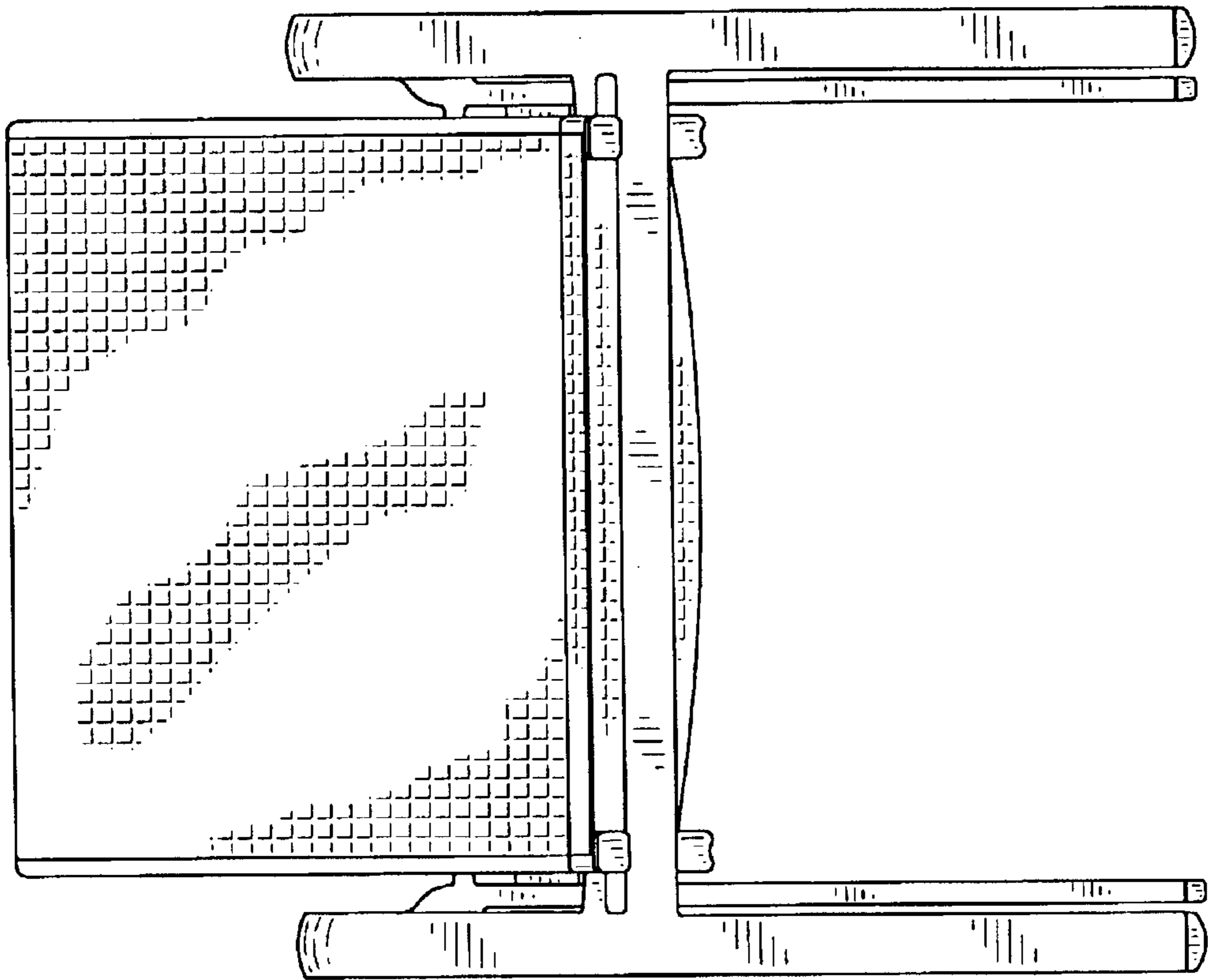


FIG. 2

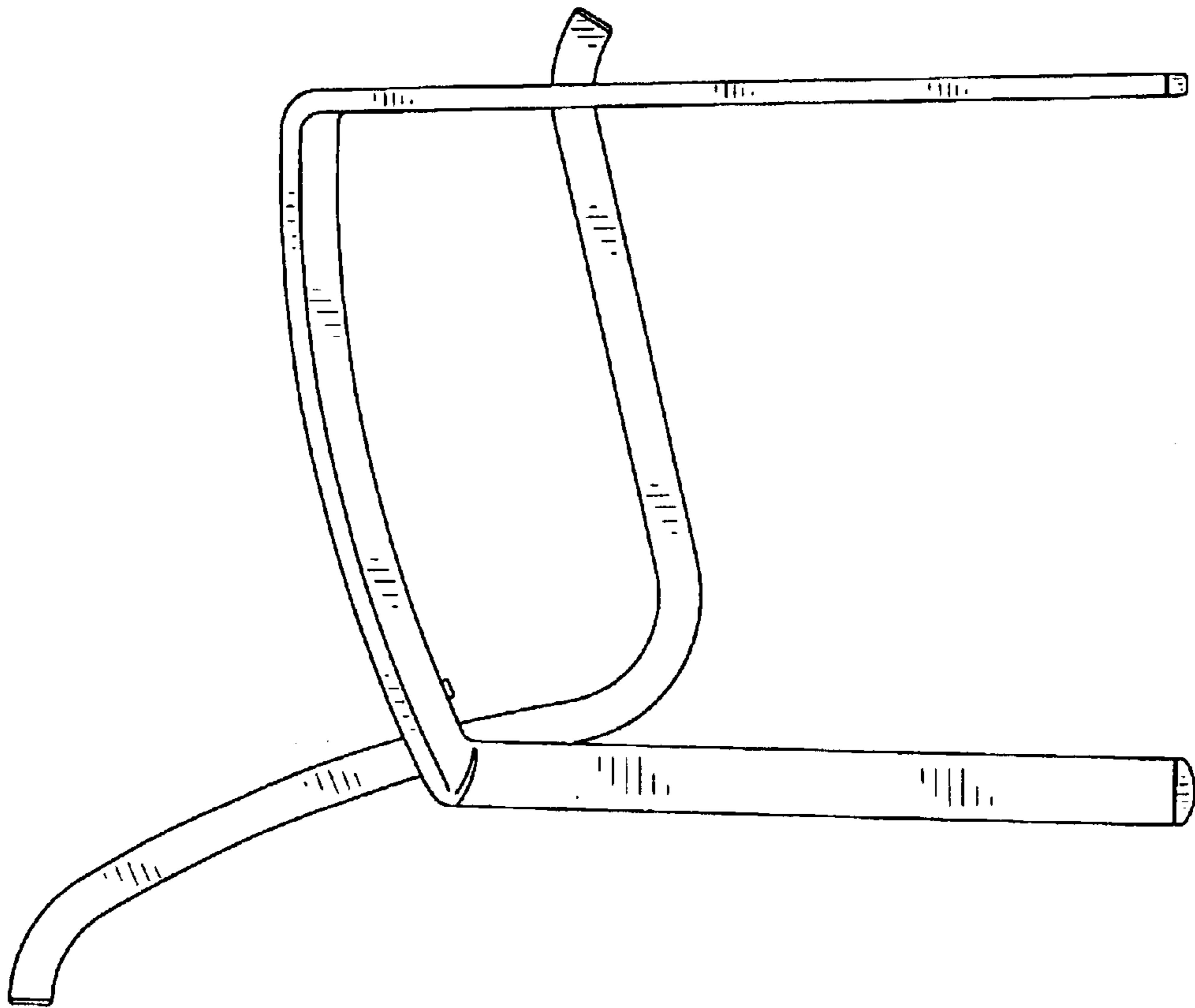


FIG. 1

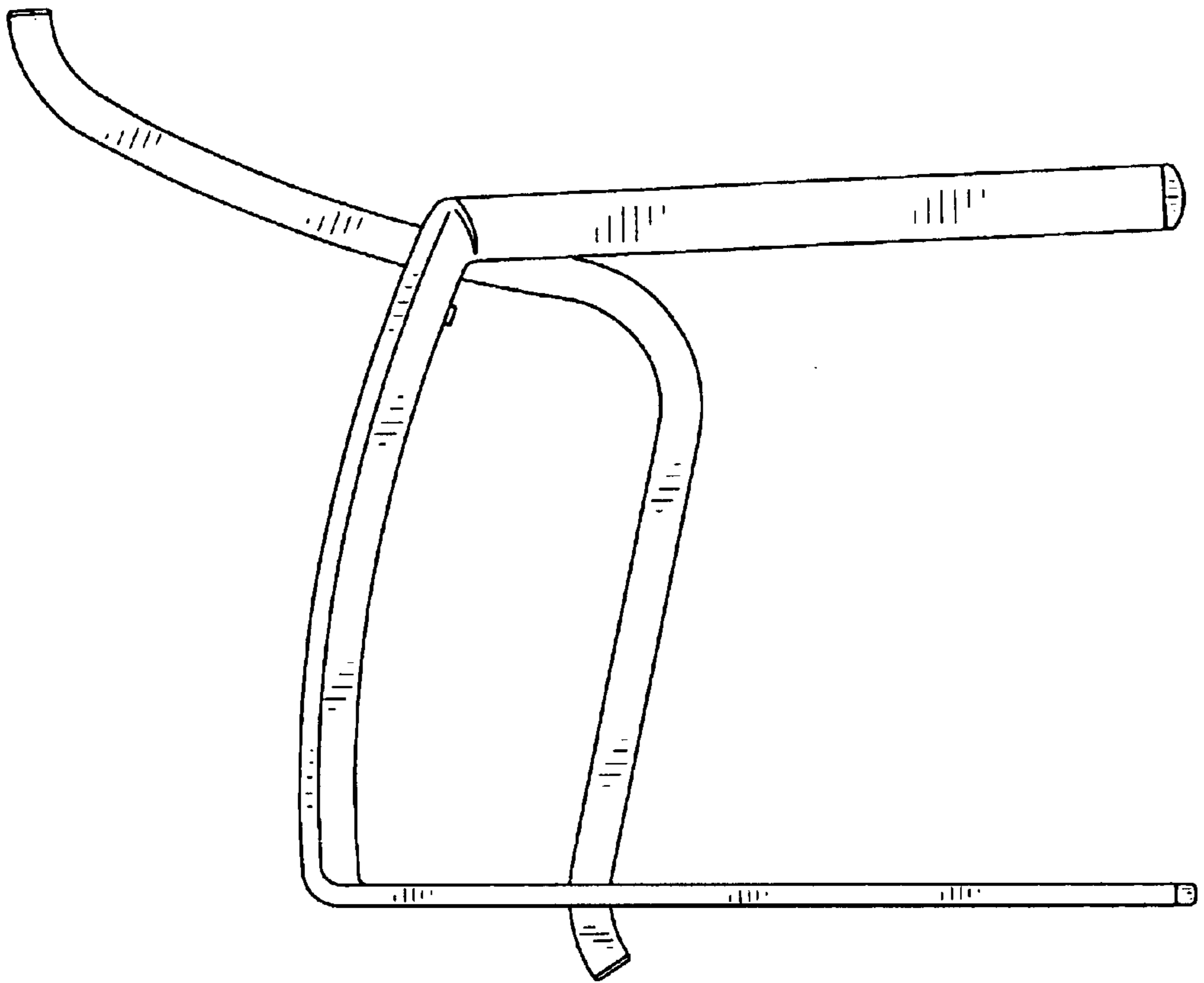


FIG. 4

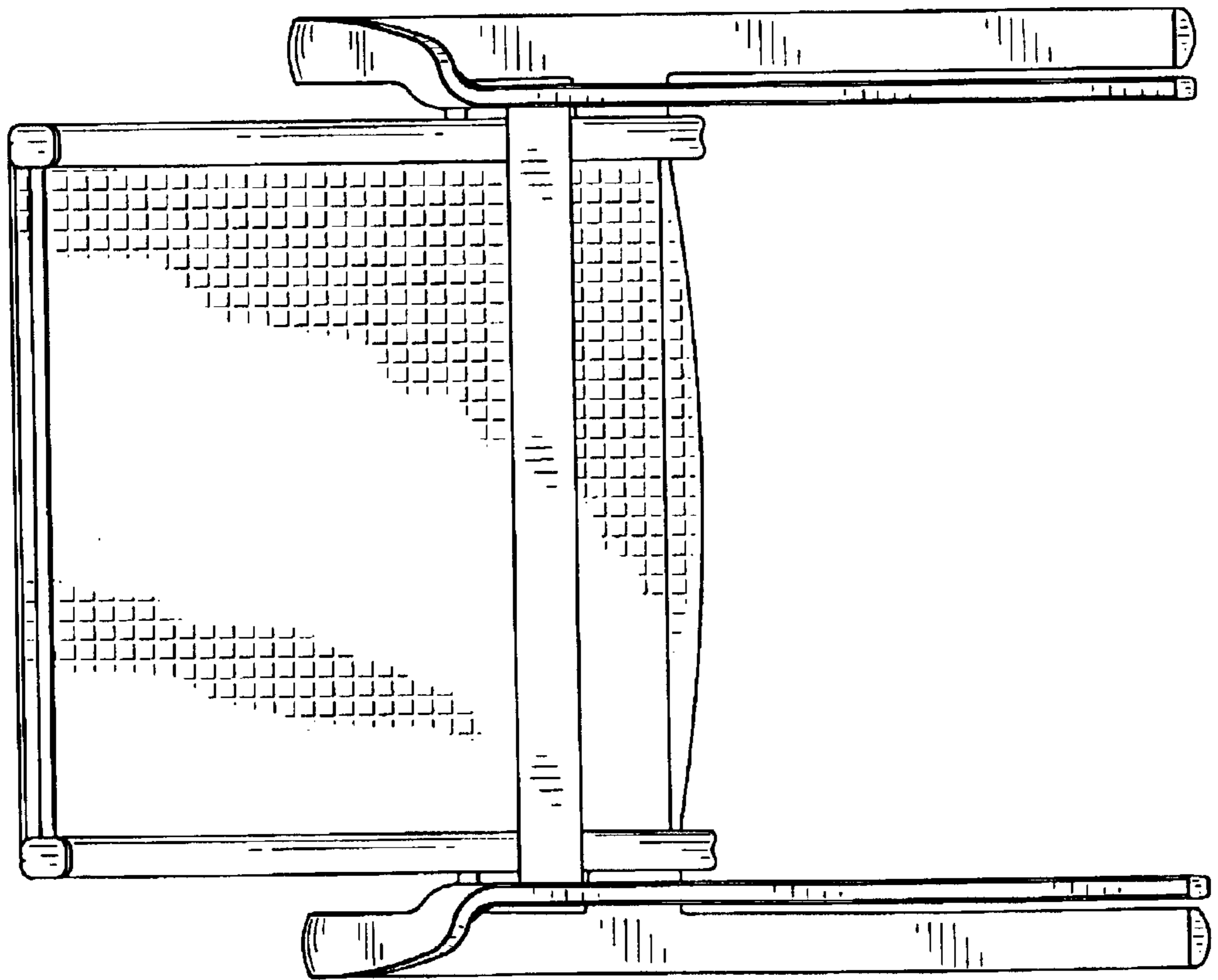


FIG. 3

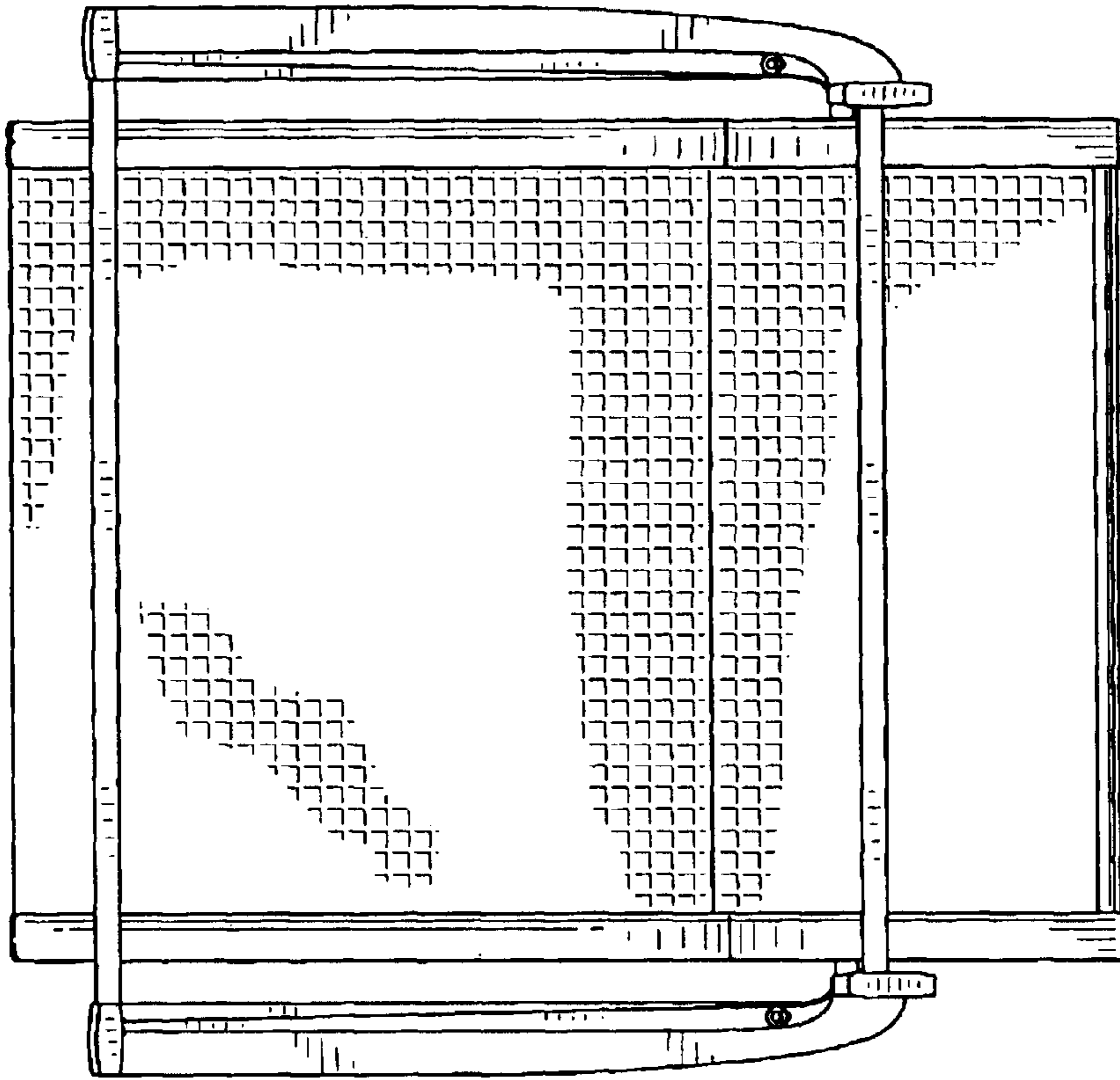


FIG. 6

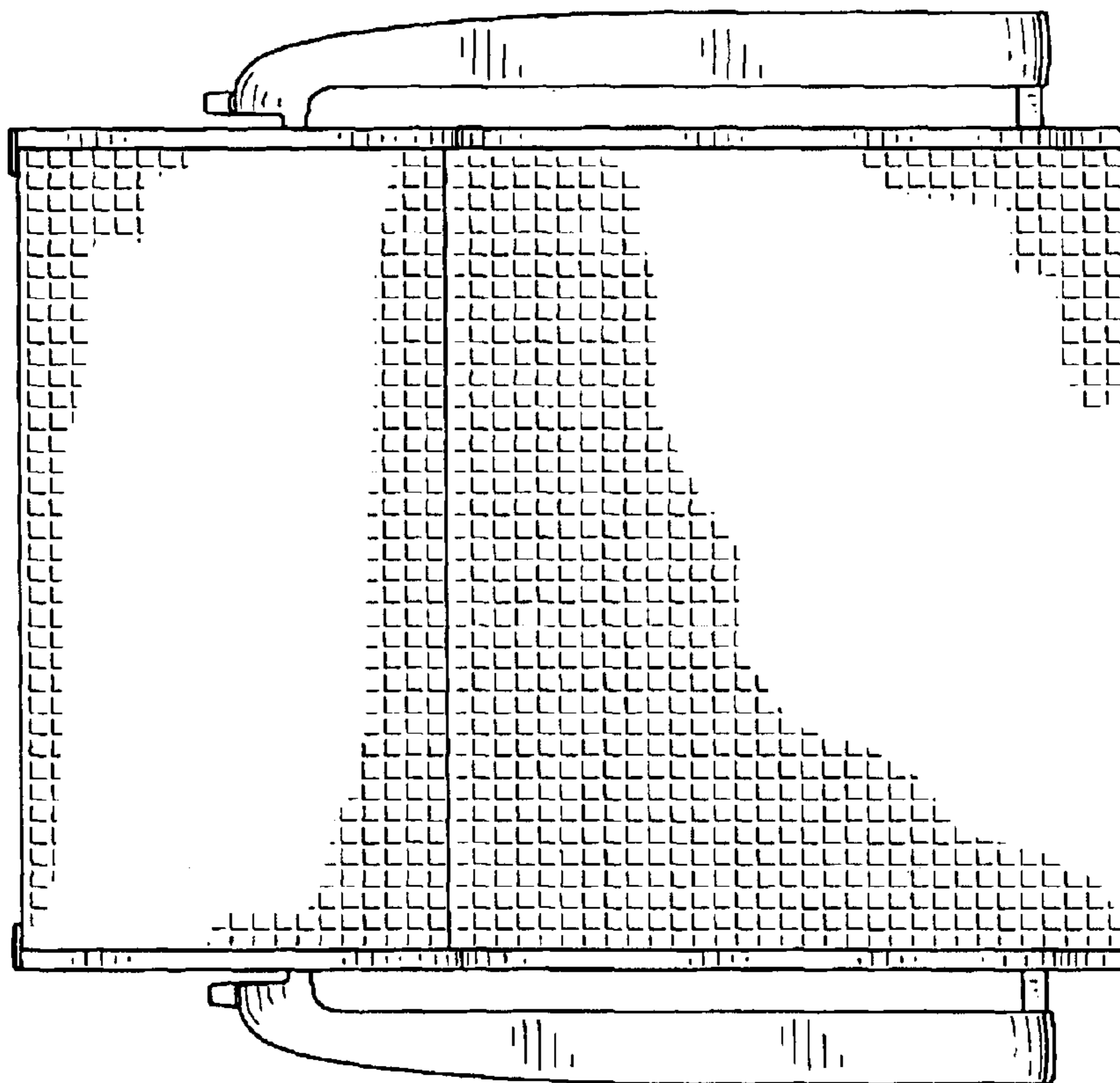


FIG. 5

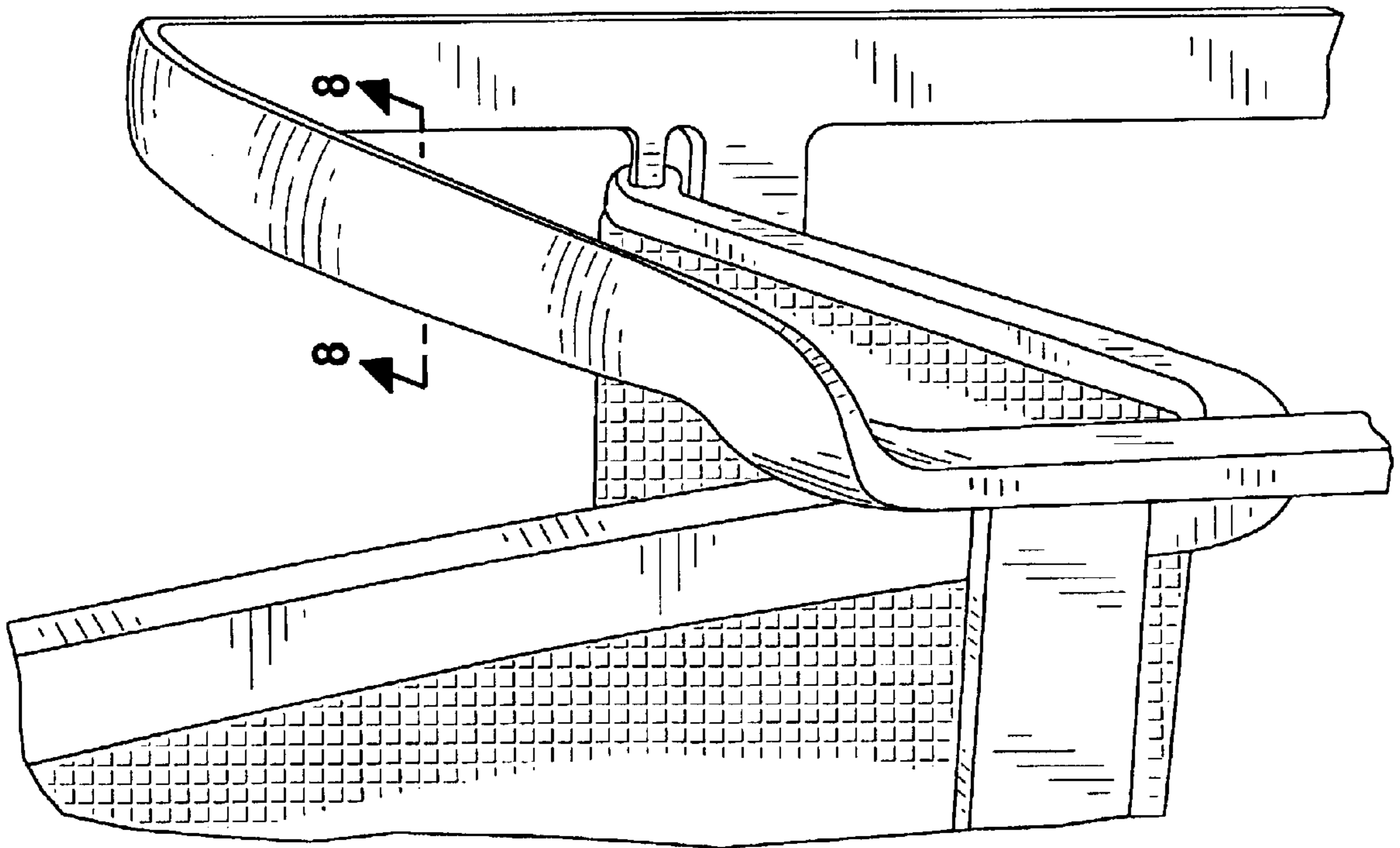


FIG. 7

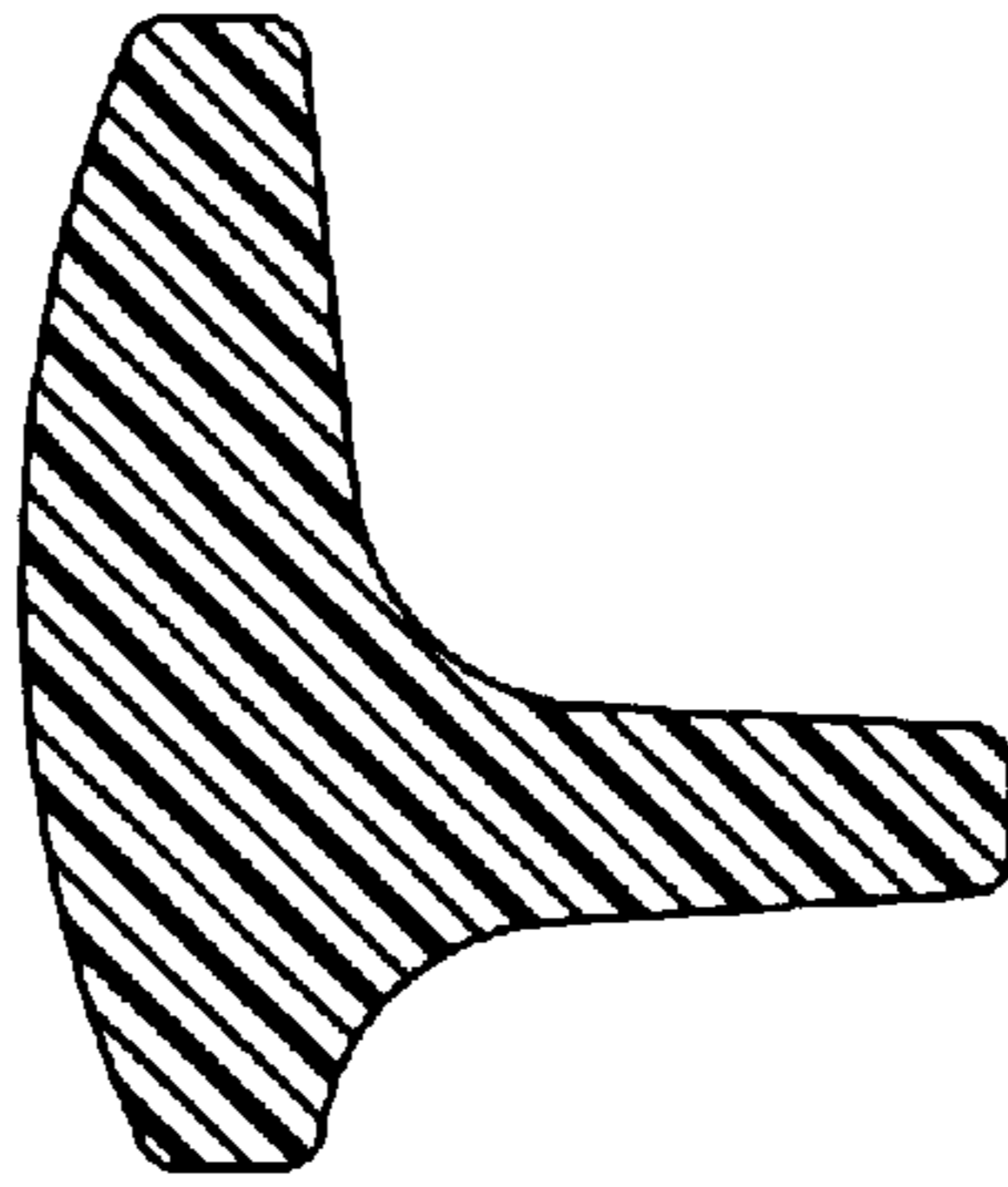


FIG. 8