



US00D491380S

(12) **United States Design Patent**  
**Park**

(10) **Patent No.:** **US D491,380 S**

(45) **Date of Patent:** **\*\* Jun. 15, 2004**

(54) **CHAIR**

(76) **Inventor:** **Hyuk-Koo Park**, 801-801  
Byucksan-Hansung Apt., 1267  
Kwonsun-Dong, Kwonsun-Gu,  
Suwon-Si, Gyunggi-Do (KR), 441-837

(\*\*) **Term:** **14 Years**

(21) **Appl. No.:** **29/182,421**

(22) **Filed:** **May 28, 2003**

(51) **LOC (7) Cl.** ..... **06-01**

(52) **U.S. Cl.** ..... **D6/373; D6/367**

(58) **Field of Search** ..... D6/334, 335, 367,  
D6/371, 373, 374, 380, 500, 501, 502;  
297/447.4, 451.3

(56) **References Cited**

**U.S. PATENT DOCUMENTS**

D149,798 S \* 6/1948 Crawford ..... D6/374  
D186,658 S \* 11/1959 Spilman ..... D6/374

3,695,693 A \* 10/1972 Acton et al. .... D6/377 X  
D284,048 S \* 6/1986 Ambasz et al. .... D6/380  
D352,614 S \* 11/1994 Adams ..... D6/370

\* cited by examiner

*Primary Examiner*—Gary D. Watson  
(74) *Attorney, Agent, or Firm*—GWiPS

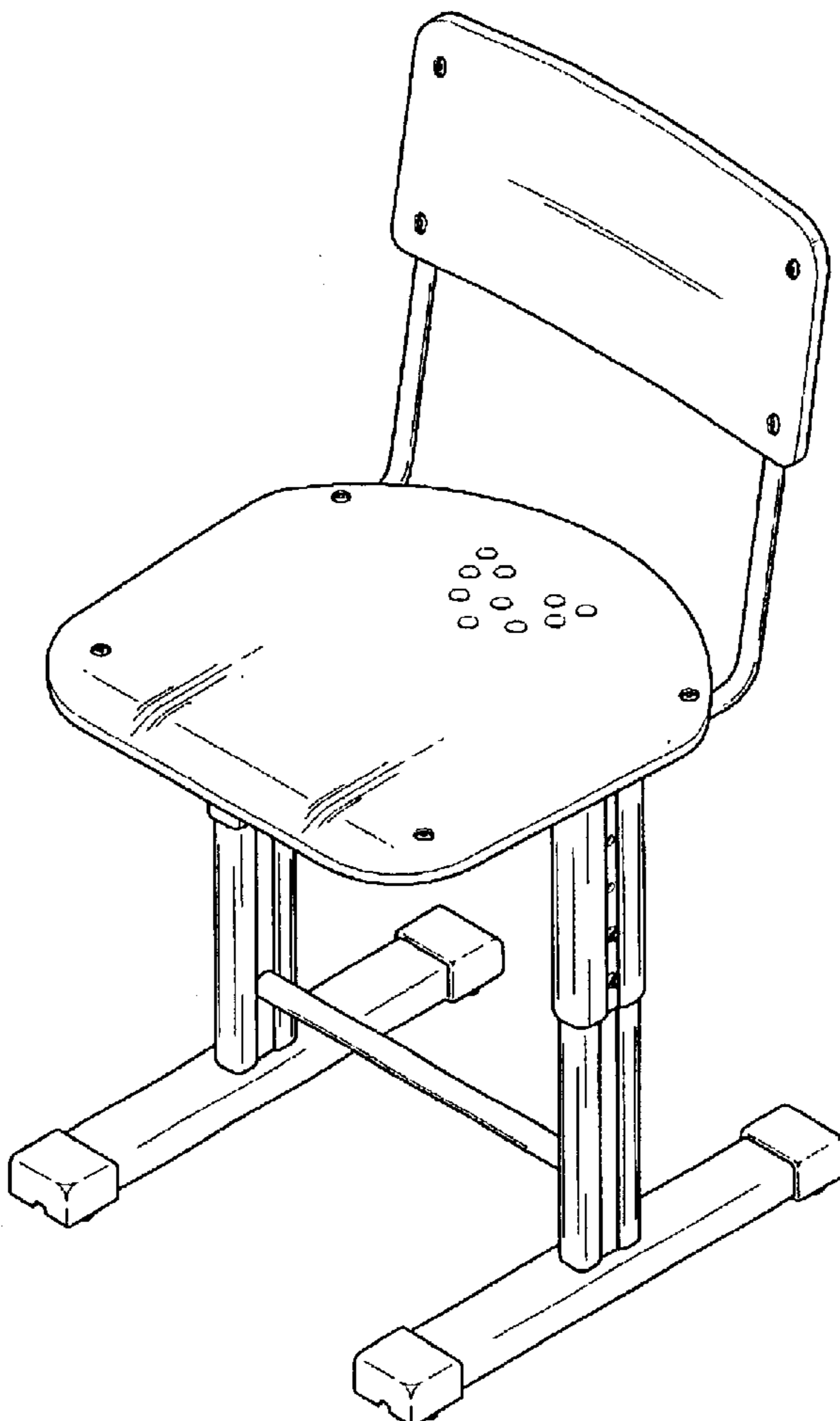
(57) **CLAIM**

The ornamental design for a chair, as shown and described.

**DESCRIPTION**

FIG. 1 is a perspective view of a chair of the present invention.  
FIG. 2 is a front view of a chair of the present invention.  
FIG. 3 is a rear view of a chair of the present invention.  
FIG. 4 is a left side view of a chair of the present invention.  
FIG. 5 is a right side view of a chair of the present invention.  
FIG. 6 is a plan view of a chair of the present invention; and,  
FIG. 7 is a bottom view of a chair of the present invention.

**1 Claim, 4 Drawing Sheets**



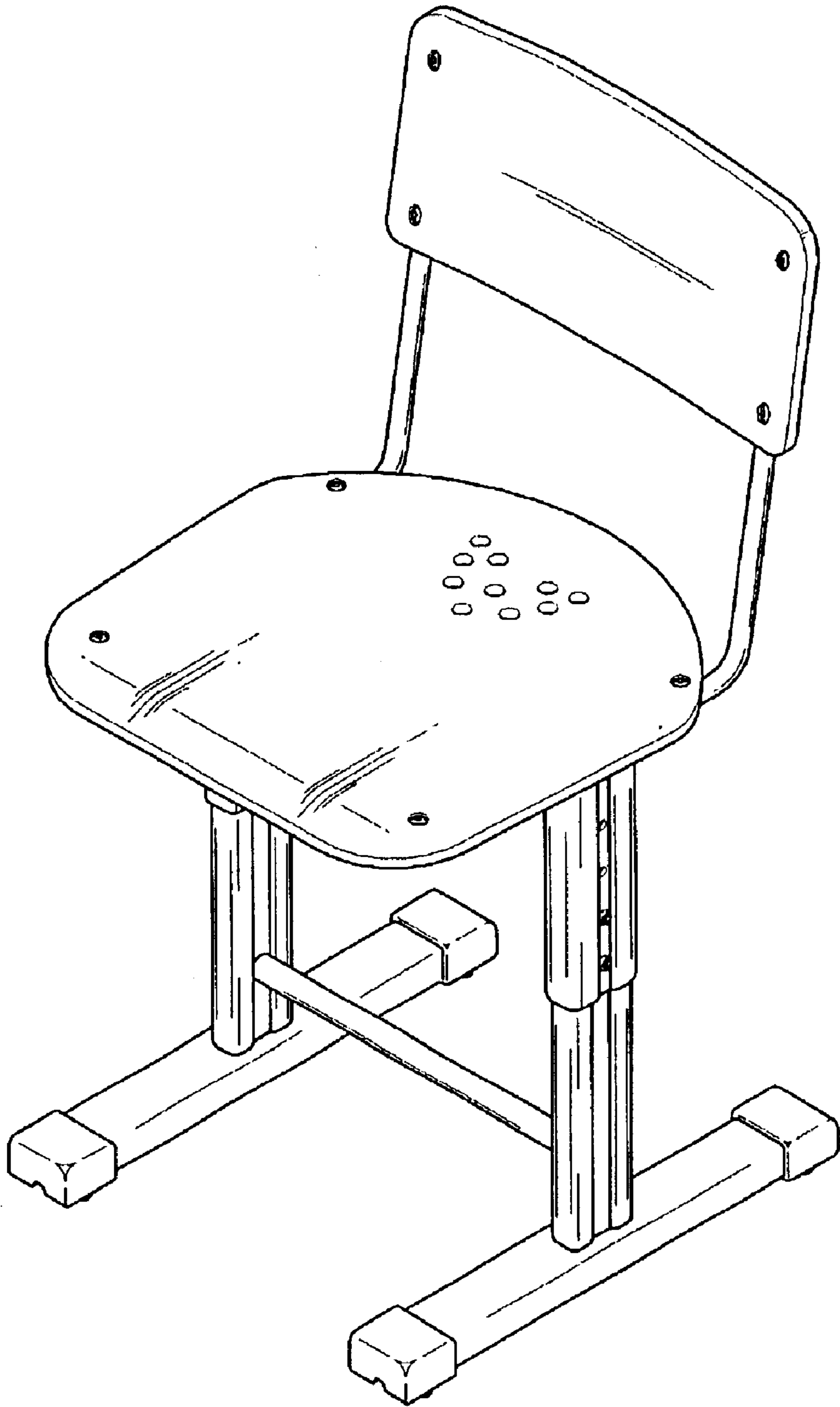


Fig. 1

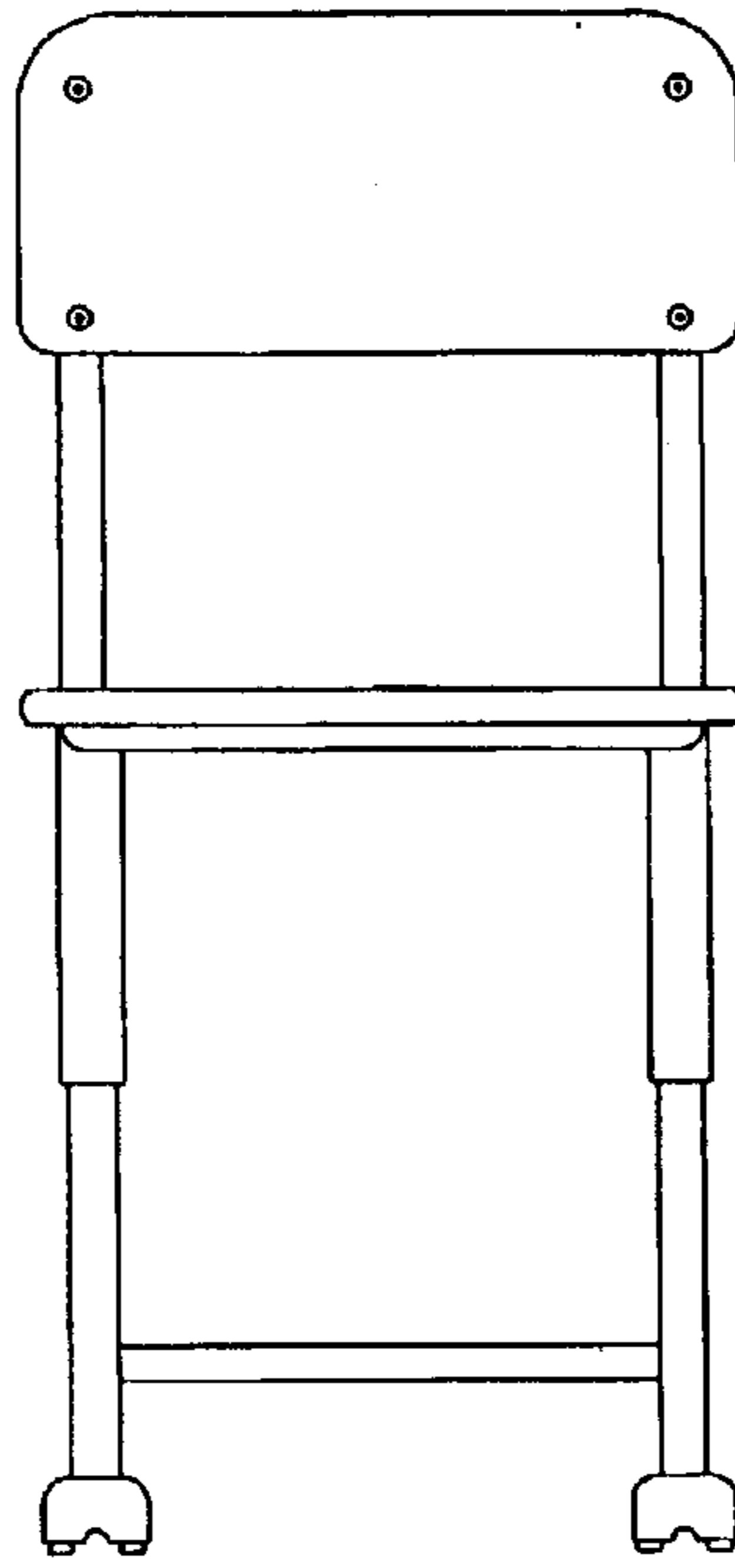


Fig. 2

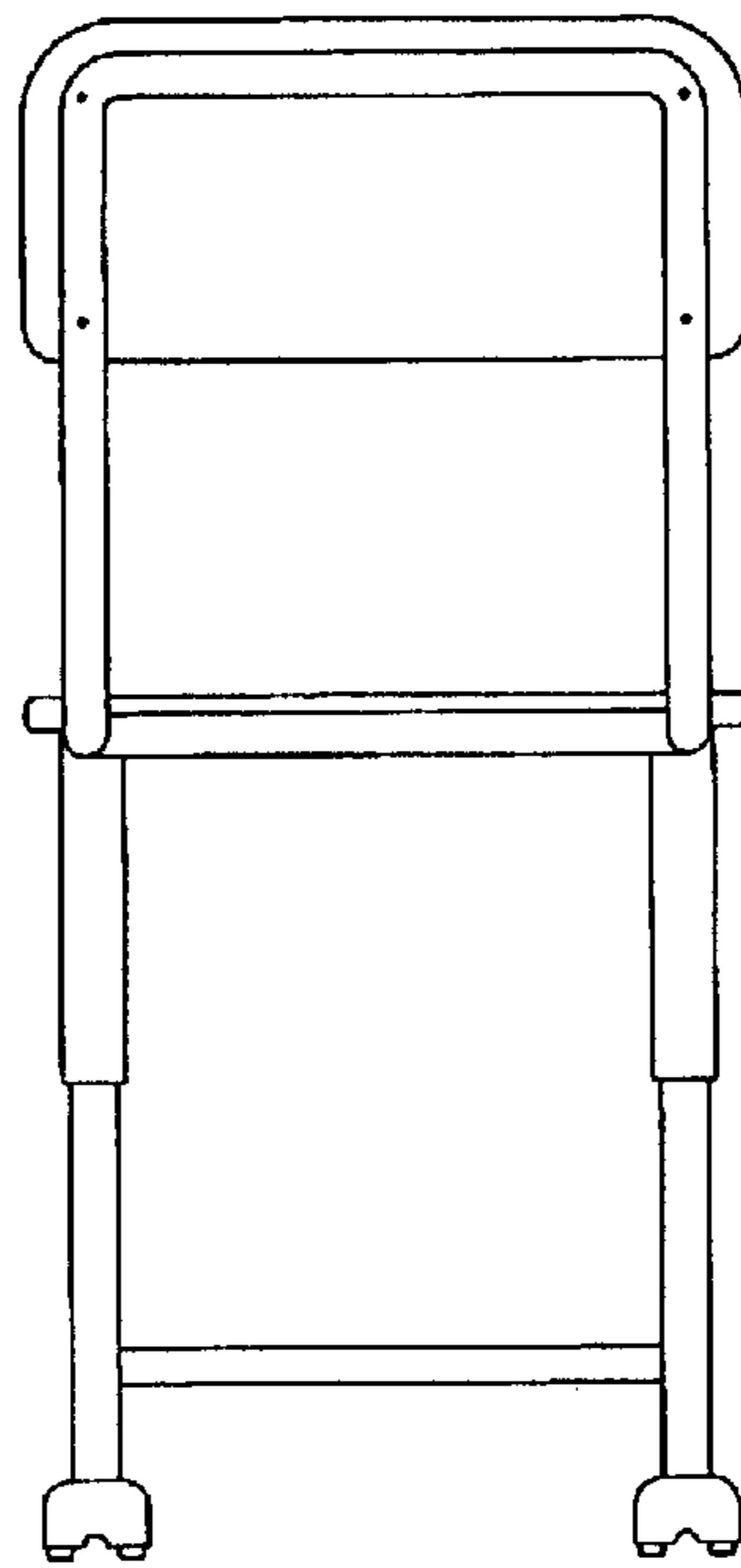


Fig. 3

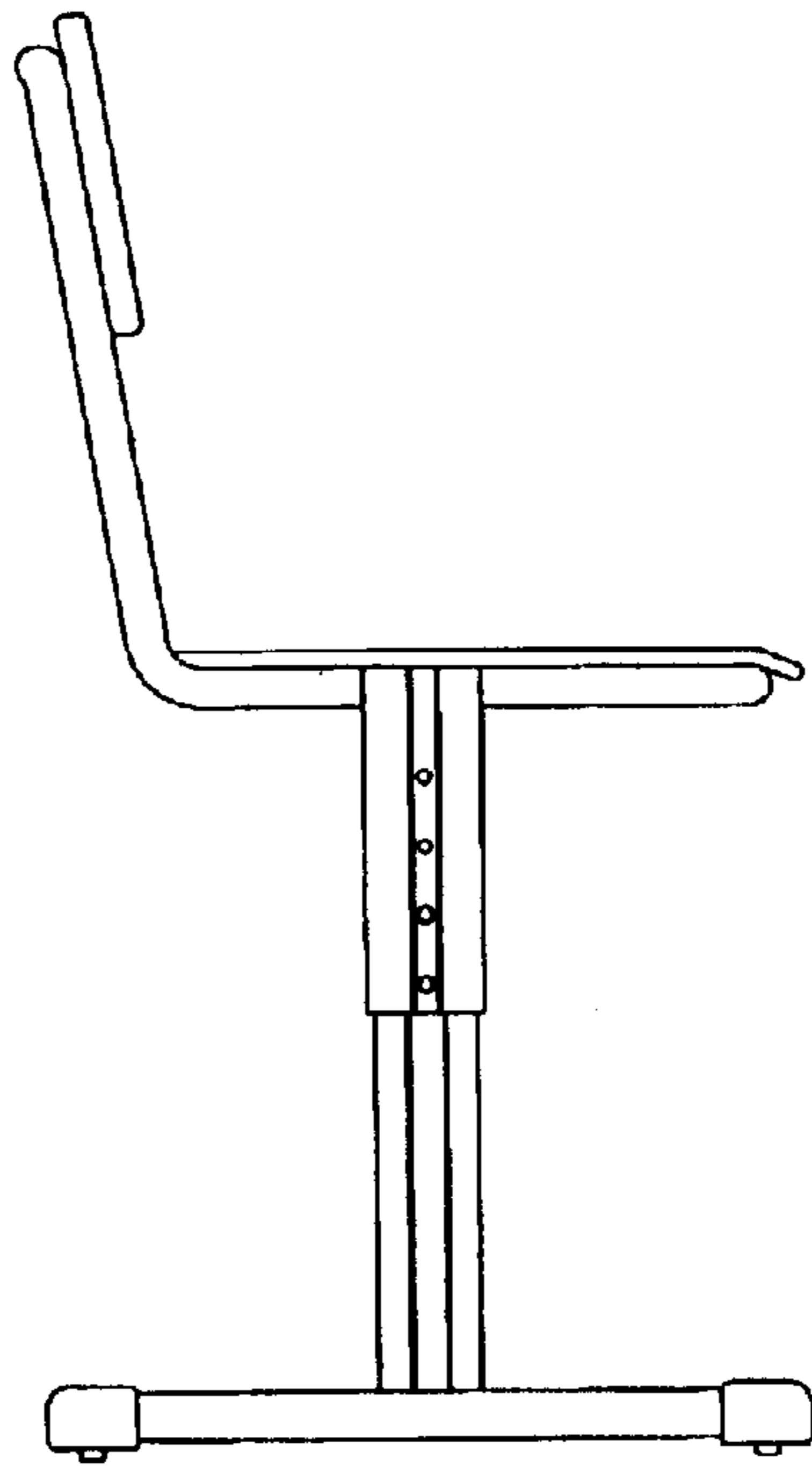


Fig. 4

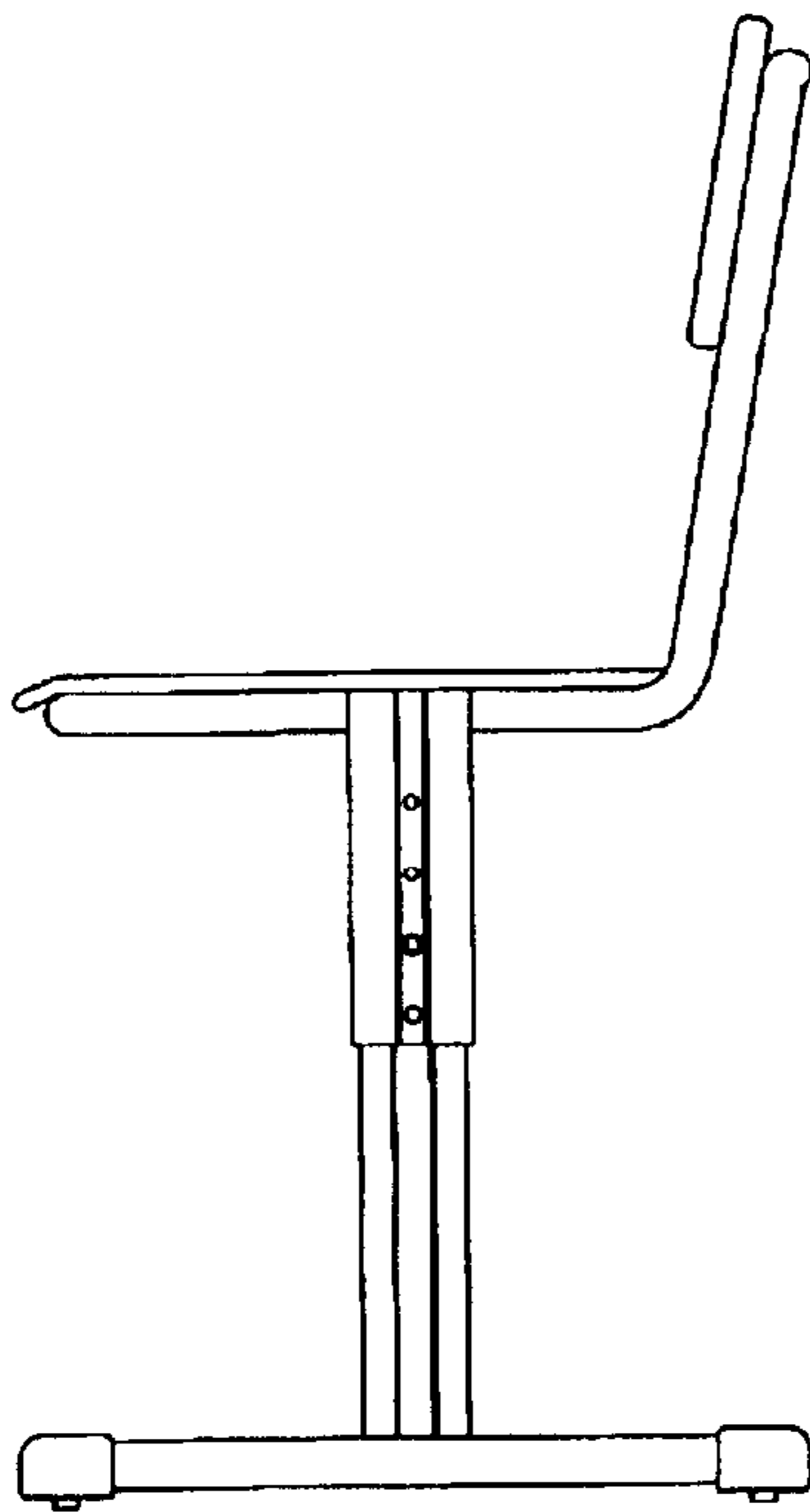


Fig. 5

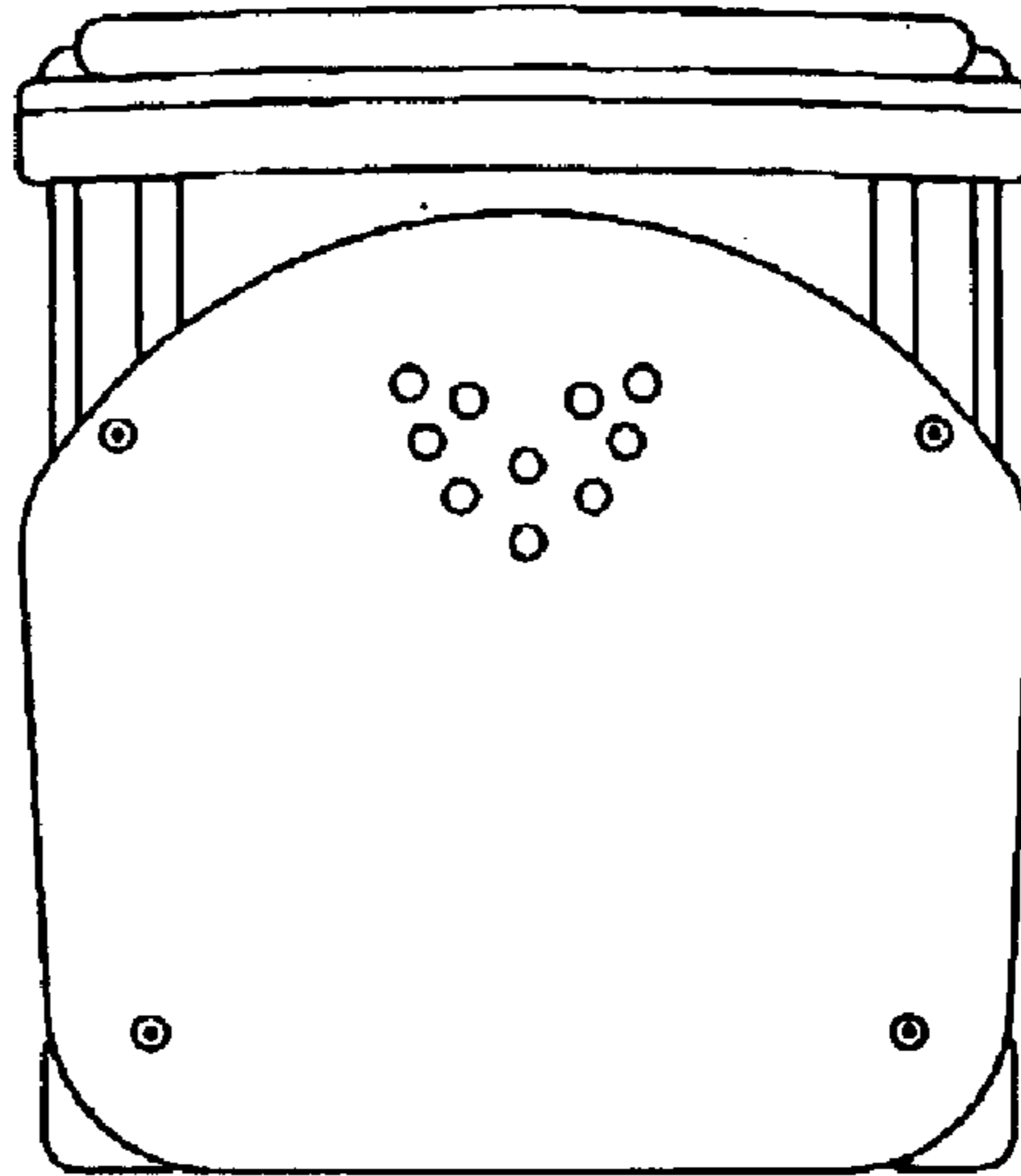


Fig. 6

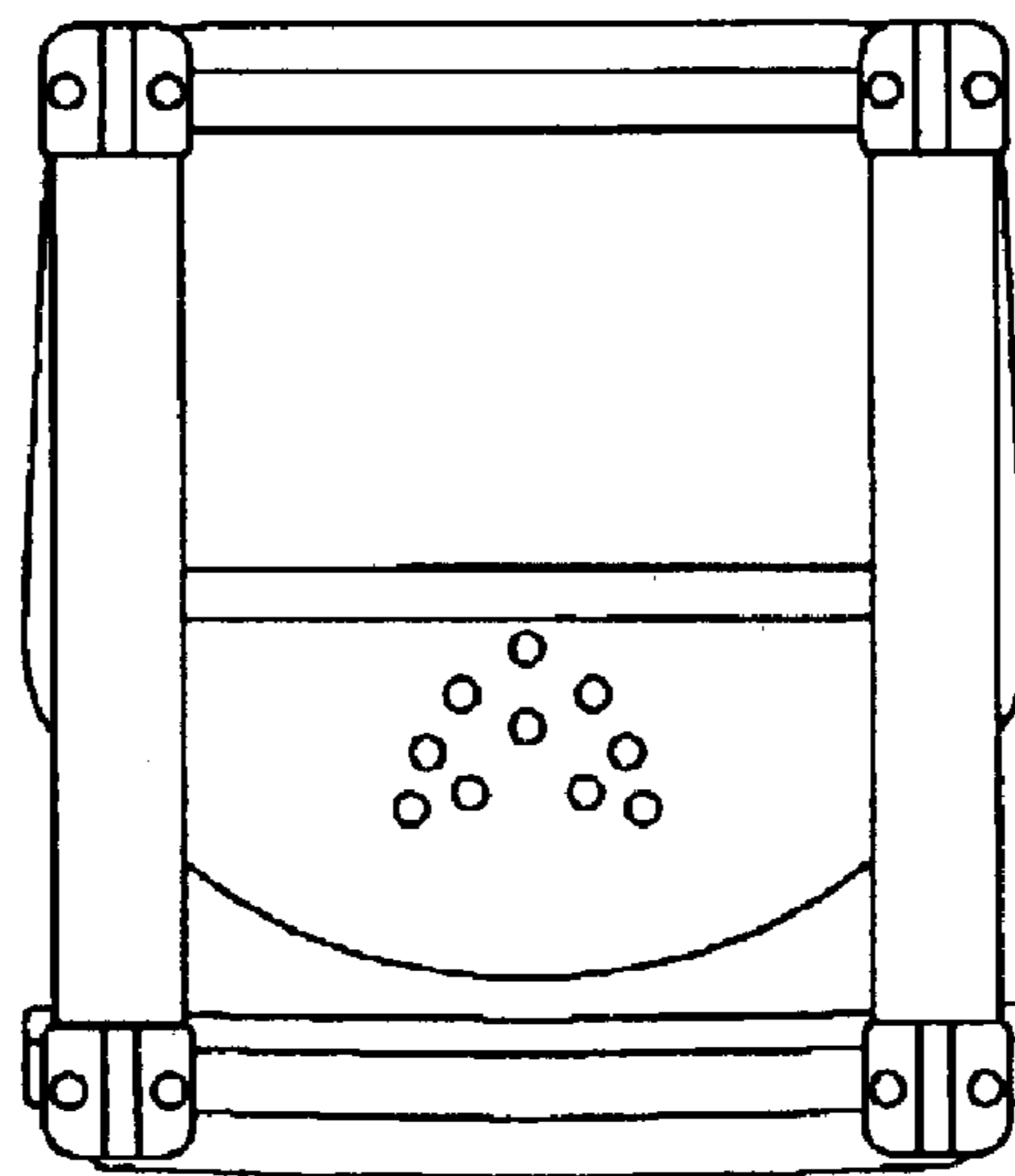


Fig. 7