



US00D491377S

(12) **United States Design Patent**  
**Le Gall**

(10) **Patent No.:** **US D491,377 S**  
(45) **Date of Patent:** **\*\* Jun. 15, 2004**

(54) **RELAXING ARMCHAIR**

(74) *Attorney, Agent, or Firm*—Parkhurst & Wendel, L.L.P.

(75) **Inventor:** **Yann Le Gall, Voreppe (FR)**

(57) **CLAIM**

(73) **Assignee:** **Lafuma SA (FR)**

The ornamental design for a relaxing armchair, as shown and described.

(\*\*) **Term:** **14 Years**

(21) **Appl. No.:** **29/176,130**

**DESCRIPTION**

(22) **Filed:** **Feb. 20, 2003**

(30) **Foreign Application Priority Data**

Aug. 20, 2002 (WO) ..... DM/02 5027

(51) **LOC (7) Cl.** ..... **06-01**

(52) **U.S. Cl.** ..... **D6/361**

(58) **Field of Search** ..... D6/334, 335, 336,  
D6/361, 367, 368, 500, 501, 502; 297/377,  
452.2

FIG. 1 is a top view of the armchair embodying the inventive design;

FIG. 2 is a rear view of the armchair embodying the inventive design;

FIG. 3 is a front view of the armchair embodying the inventive design;

FIG. 4 is a bottom view of the armchair embodying the inventive design;

FIG. 5 is a left side view of the armchair embodying the inventive design; and,

FIG. 6 is a right side view of the armchair embodying the inventive design.

The broken lines shown are understood to represent stitching.

(56) **References Cited**

**U.S. PATENT DOCUMENTS**

- D167,491 S \* 8/1952 Witty ..... D6/361
- D168,270 S \* 11/1952 Lamb ..... D6/361 X
- D168,607 S \* 1/1953 Vincent, Jr. .... D6/361

**OTHER PUBLICATIONS**

Alsto's catalog, p. 4, Lafuma lounge chairs at top right.\*

\* cited by examiner

*Primary Examiner*—Gary D. Watson

**1 Claim, 6 Drawing Sheets**

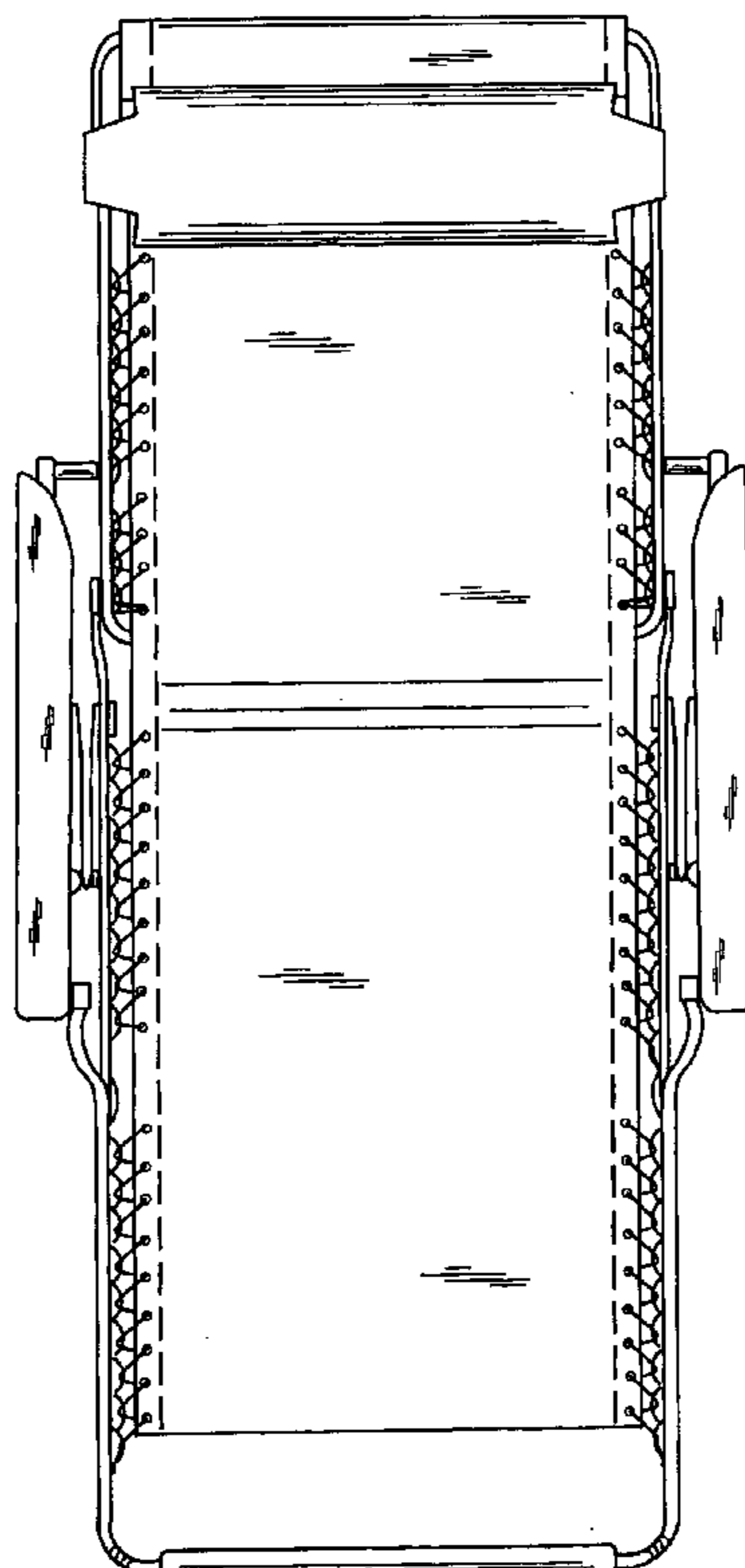


FIG. 1

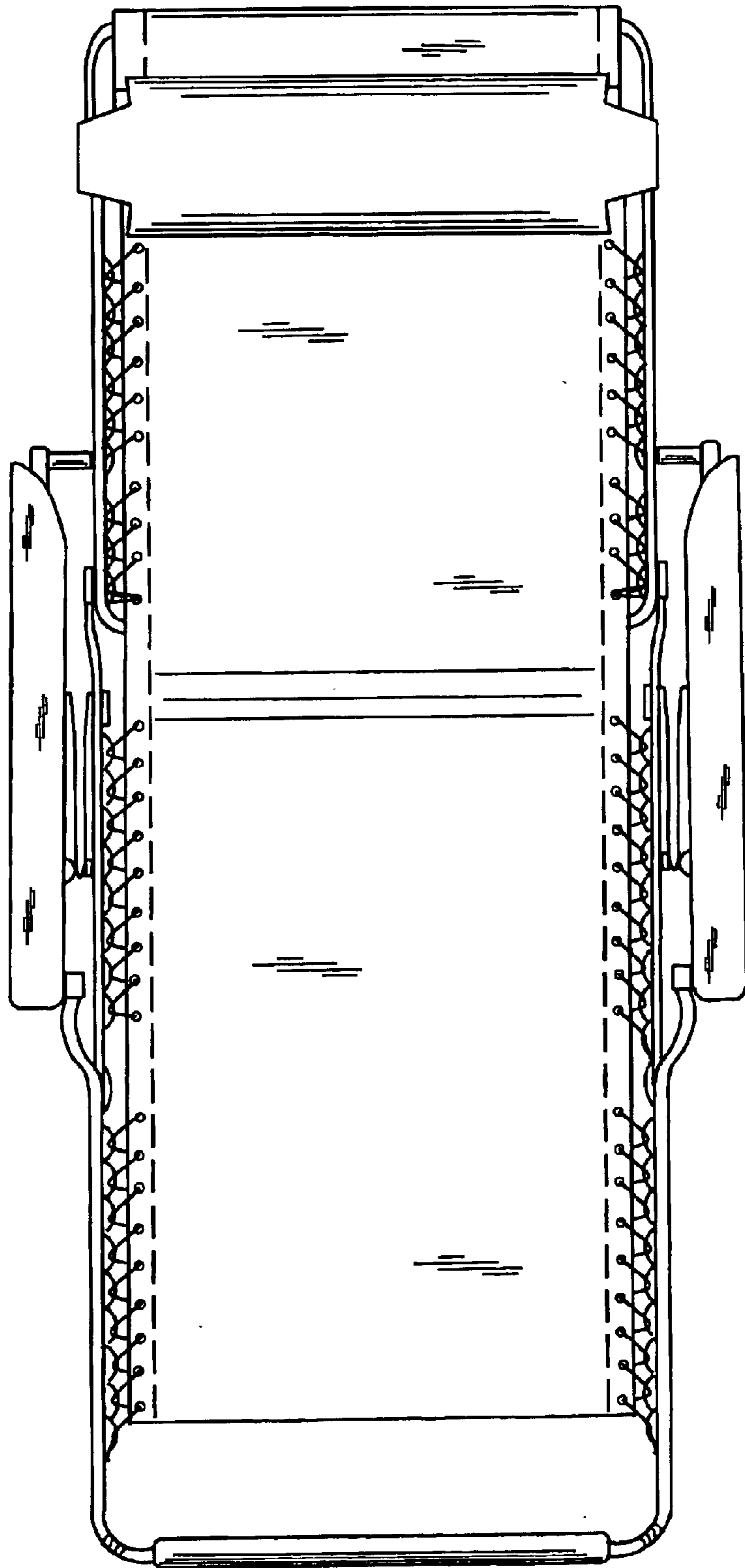


FIG. 2

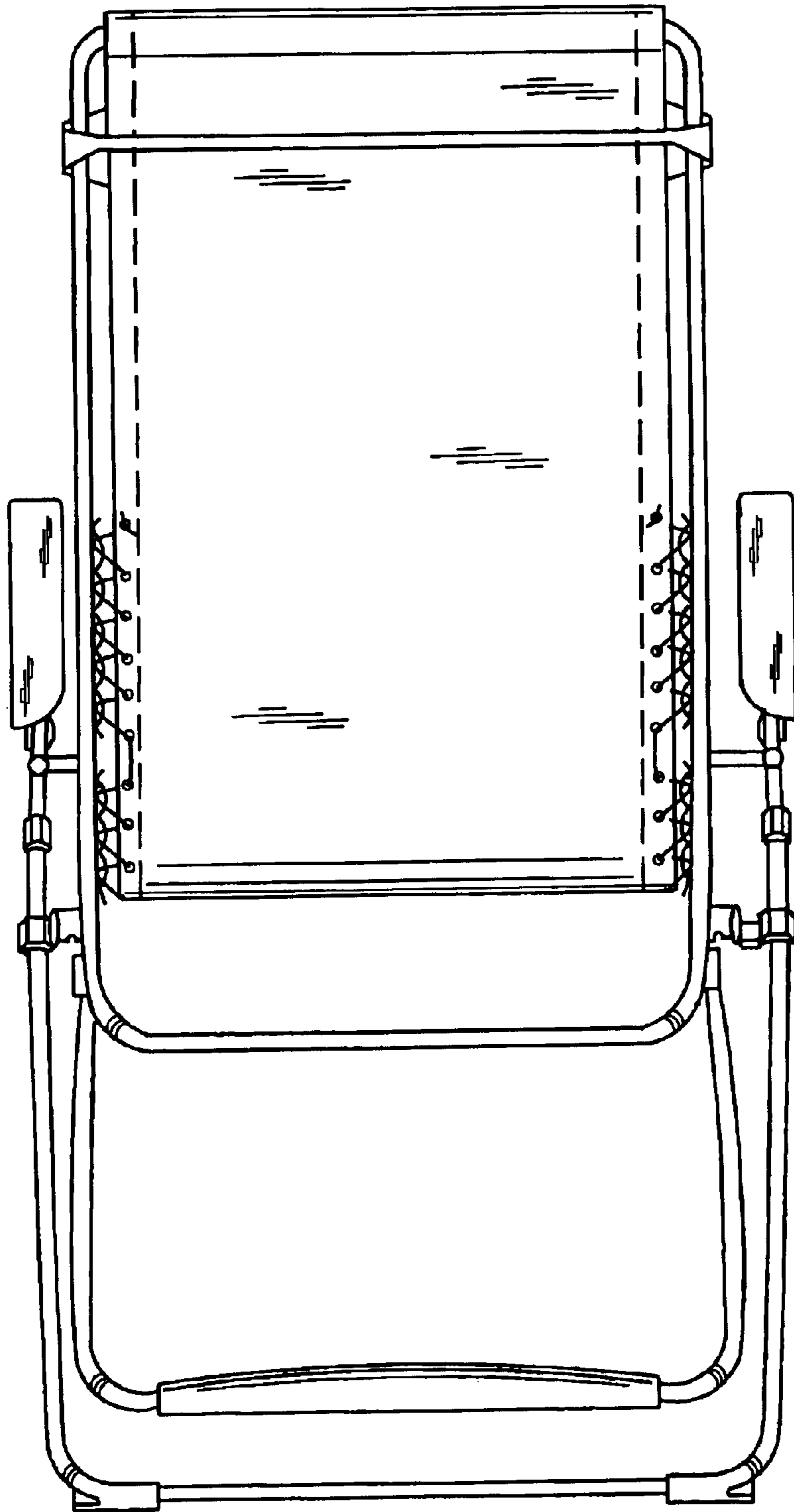


FIG. 3

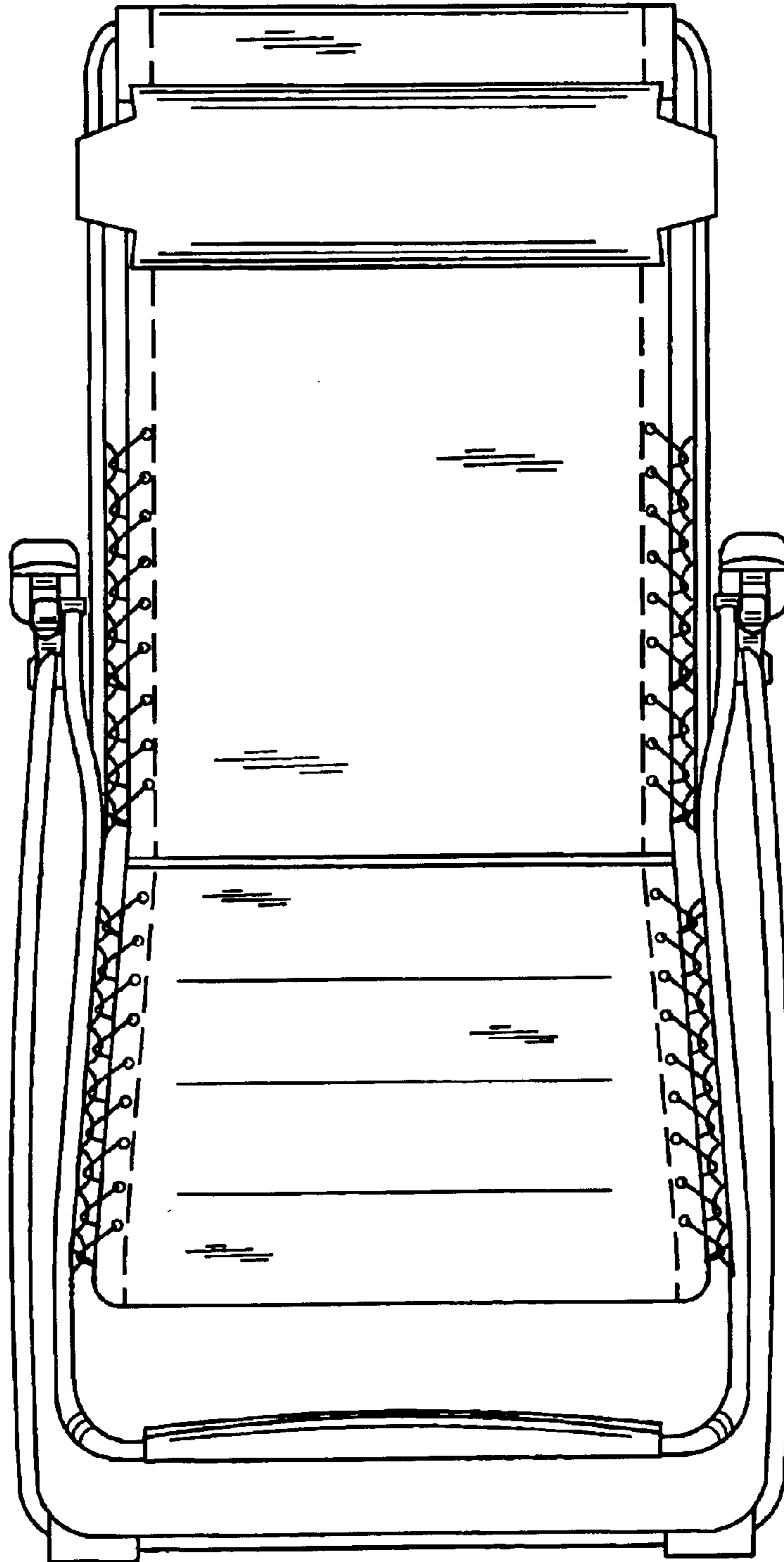


FIG. 4

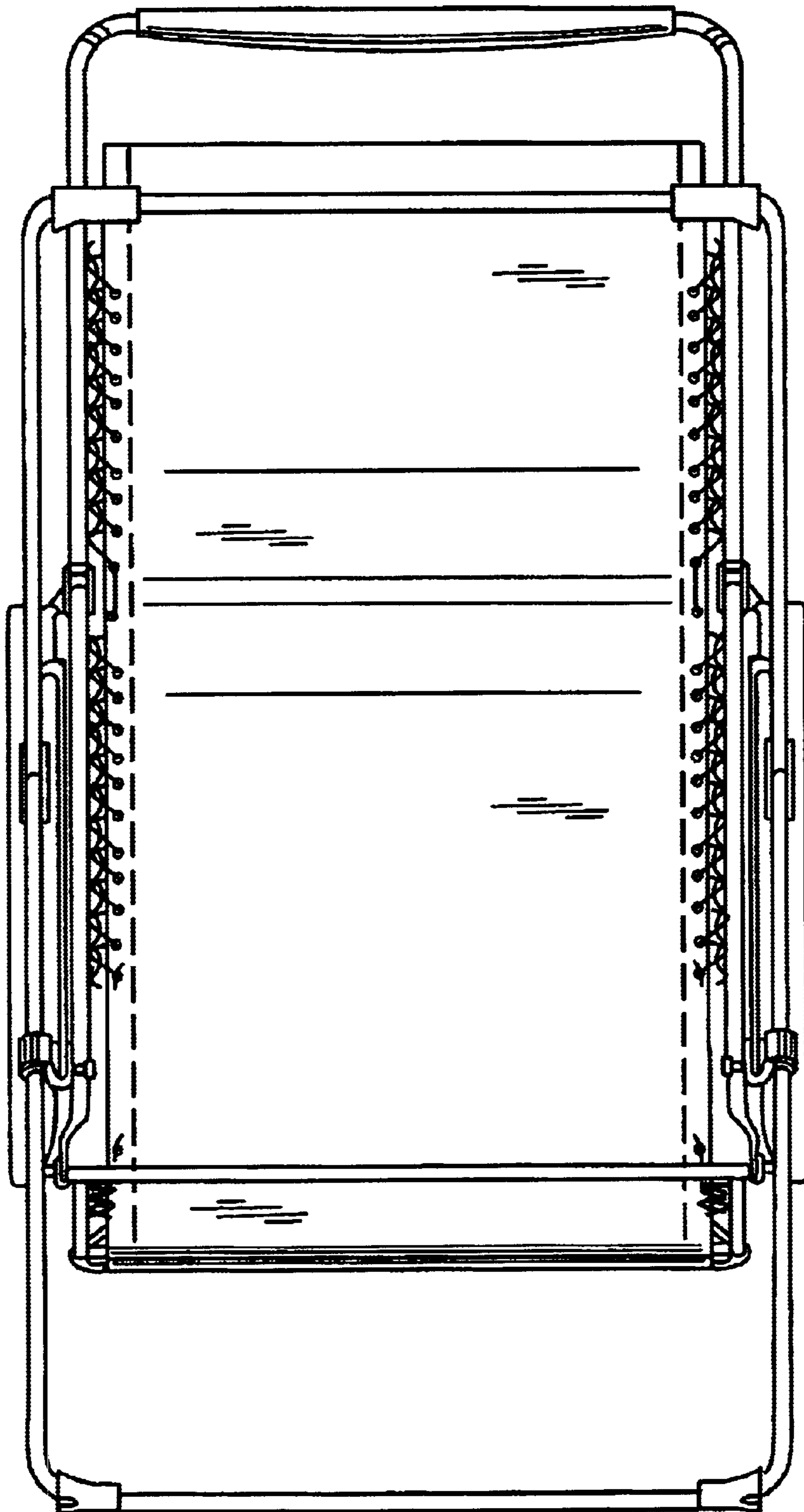


FIG. 5

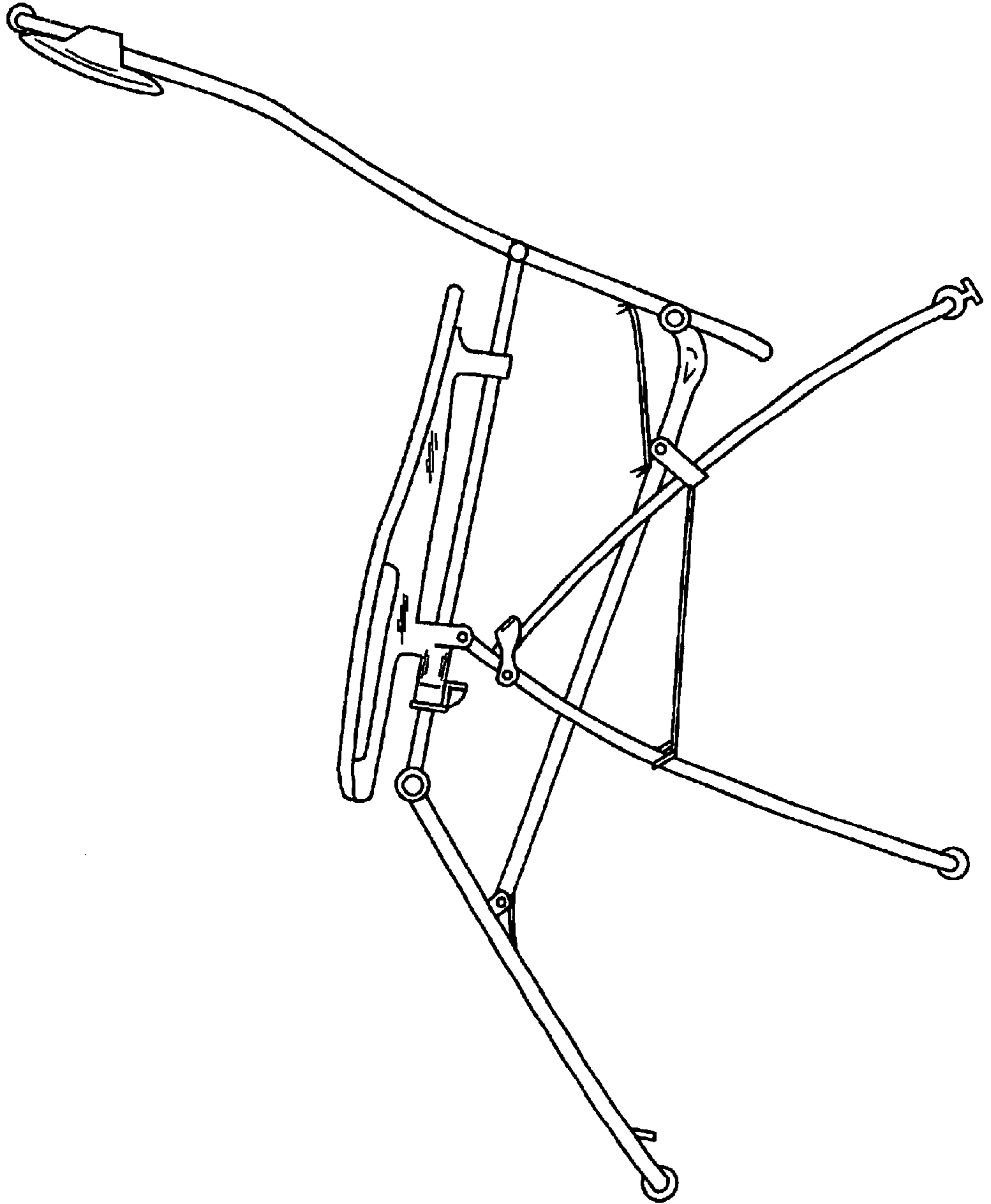


FIG. 6

