



US00D491375S

(12) **United States Design Patent**
Yuyama

(10) **Patent No.:** **US D491,375 S**
(45) **Date of Patent:** **** Jun. 15, 2004**

(54) **CHAIR-TYPE MASSAGER**

OTHER PUBLICATIONS

(75) Inventor: **Keiji Yuyama**, Himeji (JP)
(73) Assignee: **Sanyo Electric Co., Ltd.**, Osaka (JP)
(**) Term: **14 Years**

National Momimomi [Union Catalog] Dempa Shinbun (The Dempa Digest), Jun. 12, 2002, p. 23.

* cited by examiner

(21) Appl. No.: **29/187,796**
(22) Filed: **Aug. 8, 2003**

Primary Examiner—Stacia Cadmus
Assistant Examiner—Mimosa De
(74) *Attorney, Agent, or Firm*—Armstrong, Kratz, Quintos, Hanson & Brook, LLP

(30) **Foreign Application Priority Data**

(57) **CLAIM**

Feb. 10, 2003 (JP) 2003-002979

The ornamental design for a chair-type massager, as shown.

(51) **LOC (7) Cl.** **06-01**

DESCRIPTION

(52) **U.S. Cl.** **D6/335; D6/367**

(58) **Field of Search** D6/334, 335, 336,
D6/360, 361, 367, 371, 373, 500-502;
297/85, 281, 271.2, 271.3, 423.2, 423.19,
411.45; 601/97-99, 102, 115, 116, 148,
149

FIG. 1 is a perspective view of a chair-type massager showing my new design;
FIG. 2 is a front view thereof;
FIG. 3 is a rear view thereof;
FIG. 4 is a top plan view thereof;
FIG. 5 is a bottom plan view thereof;
FIG. 6 is a right side view thereof; and,
FIG. 7 is a side view showing the state in use thereof.
The broken line showing of the human figure in FIG. 7 is for illustrative purposes only and forms no part of the claimed design.

(56) **References Cited**

U.S. PATENT DOCUMENTS

D372,801 S	*	8/1996	Fujimoto et al.	D6/367
D372,802 S	*	8/1996	Fujimoto et al.	D6/367
D418,990 S	*	1/2000	Oguri et al.	D6/367
D471,372 S	*	3/2003	Inada et al.	D6/367
D476,492 S	*	7/2003	Yamamoto et al.	D6/335

1 Claim, 4 Drawing Sheets

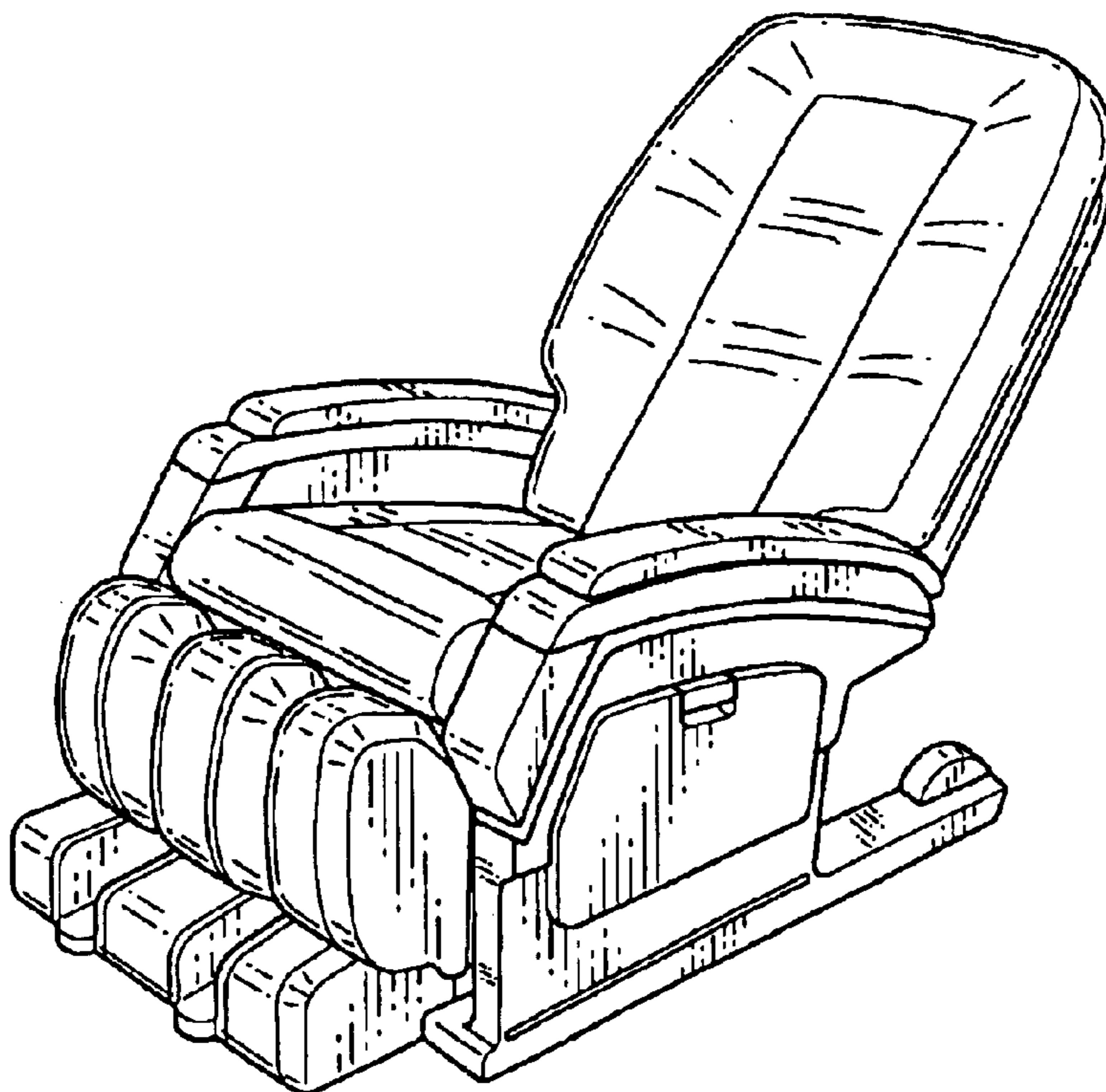


FIG. 1

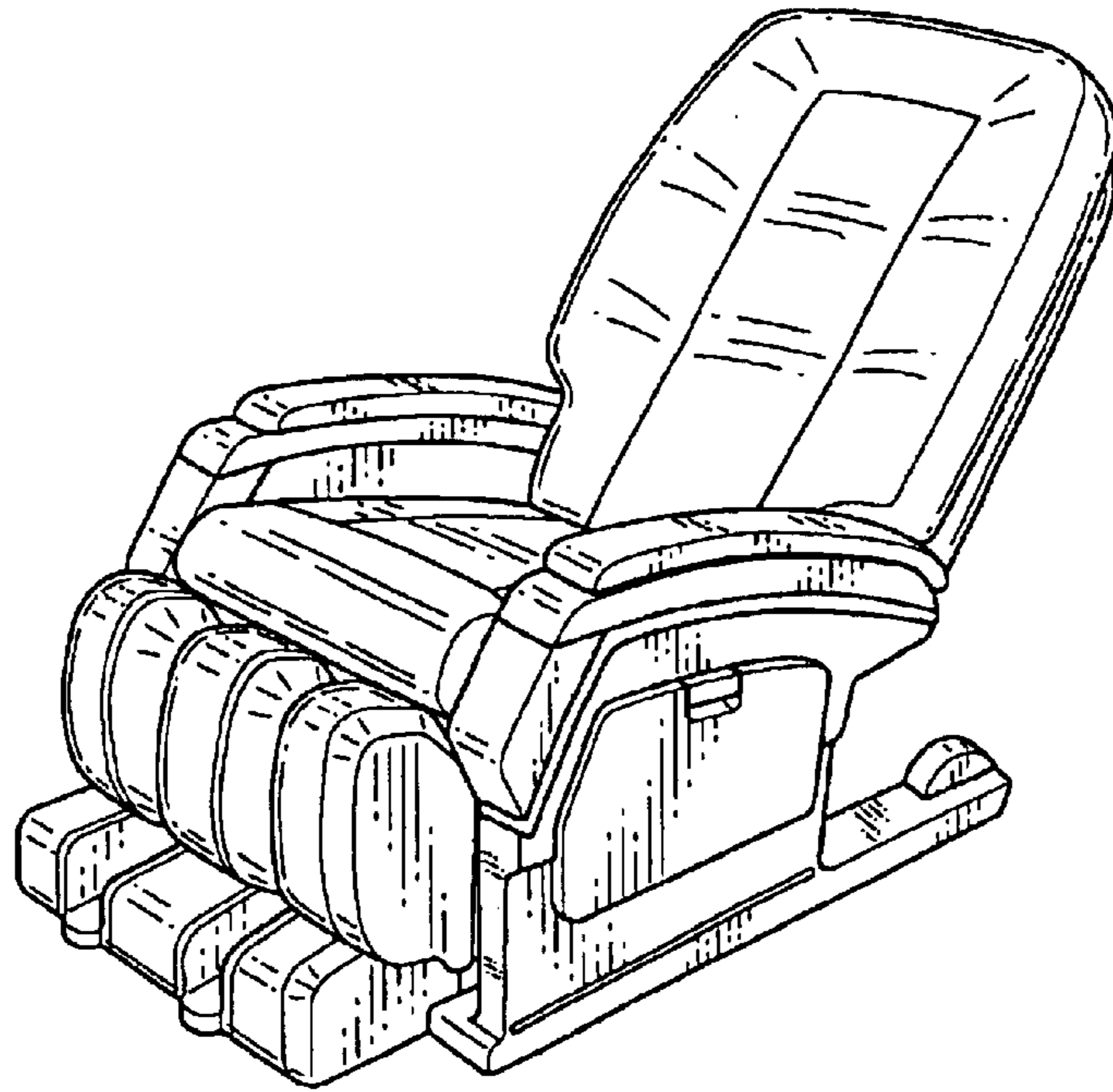


FIG. 2

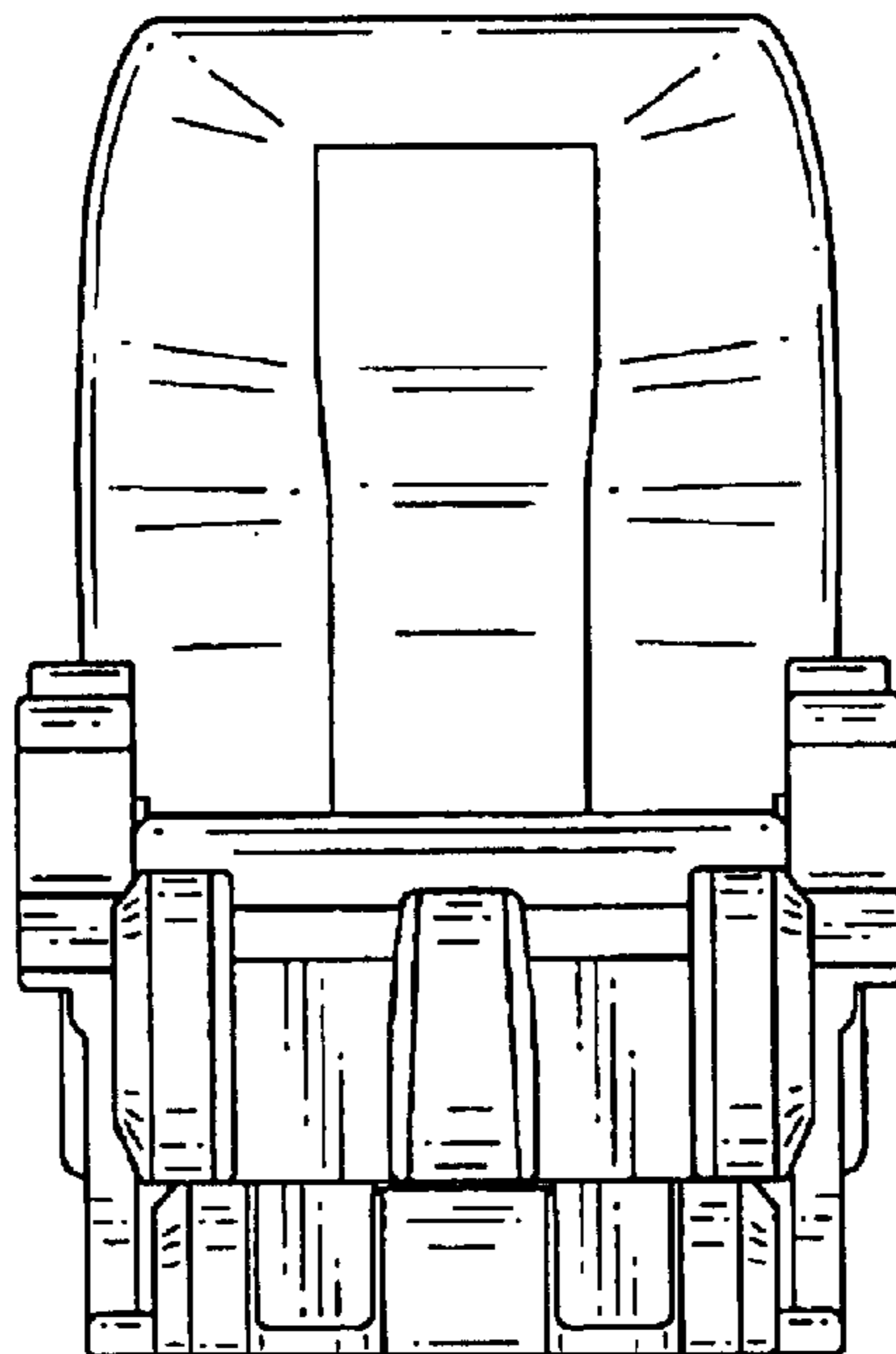


FIG. 3

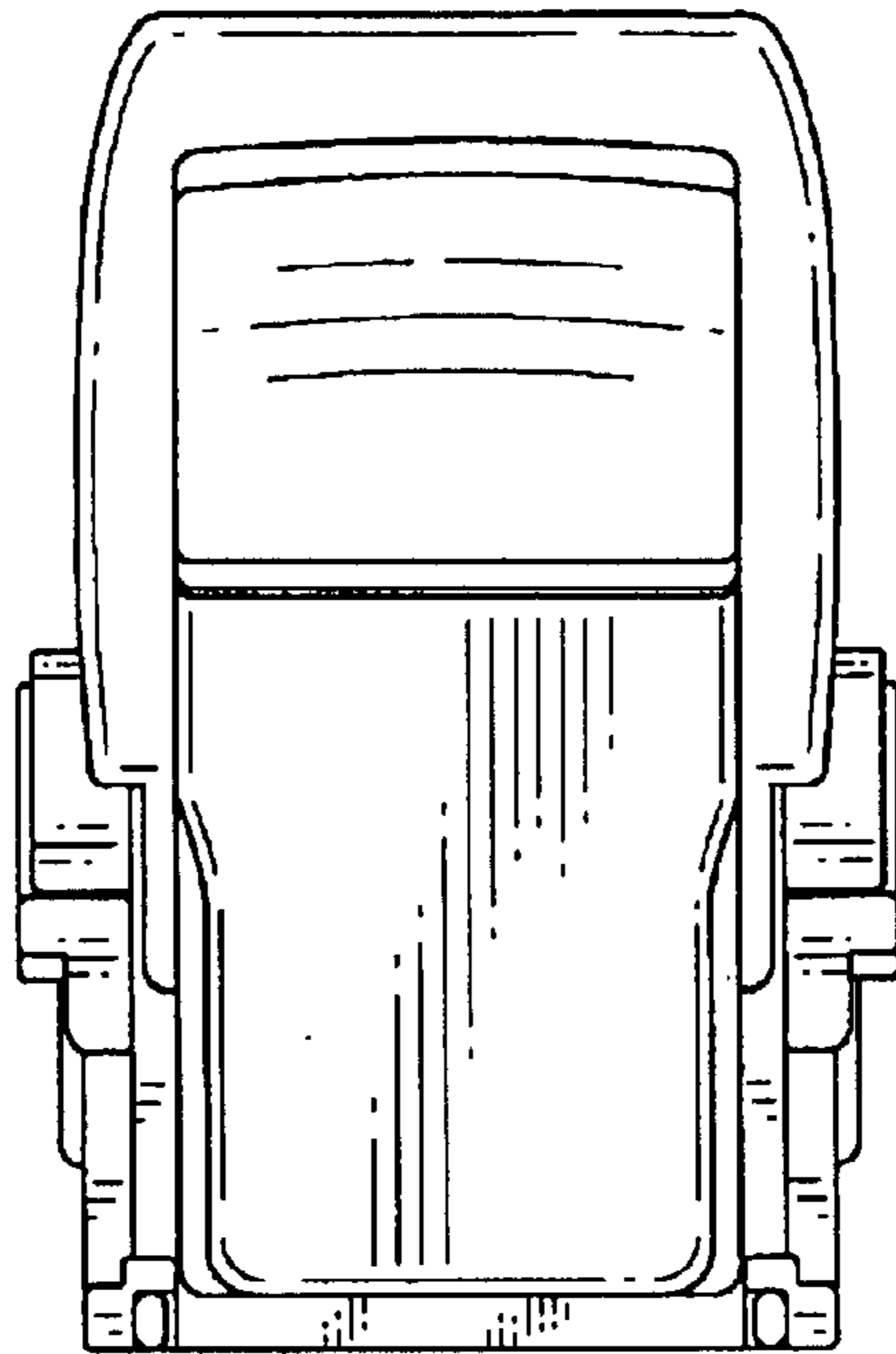


FIG. 4

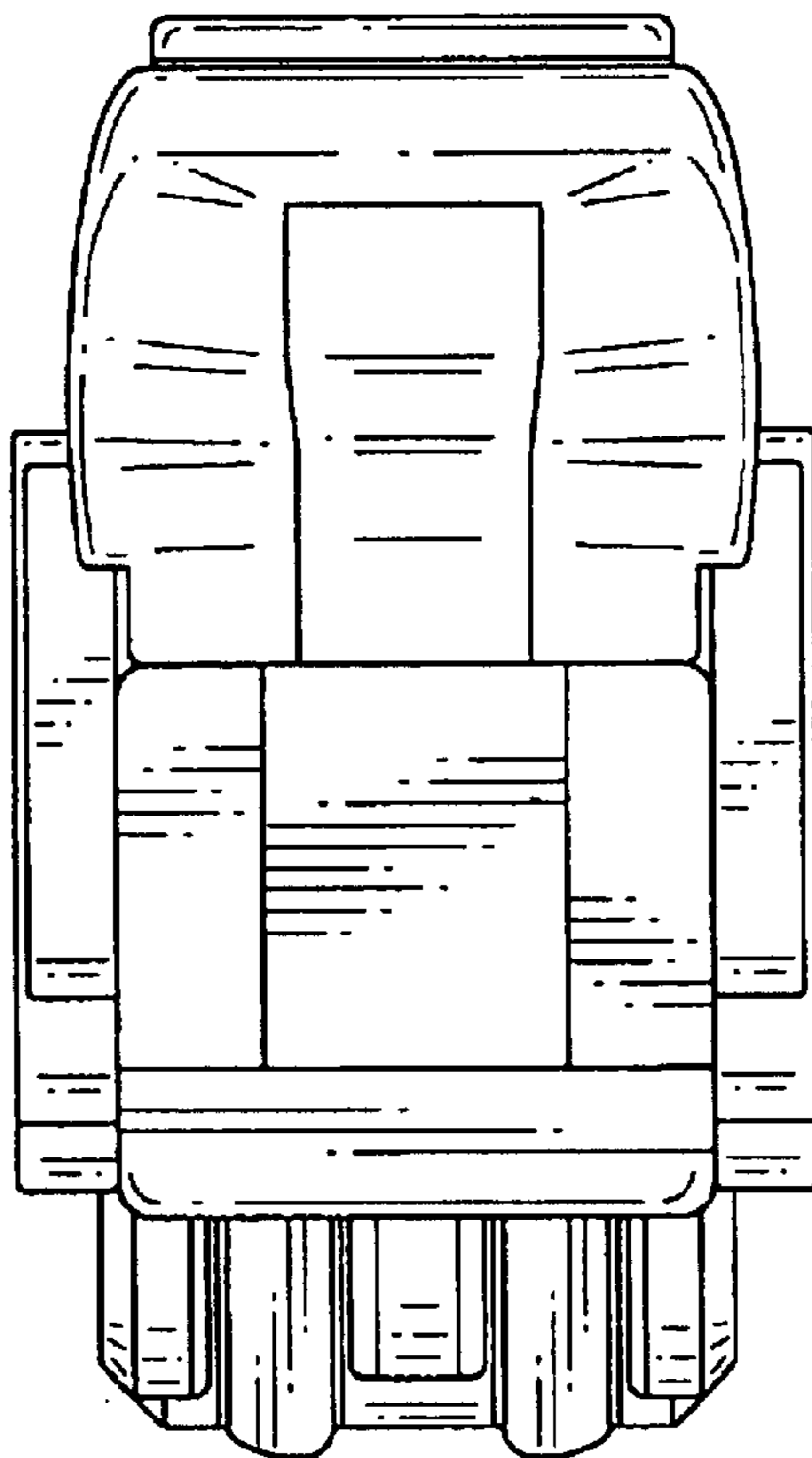


FIG. 5

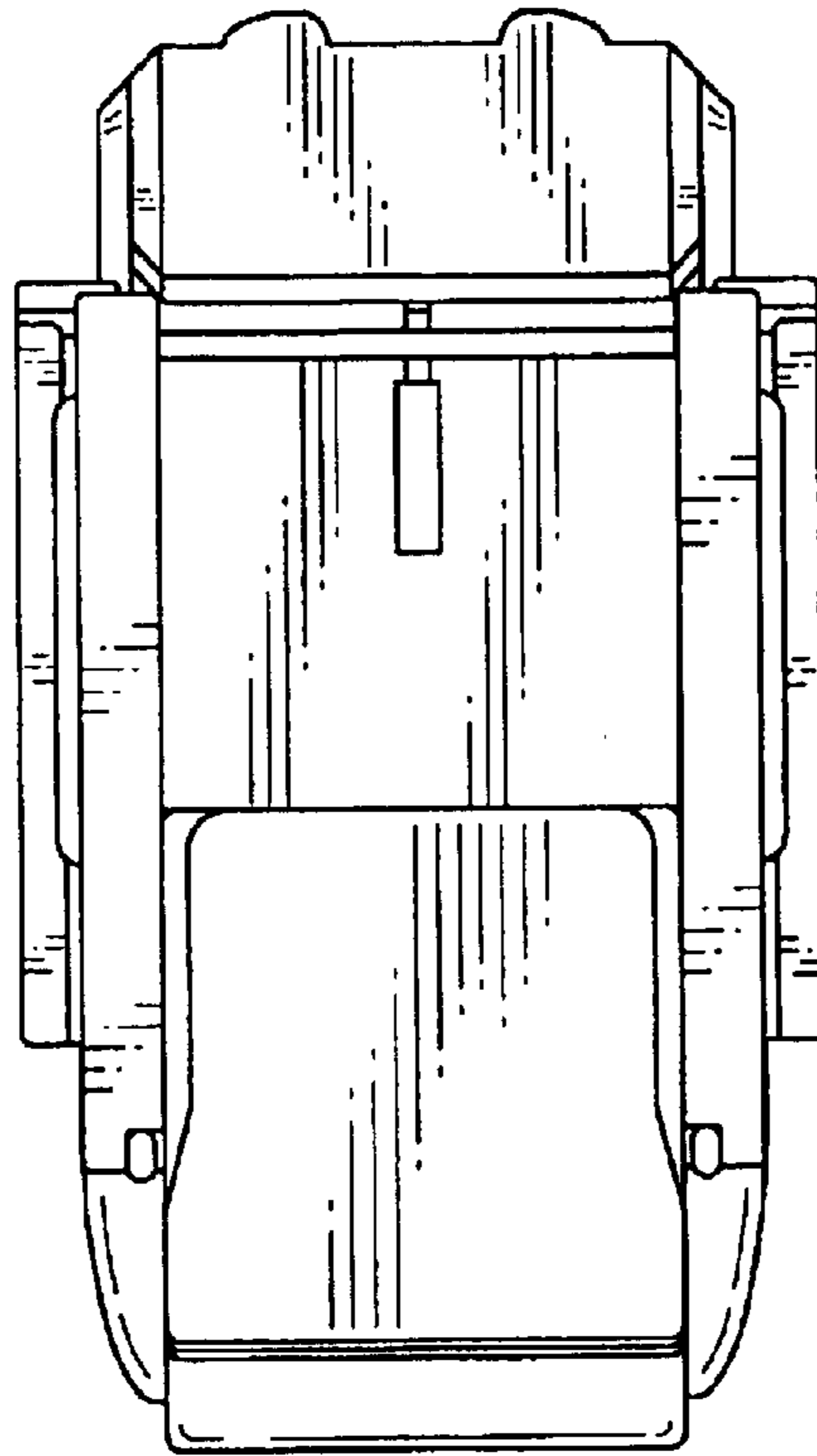


FIG. 6

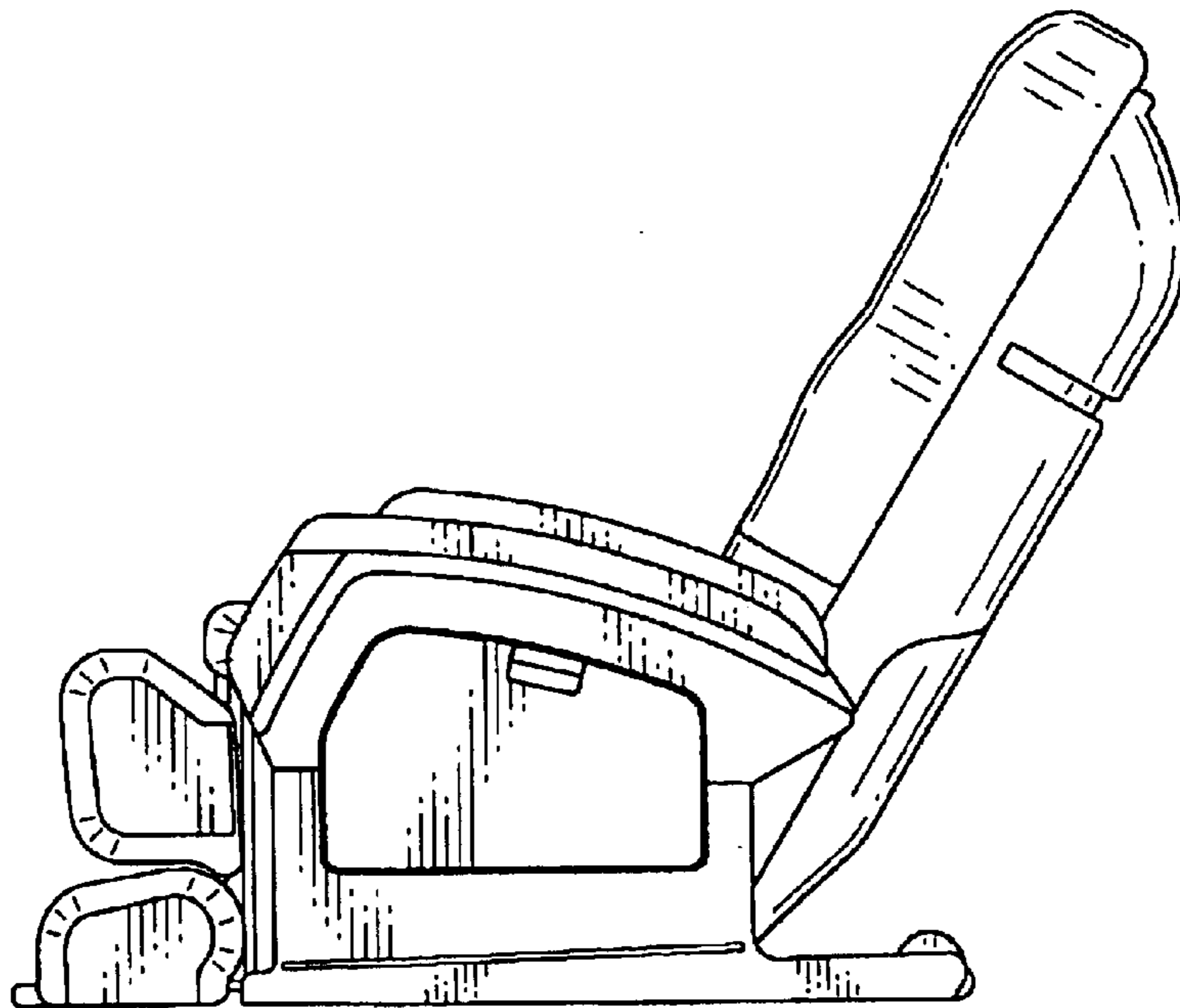


FIG. 7

