



US00D491373S

(12) **United States Design Patent**
Mangano

(10) **Patent No.:** **US D491,373 S**

(45) **Date of Patent:** **** Jun. 15, 2004**

(54) **PORTABLE MIRROR**

(75) Inventor: **Joy Mangano**, St. James, NY (US)

(73) Assignee: **Ingenious Designs LLC**, Edgewood, NY (US)

(**) Term: **14 Years**

(21) Appl. No.: **29/183,840**

(22) Filed: **Jun. 18, 2003**

Related U.S. Application Data

(63) Continuation of application No. 10/059,802, filed on Jan. 30, 2002, now Pat. No. 6,682,198.

(51) **LOC (7) Cl.** **06-07**

(52) **U.S. Cl.** **D6/309; D6/312**

(58) **Field of Search** D6/300-303, 309, D6/314, 418; 40/700, 711, 722, 724, 732, 745, 747, 749, 780, 790, 798, 757; 359/838, 865, 871, 876, 879, 882; 248/469, 472, 476, 160; D24/139

(56) **References Cited**

U.S. PATENT DOCUMENTS

- 956,274 A * 4/1910 Birdwell
- 1,289,130 A * 12/1918 Duncan
- 1,504,344 A * 8/1924 Hennigh
- 1,989,437 A * 1/1935 Weisz 248/160
- 2,071,243 A 2/1937 Tripp
- 2,266,977 A 12/1941 Lynch
- 2,324,049 A * 7/1943 Winslow
- D160,995 S * 11/1950 Busa D6/301
- 3,066,577 A * 12/1962 Gunderson 248/160
- 3,474,555 A * 10/1969 McCaffrey
- 3,596,627 A * 8/1971 Monk
- 3,989,359 A * 11/1976 Shutt
- 4,103,860 A * 8/1978 Haas et al.
- 5,154,483 A 10/1992 Zeller
- 5,452,140 A 9/1995 Kody
- 5,604,633 A * 2/1997 Christianson
- 5,953,157 A * 9/1999 Christianson
- 6,099,133 A * 8/2000 Wright

- 6,206,530 B1 3/2001 Eberts
- 6,217,180 B1 * 4/2001 Eisenbraum 359/871
- 6,220,717 B1 * 4/2001 Pastore 359/871
- 6,371,824 B1 * 4/2002 Brown
- 6,476,984 B1 * 11/2002 Ringdahl

FOREIGN PATENT DOCUMENTS

- DE 3342959 A1 * 6/1984
- GB 0521372 * 5/1940
- GB 2246706 * 12/1992

* cited by examiner

Primary Examiner—Janice Seeger

(74) *Attorney, Agent, or Firm*—Galgano & Burke, LLP

(57) **CLAIM**

The ornamental design for a portable mirror, as shown and described.

DESCRIPTION

FIG. 1 is a perspective view of a mirror according to the invention with the gooseneck wrapped around the mirror in its peripheral groove, and pictured with a protective pouch, showing my new design;

FIG. 2 is a perspective view of the mirror lying flat on a surface with the gooseneck partially uncoiled, showing my new design;

FIG. 3 is a perspective view of the mirror with the gooseneck coiled into a base supporting the mirror on a surface;

FIG. 4 is a side perspective view of the mirror in substantially the same configuration as FIG. 3;

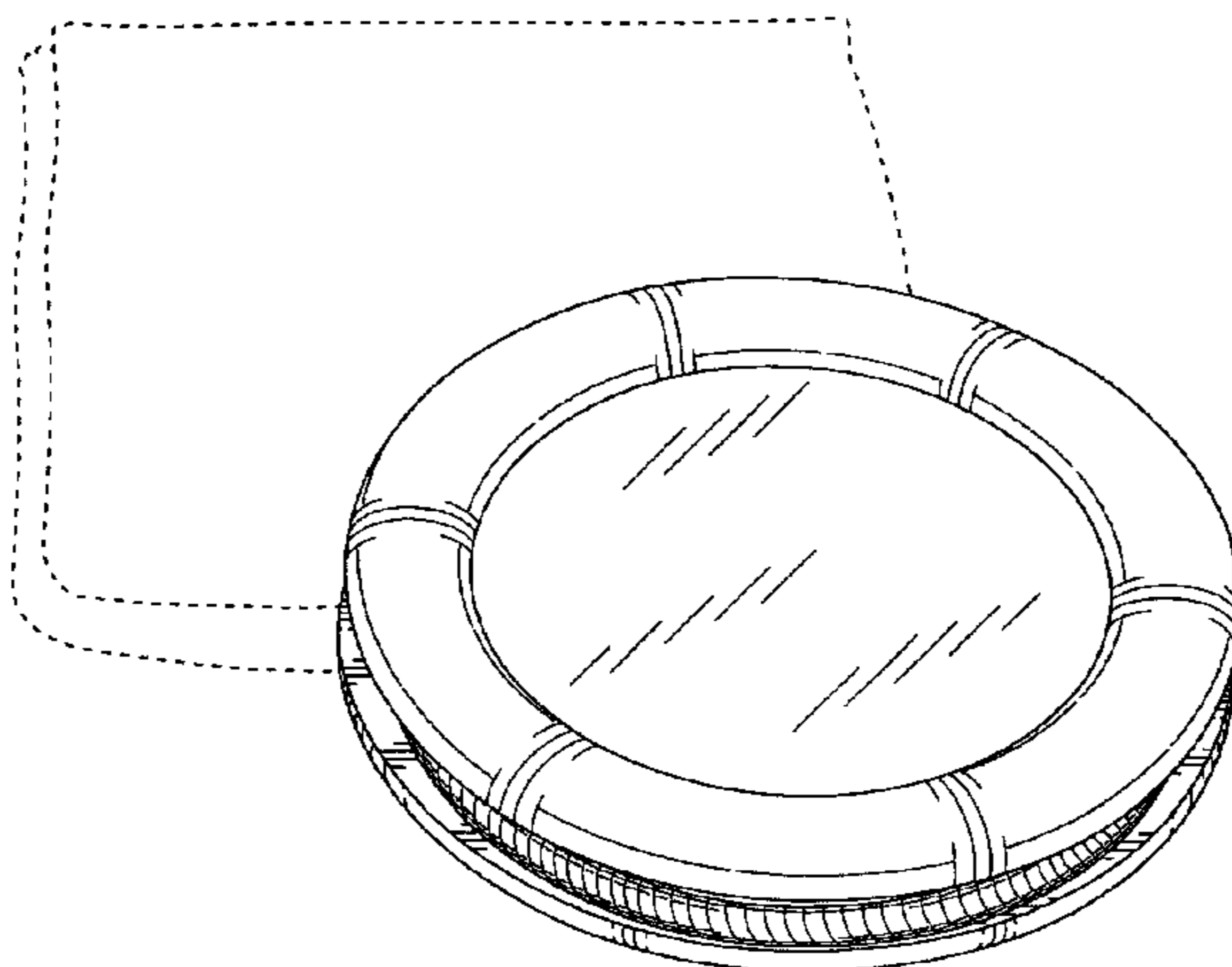
FIG. 5 is a view similar to FIG. 3 but with the gooseneck further uncoiled so that the mirror is supported higher above the surface;

FIG. 6 is a view similar to FIG. 5 but with the gooseneck still further uncoiled so that the mirror is supported significantly higher above the surface;

FIG. 7 is a plan view showing the mirror hanging from a door; and,

FIG. 8 is a plan view illustrating the mirror hanging from a door knob.

1 Claim, 8 Drawing Sheets



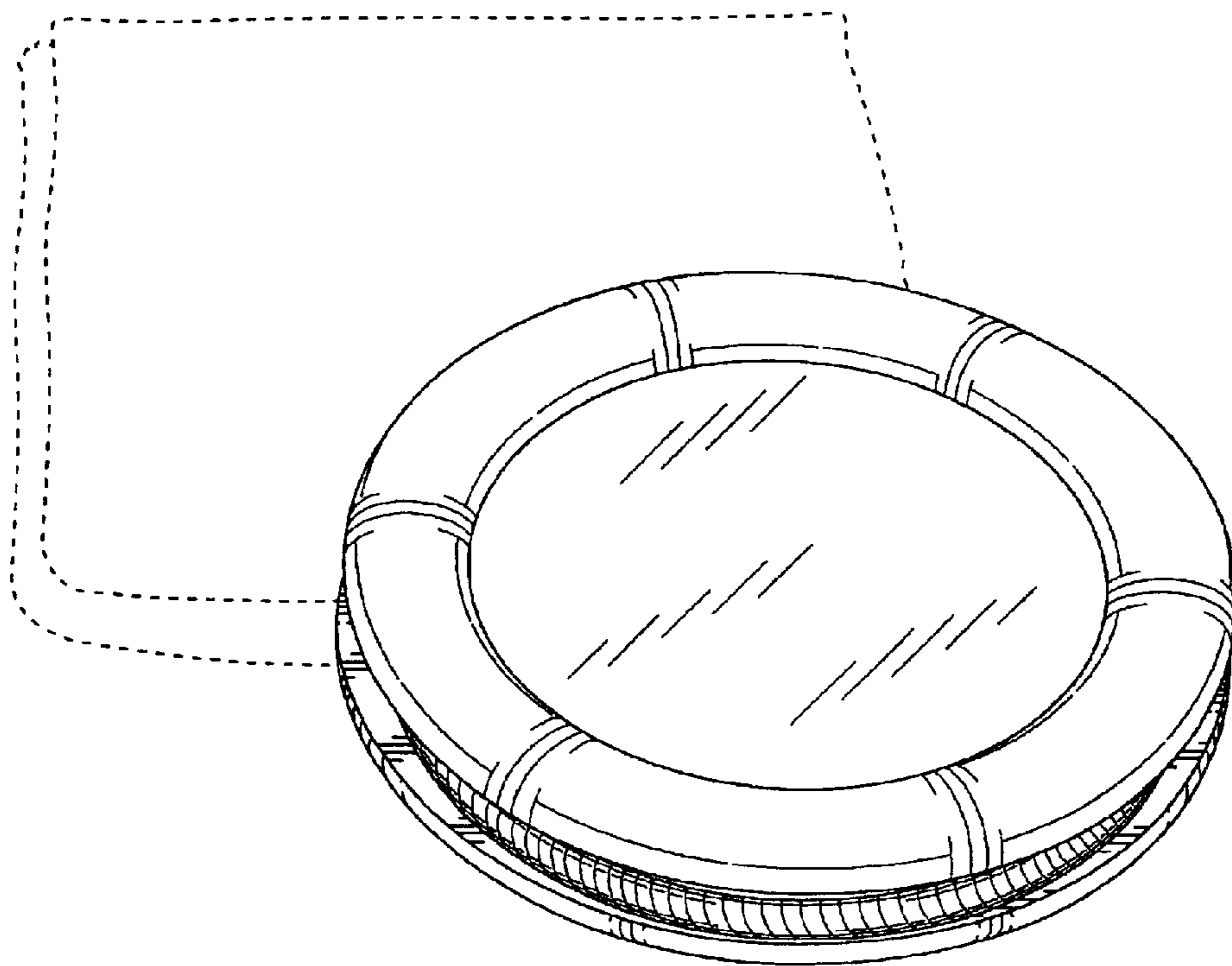


FIG. 1

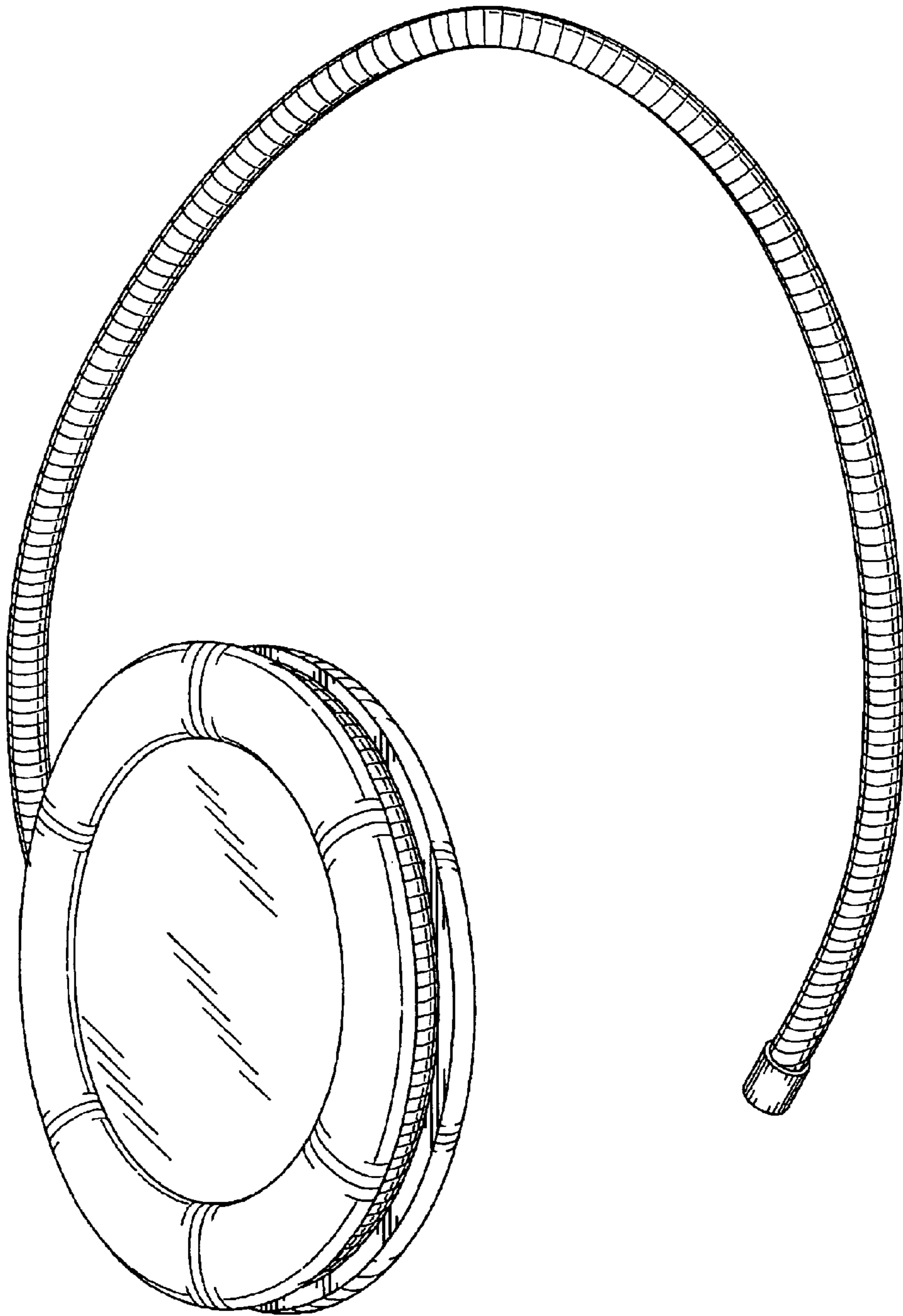


FIG. 2

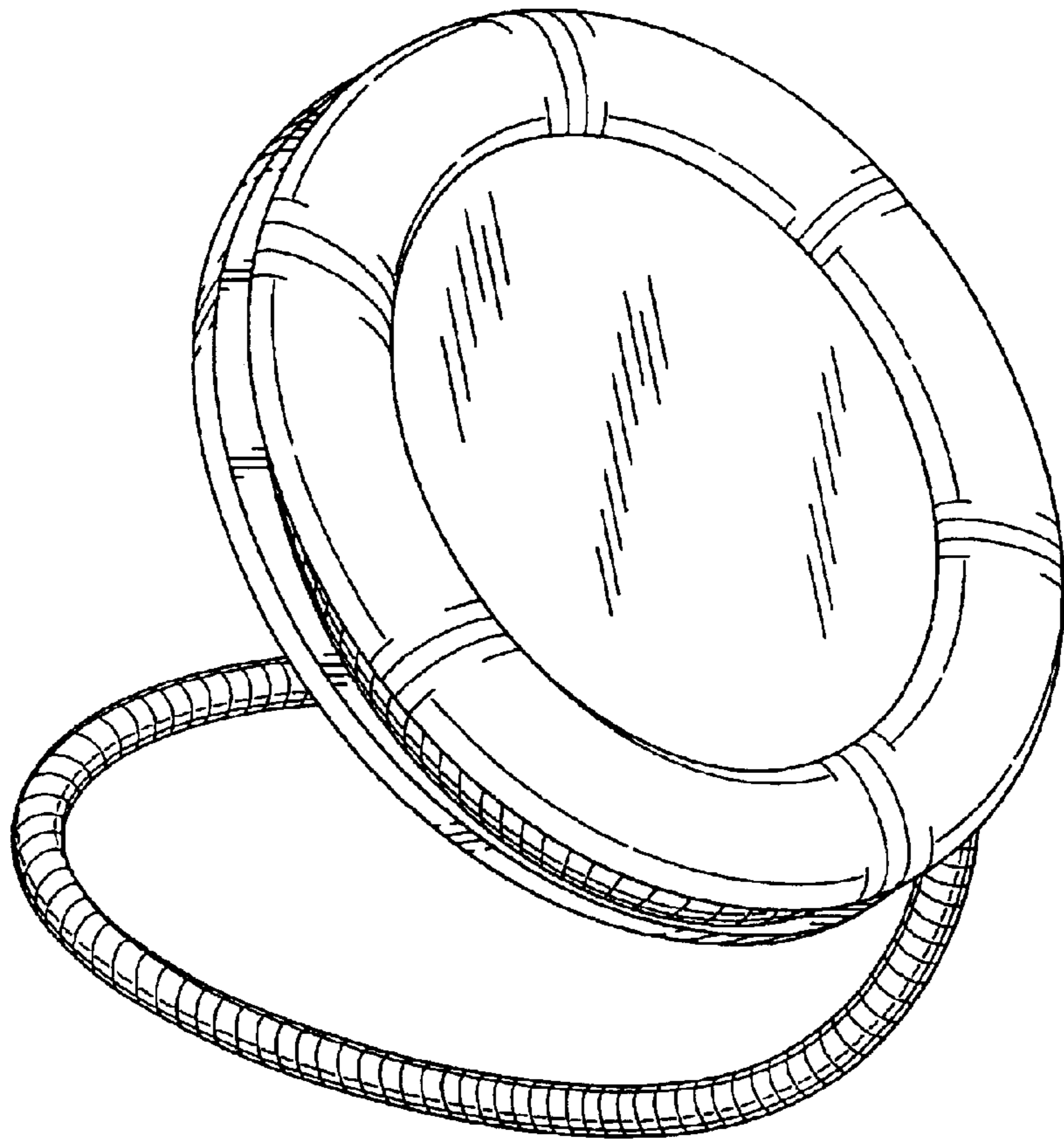


FIG. 3

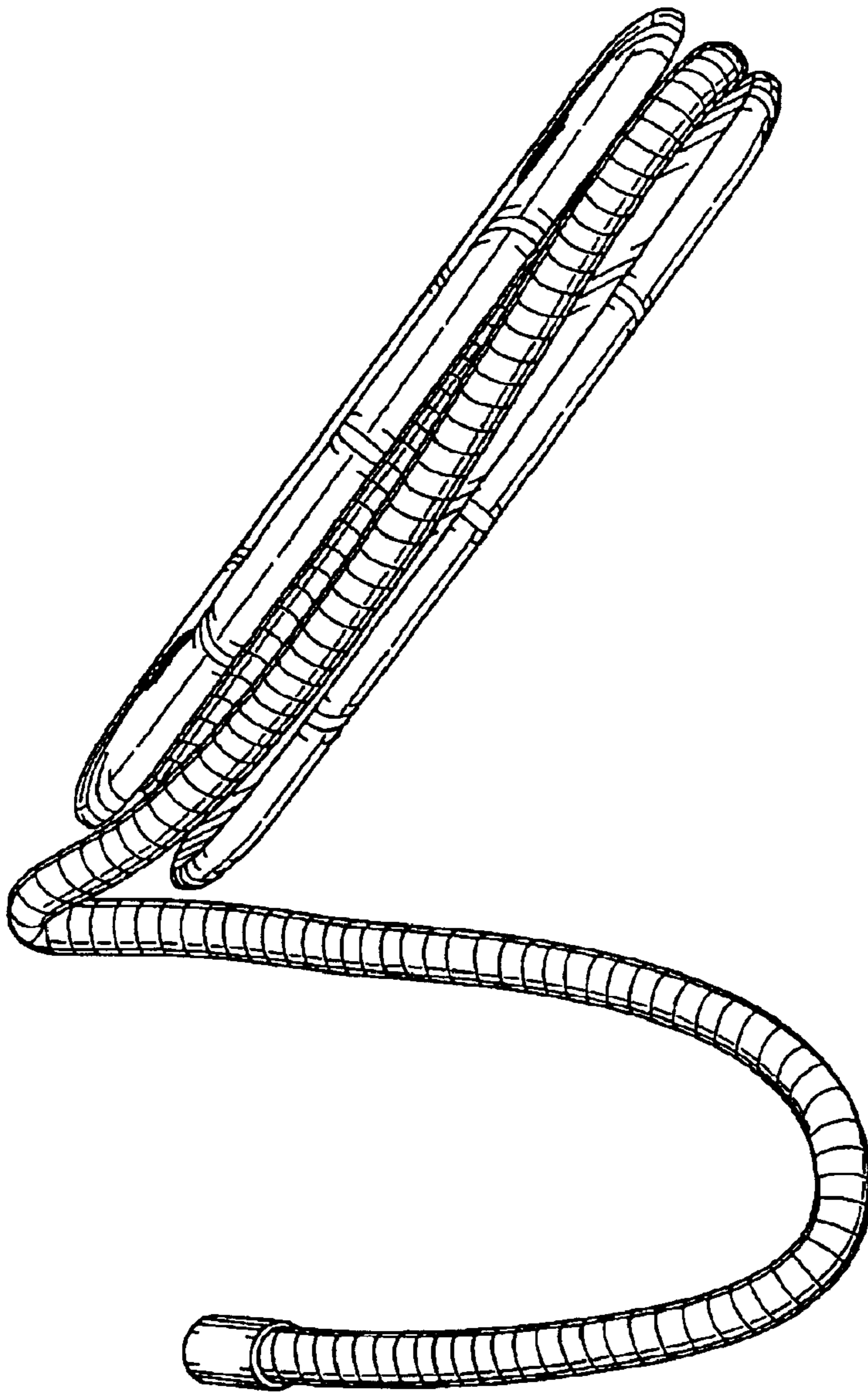


FIG. 4

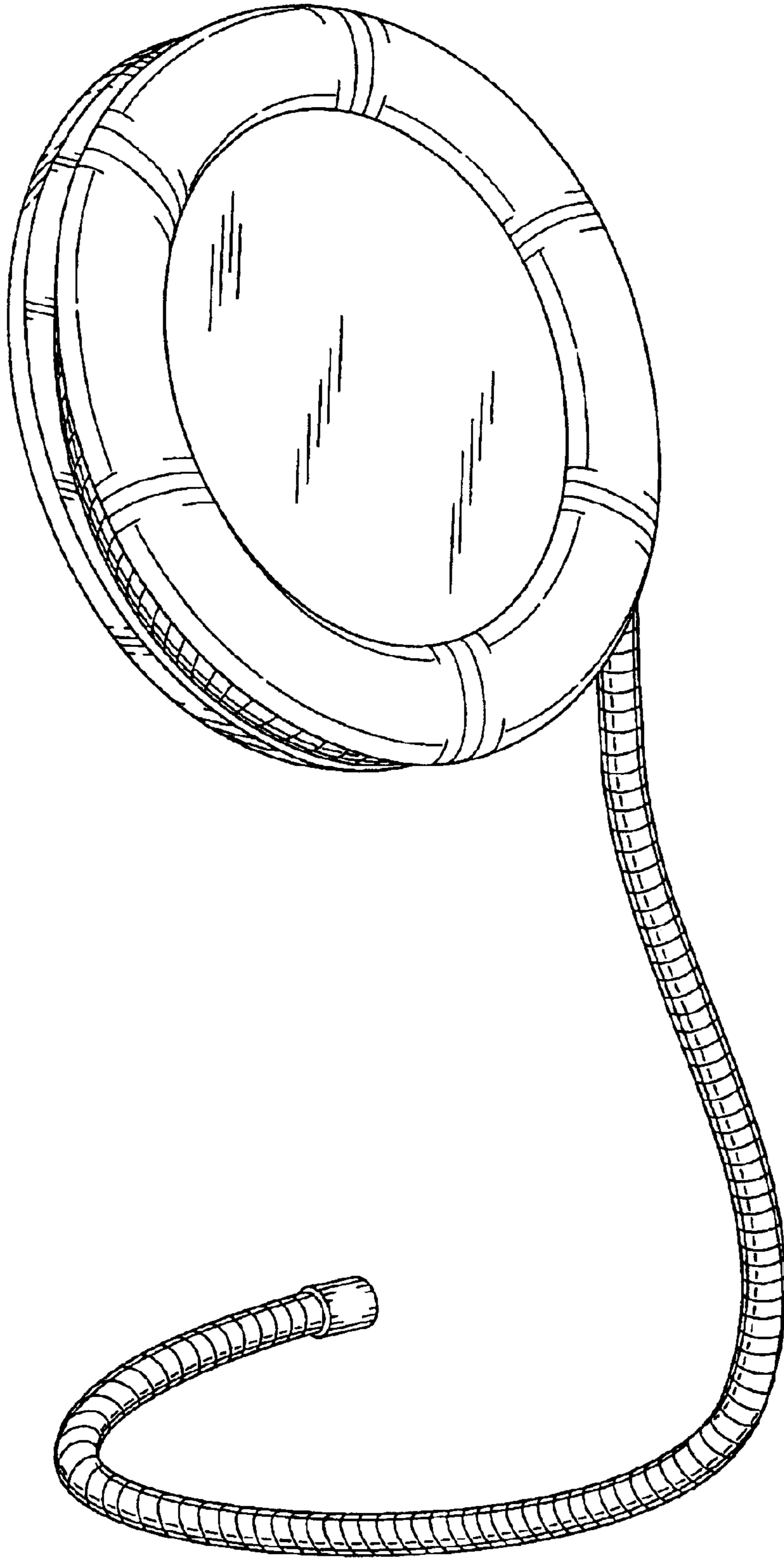


FIG. 5

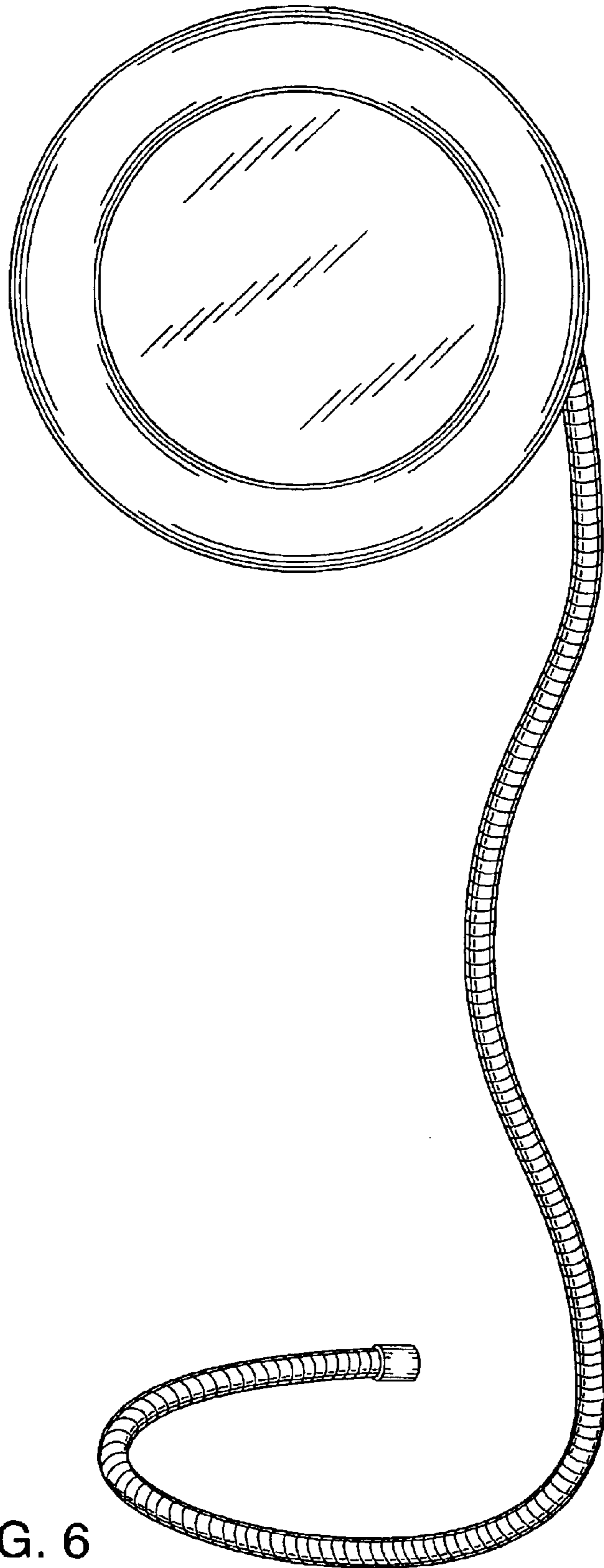


FIG. 6

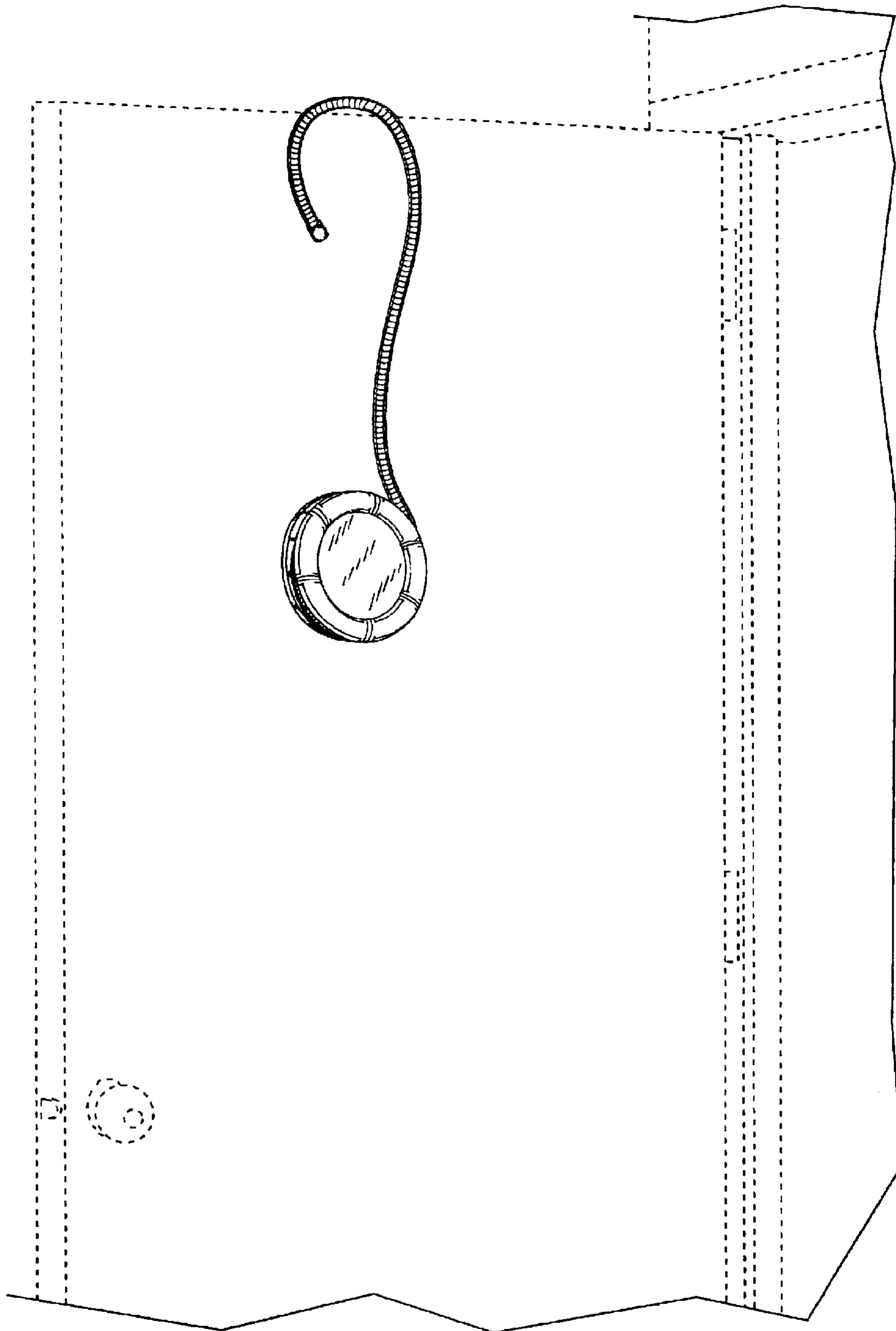


FIG. 7

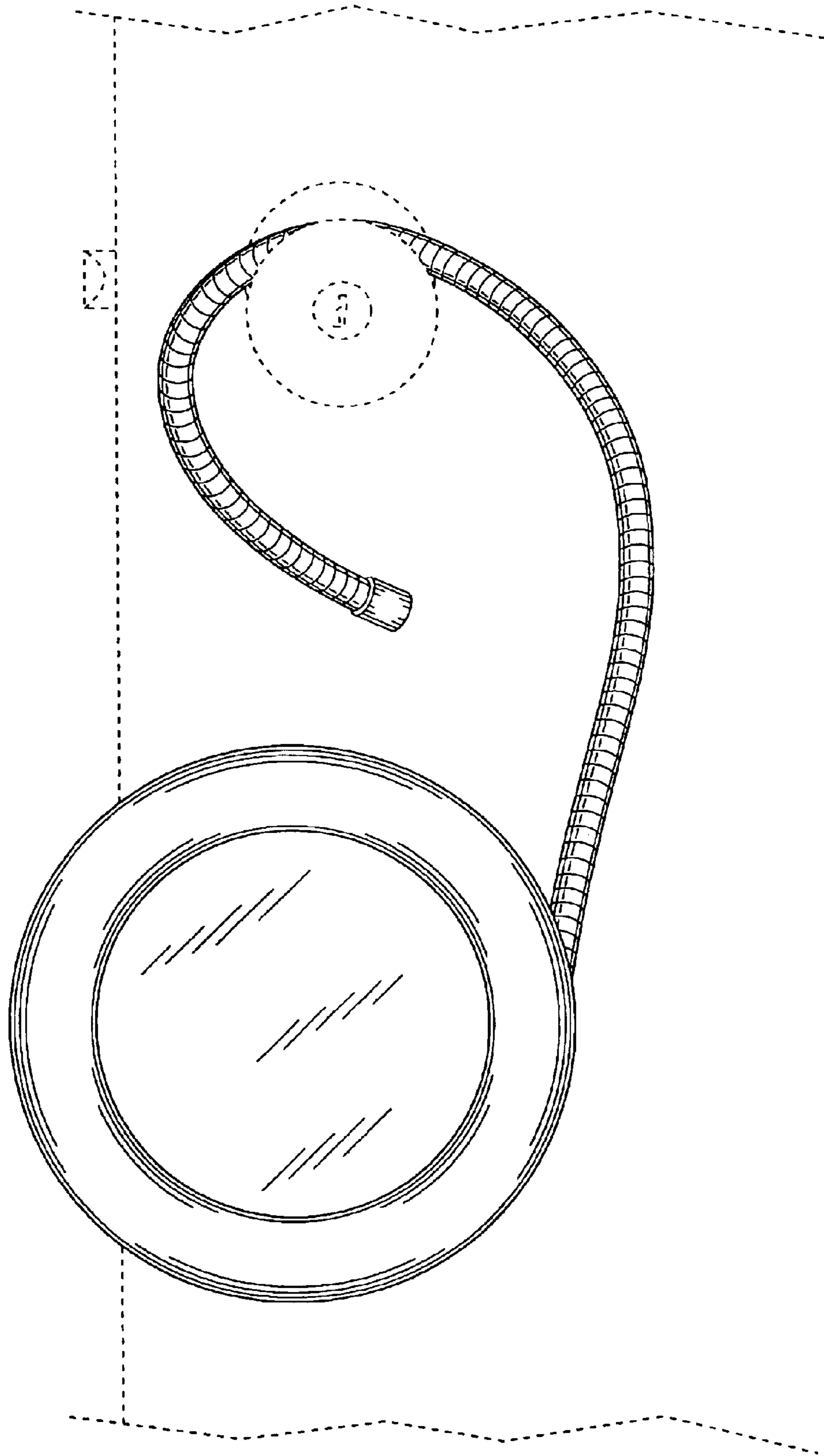


FIG. 8