



US00D491367S

(12) **United States Design Patent**
Moon

(10) **Patent No.:** **US D491,367 S**

(45) **Date of Patent:** **** Jun. 15, 2004**

(54) **LUGGAGE BEZEL**

D441,636 S * 5/2001 Wang D3/318
D444,696 S * 7/2001 Kuo D8/350

(76) Inventor: **Jerry Moon**, 5th Fl., 755, Ming Tzu E. Road, Taipei (TW)

* cited by examiner

(**) Term: **14 Years**

Primary Examiner—Catherine R. Oliver

(21) Appl. No.: **29/175,721**

(57) **CLAIM**

(22) Filed: **Feb. 10, 2003**

The ornamental design for a luggage bezel, as shown and described.

(51) **LOC (7) Cl.** **03-01**

DESCRIPTION

(52) **U.S. Cl.** **D3/318; D8/350**

(58) **Field of Search** D3/318, 319, 321, D3/276, 279, 281; 190/18 A, 115-118, 39, 100; D8/350, 353, 321, 300

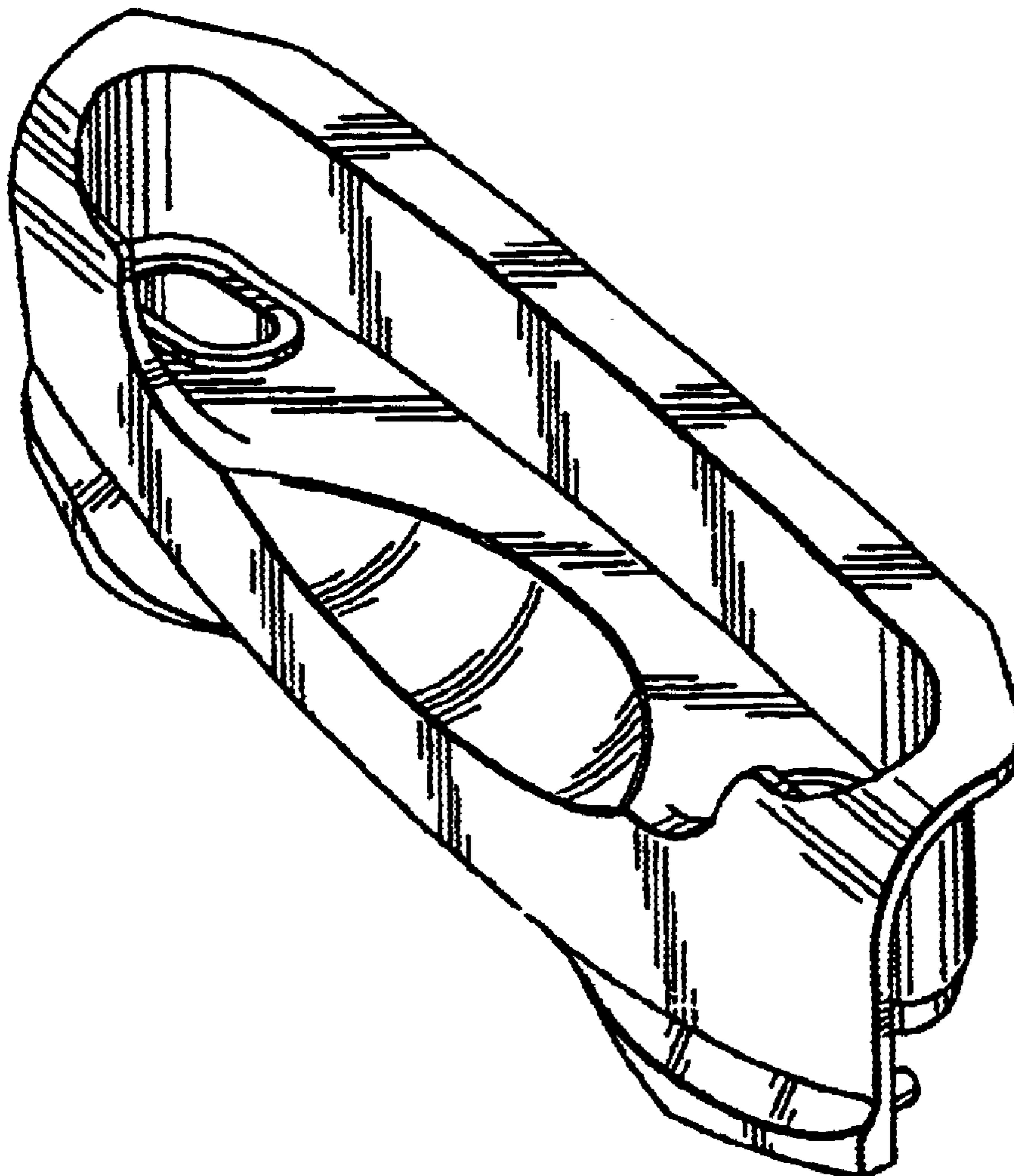
FIG. 1 is a prespective view of a luggage bezel showing my new design;
FIG. 2 is a front elevational view thereof;
FIG. 3 is a rear elevational view thereof;
FIG. 4 is a left side elevational view thereof;
FIG. 5 is a right side elevational view thereof;
FIG. 6 is a top plan view thereof; and,
FIG. 7 is a bottom plan view thereof.

(56) **References Cited**

U.S. PATENT DOCUMENTS

D417,134 S * 11/1999 Workman D3/318
D428,797 S * 8/2000 Lin D8/350
D440,046 S * 4/2001 Kuo D3/318

1 Claim, 3 Drawing Sheets



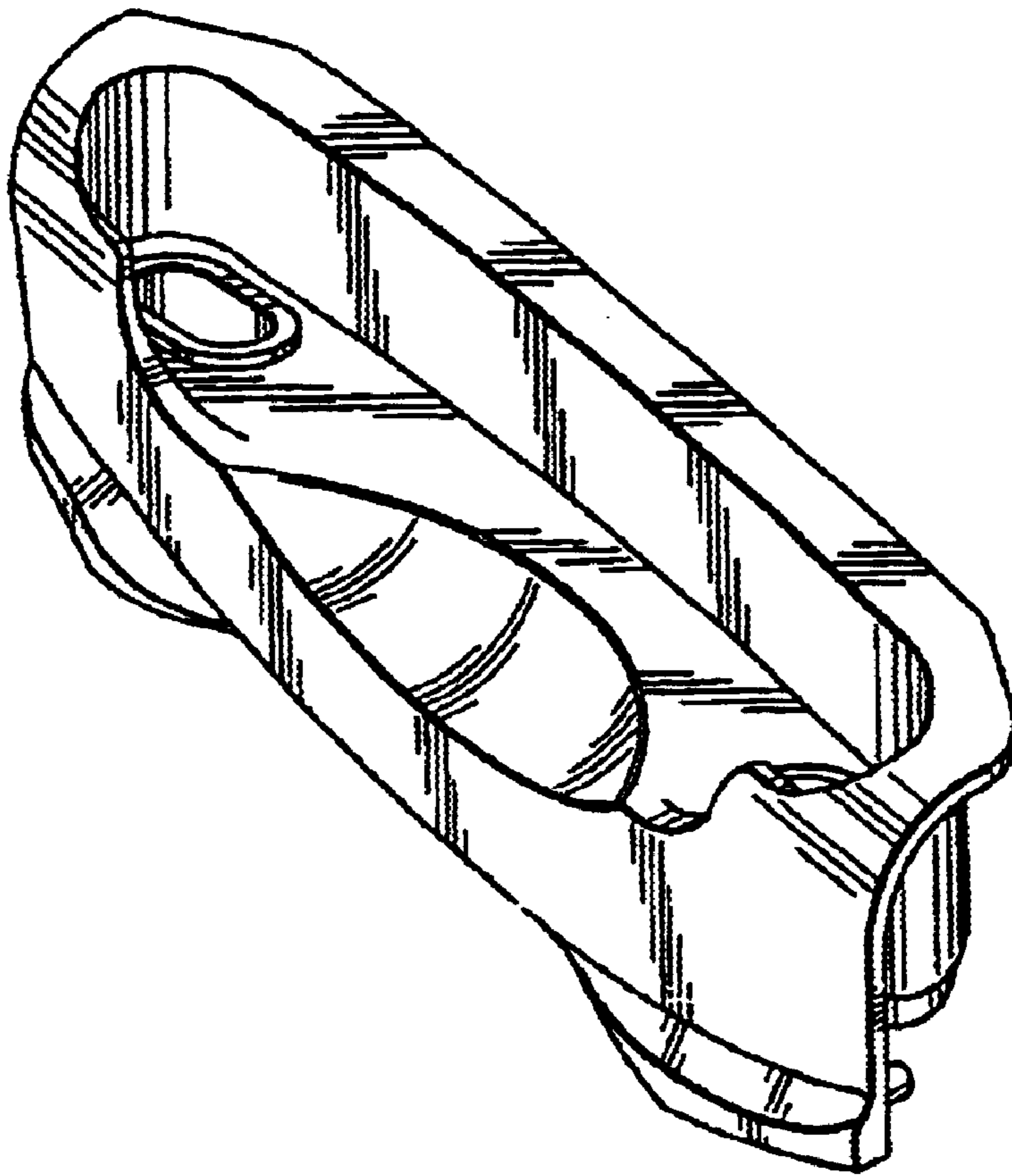


FIG. 1

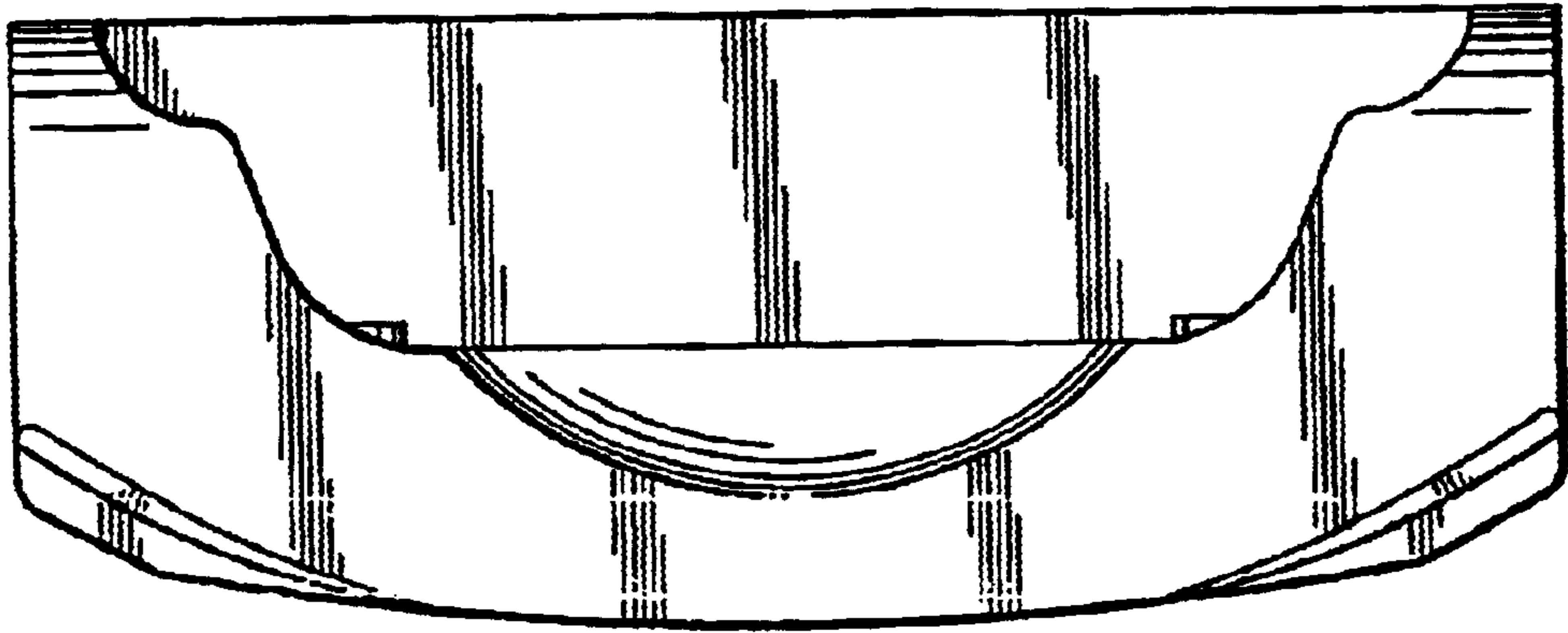


FIG. 2

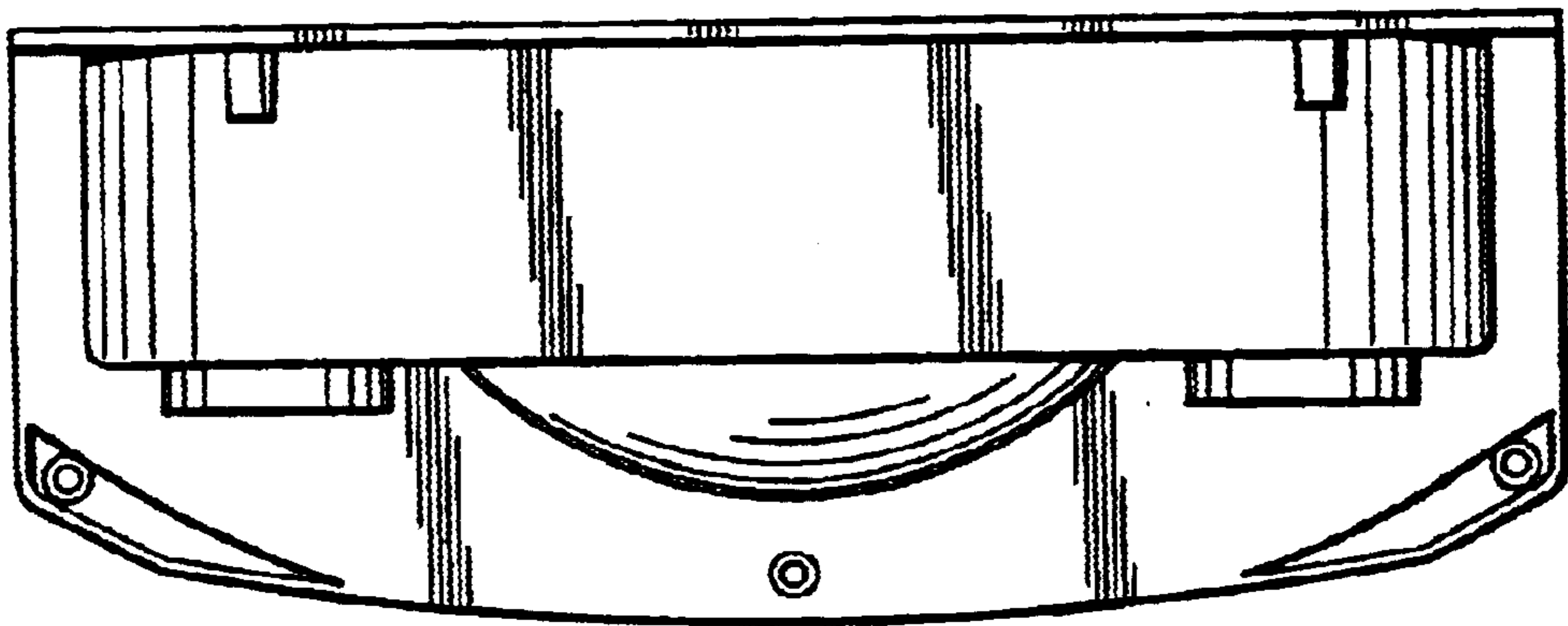


FIG. 3

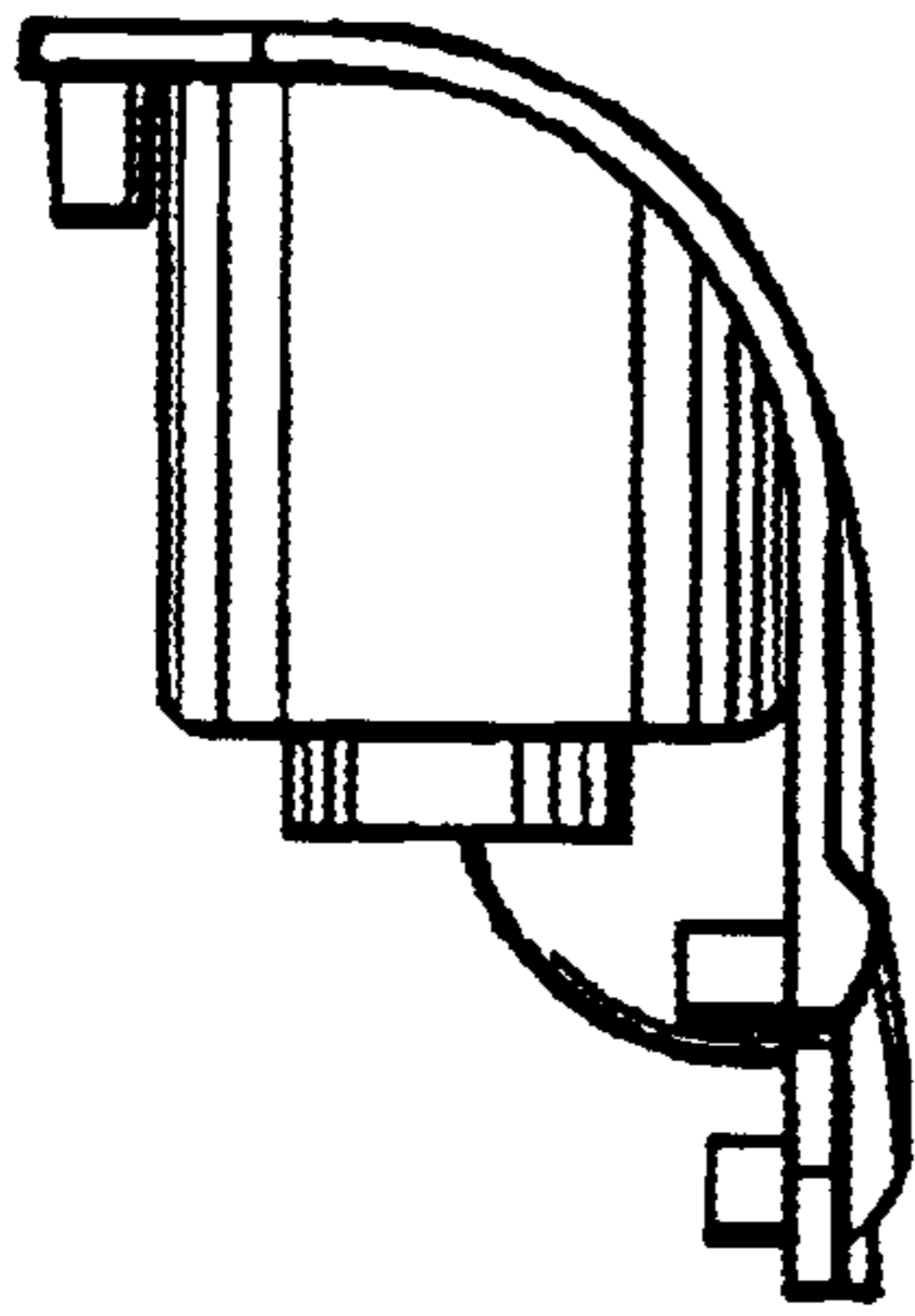


FIG. 4

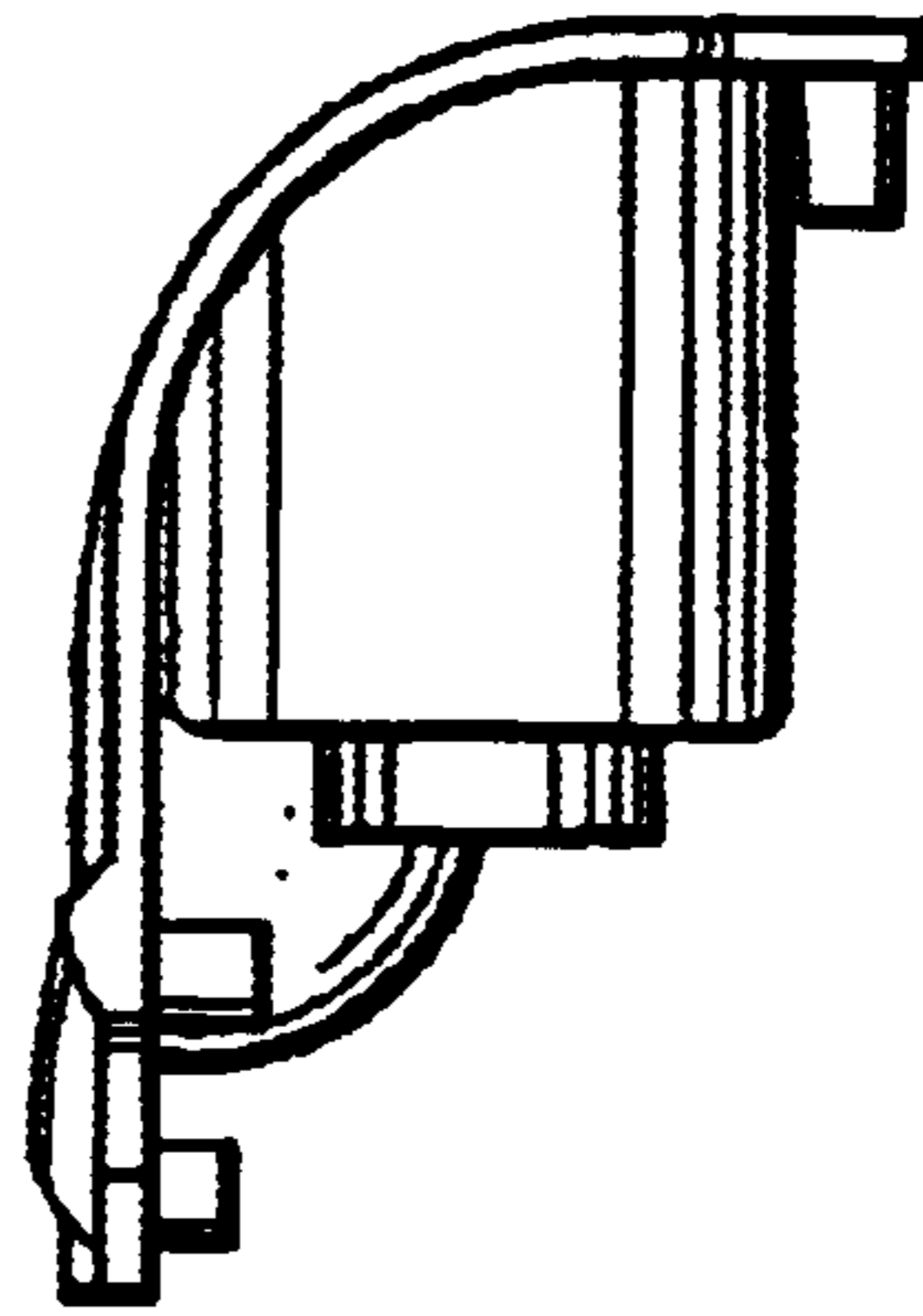


FIG. 5

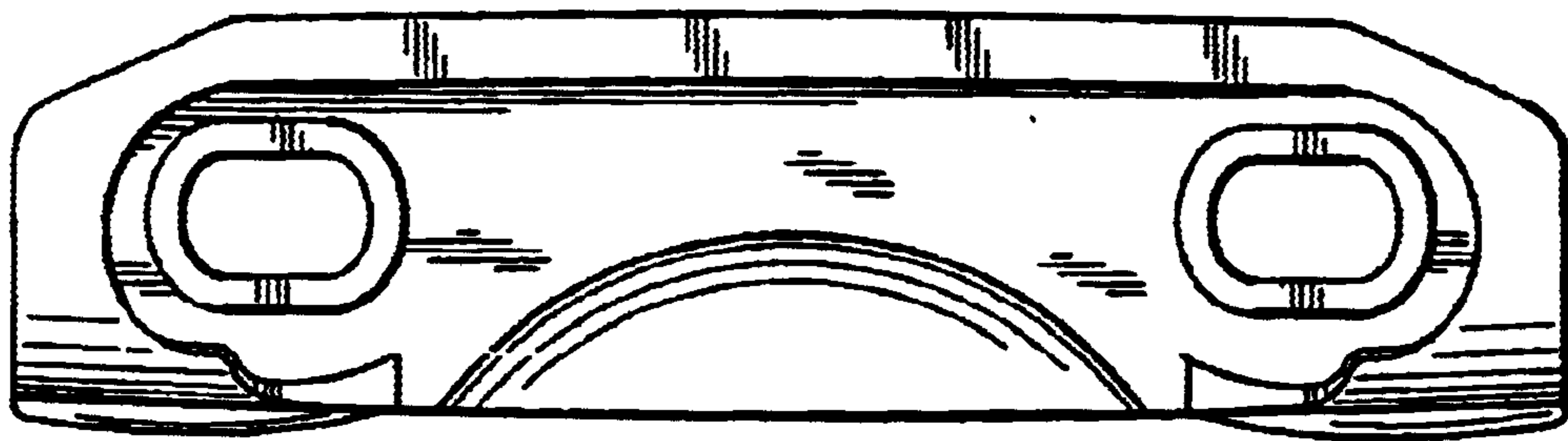


FIG. 6

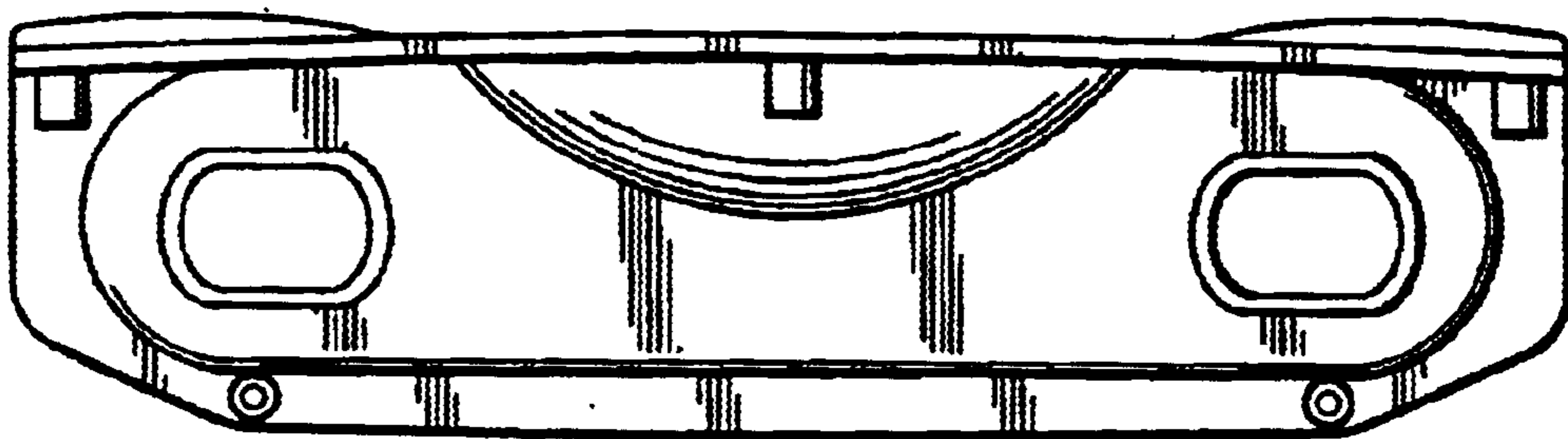


FIG. 7