



US00D491358S

(12) **United States Design Patent**
Hofman et al.

(10) **Patent No.:** **US D491,358 S**

(45) **Date of Patent:** **** Jun. 15, 2004**

(54) **SUPPLY BOX**

(75) Inventors: **James A. Hofman**, Robbinsville, NJ
(US); **Karl Niemi**, Waunakee, WI (US)

(73) Assignee: **Silk Road Gifts, Inc.**, Carlstadt, NJ
(US)

(**) Term: **14 Years**

(21) Appl. No.: **29/180,117**

(22) Filed: **Apr. 18, 2003**

(51) **LOC (7) Cl.** **03-01**

(52) **U.S. Cl.** **D3/273; D3/294**

(58) **Field of Search** D3/272, 273, 294,
D3/295, 302; D9/420, 423, 424, 425; 206/508,
509, 503; 220/324, 810, 837, 796

(56) **References Cited**

U.S. PATENT DOCUMENTS

| | | | | | |
|-------------|---|---------|-------------------|-------|---------|
| 3,698,783 A | * | 10/1972 | Swett et al. | | 312/351 |
| D329,331 S | * | 9/1992 | Hobson | | D3/294 |
| D381,512 S | * | 7/1997 | Green | | D3/294 |
| D391,762 S | * | 3/1998 | Ahern, Jr. | | D3/302 |
| D401,763 S | * | 12/1998 | Wolff | | D3/273 |
| D411,040 S | * | 6/1999 | Gilbertson et al. | | D3/294 |
| D412,786 S | * | 8/1999 | Killinger | | D3/273 |

| | | | | | |
|--------------|---|---------|----------------|-------|---------|
| D437,685 S | * | 2/2001 | Liu | | D3/294 |
| 6,318,586 B1 | * | 11/2001 | Frankenberg | | 220/626 |
| D452,374 S | * | 12/2001 | Kim | | D3/302 |
| D454,689 S | * | 3/2002 | Gonda et al. | | D3/294 |
| 6,371,364 B1 | * | 4/2002 | Maillot et al. | | 229/114 |
| D463,912 S | * | 10/2002 | Liebe | | D3/294 |

* cited by examiner

Primary Examiner—Philip S. Hyder

(74) *Attorney, Agent, or Firm*—Foley & Lardner LLP

(57) **CLAIM**

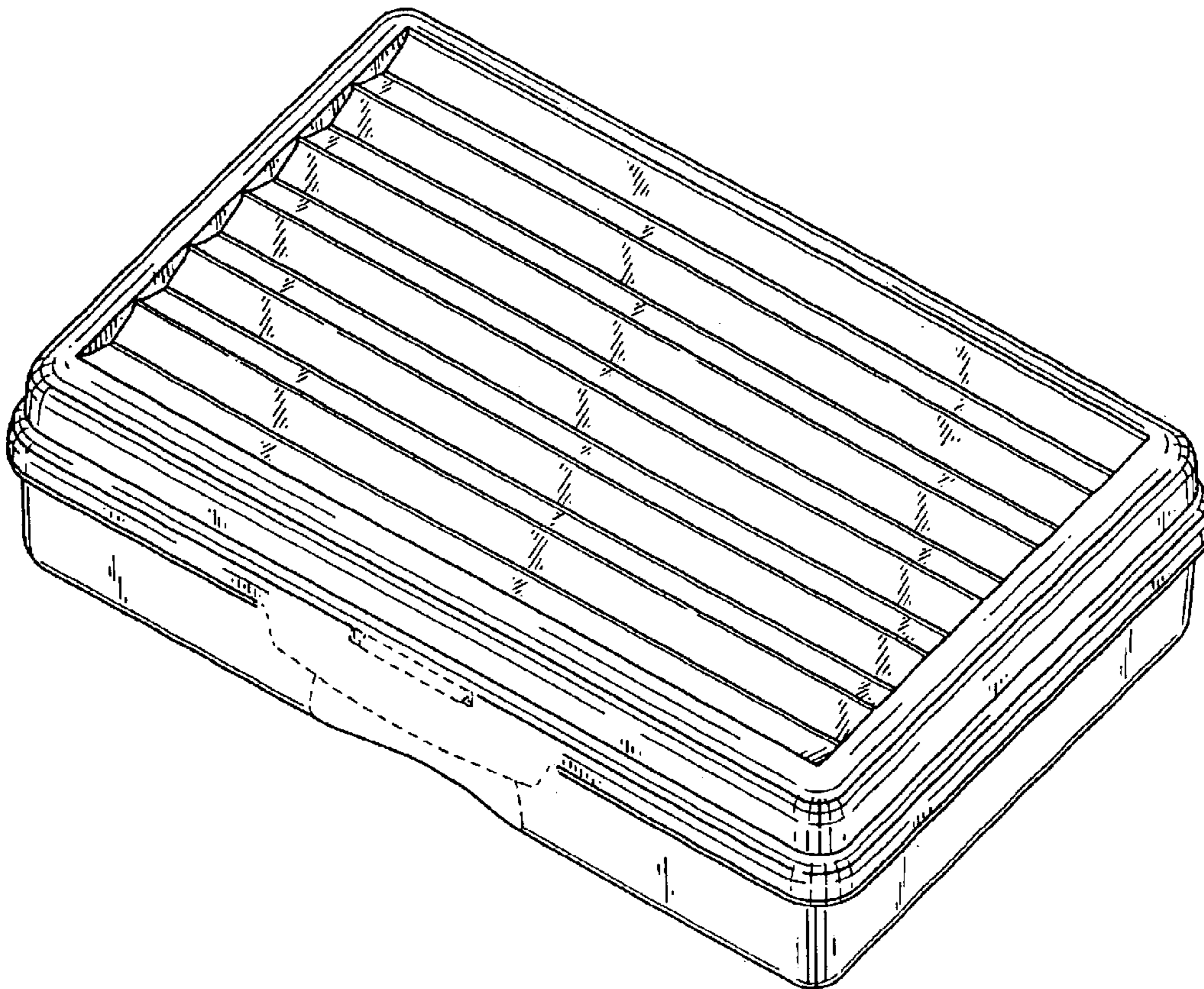
We claim the ornamental design for a supply box, as shown and described.

DESCRIPTION

FIG. 1 is a front elevation view of a supply box; FIG. 2 is a rear elevation view of a supply box; FIG. 3 is a right elevation view of a supply box; FIG. 4 is a left elevation view of a supply box; FIG. 5 is a top plan view of a supply box; FIG. 6 is a bottom plan view of a supply box; and, FIG. 7 is a perspective view of a supply box.

The ornamental design which is claimed is shown in solid lines in the drawings. The broken lines in the drawings are for illustrative purposes only and form no part of the claimed design.

1 Claim, 5 Drawing Sheets



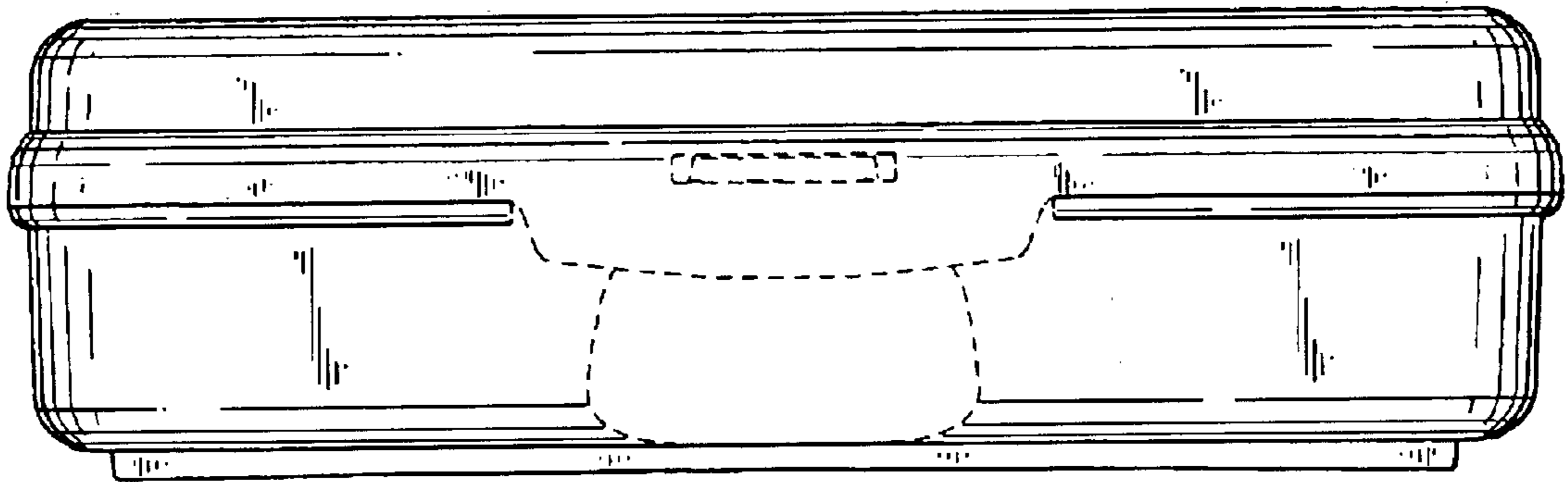


FIG. 1

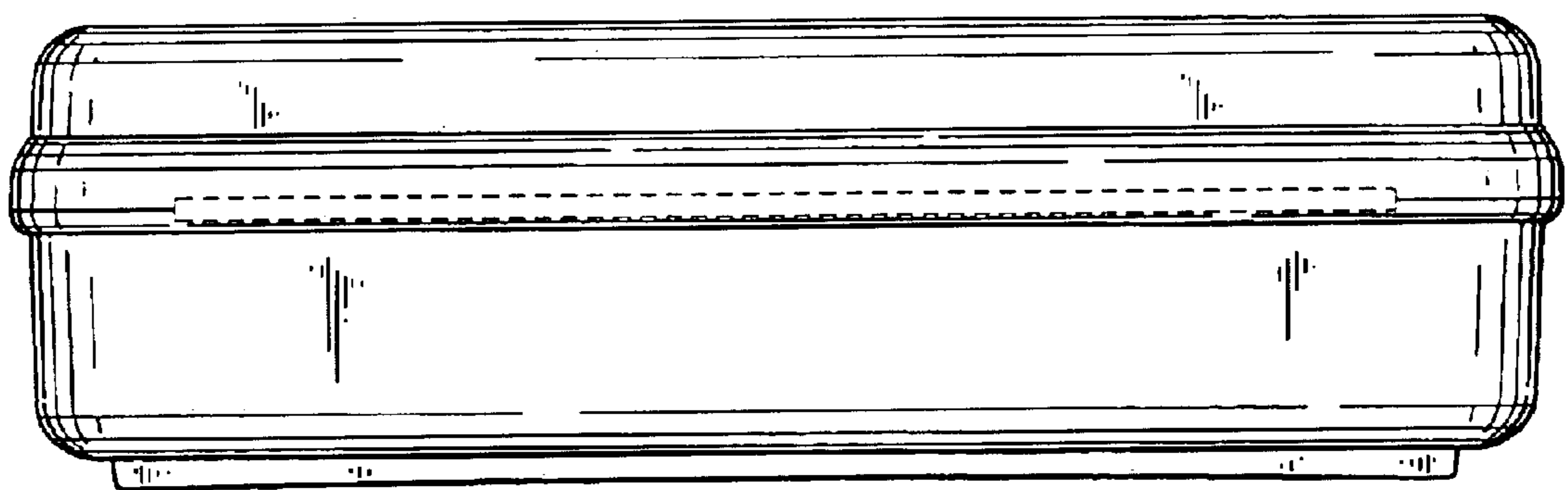


FIG. 2

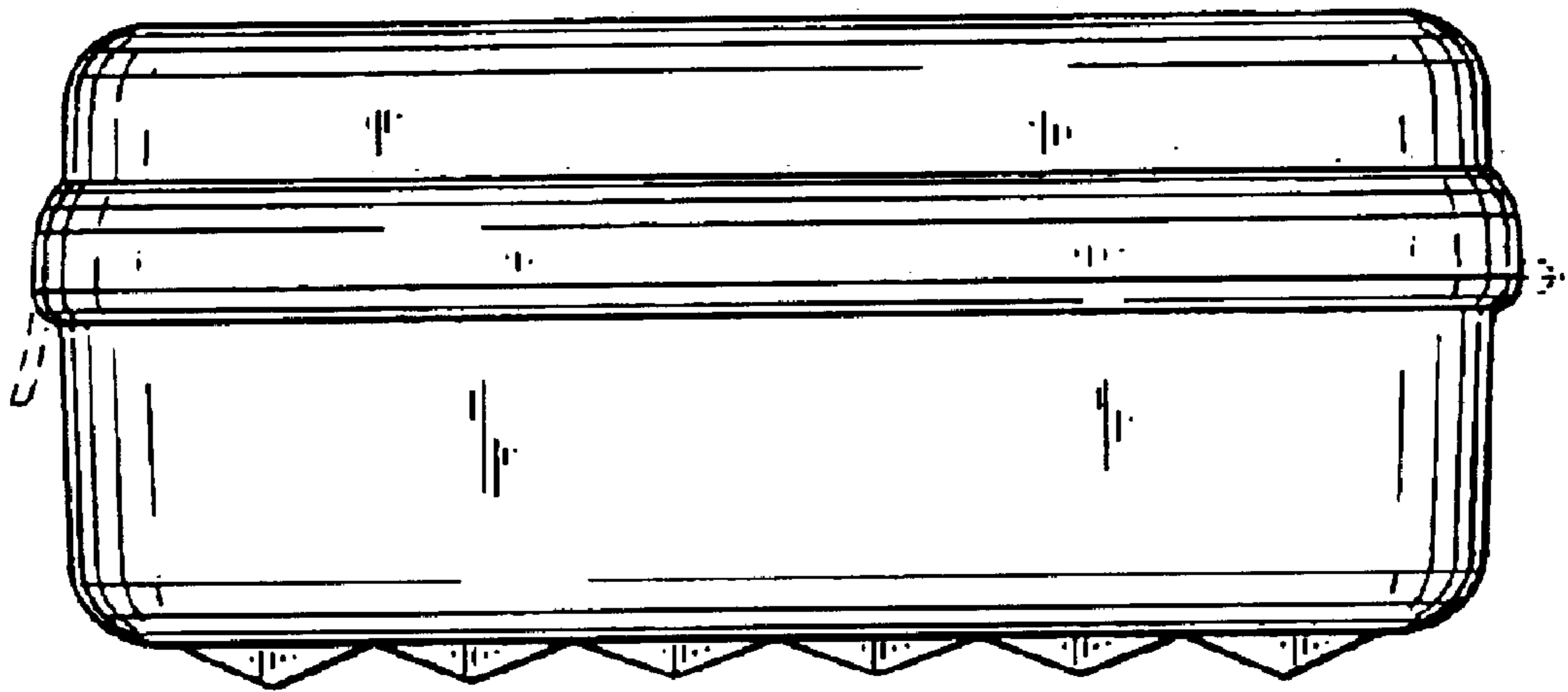


FIG. 3

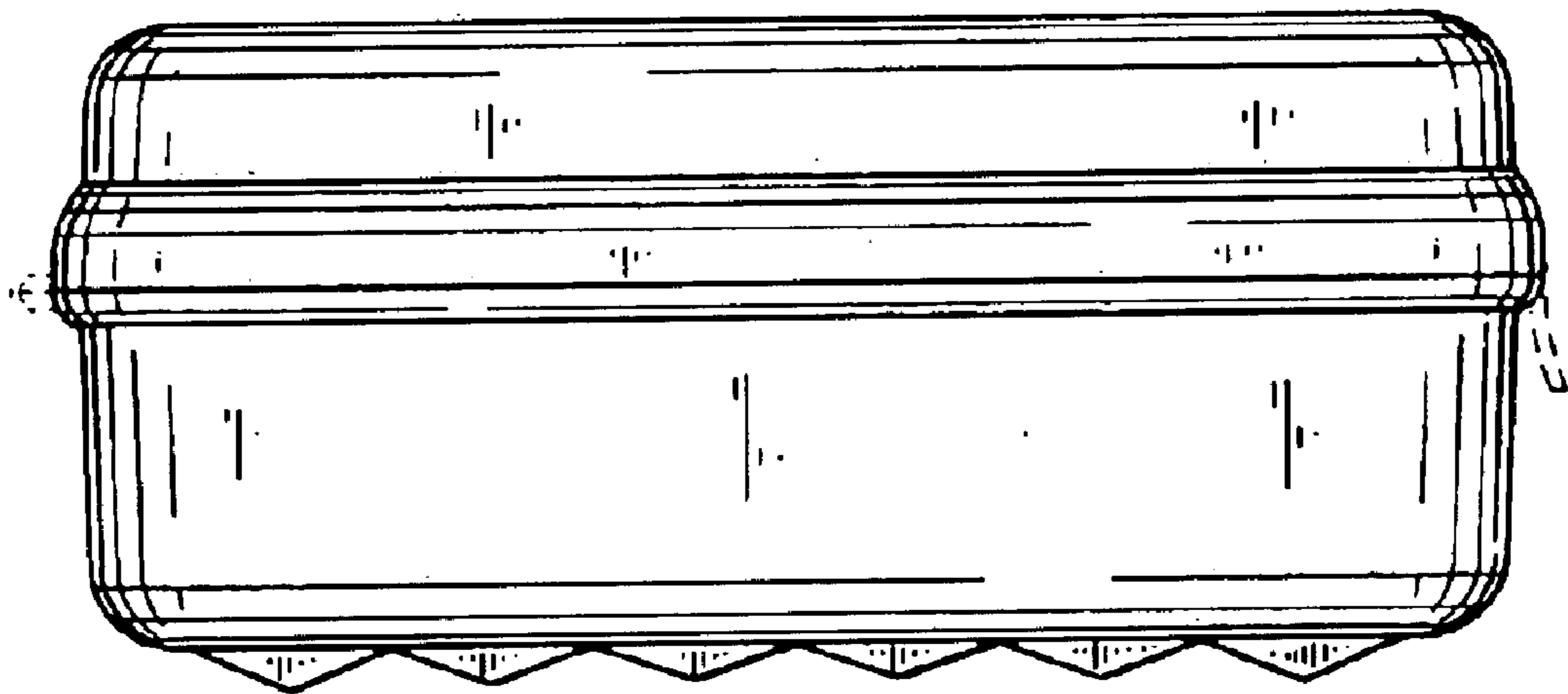


FIG. 4

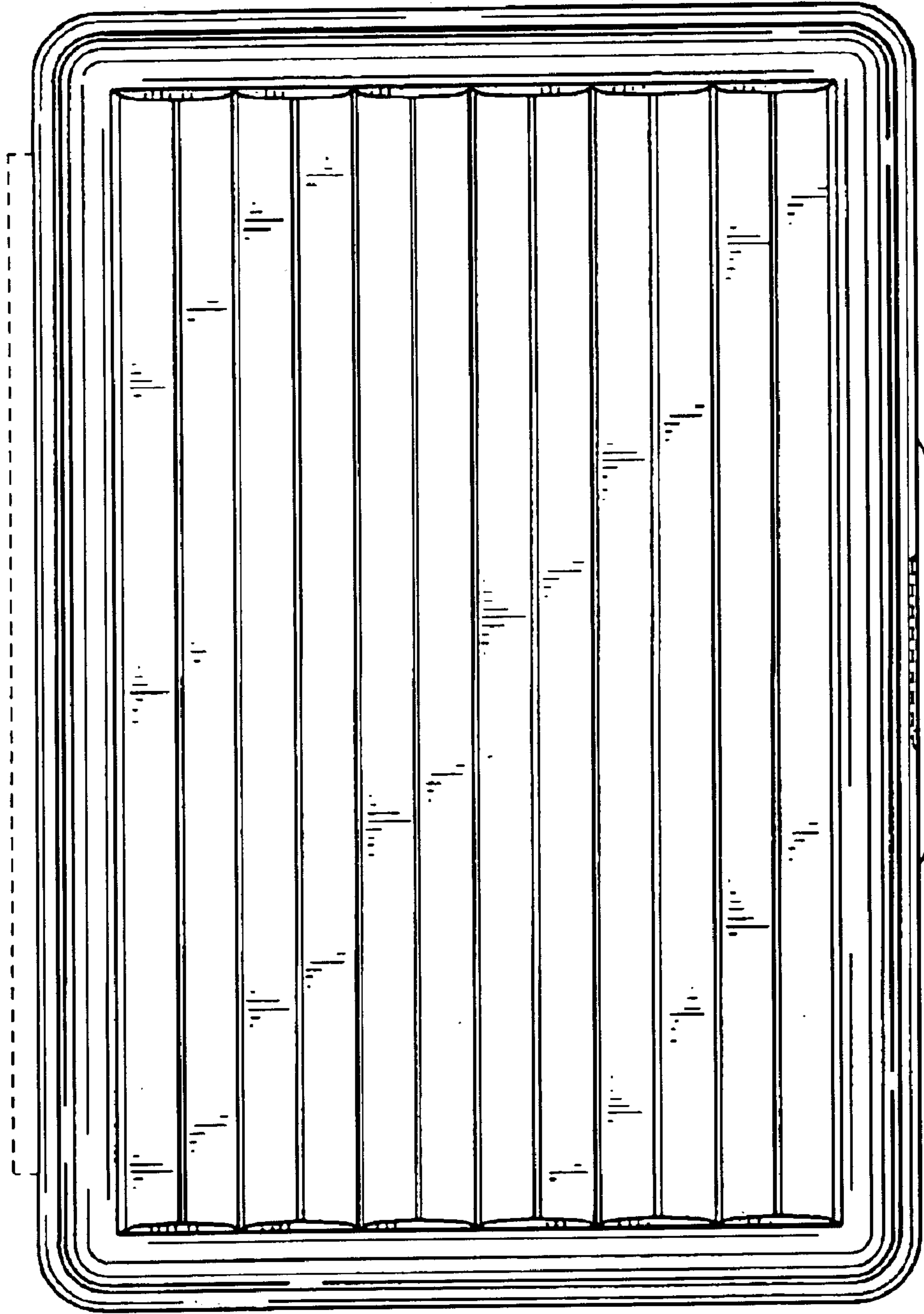


FIG. 5

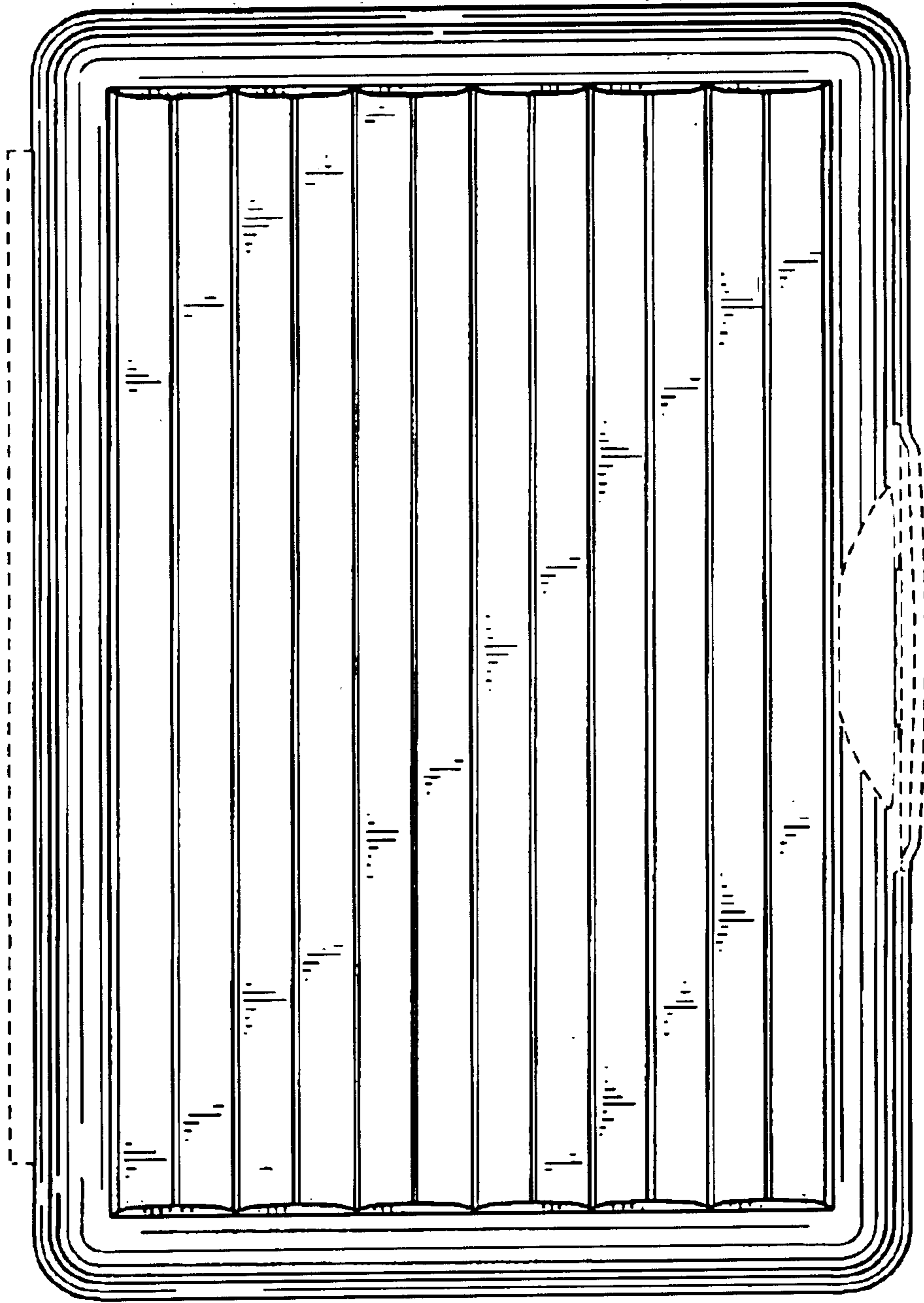


FIG. 6

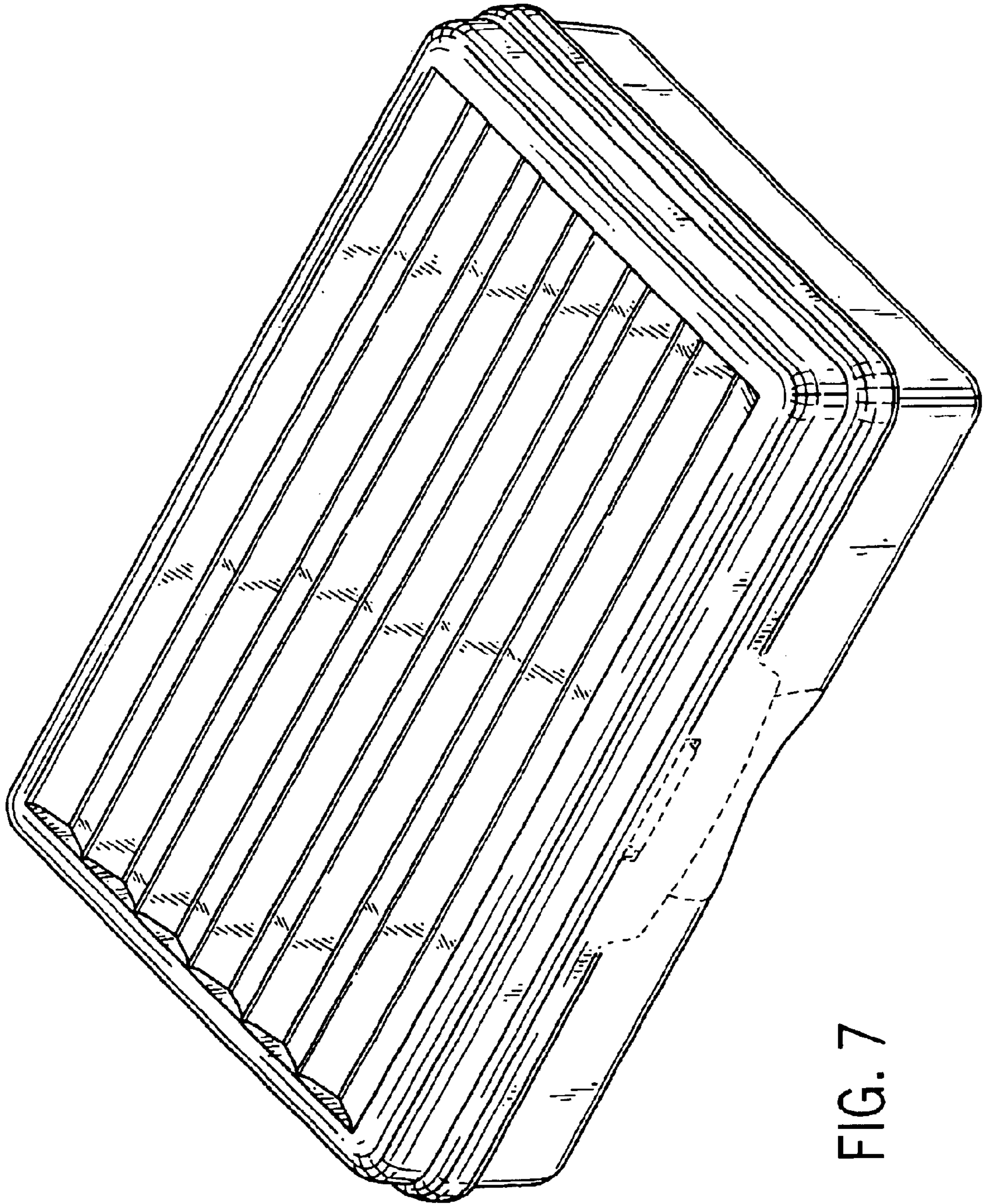


FIG. 7