



US00D491356S

(12) **United States Design Patent**  
**Cameron et al.**

(10) **Patent No.:** **US D491,356 S**

(45) **Date of Patent:** **\*\* Jun. 15, 2004**

(54) **HOCKEY EQUIPMENT CARRYING CASE**

6,431,627 B1 \* 8/2002 Tomeny ..... 294/163  
6,575,513 B2 \* 6/2003 Pikel ..... 294/159

(76) Inventors: **Timothy Frazer Cameron, #25**  
Country Style T. P., Drayton Valley,  
Alberta (CA), T7A 1L8; **Leonard John  
Cartwright**, RR 1 P. O. Box 2, Site  
433, Compartment #6, Drayton Valley,  
Alberta (CA), T7A 2A1

\* cited by examiner

*Primary Examiner*—Philip S. Hyder  
(74) *Attorney, Agent, or Firm*—William L. Chapin

(\*\*) Term: **14 Years**

(57) **CLAIM**

The ornamental design for a hockey equipment carrying case, as shown and described.

(21) Appl. No.: **29/182,442**

**DESCRIPTION**

(22) Filed: **May 28, 2003**

(51) **LOC (7) Cl.** ..... **03-01**

(52) **U.S. Cl.** ..... **D3/259; D3/254**

(58) **Field of Search** ..... D3/254, 259; 294/147,  
294/159, 161, 163, 166, 170; 206/315.1

FIG. 1 is a perspective view of a hockey equipment carrying case according to the present invention, showing in phantom two pairs of hockey sticks held in the carrier.

FIG. 2 is a right side perspective view of the case of FIG. 1, with left and right lids thereof pivoted away from a central body portion of the case to reveal inner structure thereof, and in phantom, optional cushioning pads, and a hockey puck. FIG. 3 is a rear elevation view of the carrying case of FIG. 1, the front side elevation view being a mirror image of FIG. 3.

(56) **References Cited**

**U.S. PATENT DOCUMENTS**

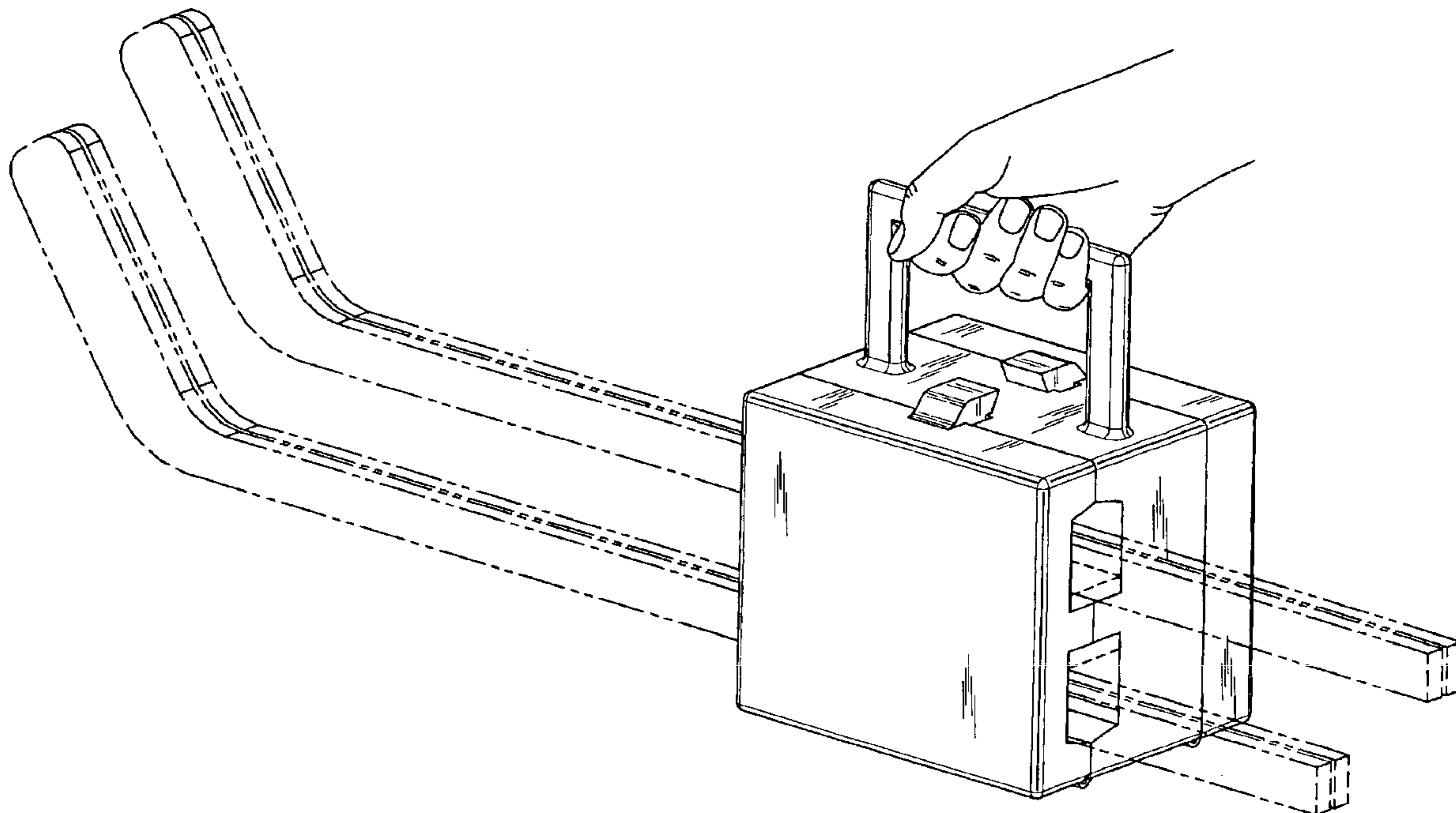
- D245,041 S \* 7/1977 Covell ..... D3/259
- 4,274,571 A \* 6/1981 Lafreniere et al. .... 294/147
- 4,294,387 A \* 10/1981 Wnek ..... 224/315
- 4,326,747 A \* 4/1982 Finnegan ..... 294/147
- 4,458,935 A \* 7/1984 Fields, Jr. .... 294/147
- D280,360 S \* 9/1985 Fields, Jr. .... D3/259
- D351,498 S \* 10/1994 Stebbins ..... D3/259
- 5,954,379 A \* 9/1999 Pikel ..... 294/159
- D438,377 S \* 3/2001 Wadeyka et al. .... D3/259

FIG. 4 is a left side elevation view of the case of FIG. 1, the right side elevation view being a mirror image thereof.

FIG. 5 is a top plan view of the case of FIG. 1; and, FIG. 6 is a bottom plan view of the case of FIG. 1.

The broken line phantom structure is for illustrative purposes only and forms no part of the claimed design.

**1 Claim, 4 Drawing Sheets**



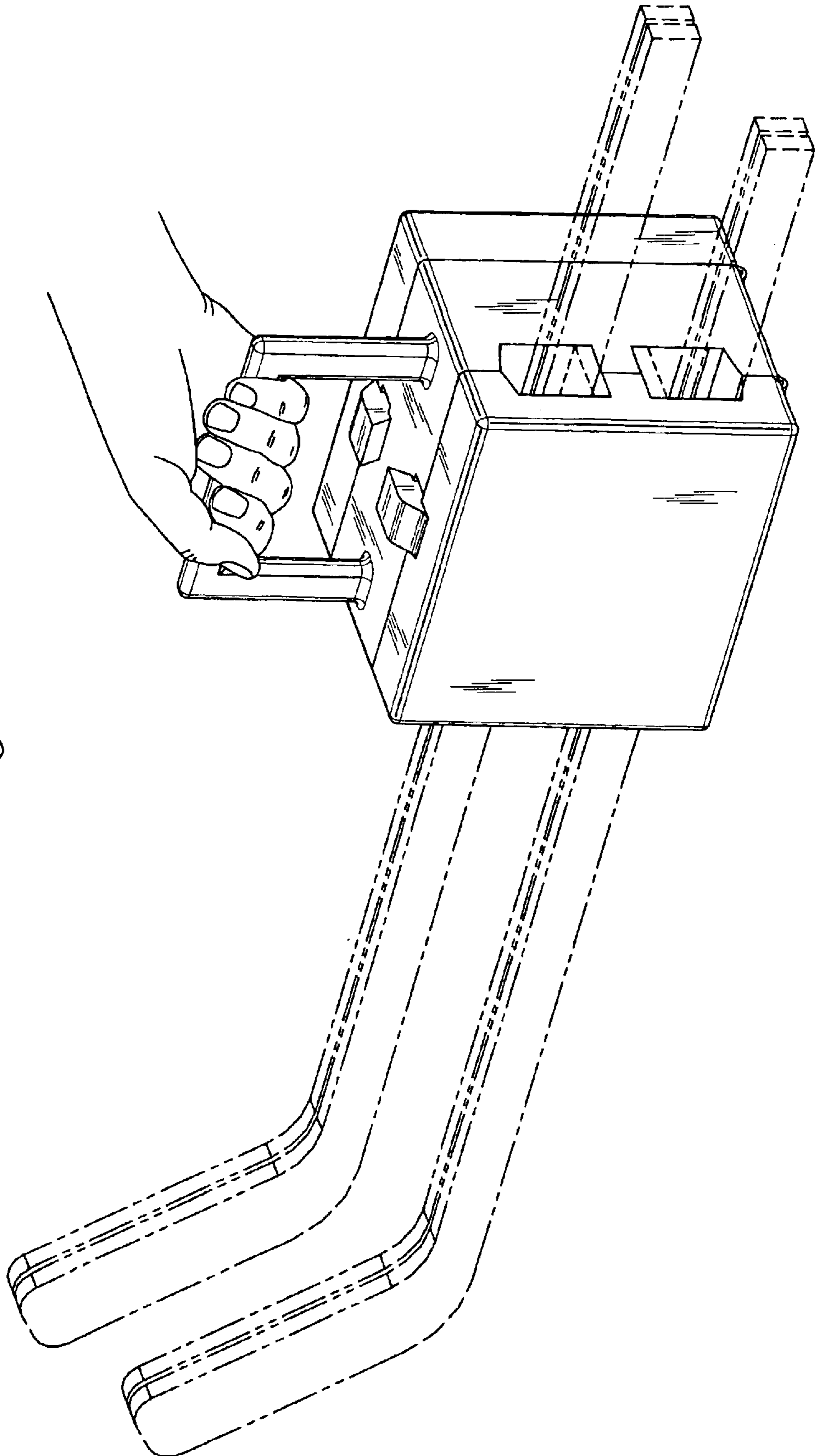
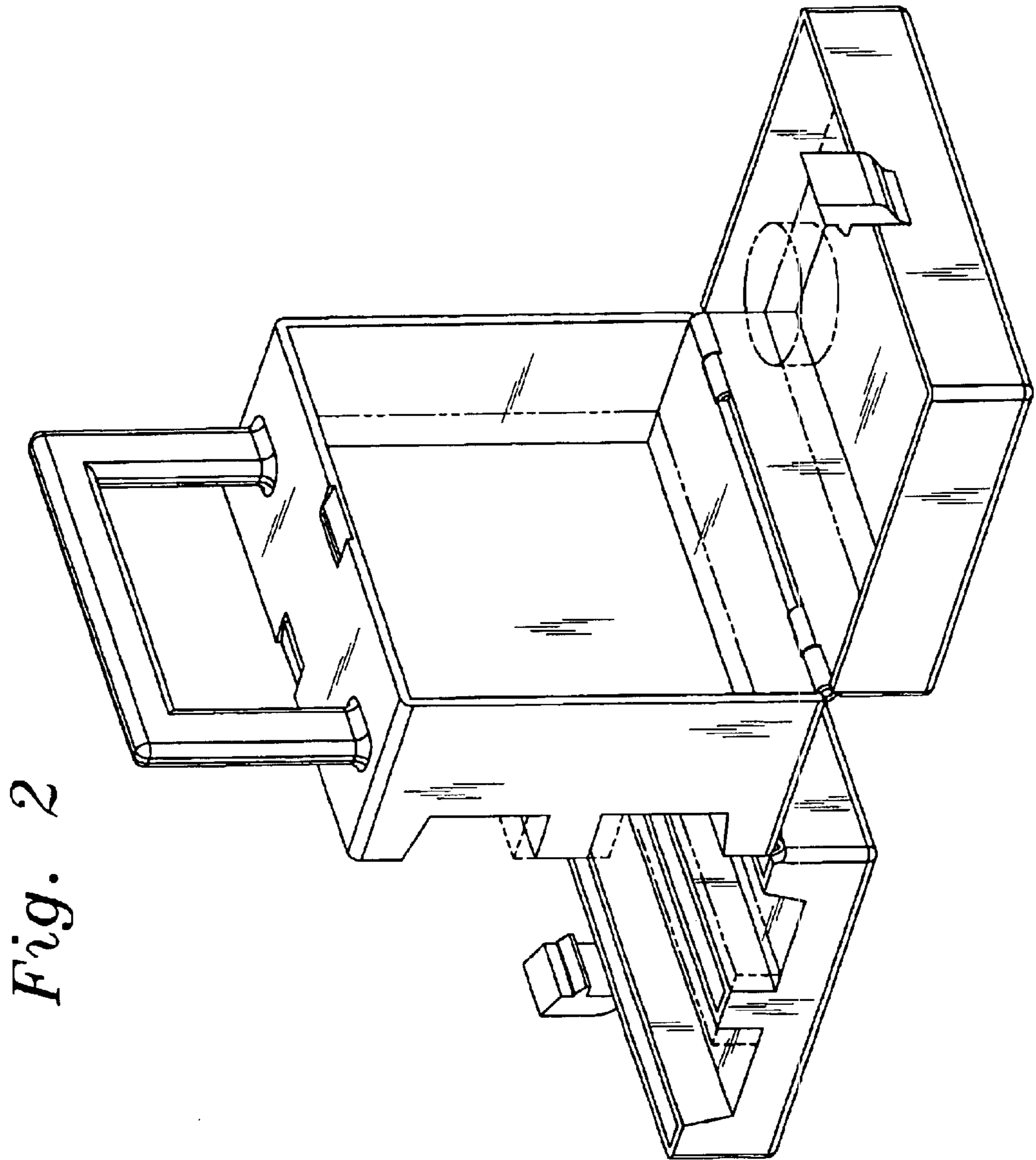
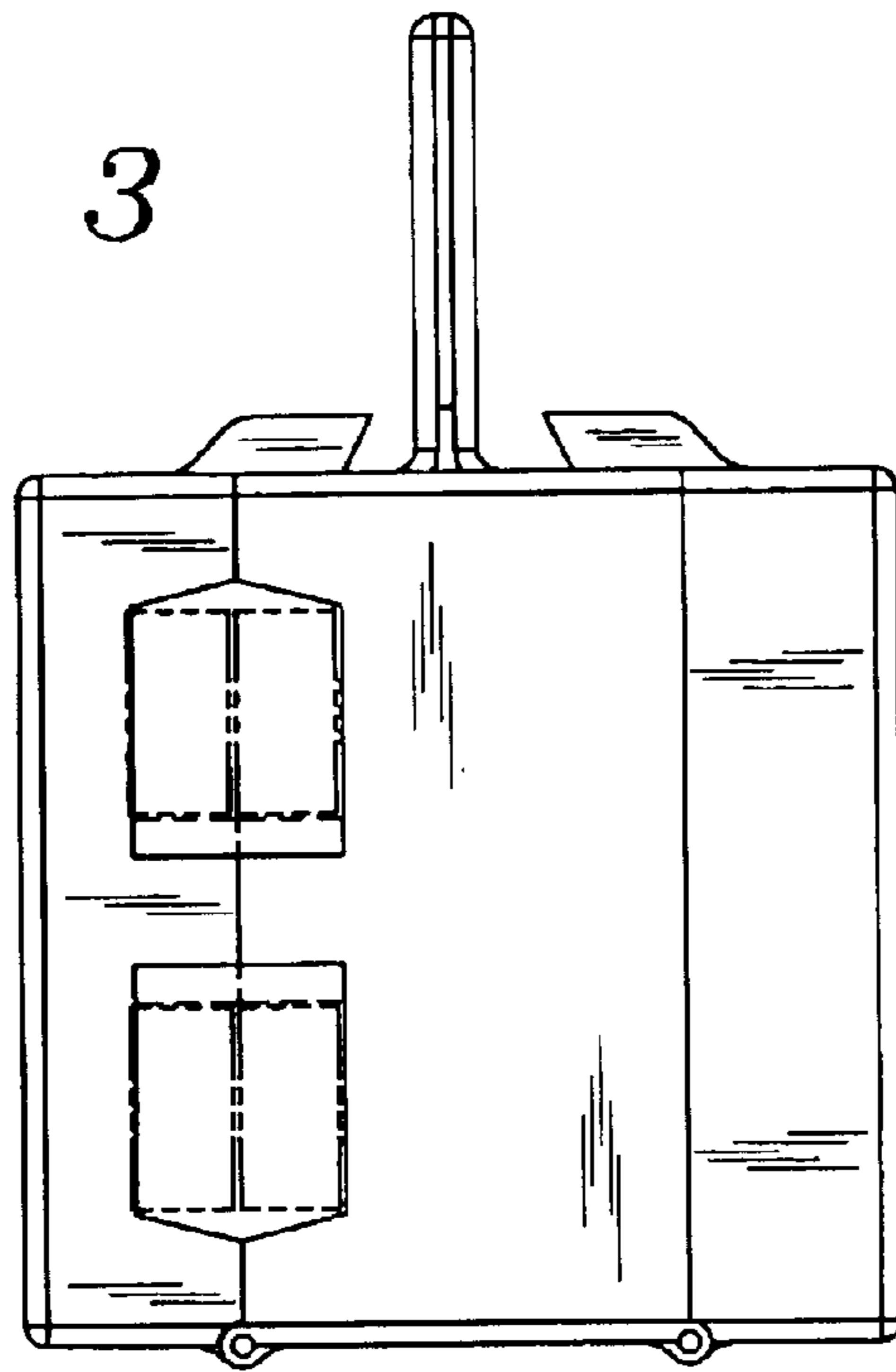


Fig. 1

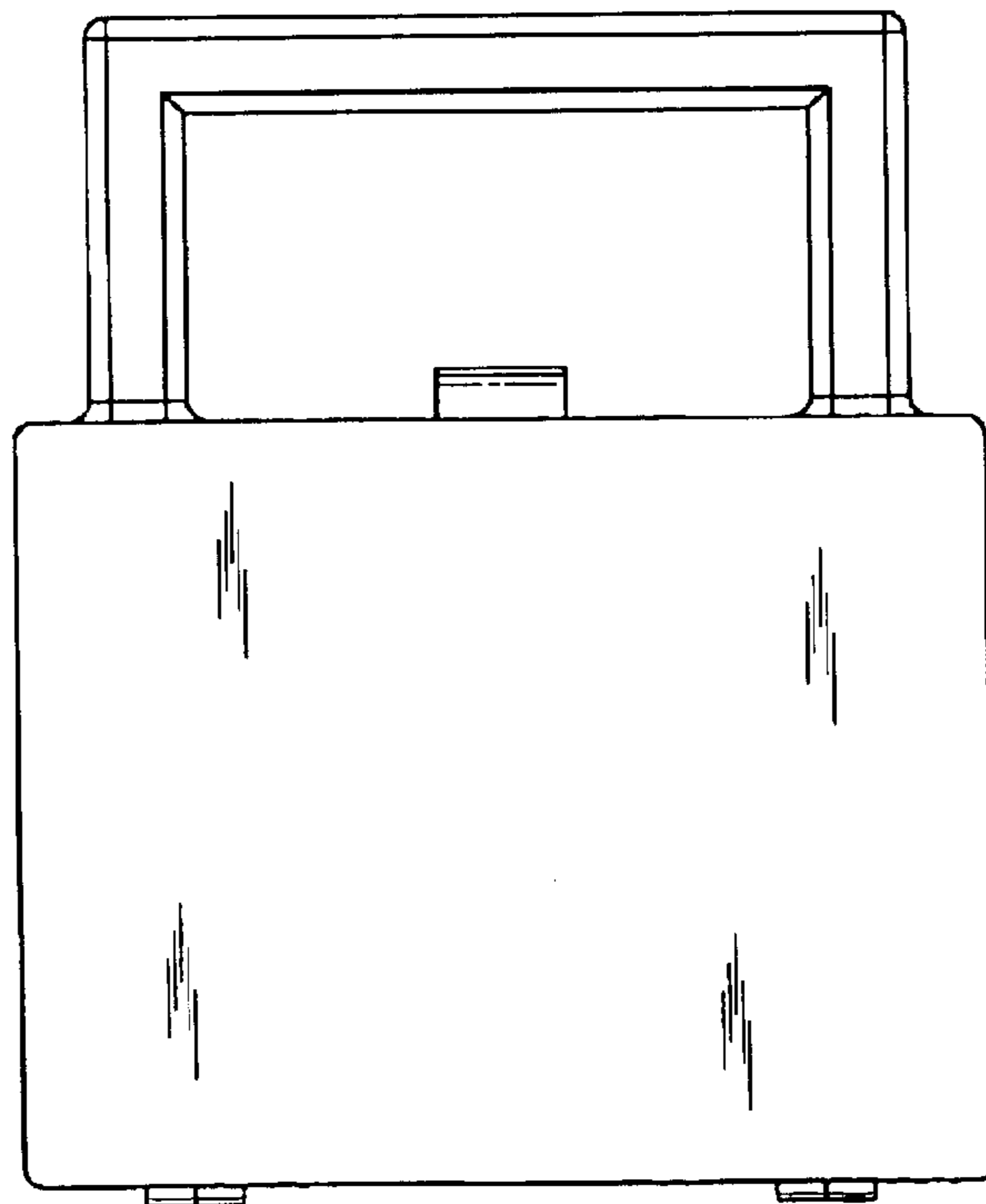


*Fig. 2*

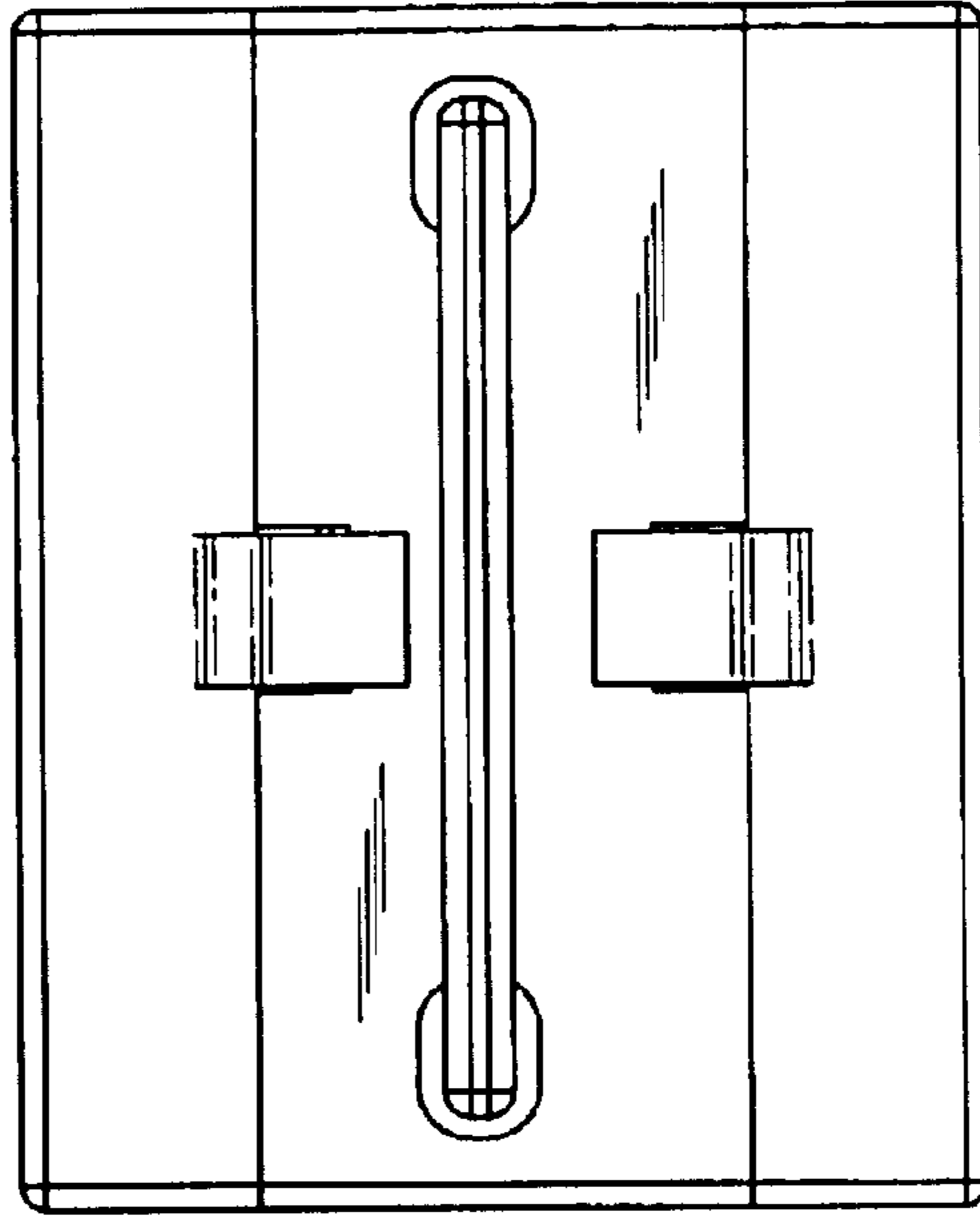
*Fig. 3*



*Fig. 4*



*Fig. 5*



*Fig. 6*

