



US00D491355S

(12) **United States Design Patent**
Slot

(10) **Patent No.:** **US D491,355 S**

(45) **Date of Patent:** **** Jun. 15, 2004**

(54) **WALLET WITH ADJUSTABLE ATTACHMENT MECHANISM**

(75) **Inventor:** **Alexander Sloot**, Sugarloaf, PA (US)

(73) **Assignee:** **Printmark Industries, Inc.**, Hazleton, PA (US)

(**) **Term:** **14 Years**

(21) **Appl. No.:** **29/157,593**

(22) **Filed:** **Mar. 21, 2002**

(51) **LOC (7) Cl.** **03-01**

(52) **U.S. Cl.** **D3/247**

(58) **Field of Search** D3/247, 248, 249, D3/250, 253, 289; 150/109, 112, 131, 132, 136, 141, 143, 144; 224/236

(56) **References Cited**

U.S. PATENT DOCUMENTS

1,832,900 A * 11/1931 Godfrey 150/109
2,018,809 A * 10/1935 Rodgers D3/289
D157,738 S * 3/1950 Chase 150/136

D161,264 S * 12/1950 Jeffery 150/136
2,620,005 A * 12/1952 Hall 150/112
5,755,366 A * 5/1998 Mazzo 224/236
D464,195 S * 10/2002 Gribovsky D3/250

* cited by examiner

Primary Examiner—Louis S. Zarfes

Assistant Examiner—Monica A. Weingart

(74) *Attorney, Agent, or Firm*—St. Onge Steward Johnston & Reens LLC

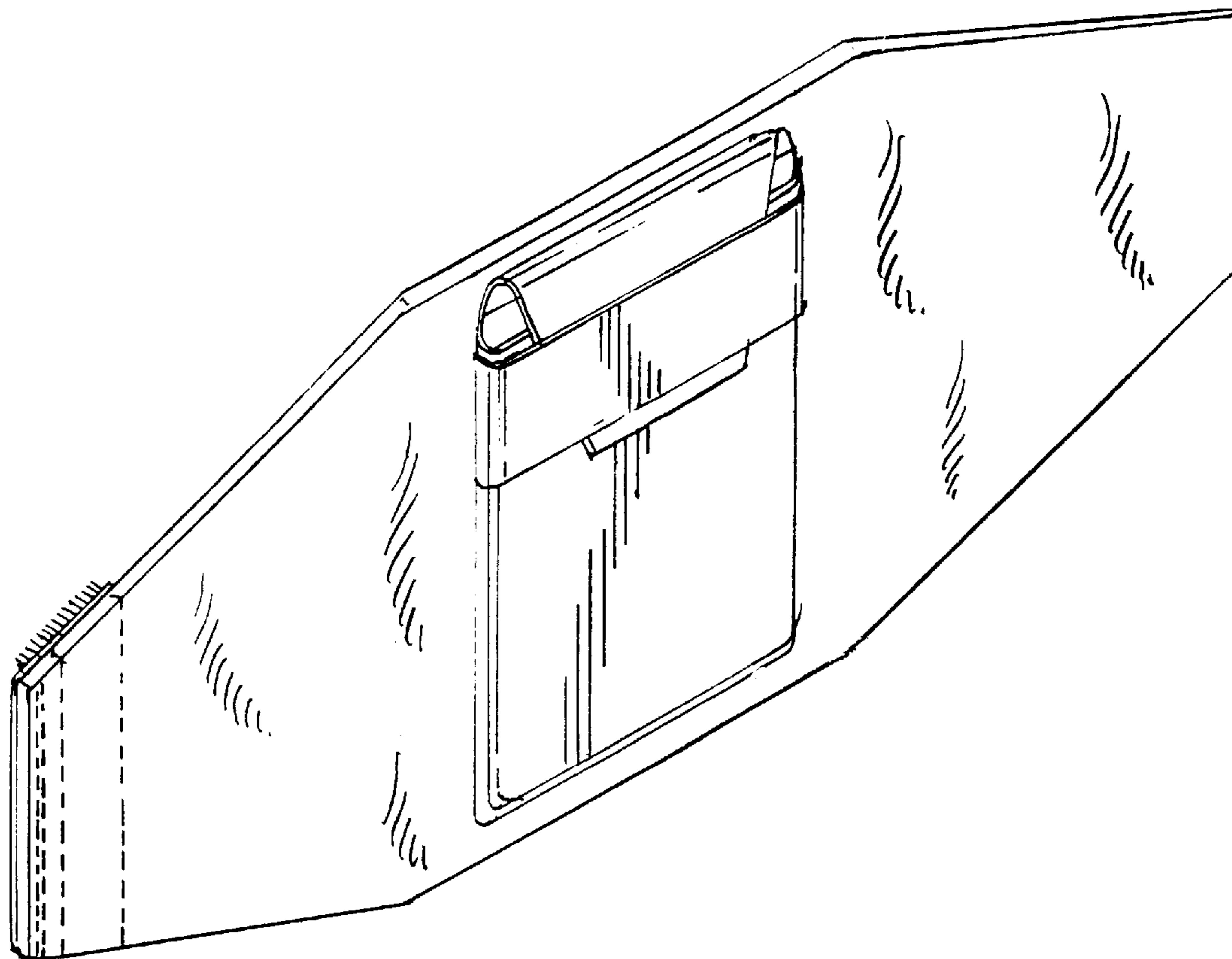
(57) **CLAIM**

I claim the ornamental design for wallet with adjustable attachment mechanism, as shown and described.

DESCRIPTION

FIG. 1 is a front perspective view of a wallet with adjustable attachment mechanism showing my new design; FIG. 2 is a front elevational view thereof; FIG. 3 is a top plan view thereof; FIG. 4 is a rear elevational view thereof; FIG. 5 is a bottom plan view thereof; and, FIG. 6 is an end elevational view thereof.

1 Claim, 2 Drawing Sheets



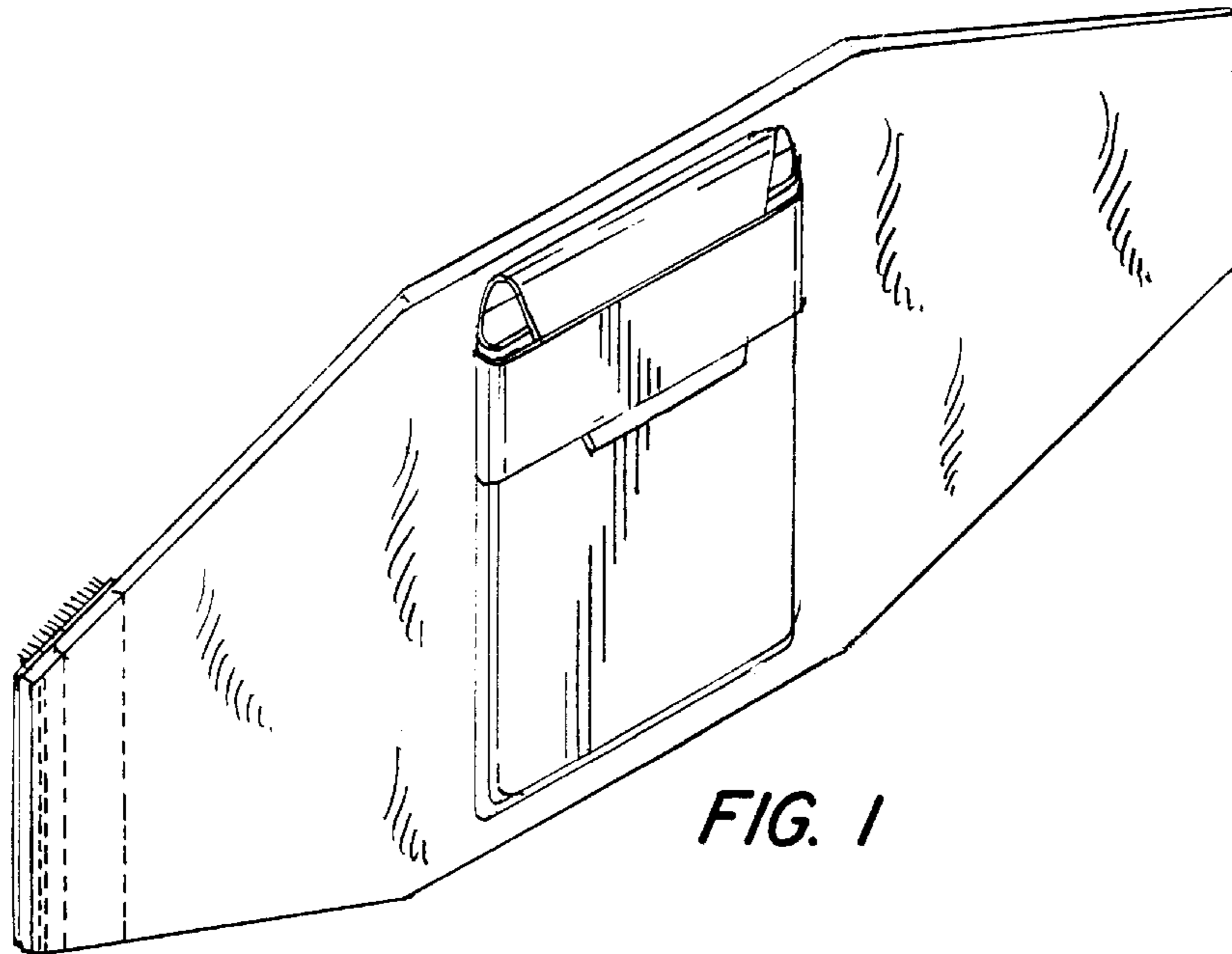


FIG. 1

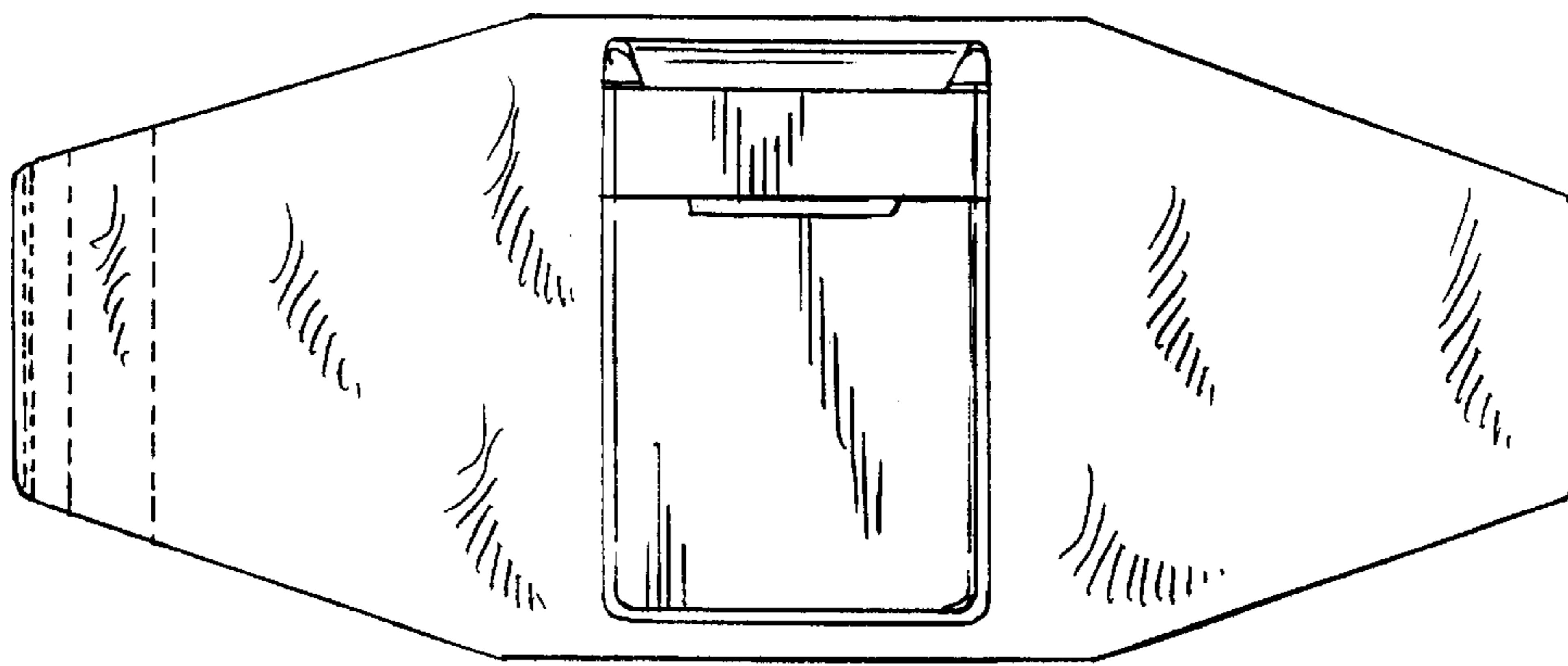


FIG. 2

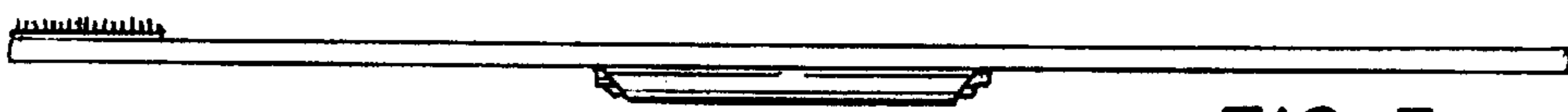


FIG. 3

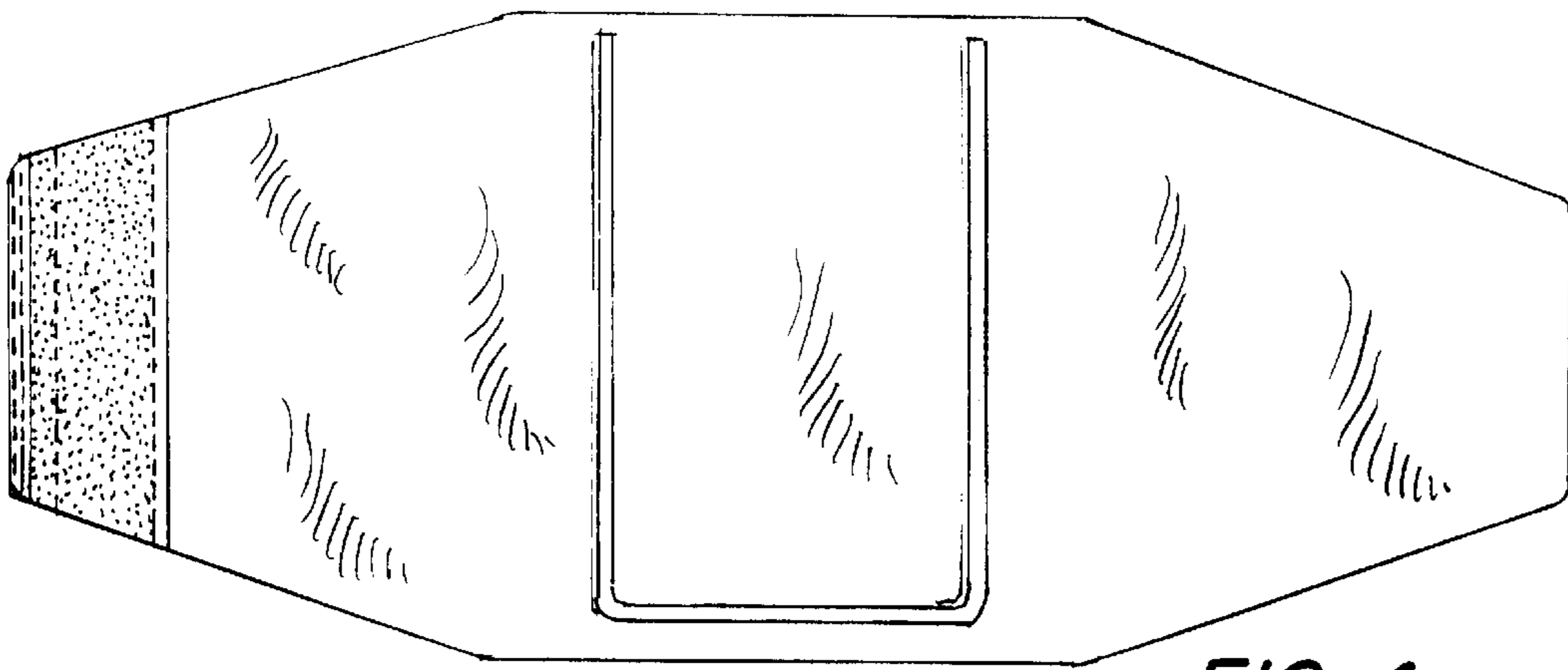


FIG. 4

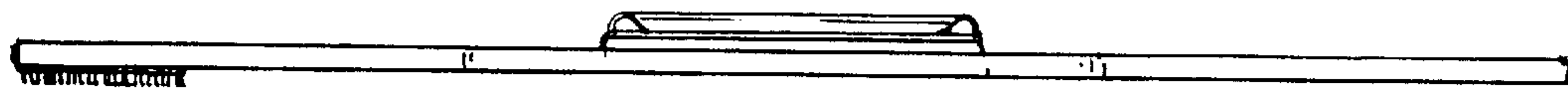


FIG. 5

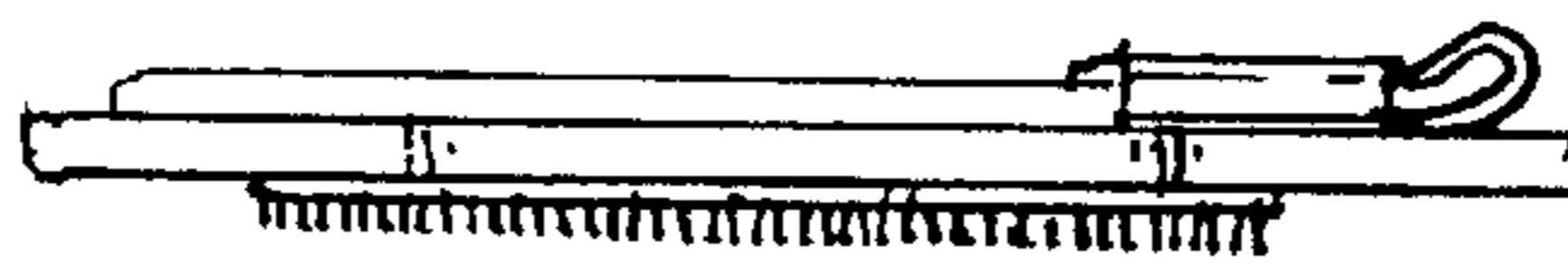


FIG. 6