



US00D491354S

(12) **United States Design Patent**
Chapelier

(10) **Patent No.:** **US D491,354 S**

(45) **Date of Patent:** **** Jun. 15, 2004**

(54) **BAG**

D467,281 S 12/2002 Chapelier

(75) Inventor: **Herve Chapelier**, Billancourt (FR)

OTHER PUBLICATIONS

(73) Assignee: **Bush Holding Sarl**, Boulogne
Billancourt (FR)

C. Allen, *The handbag, to have and to hold*, Carlton Books Limited, 1999, pp. 34, 41, 54, 56, 58, 69, 78, 80, 81, 83, 100–101, 108, 117, 129, 133, 137.

(**) Term: **14 Years**

* cited by examiner

(21) Appl. No.: **29/185,519**

Primary Examiner—Ian Simmons

(22) Filed: **Jun. 27, 2003**

Assistant Examiner—Monica A. Weingart

(51) **LOC (7) Cl.** **03-01**

(74) *Attorney, Agent, or Firm*—Gottlieb, Rackman & Reisman, P.C.

(52) **U.S. Cl.** **D3/246**

(57) **CLAIM**

(58) **Field of Search** D3/232, 233, 234,
D3/235, 236, 237, 238, 240, 241, 245,
246, 303; D9/305; 150/106, 107, 111, 112,
127, 129; 190/110, 115, 119; 383/6, 11,
12, 37, 38, 40, 87, 104, 121, 121.1, 127,
907

The design for a bag, as shown and described.

DESCRIPTION

(56) **References Cited**

U.S. PATENT DOCUMENTS

526,566 A	*	9/1894	Field	383/121
2,164,641 A	*	7/1939	Davenport	383/127
2,495,391 A	*	1/1950	Morrison	383/6
2,631,632 A	*	3/1953	Leachman	383/38
D280,043 S	*	8/1985	Allen	D3/303
D331,532 S	*	12/1992	Cohen et al.	383/6
D426,060 S		7/2000	Chapelier		
D459,076 S		7/2002	Chapelier		
D465,925 S		11/2002	Chapelier		

FIG. 1 is a top, side and end perspective view of the bag of the present invention;
FIG. 2 is top plan view thereof;
FIG. 3 is a side view, the opposite side view being a mirror image, thereof;
FIG. 4 is an end view, the opposite end view being a mirror image thereof;
FIG. 5 is a bottom view thereof;
FIG. 6 is a top, side and end perspective view of an alternative embodiment; and,
FIG. 7 is a cross sectional view taken along lines 7—7 of FIG. 6; all elevational view of the alternative embodiment being the same as the preferred embodiment.

1 Claim, 5 Drawing Sheets

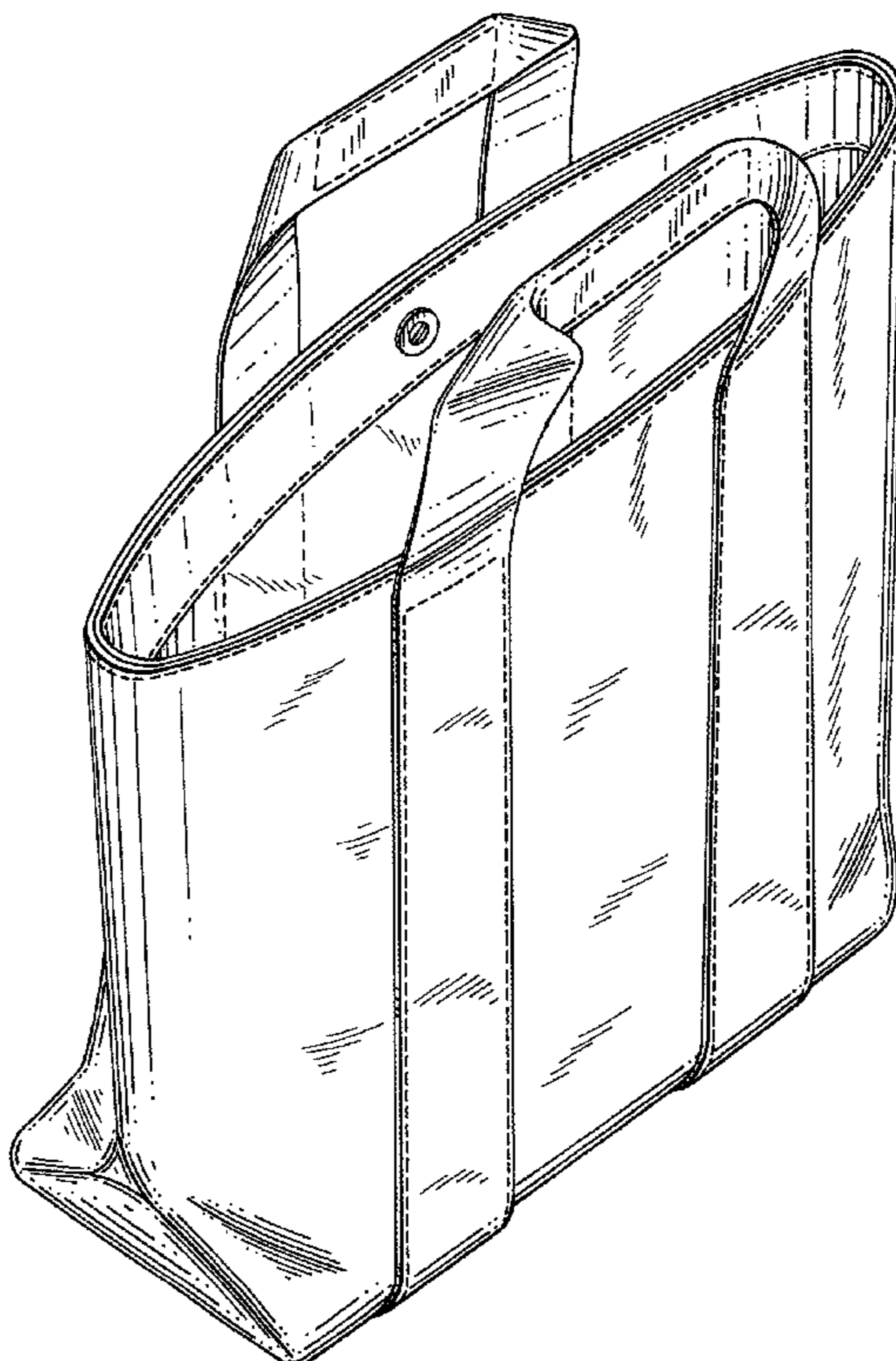


FIG. 1

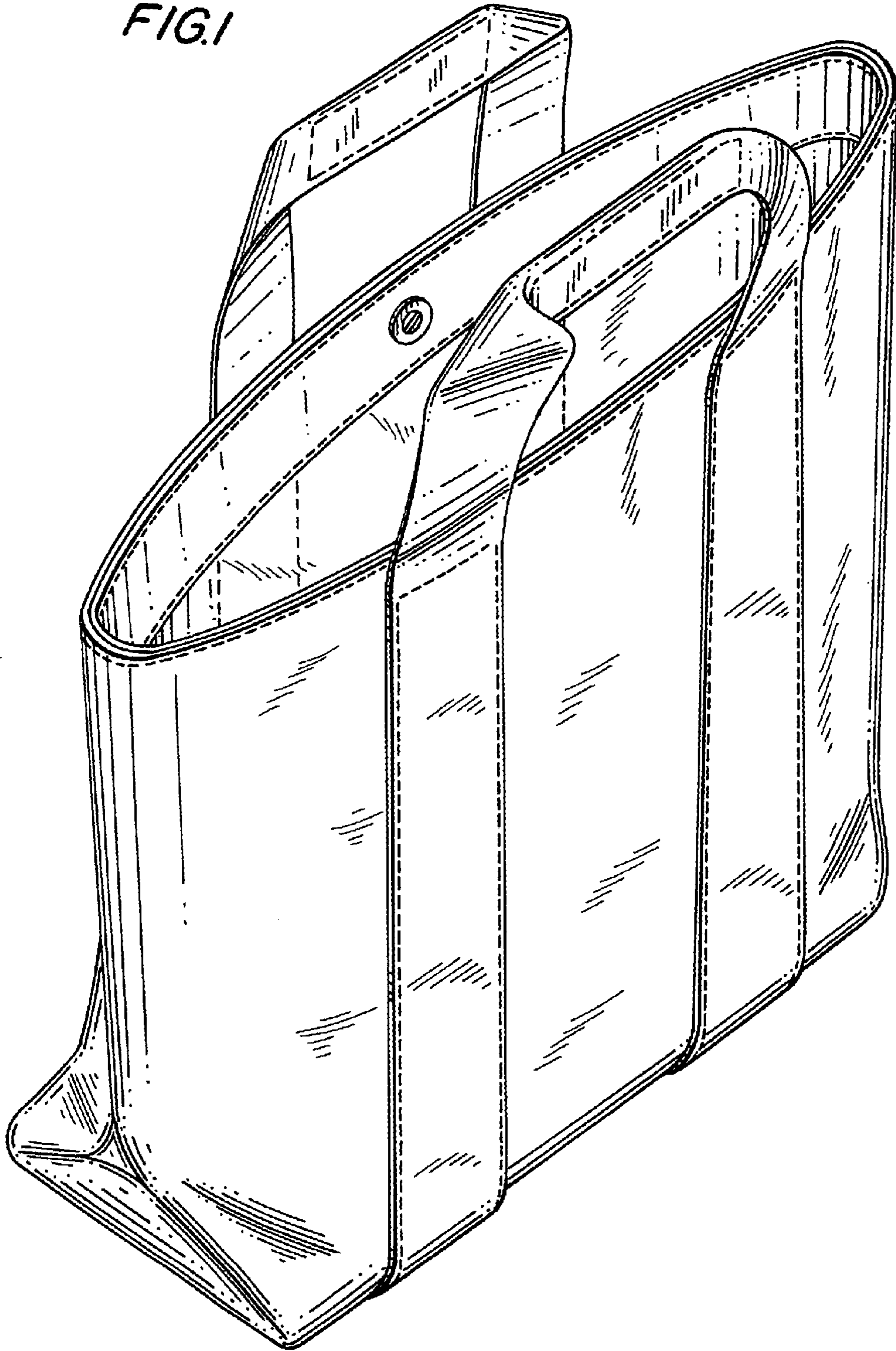


FIG. 2

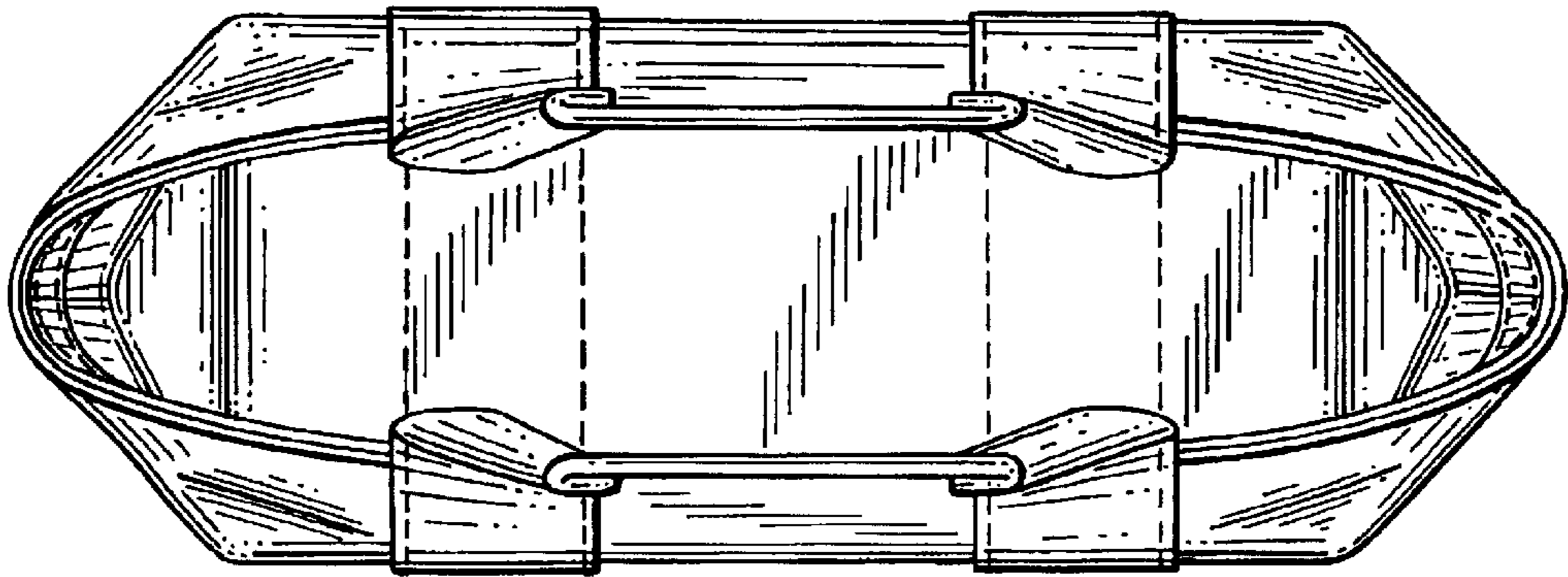


FIG. 3

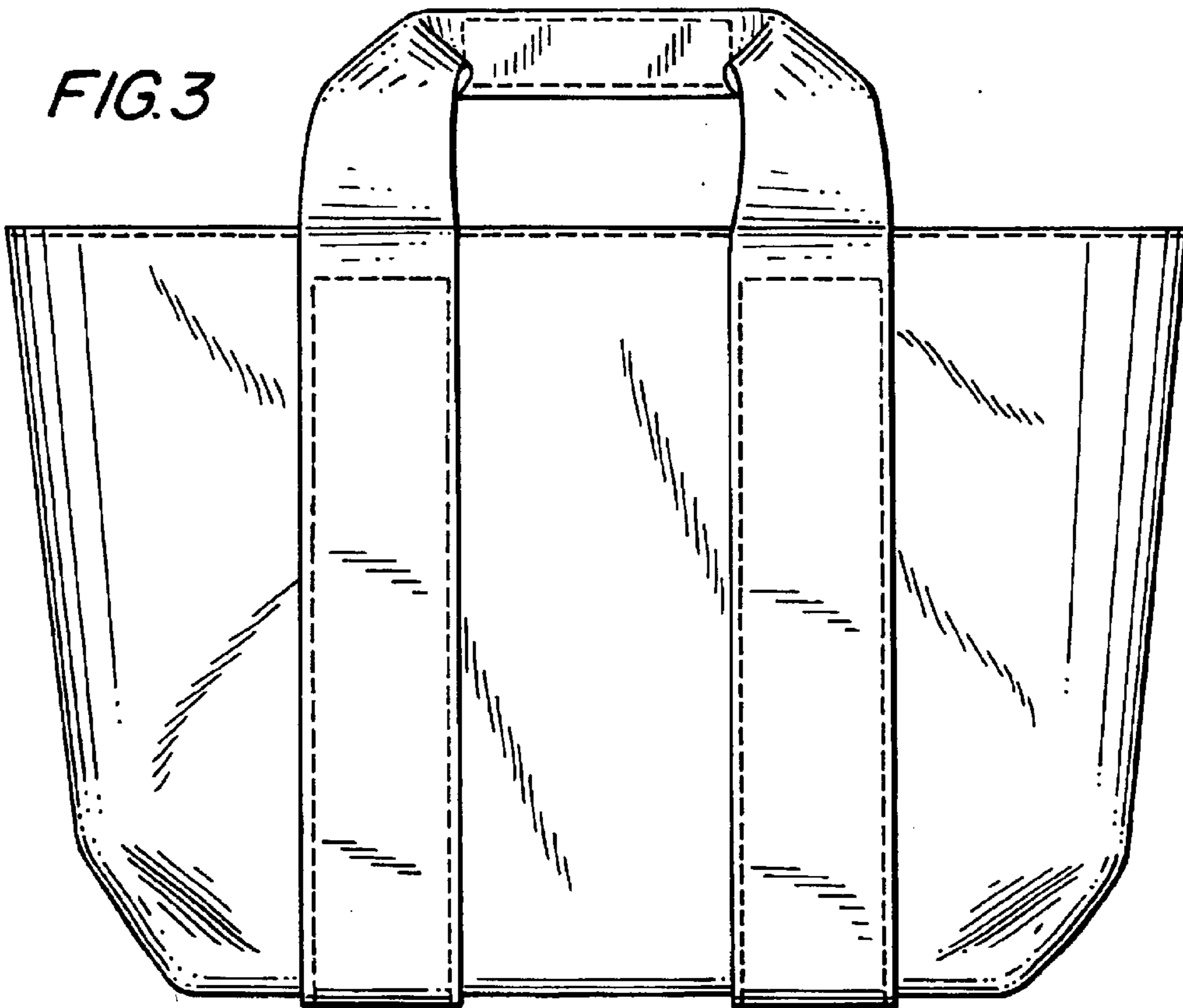


FIG. 4

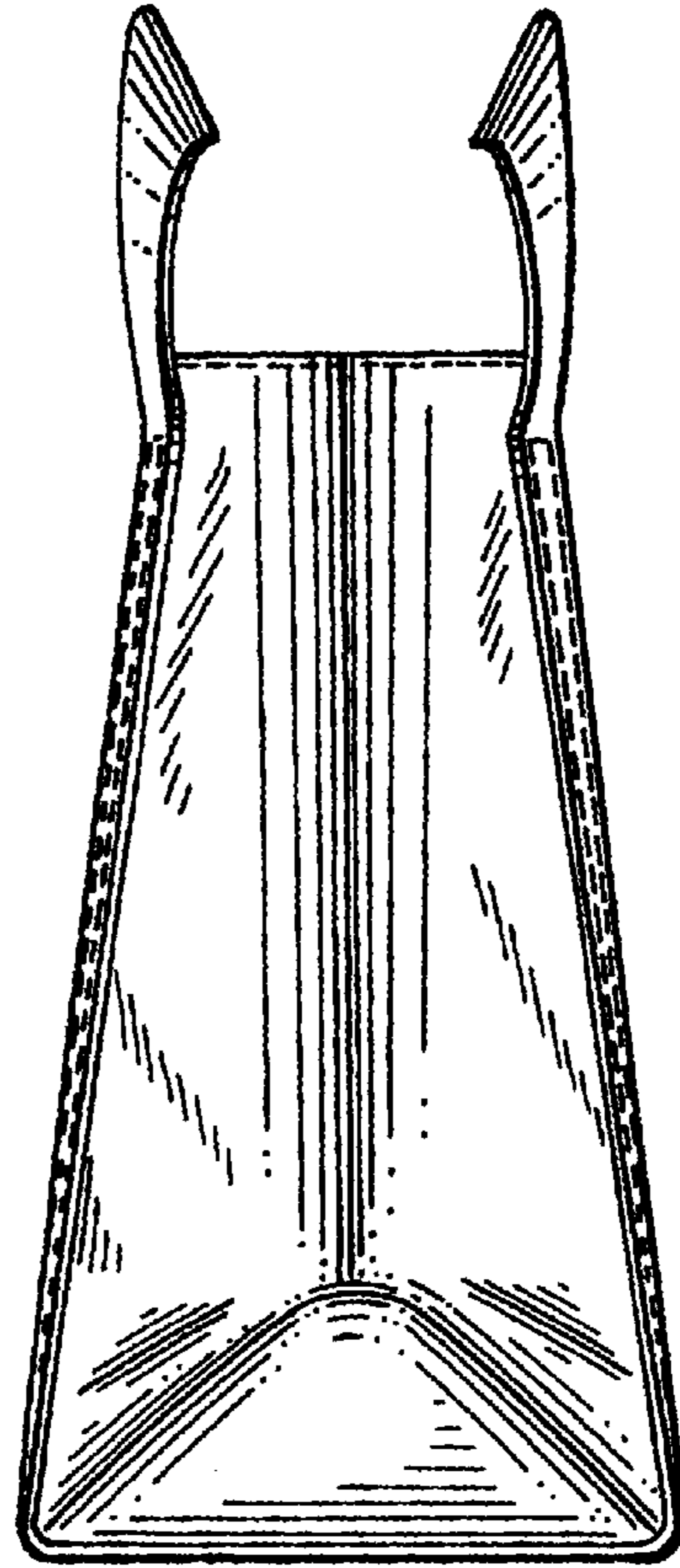
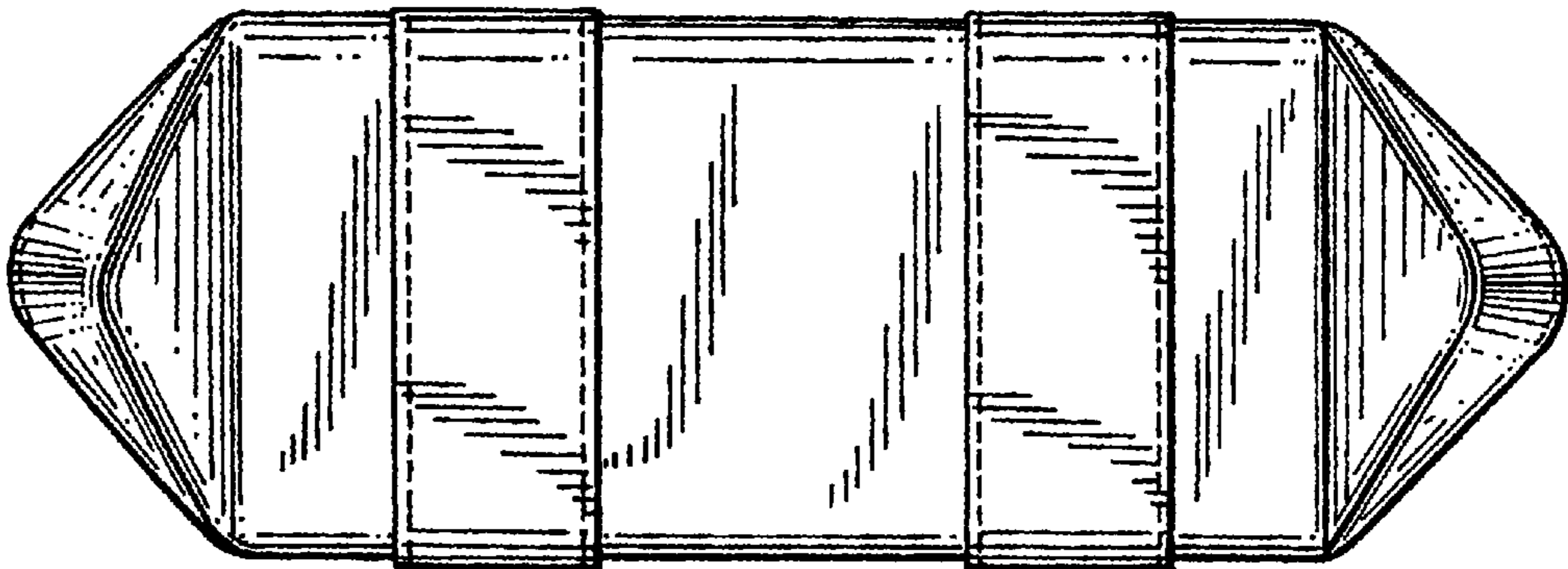


FIG. 5



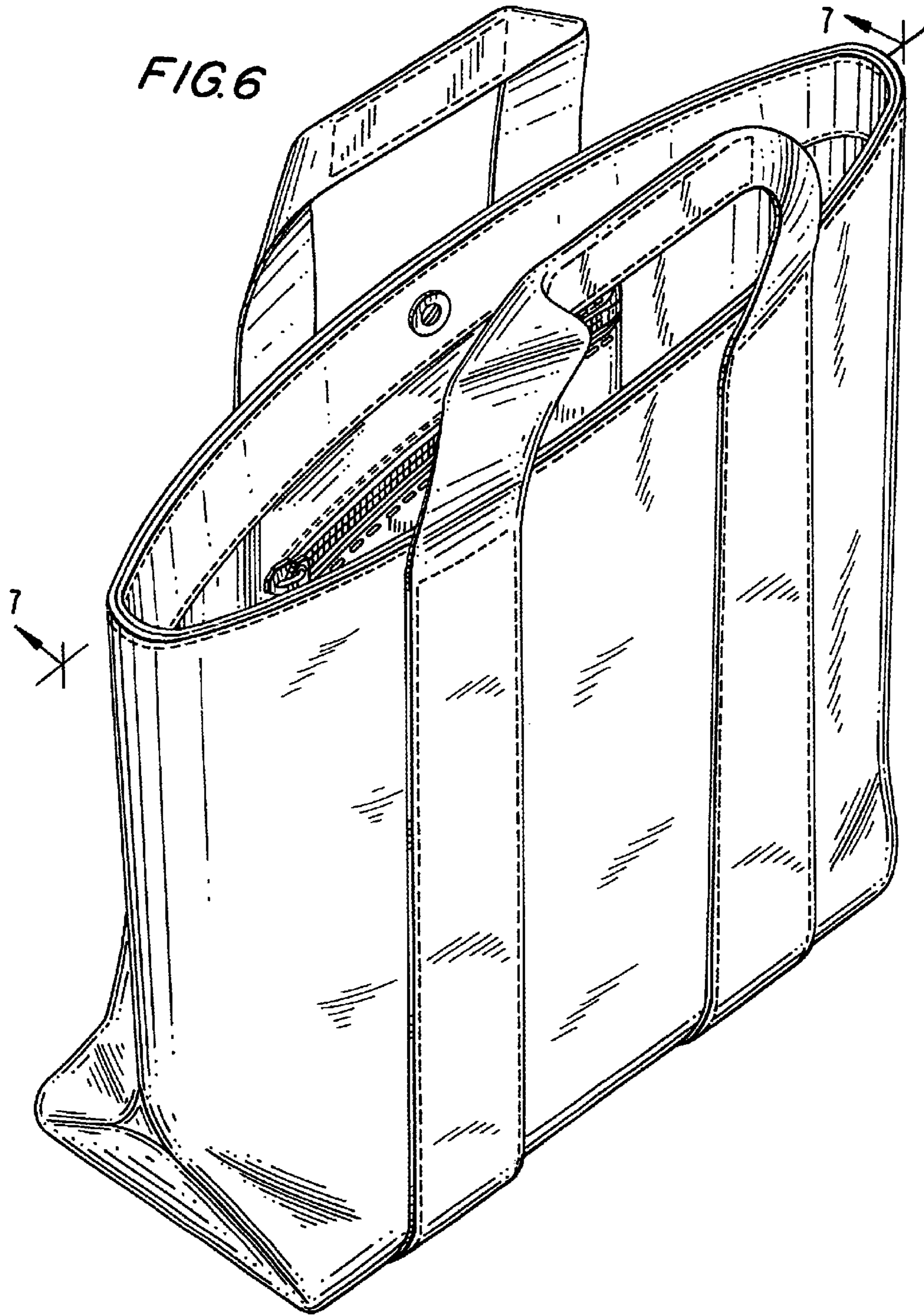


FIG. 7

