



US00D491332S

(12) **United States Design Patent**
Weber

(10) **Patent No.:** **US D491,332 S**

(45) **Date of Patent:** **** Jun. 8, 2004**

(54) **BUMPER FOR AN ELECTRIC VEHICLE LIFT**

(76) **Inventor:** **John B. Weber**, 6709 Rolling Meadow Dr., Davisburg, MI (US) 48350

(**) **Term:** **14 Years**

(21) **Appl. No.:** **29/158,243**

(22) **Filed:** **Apr. 1, 2002**

(51) **LOC (7) Cl.** **12-05**

(52) **U.S. Cl.** **D34/31**

(58) **Field of Search** D34/28, 31, 33, D34/35; D25/119, 122, 126, 136, 164; 52/224.1, 224.5; 49/505, 501, DIG. 2; 254/1, 6 R, 12, 98, 11, 100, DIG. 1, 93 R, 89 R, 84; D8/354, 366, 402, 403, 499

(56) **References Cited**

U.S. PATENT DOCUMENTS

- 1,298,970 A * 4/1919 Lampert 254/100
- 2,236,801 A * 4/1941 McDonald 285/61
- D128,108 S * 7/1941 Dalton D34/31
- 2,493,978 A * 1/1950 Kromer 248/171
- 2,541,793 A * 2/1951 Thompson 248/354.3
- D173,695 S * 12/1954 Fredholm D34/31
- 2,827,262 A * 3/1958 Fantaci 254/93 H
- 2,871,285 A * 1/1959 Fouse et al. 174/72 B
- 2,927,769 A * 3/1960 Fantaci 254/1
- 3,580,543 A * 5/1971 Hafeli 254/100
- D252,324 S * 7/1979 John D34/31
- D252,861 S * 9/1979 Potts D10/94
- D301,304 S * 5/1989 Will D8/373
- 4,856,747 A * 8/1989 Gano 248/354.7
- D306,089 S * 2/1990 Caico et al. D34/31
- D308,358 S * 6/1990 Moore D12/317
- 5,156,375 A * 10/1992 Liegel et al. 254/134

- 5,180,131 A * 1/1993 Few 248/352
- D360,728 S * 7/1995 Nozaki D34/29
- D379,524 S * 5/1997 Leonelli D25/119
- D396,926 S * 8/1998 Underhill et al. D34/31
- D419,693 S * 1/2000 Hersh et al. D25/119
- D420,149 S * 2/2000 Hersh et al. D25/119
- D448,494 S * 9/2001 Williams D25/119
- D461,615 S * 8/2002 Bainter D34/31

OTHER PUBLICATIONS

Dahlstrom Mouldings and Shapes Catalog No. 12, p. 15 Item No. 2794. Published 1969.*

Dahlstrom Mouldings and Shapes Catalog No. 12, p. 17 Item No. 2139. Published 1969.*

* cited by examiner

Primary Examiner—Cynthia E. Ramirez
(74) *Attorney, Agent, or Firm*—Gifford, Krass, Groh, Sprinkle, Anderson & Citkowski, P.C.

(57) **CLAIM**

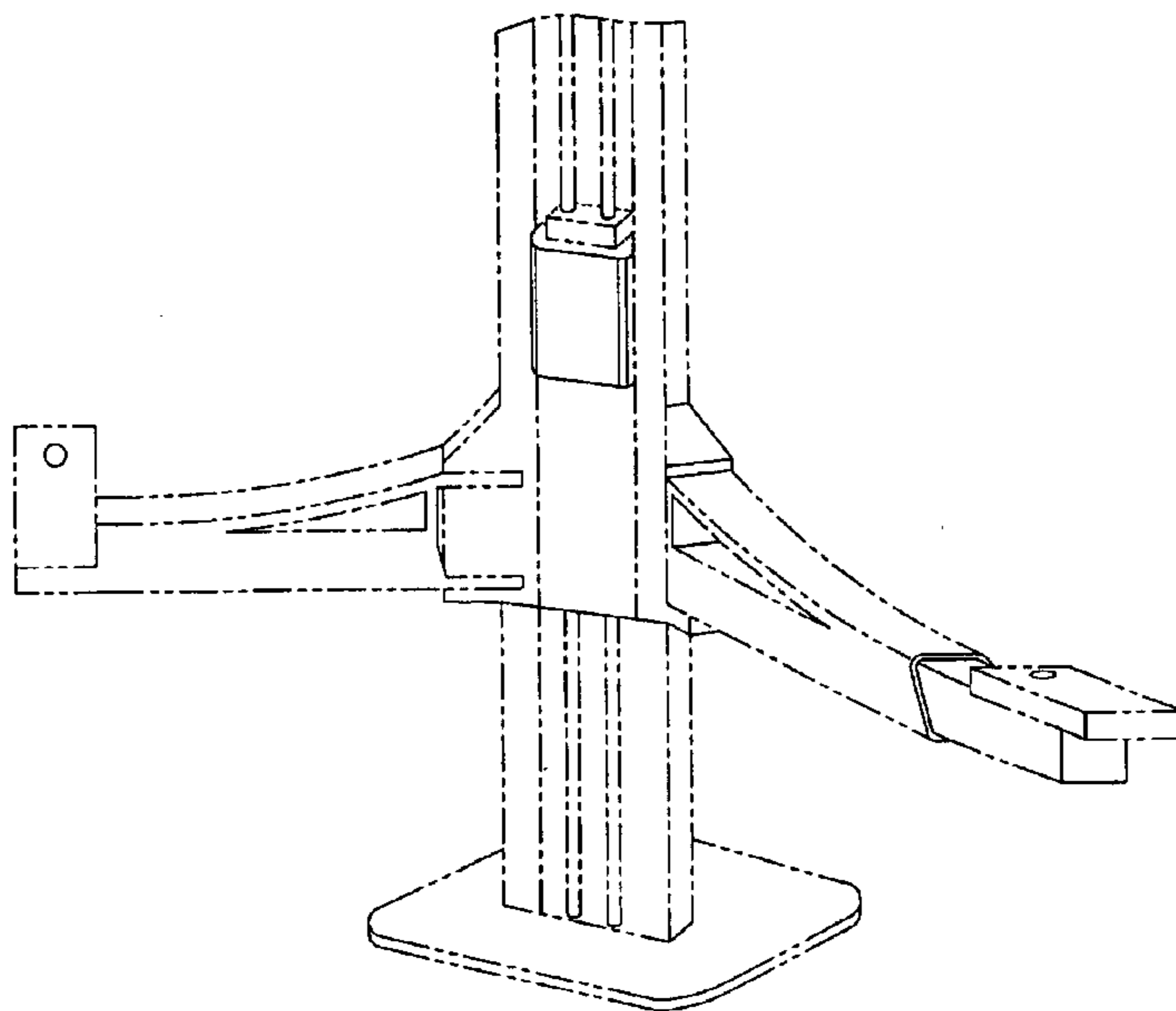
I claim the ornamental design for a bumper for an electric vehicle lift, as shown.

DESCRIPTION

FIG. 1 is an elevational view of a preferred embodiment of a bumper for an electric vehicle lift;
FIG. 2 is an elevational rear view thereof;
FIG. 3 is a rear view thereof;
FIG. 4 is a right side view thereof;
FIG. 5 is a left side view thereof;
FIG. 6 is a top view thereof;
FIG. 7 is a bottom view thereof; and,
FIG. 8 is a front view thereof.

The broken line showing of a jack in FIG. 1 is for illustrative purposes only and forms no part of the claimed design.

1 Claim, 2 Drawing Sheets



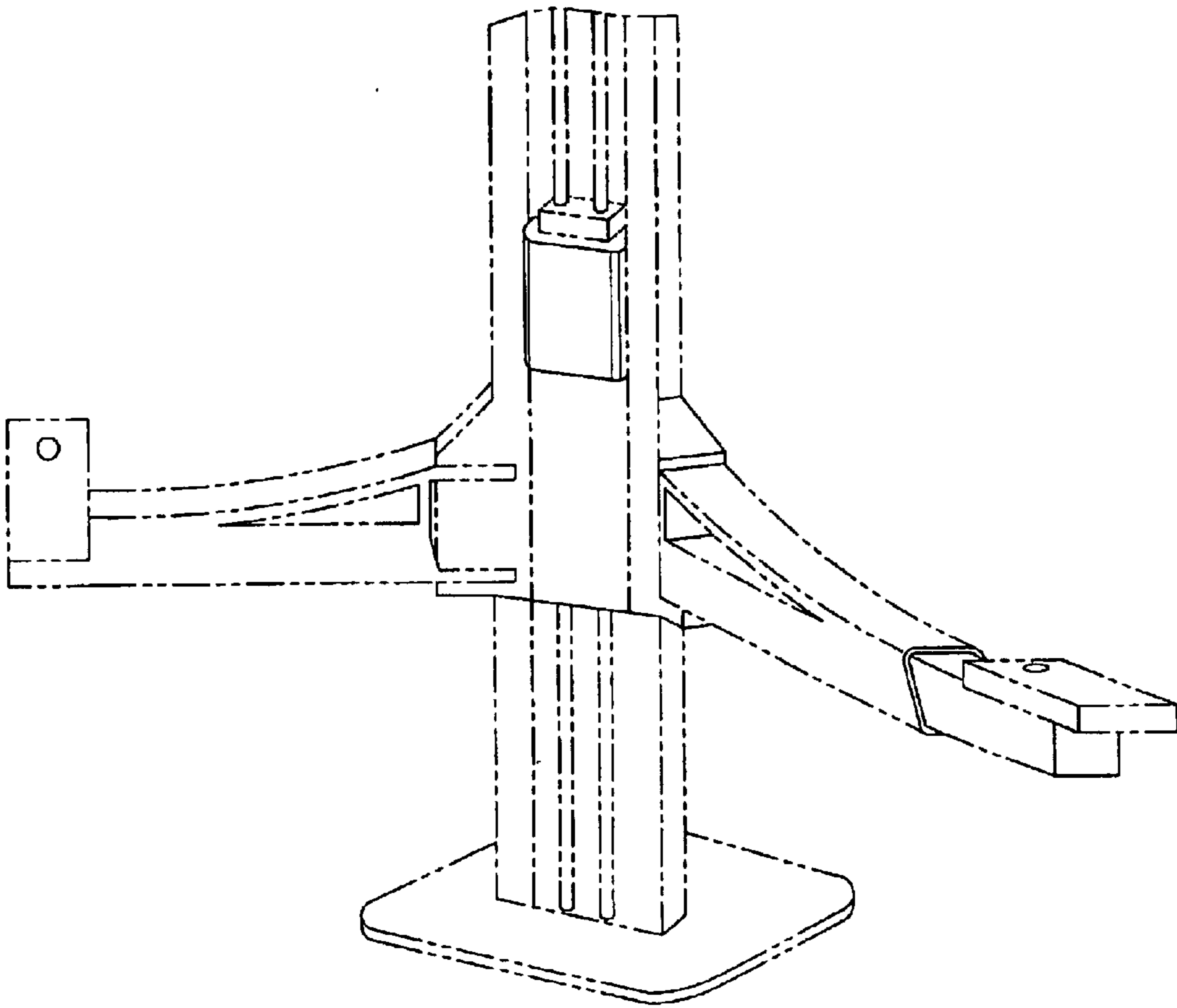


Fig-1

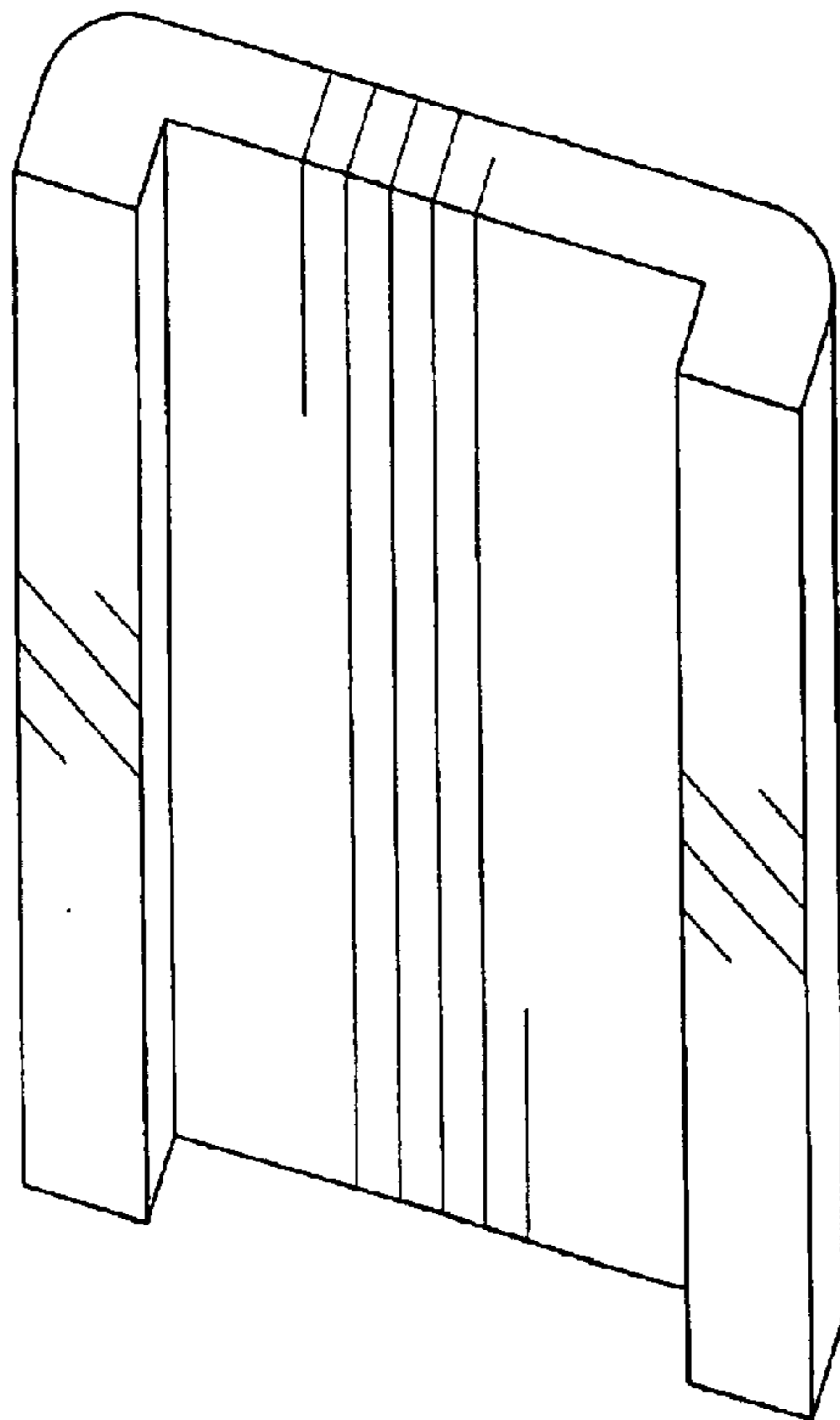


Fig-2

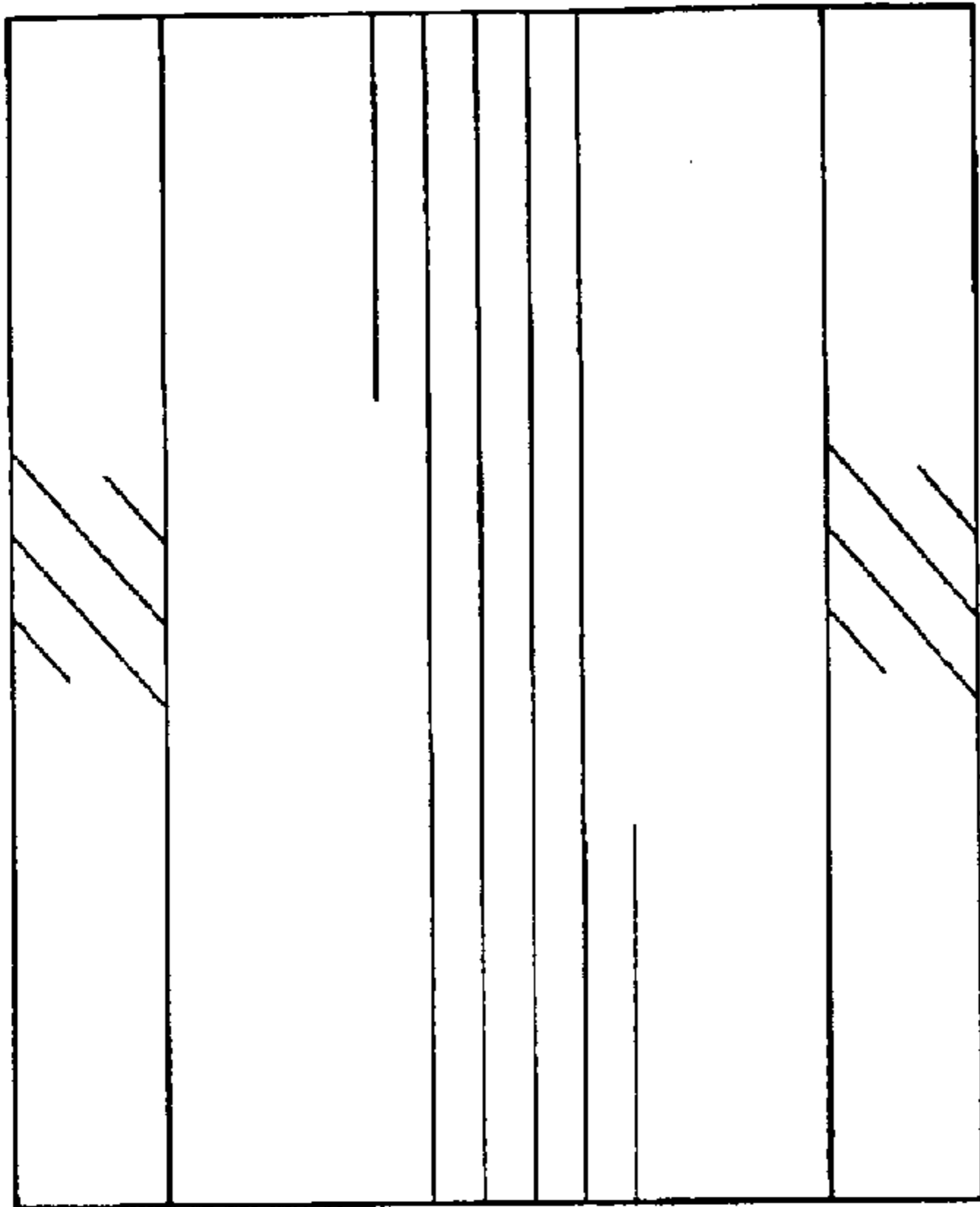


Fig-3

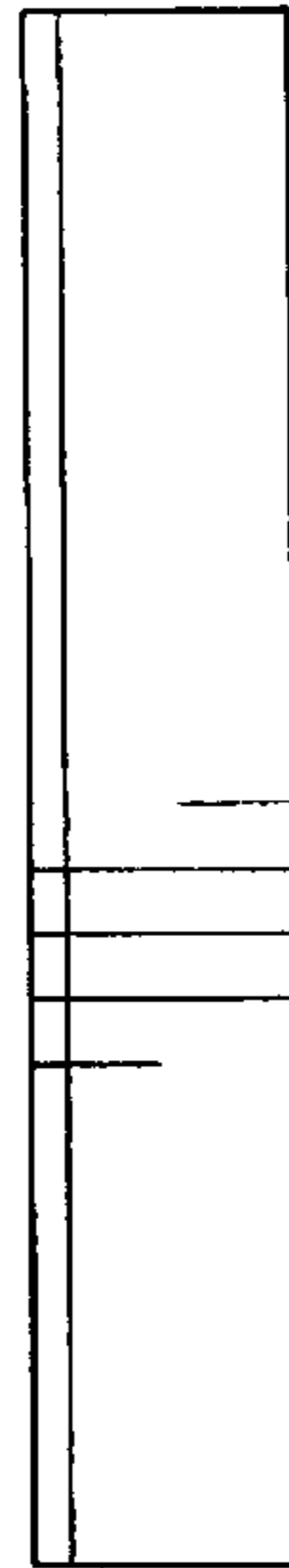


Fig-4

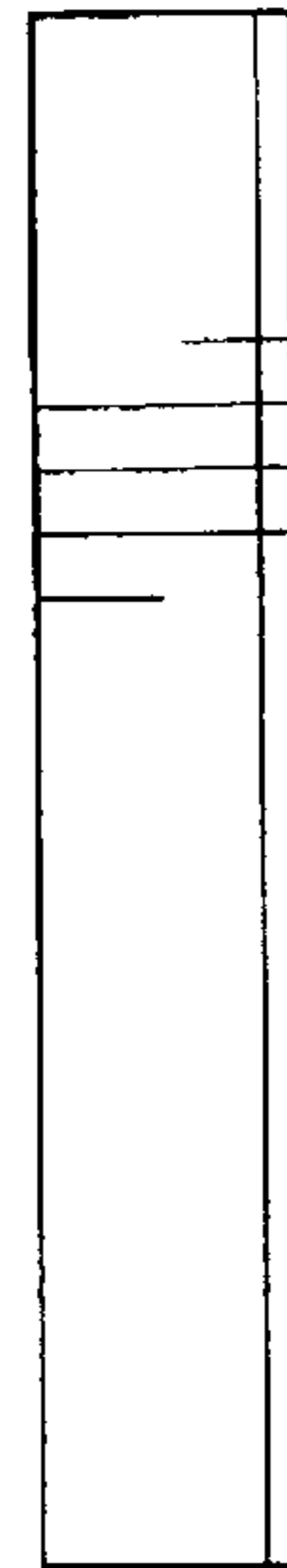


Fig-5

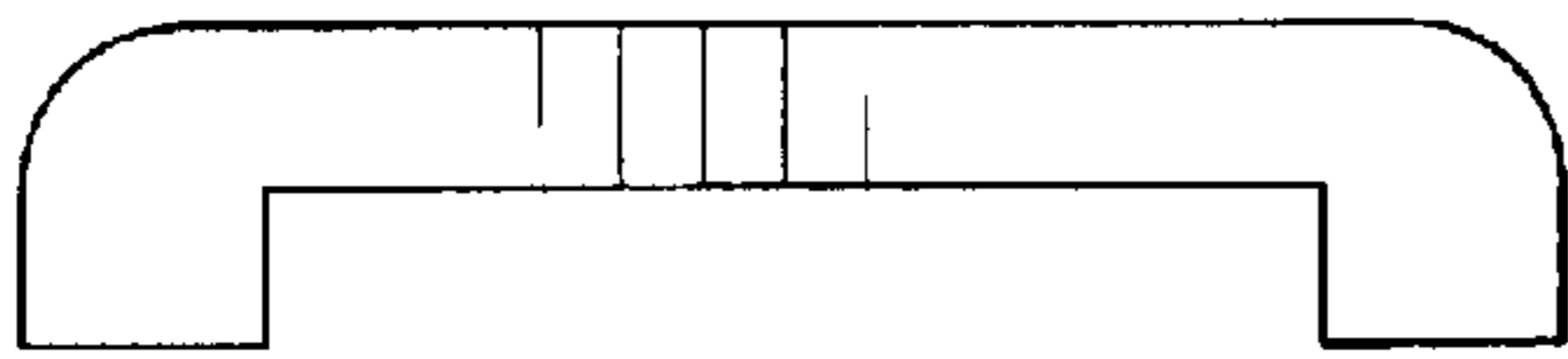


Fig-6



Fig-7

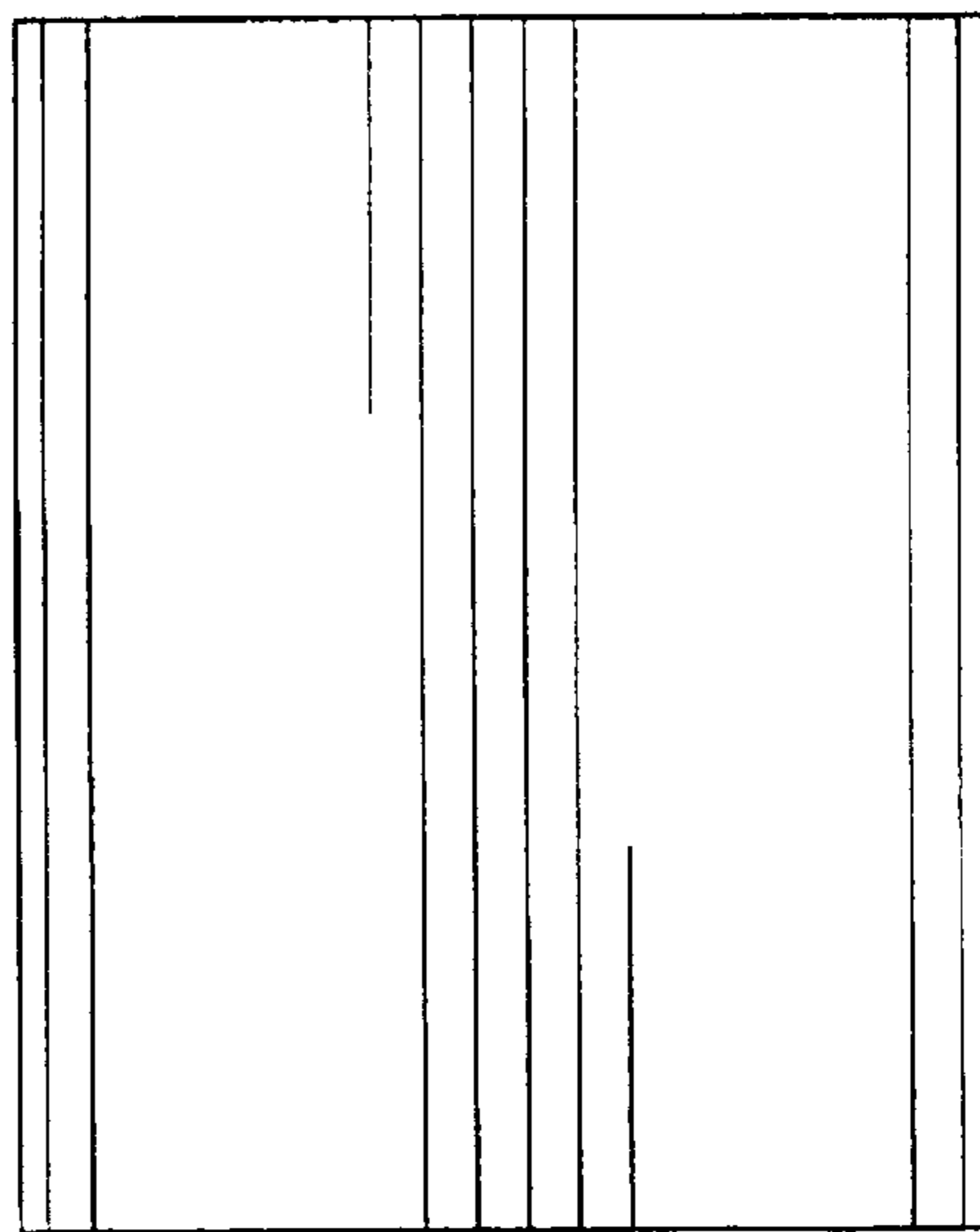


Fig-8