



US00D491331S

(12) **United States Design Patent**
Strong

(10) **Patent No.:** **US D491,331 S**

(45) **Date of Patent:** **** Jun. 8, 2004**

(54) **DOLLY WHEEL FENDER**

(75) Inventor: **Russell W. Strong**, Craftsbury
Common, VT (US)

(73) Assignee: **Integrated Vision, Inc.**, Craftsbury
Common, VT (US)

(**) Term: **14 Years**

(21) Appl. No.: **29/163,218**

(22) Filed: **Jun. 28, 2002**

(51) **LOC (7) Cl.** **12-02**

(52) **U.S. Cl.** **D34/27; D8/375**

(58) **Field of Search** **D34/12-27; D8/375;**
16/18 R, 18 CG, 45; D12/186, 133

(56) **References Cited**

U.S. PATENT DOCUMENTS

- 4,822,067 A * 4/1989 Matsuo et al. 280/152.1
- D349,043 S * 7/1994 Carlson et al. D8/375
- D380,373 S * 7/1997 Screen D8/375

- D382,465 S * 8/1997 Dhanapal et al. D8/375
- D448,278 S * 9/2001 Chi D8/375
- 2002/0190492 A1 * 12/2002 Strong 280/124.128

* cited by examiner

Primary Examiner—Kay H. Chin
(74) *Attorney, Agent, or Firm*—Artz & Artz, PC

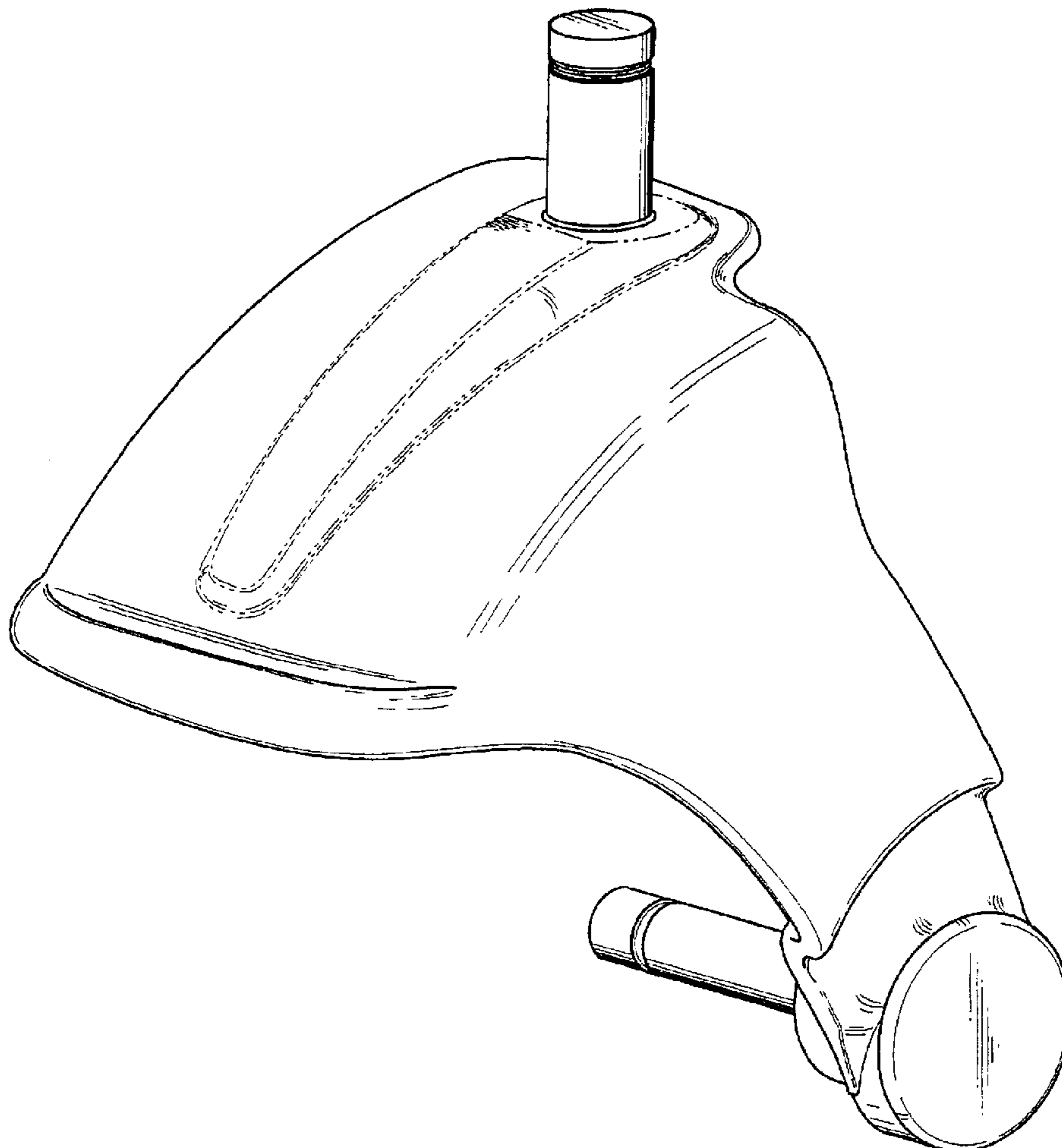
(57) **CLAIM**

The ornamental design for a dolly wheel fender, as shown and described.

DESCRIPTION

The dolly wheel fender is characterized by a single side support with a cantilevered axle shaft.
FIG. 1 is a side elevation view of a dolly wheel fender showing my new design; the broken lines are for illustrative purposes only and form no part of the claimed design;
FIG. 2 is a front elevation view thereof;
FIG. 3 is a top view thereof; and,
FIG. 4 is a perspective view thereof.

1 Claim, 4 Drawing Sheets



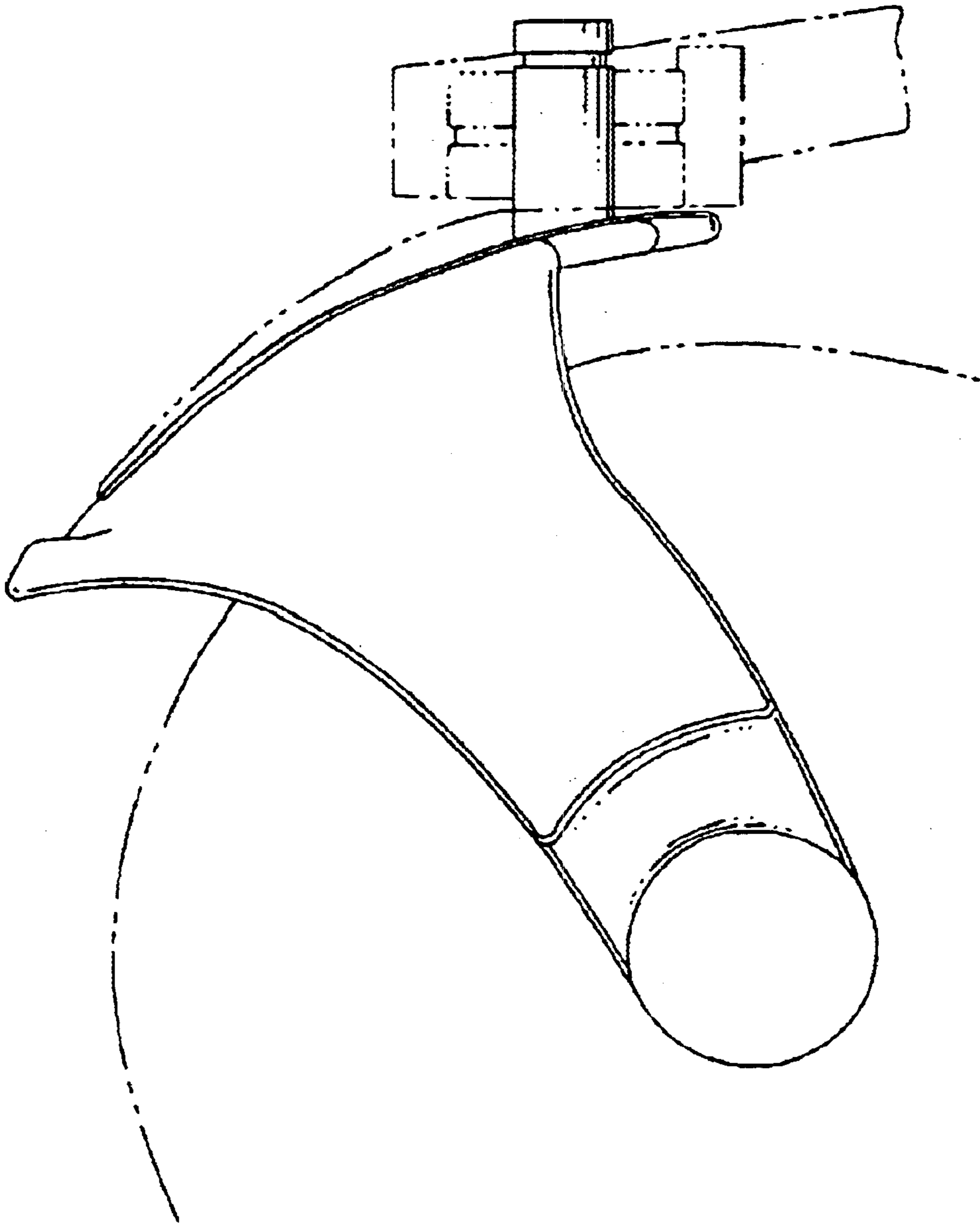


FIG. 1

FIG - 2

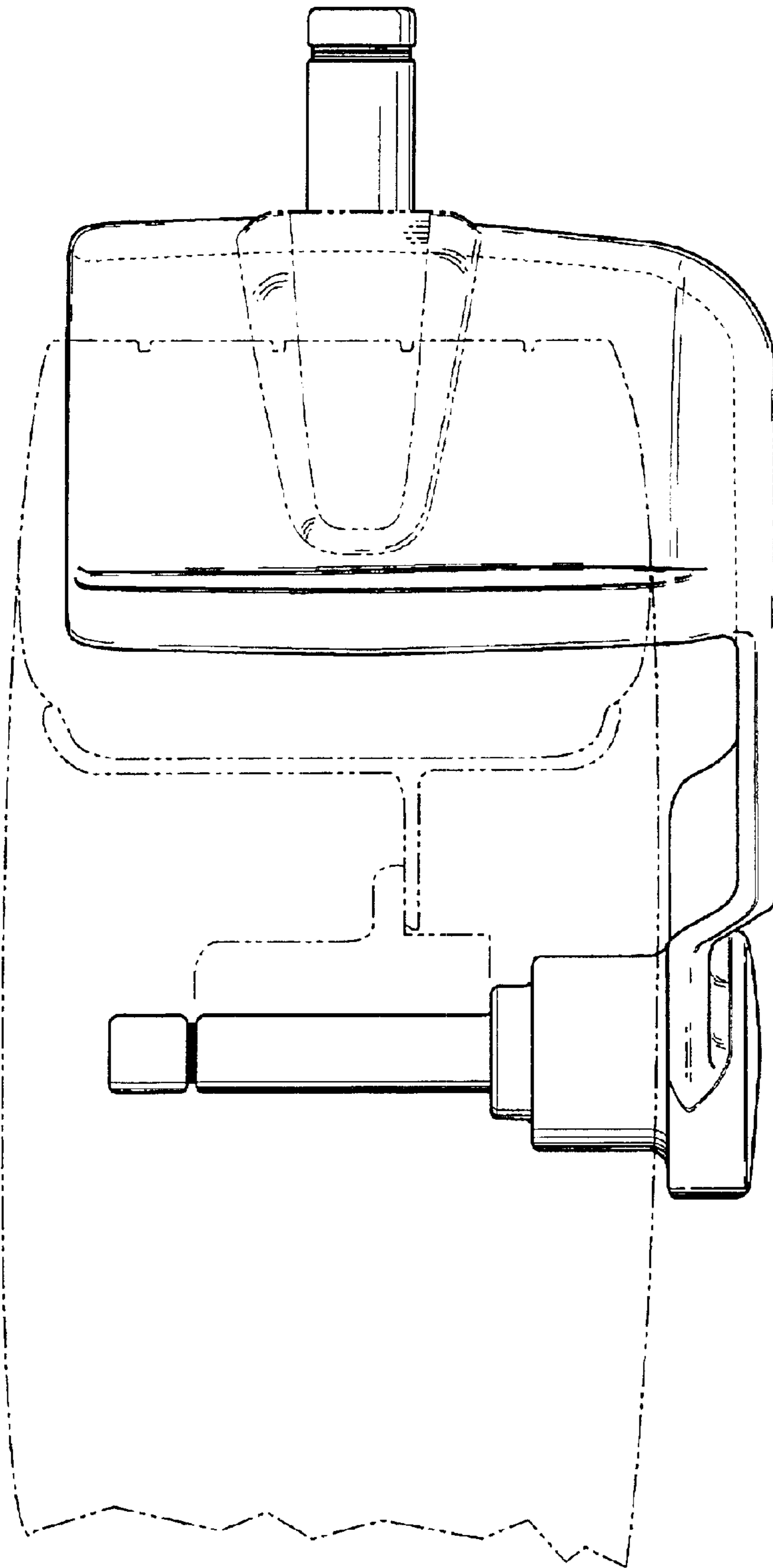
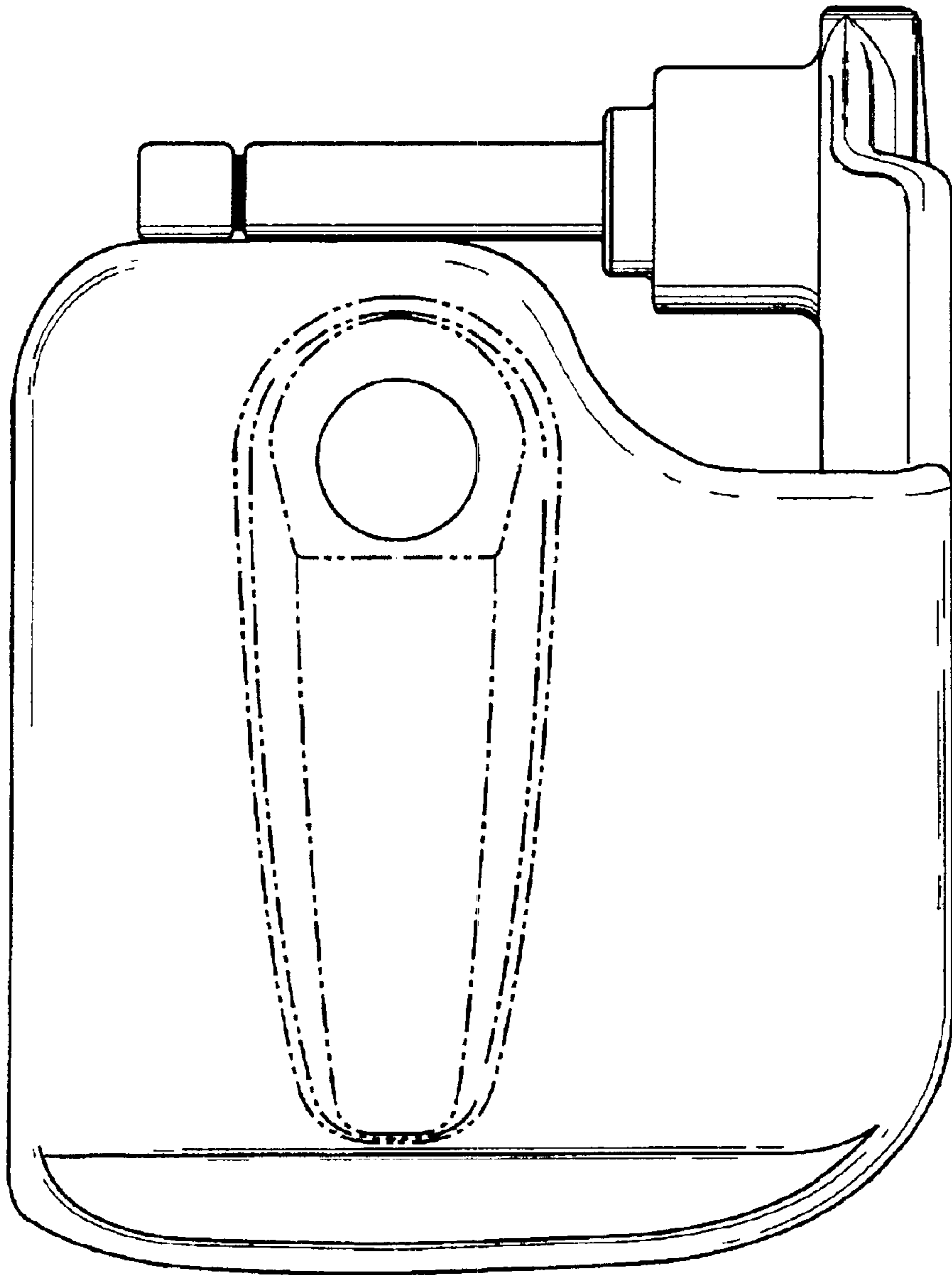


FIG - 3



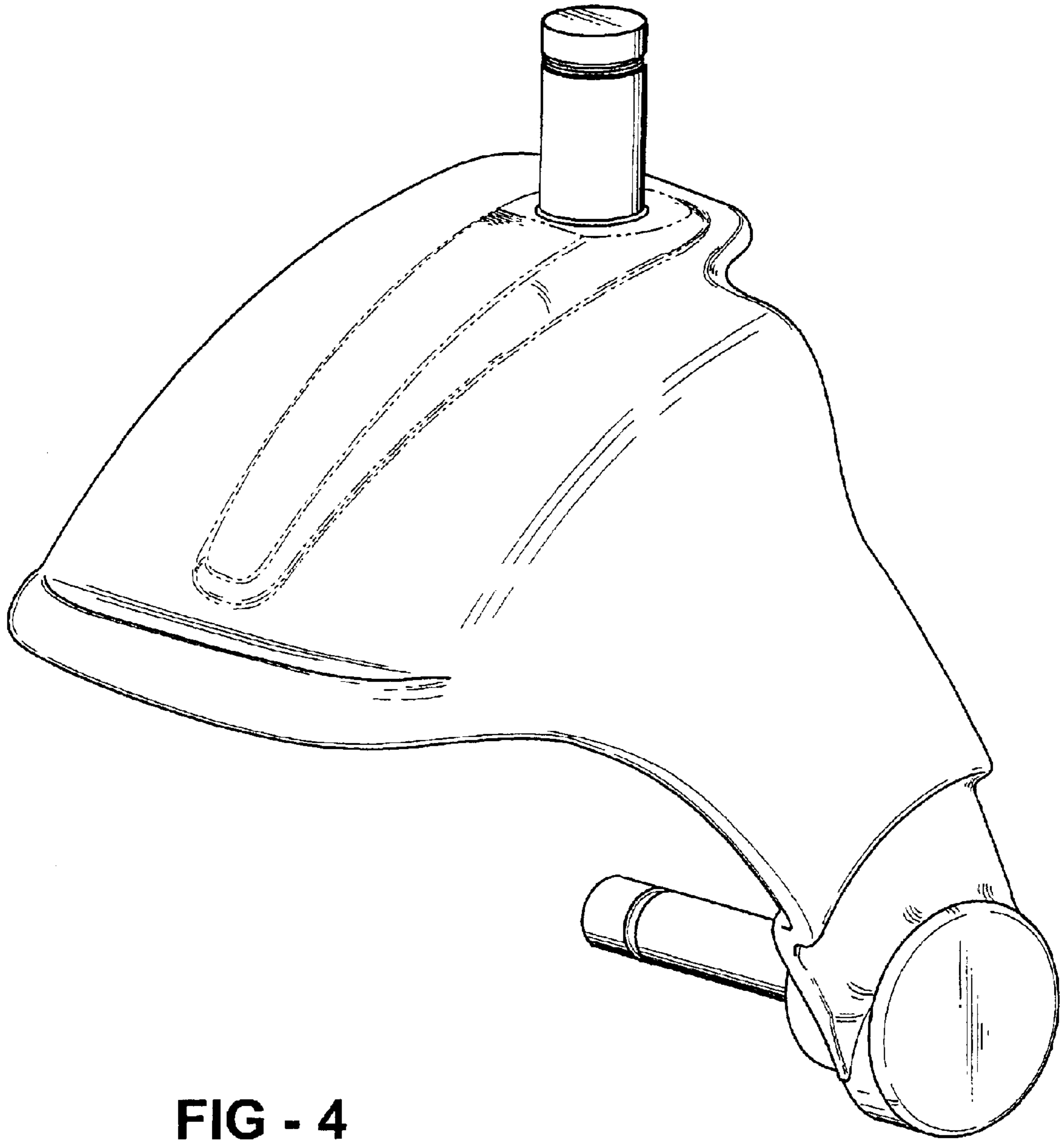


FIG - 4