



US00D491330S

(12) **United States Design Patent**  
**Violo**

(10) **Patent No.:** **US D491,330 S**

(45) **Date of Patent:** **\*\* Jun. 8, 2004**

(54) **CART**

(76) **Inventor:** **Paul John Violo**, RR#2, Hillsburgh (CA), N0B 1Z0

(\*\*) **Term:** **14 Years**

(21) **Appl. No.:** **29/176,645**

(22) **Filed:** **Feb. 27, 2003**

(30) **Foreign Application Priority Data**

Oct. 10, 2002 (CA) ..... 100937

(51) **LOC (7) Cl.** ..... **12-02**

(52) **U.S. Cl.** ..... **D34/21; D34/17**

(58) **Field of Search** ..... D34/12-27; 280/47.19, 280/47.24, 47.27, 47.29, 79.11, 79.3; 242/594.6

(56) **References Cited**

**U.S. PATENT DOCUMENTS**

- D208,769 S \* 10/1967 Cunningham et al. .... D34/22
- 6,270,094 B1 \* 8/2001 Campbell ..... 280/47.19
- 6,422,504 B1 \* 7/2002 Elder ..... 242/594.6
- 6,523,776 B1 \* 2/2003 Elder ..... 242/594.4

6,598,890 B2 \* 7/2003 Mears et al. .... 280/79.3

\* cited by examiner

*Primary Examiner*—Kay H. Chin

(74) *Attorney, Agent, or Firm*—M. Lianne Gorelle; Robert Church & Associates

(57) **CLAIM**

The ornamental design for a cart, as shown.

**DESCRIPTION**

FIG. 1 is a perspective view of a cart showing my new design;

FIG. 2 is a left or right side view thereof;

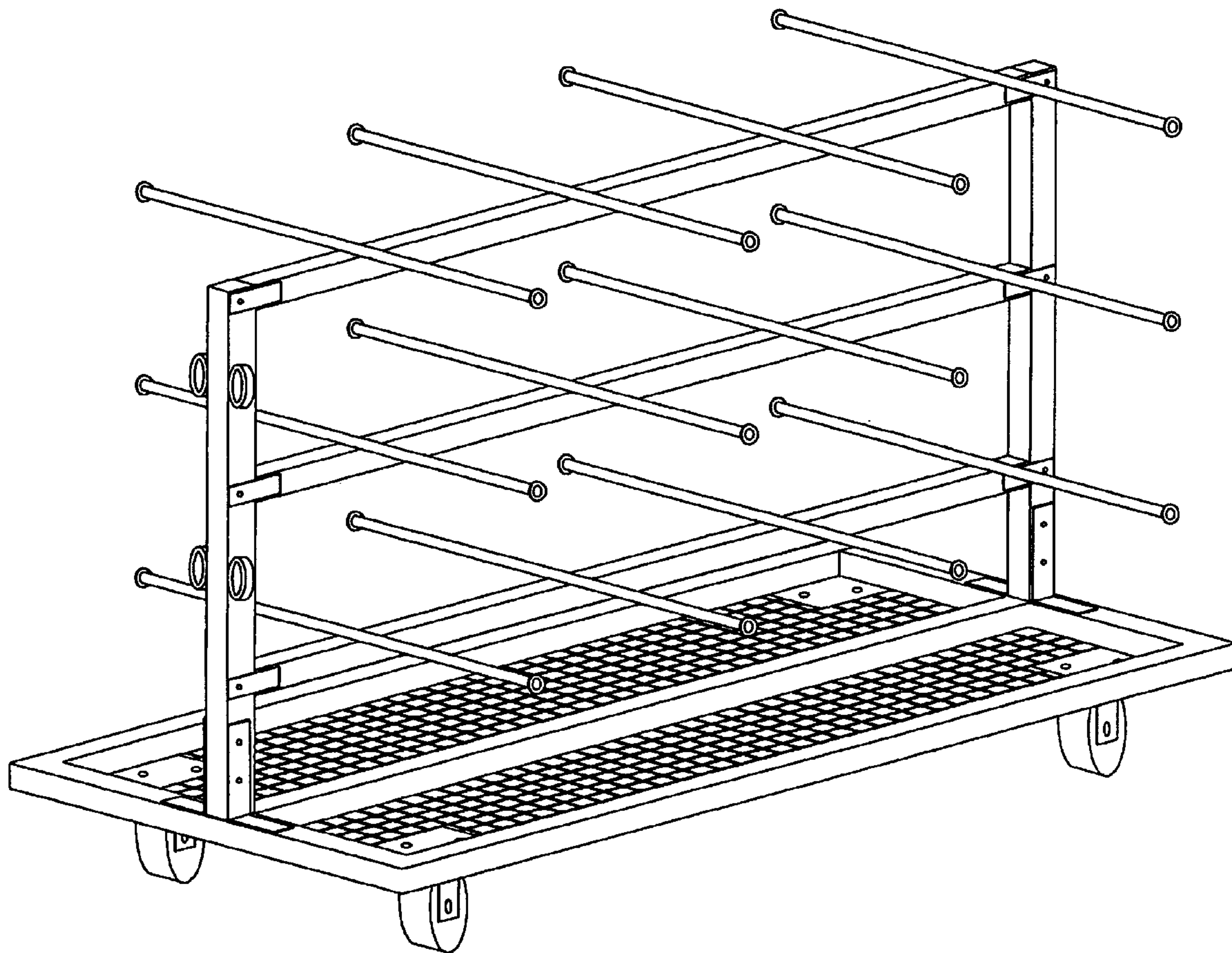
FIG. 3 is a front or rear end view thereof;

FIG. 4 is a top plan view thereof; and,

FIG. 5 is a bottom plan view thereof.

The cart features a plurality of larger horizontal members arranged between vertical support members attached to a base member. Each of said larger horizontal members supports a plurality of smaller horizontal members oriented substantially perpendicular to said larger horizontal members and said vertical support members.

**1 Claim, 5 Drawing Sheets**



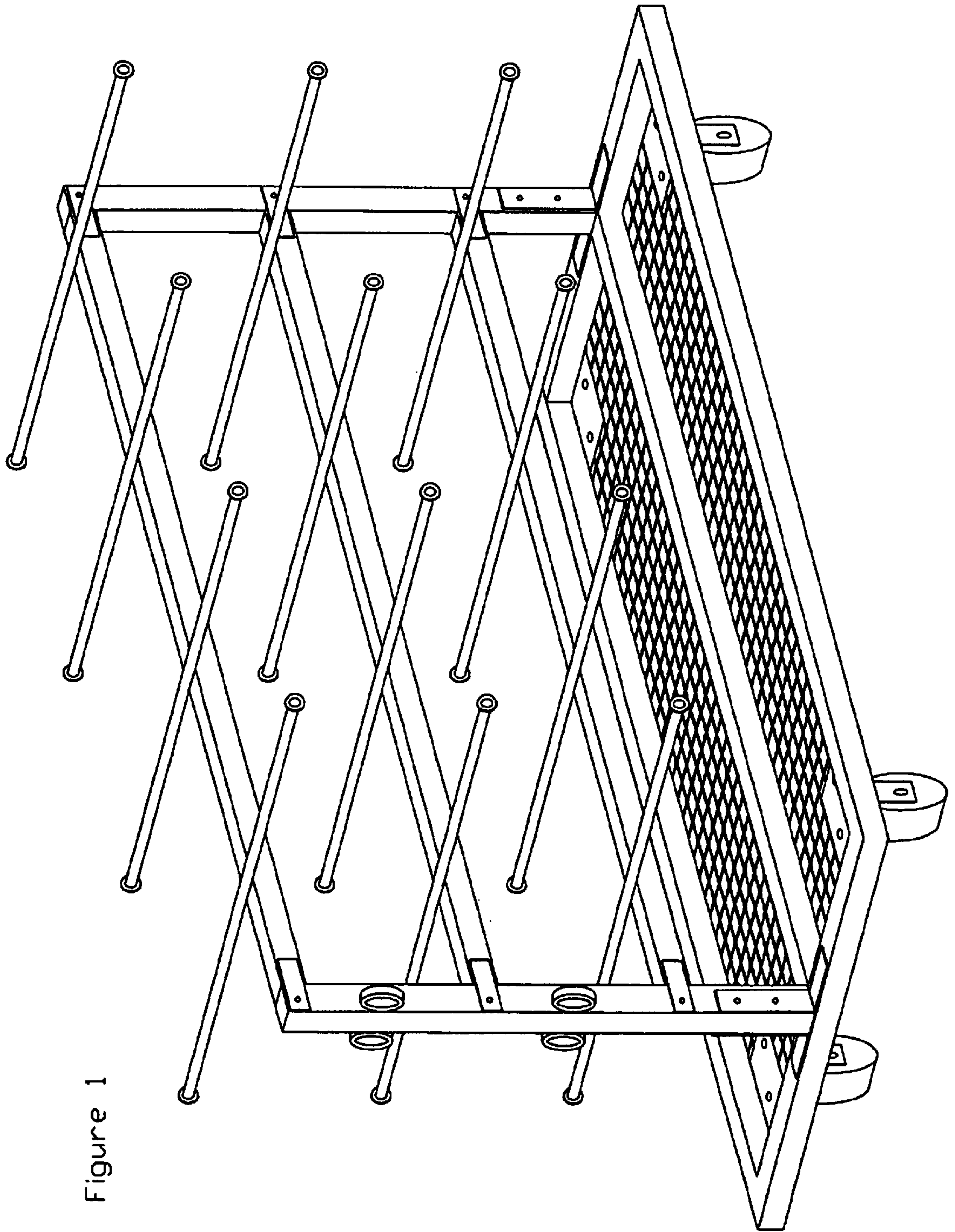


Figure 1

Figure 2

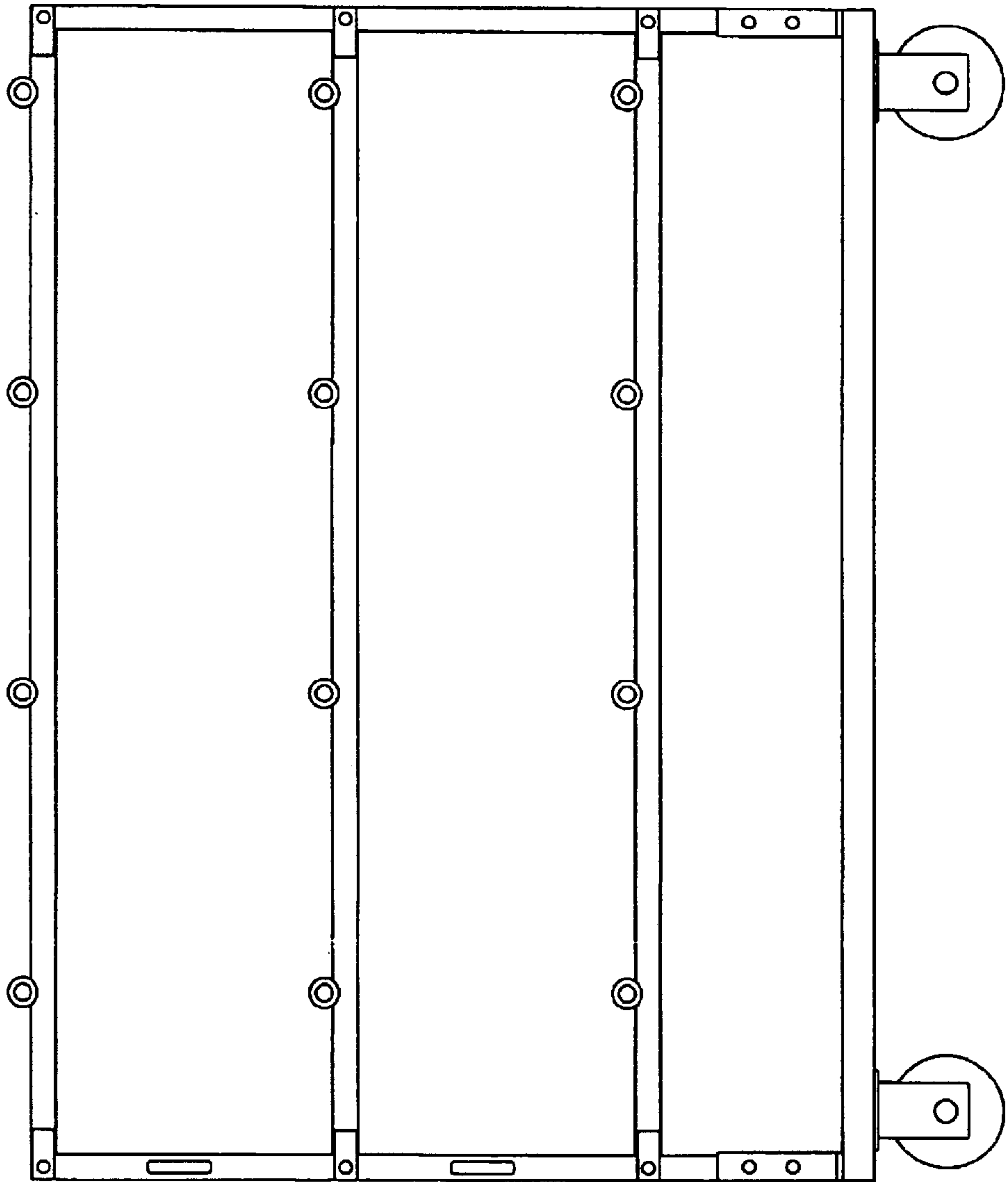
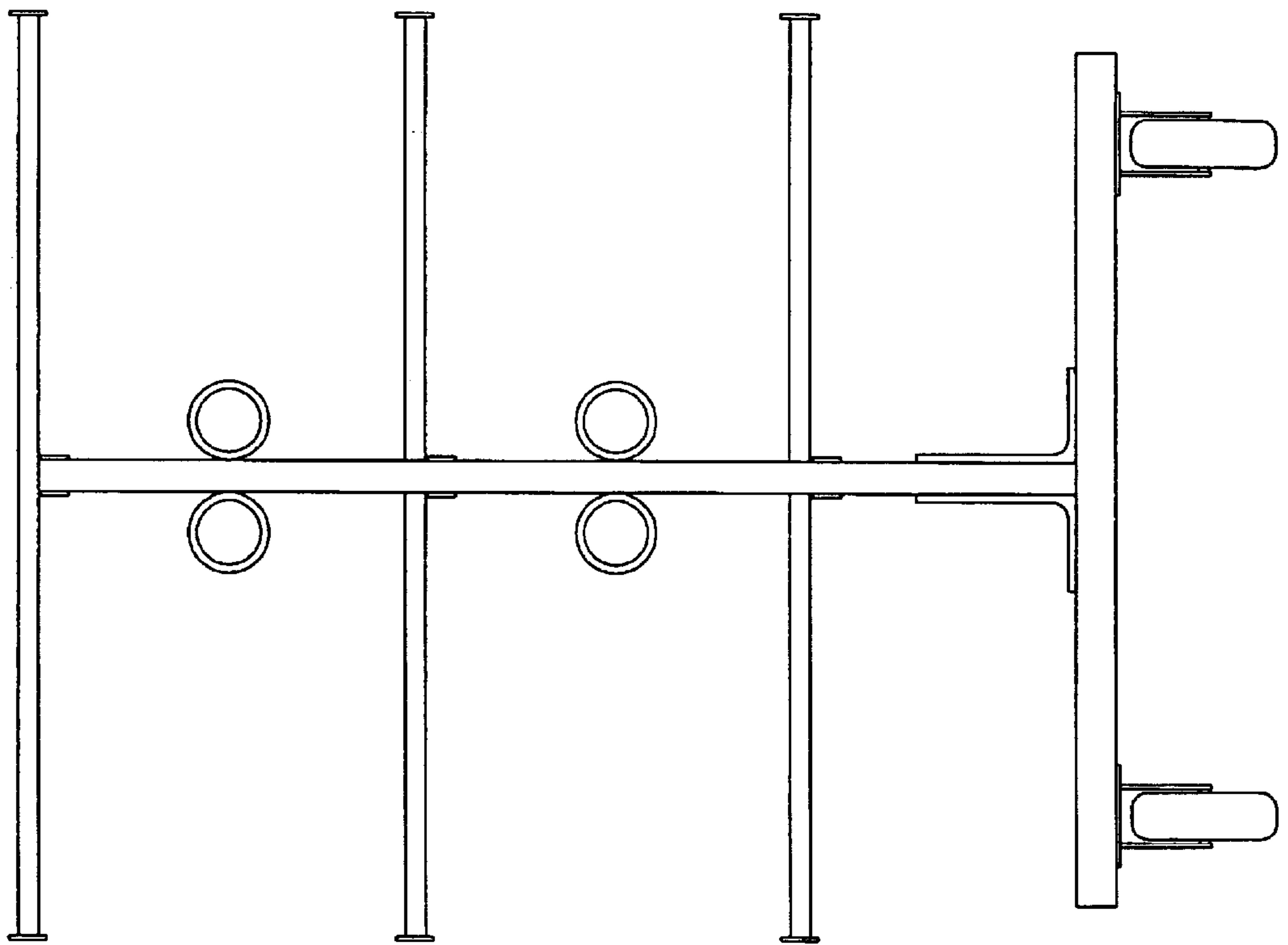


Figure 3





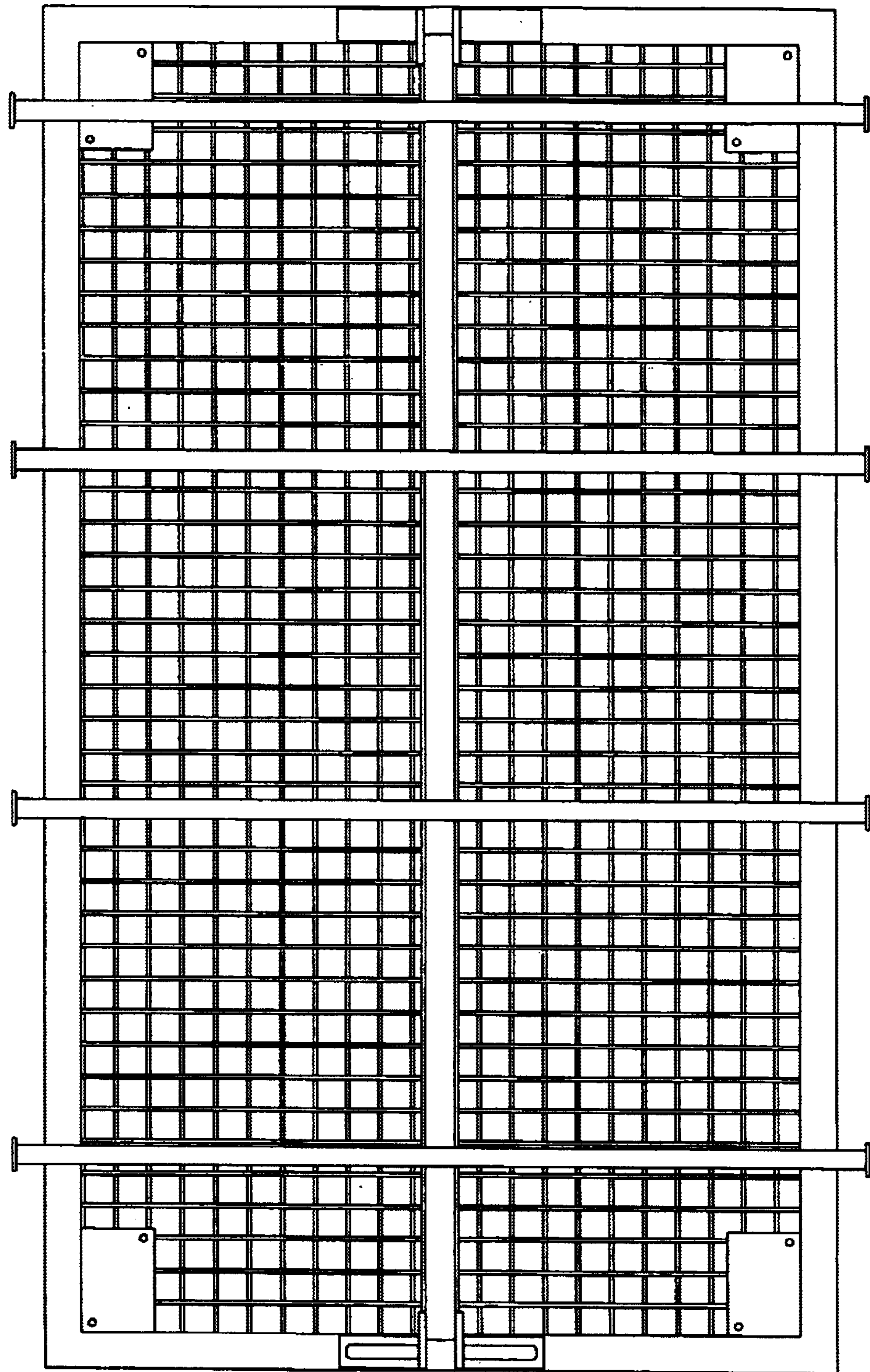


Figure 4

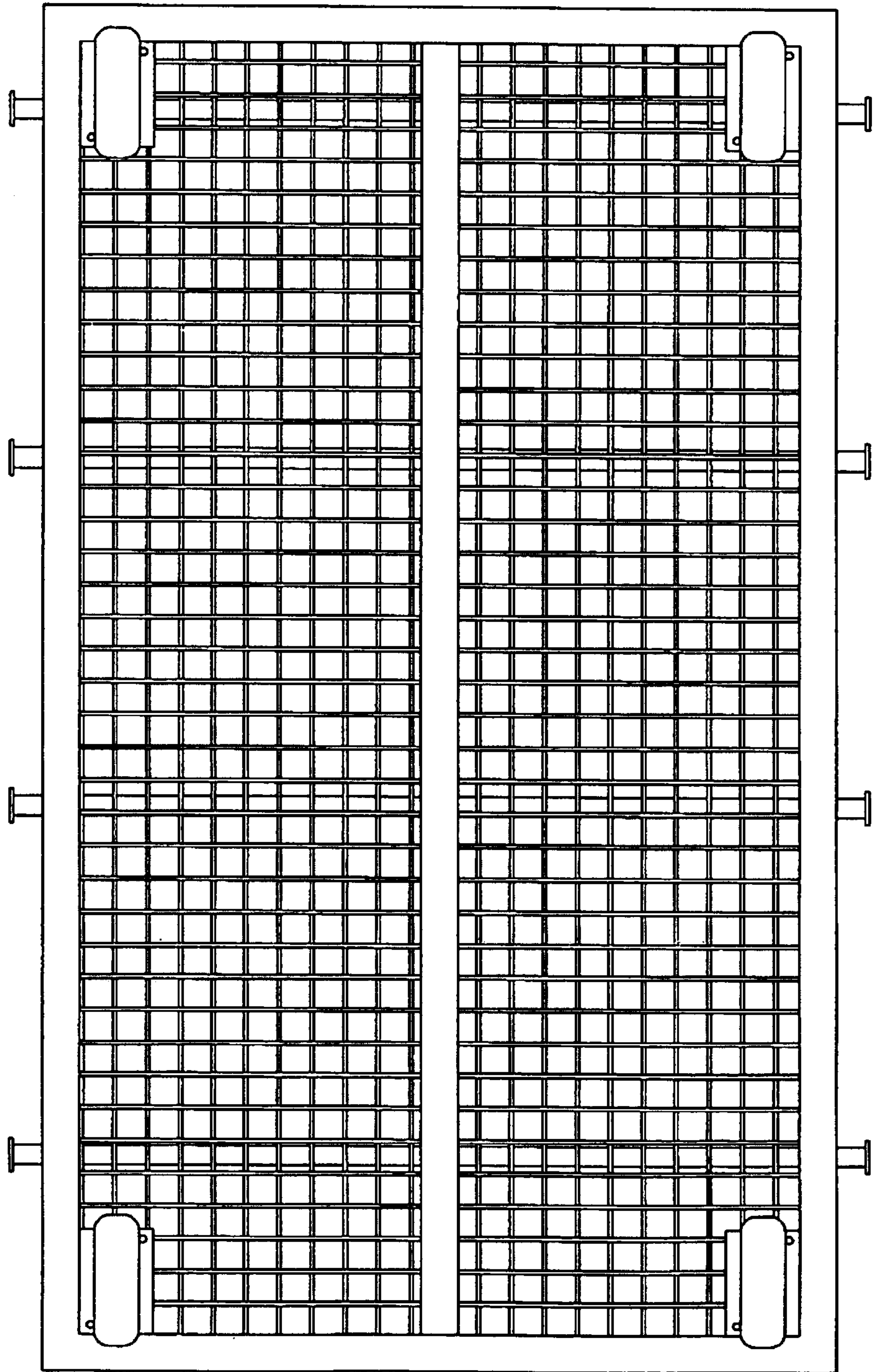


Figure 5