



US00D491328S

(12) **United States Design Patent**
Aiken et al.

(10) **Patent No.:** **US D491,328 S**
(45) **Date of Patent:** **** Jun. 8, 2004**

(54) **WASTE CONTAINER**

(75) Inventors: **Cynthia R. Aiken**, Atlanta, GA (US);
William P. Apps, Alpharetta, GA (US);
Roger S. Hsu, Torrance, CA (US)

(73) Assignee: **Rehrig Pacific Company**, Los Angeles, CA (US)

(**) Term: **14 Years**

(21) Appl. No.: **29/181,447**

(22) Filed: **May 9, 2003**

(51) **LOC (7) Cl.** **09-09**

(52) **U.S. Cl.** **D34/5**

(58) **Field of Search** D34/1, 5, 6, 7,
D34/8, 9, 10, 11; 220/908, 909, 910, 911,
675; 280/47.26

(56) **References Cited**

U.S. PATENT DOCUMENTS

3,384,385 A	5/1968	Cohen et al.	
3,830,514 A	8/1974	Green	
D291,738 S	* 9/1987	Orlowski	D34/5
D291,739 S	* 9/1987	Orlowski	D34/5
D292,638 S	* 11/1987	Carville	D34/5
D313,491 S	* 1/1991	Edelhoff et al.	D34/5
D323,912 S	* 2/1992	Delmerico	D34/5
D347,095 S	5/1994	Apps	
D355,741 S	* 2/1995	Craft et al.	D34/5
D357,779 S	* 4/1995	Breen	D34/1
D388,577 S	12/1997	Rehrig	

D398,120 S	9/1998	Rehrig	
D410,125 S	5/1999	Rehrig et al.	
5,899,468 A	5/1999	Apps	
D429,398 S	* 8/2000	Wysocki	D34/1
D445,228 S	* 7/2001	Apps et al.	D34/5
D474,317 S	* 5/2003	Tuduri	D34/1
D478,197 S	* 8/2003	Raghunathan	D34/5

FOREIGN PATENT DOCUMENTS

CA	2 344 843	11/2001
DE	830 171	1/1952
DE	11 91 740	4/1965
EP	1 106 535	6/2001
WO	WO 03/050017 A1	6/1993
WO	WO 97 46468 A1	12/1997

* cited by examiner

Primary Examiner—Cynthia E. Ramirez

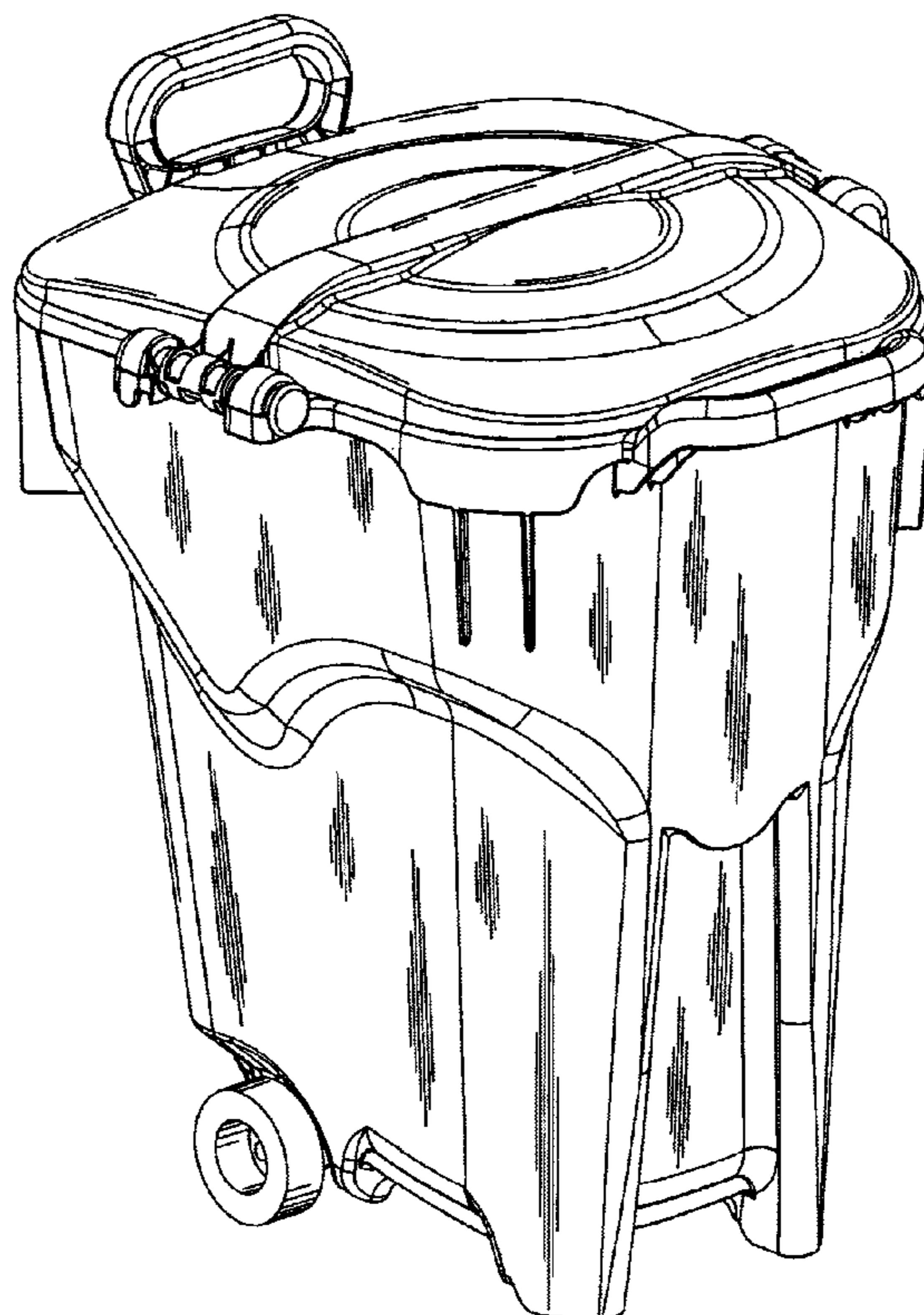
(57) **CLAIM**

The ornamental design for a waste container, as shown and described.

DESCRIPTION

FIG. 1 is a front perspective view of a first embodiment of a waste container showing our new design; FIG. 2 is front elevational view of the first embodiment; FIG. 3 is a rear elevational view of thereof; FIG. 4 is a left side elevational view thereof; FIG. 5 is a right side elevational view thereof; FIG. 6 is a top plan view thereof; and, FIG. 7 is a bottom plan view thereof.

1 Claim, 6 Drawing Sheets



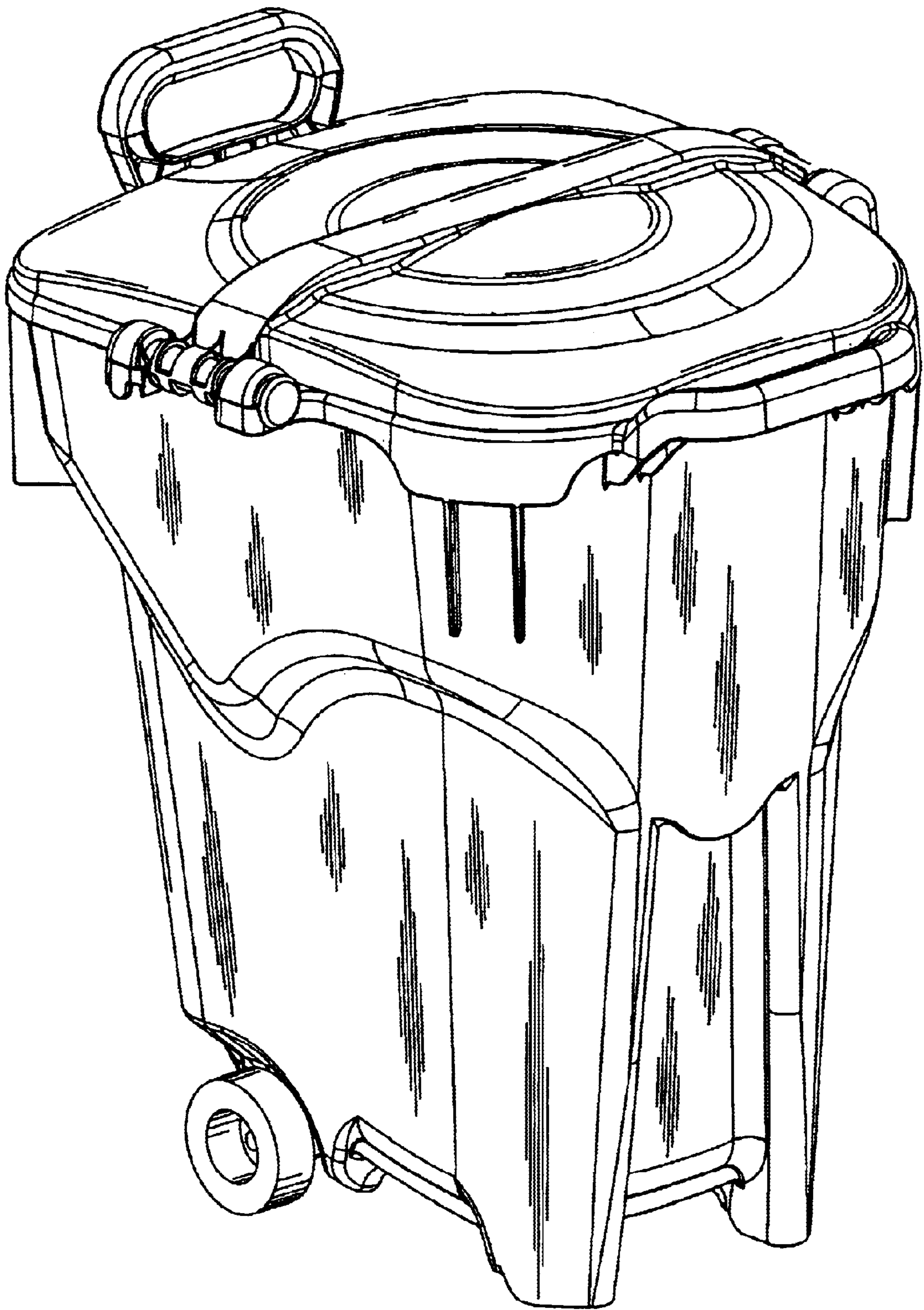


Fig. 1

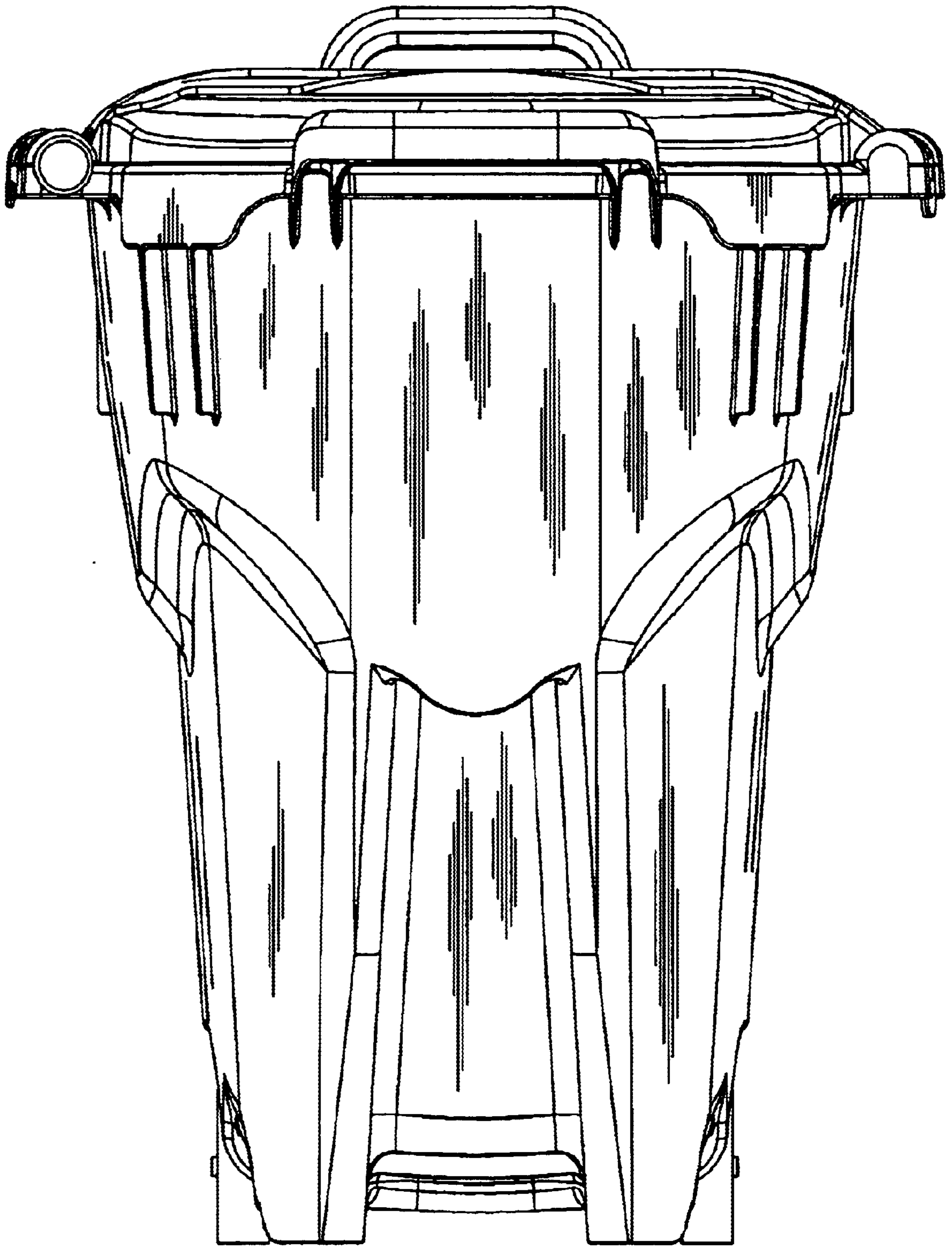


Fig. 2

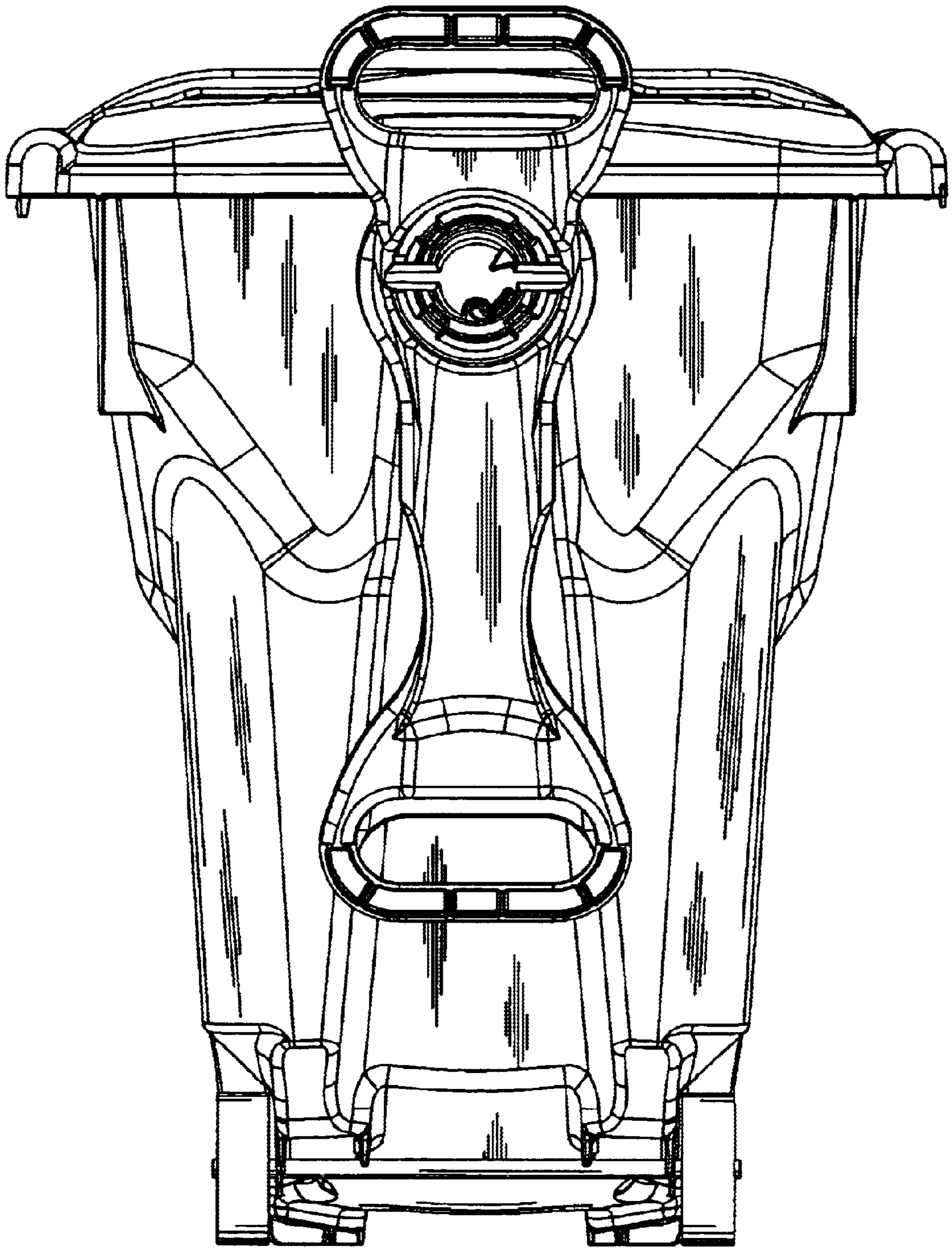


Fig. 3

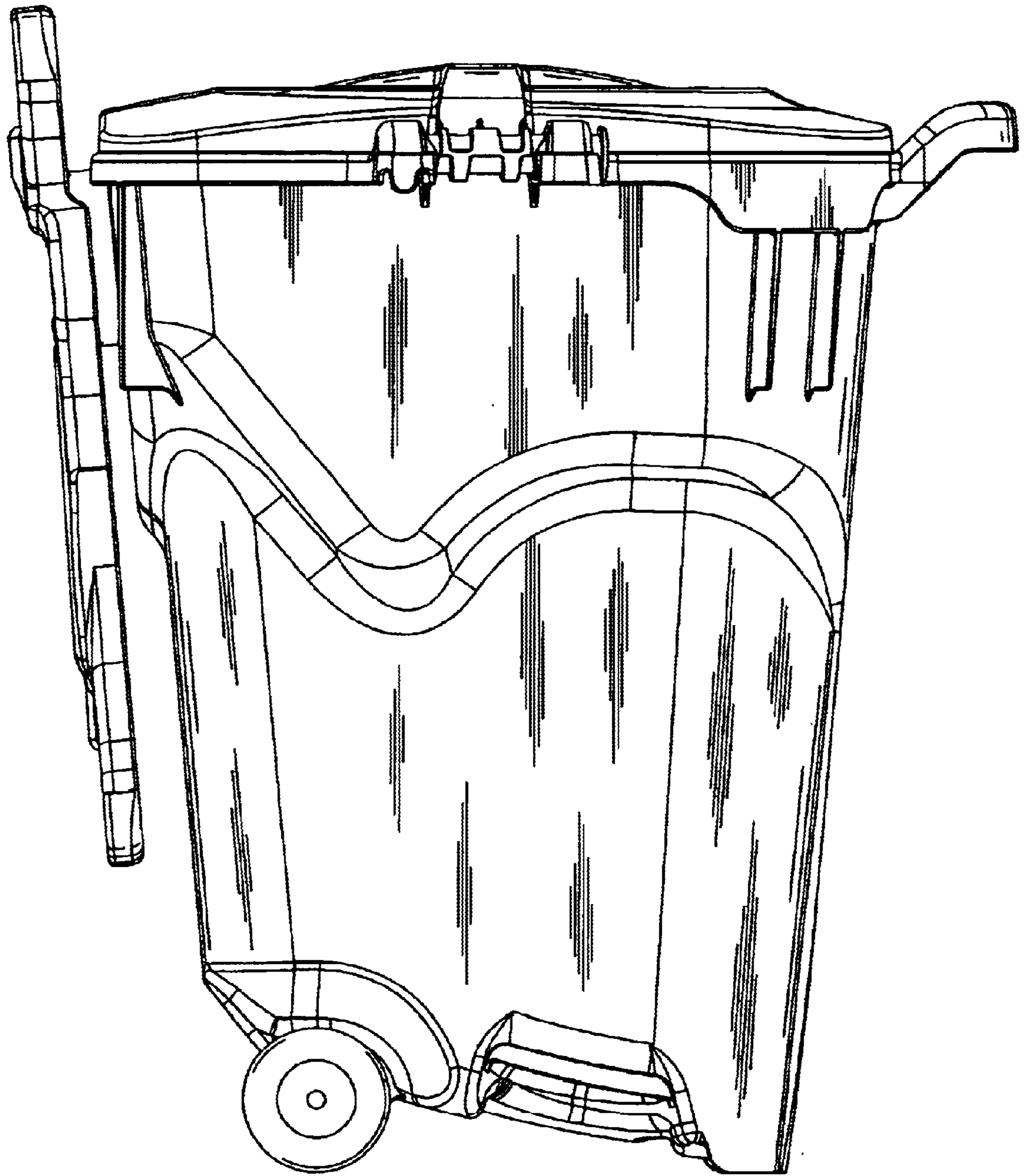


Fig. 4

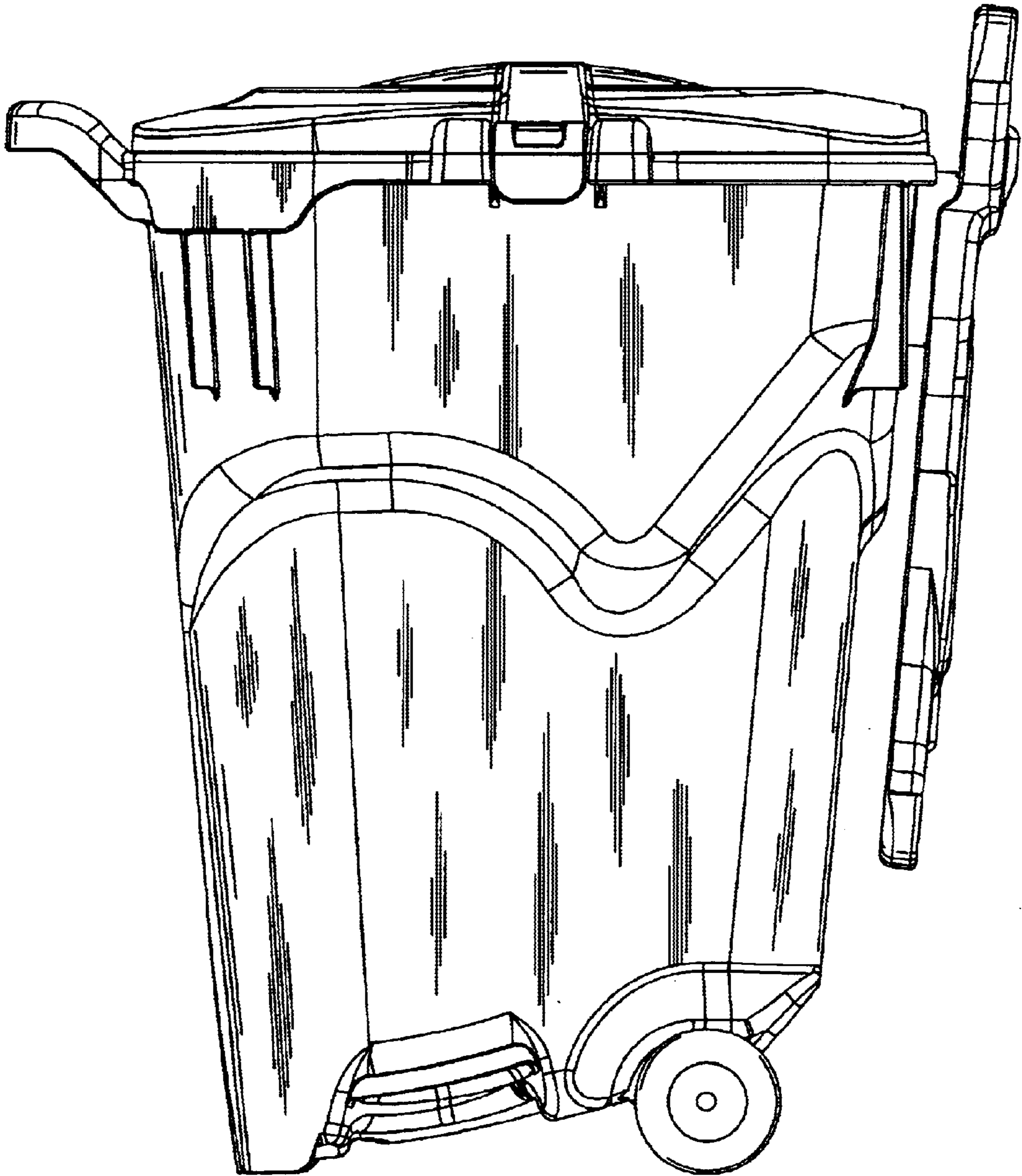


Fig. 5

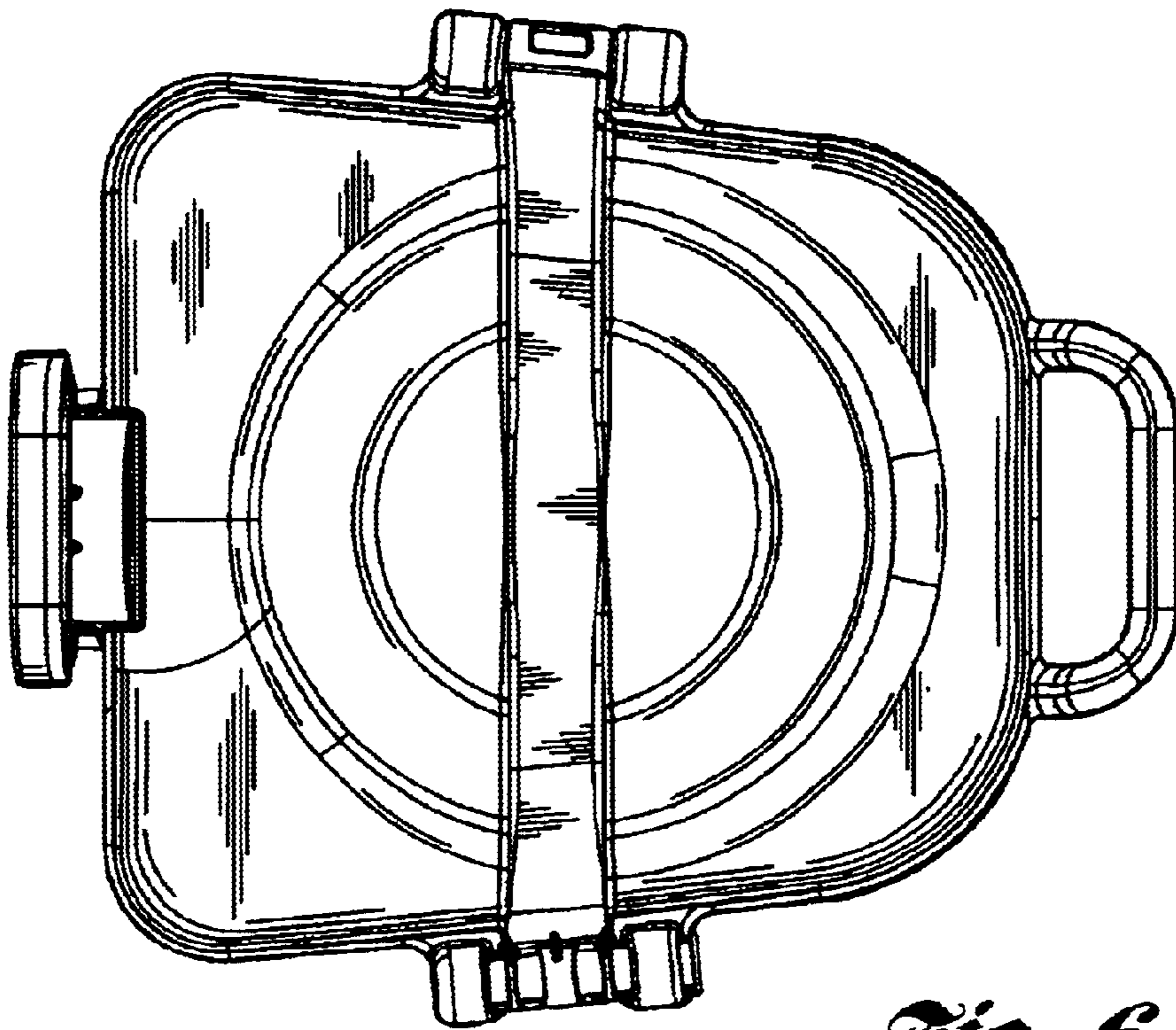


Fig. 6

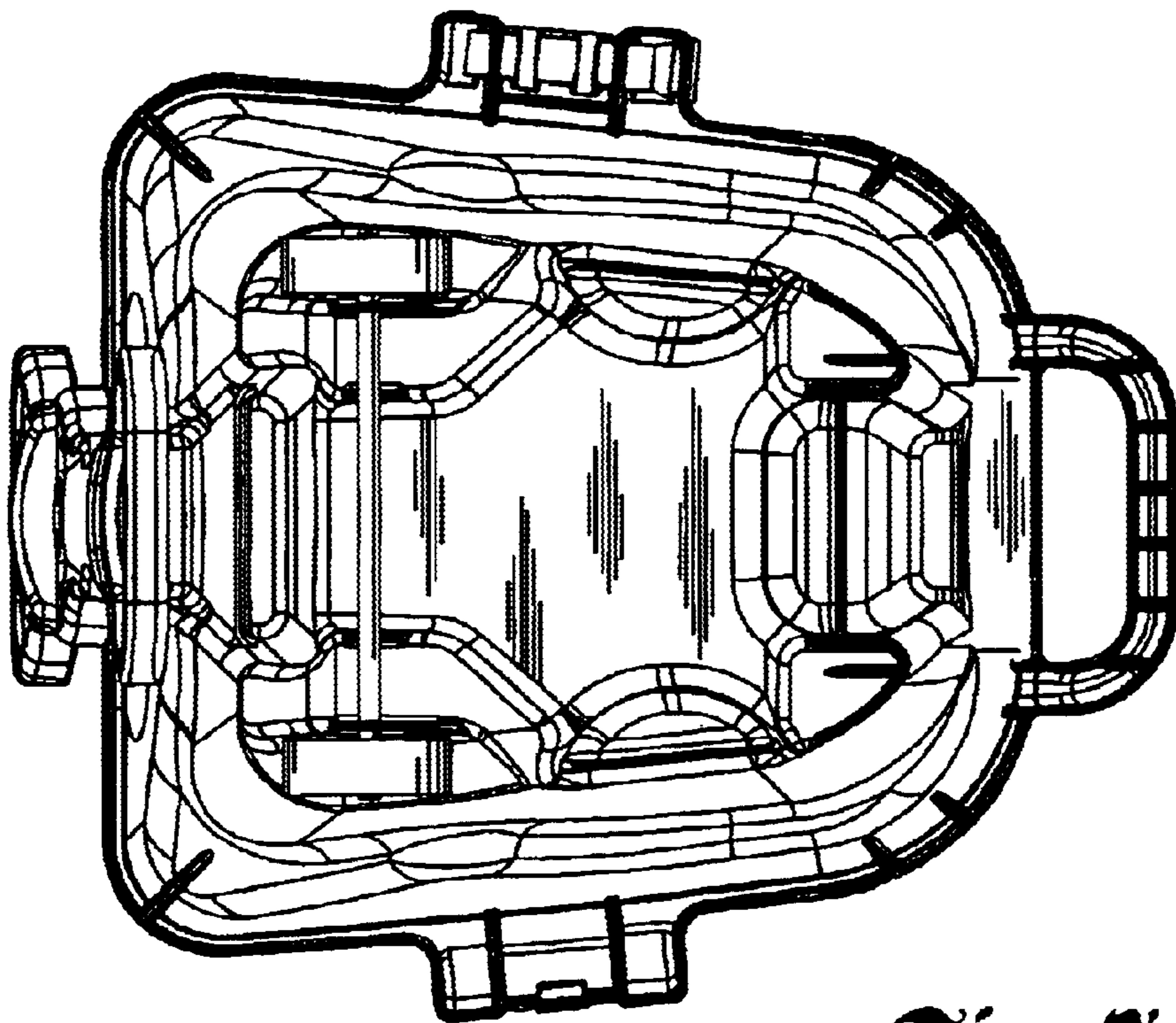


Fig. 7