



US00D491321S

(12) **United States Design Patent**  
**Wolf**

(10) **Patent No.:** **US D491,321 S**

(45) **Date of Patent:** **\*\* Jun. 8, 2004**

(54) **PET DISH**

(75) Inventor: **Matthew Jay Wolf**, Fort Worth, TX  
(US)

(73) Assignee: **Doskocil Manufacturing Company,**  
**Inc.**, Arlington, TX (US)

(\*\*) Term: **14 Years**

(21) Appl. No.: **29/191,768**

(22) Filed: **Oct. 15, 2003**

(51) **LOC (7) Cl.** ..... **30-03**

(52) **U.S. Cl.** ..... **D30/129**

(58) **Field of Search** ..... D30/121, 129-130,  
D30/132-133; D7/543, 550.1, 586-587,  
505, 584, 545; D9/500; 119/61-63, 51.5,  
57.8, 74; 220/574, 17, 212, 514, 255, 23.83

(56) **References Cited**

**U.S. PATENT DOCUMENTS**

D313,486 S	1/1991	Conner
D313,487 S	1/1991	Conner
D313,488 S	1/1991	Conner
D313,489 S	1/1991	Conner

5,857,427 A	1/1999	Kelley	
D424,757 S	5/2000	Cooper et al.	
D458,419 S	6/2002	Ross	
D459,841 S	7/2002	Ross	
D465,884 S	11/2002	Ross	
D467,044 S	* 12/2002	Tangolics	..... D30/129
D471,677 S	3/2003	Northrop	
D472,021 S	3/2003	Northrop	

\* cited by examiner

*Primary Examiner*—Pamela Burgess

(74) *Attorney, Agent, or Firm*—Locke Liddell & Sapp LLP

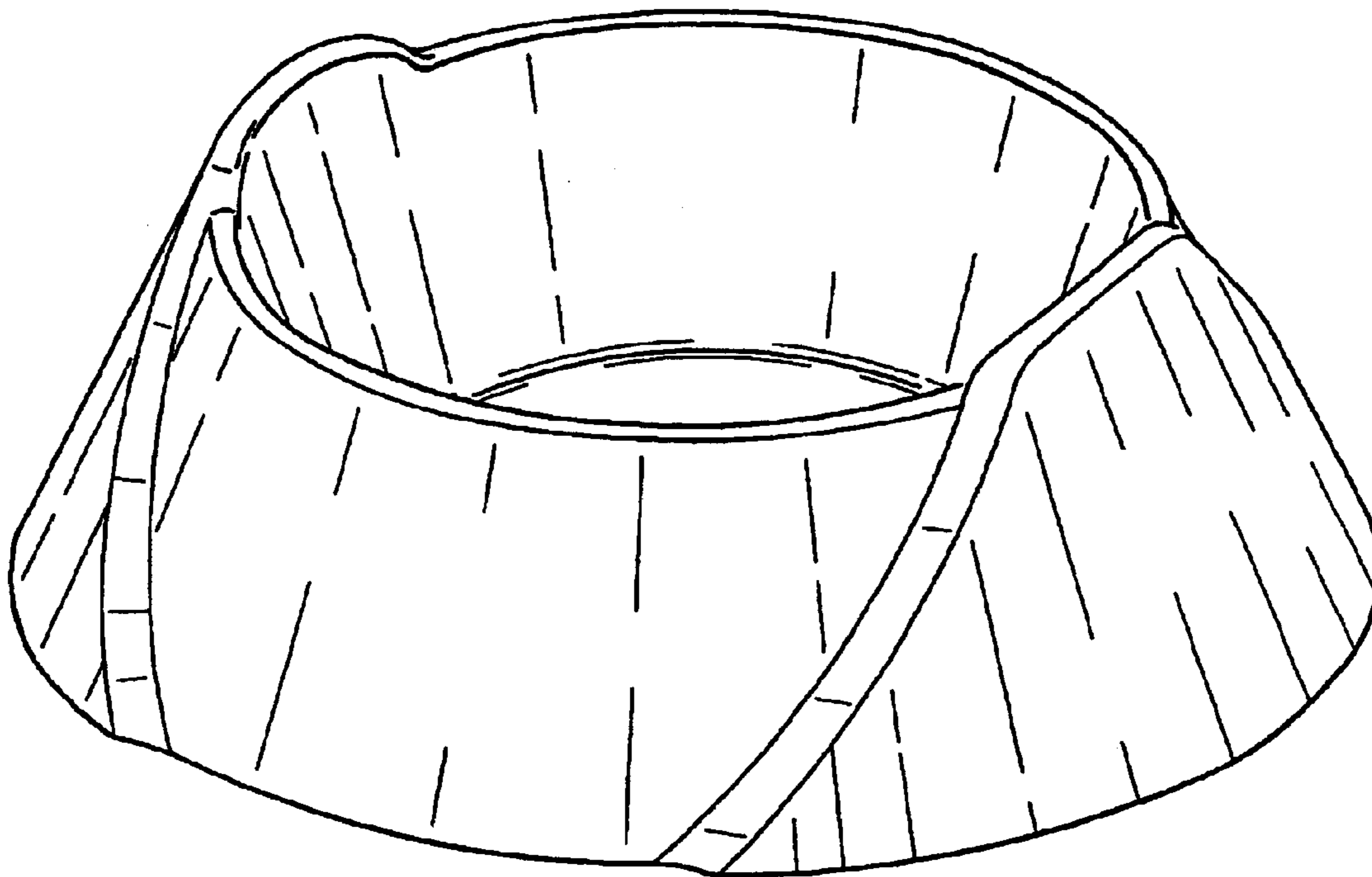
(57) **CLAIM**

The ornamental design for a pet dish, as shown and described.

**DESCRIPTION**

FIG. 1 is a front perspective view of the pet dish;  
FIG. 2 is a front elevational view thereof, the rear view being identical thereto;  
FIG. 3 is a left side elevational view thereof, the right side elevational view being identical thereto;  
FIG. 4 is a top plan view thereof; and,  
FIG. 5 is a bottom plan view thereof.

**1 Claim, 2 Drawing Sheets**



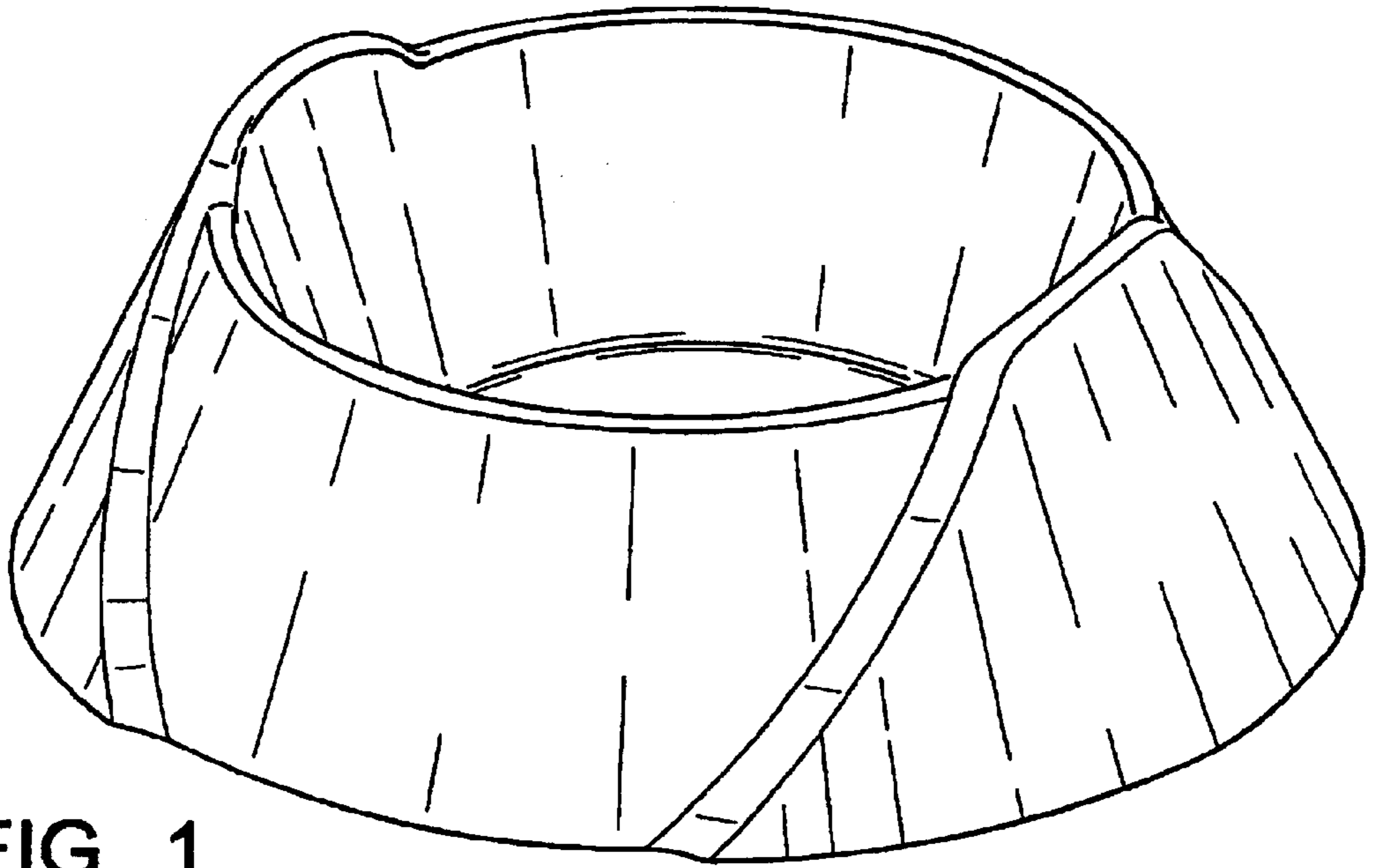


FIG. 1

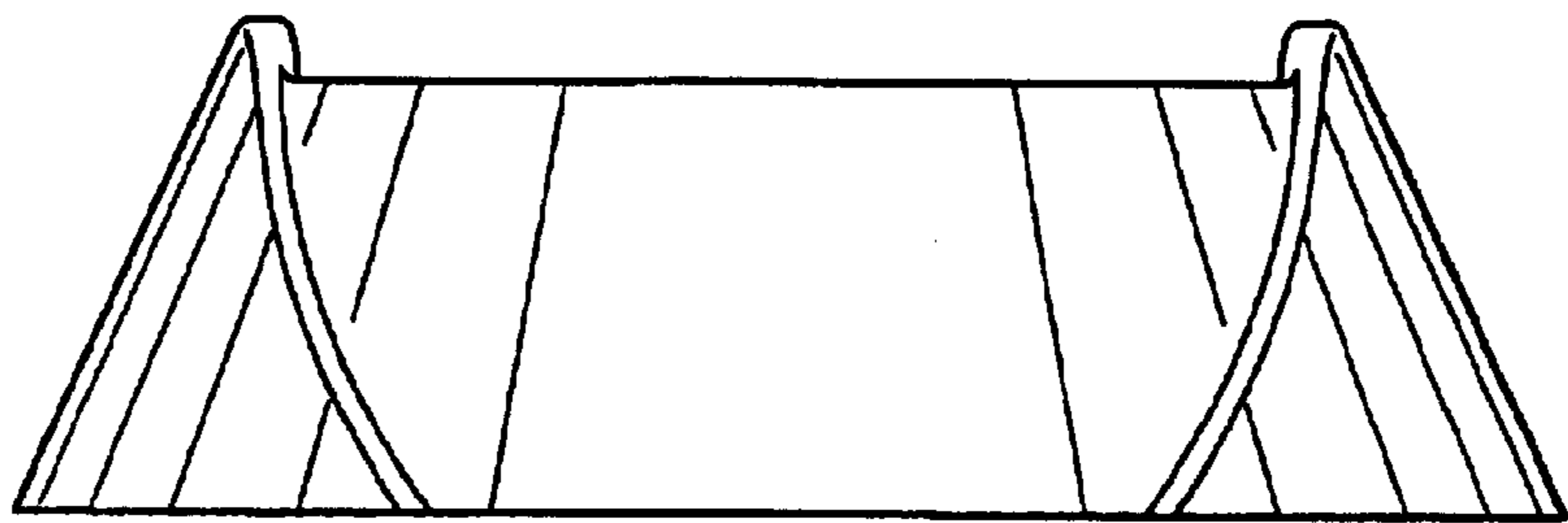


FIG. 2

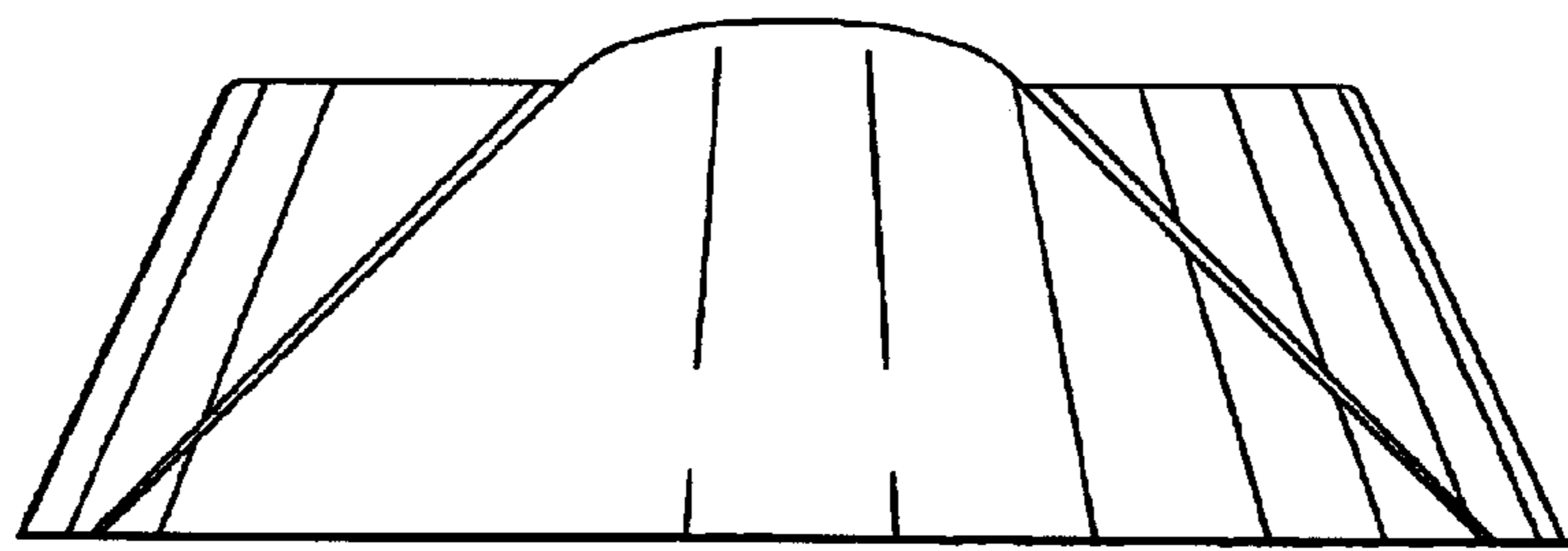


FIG. 3

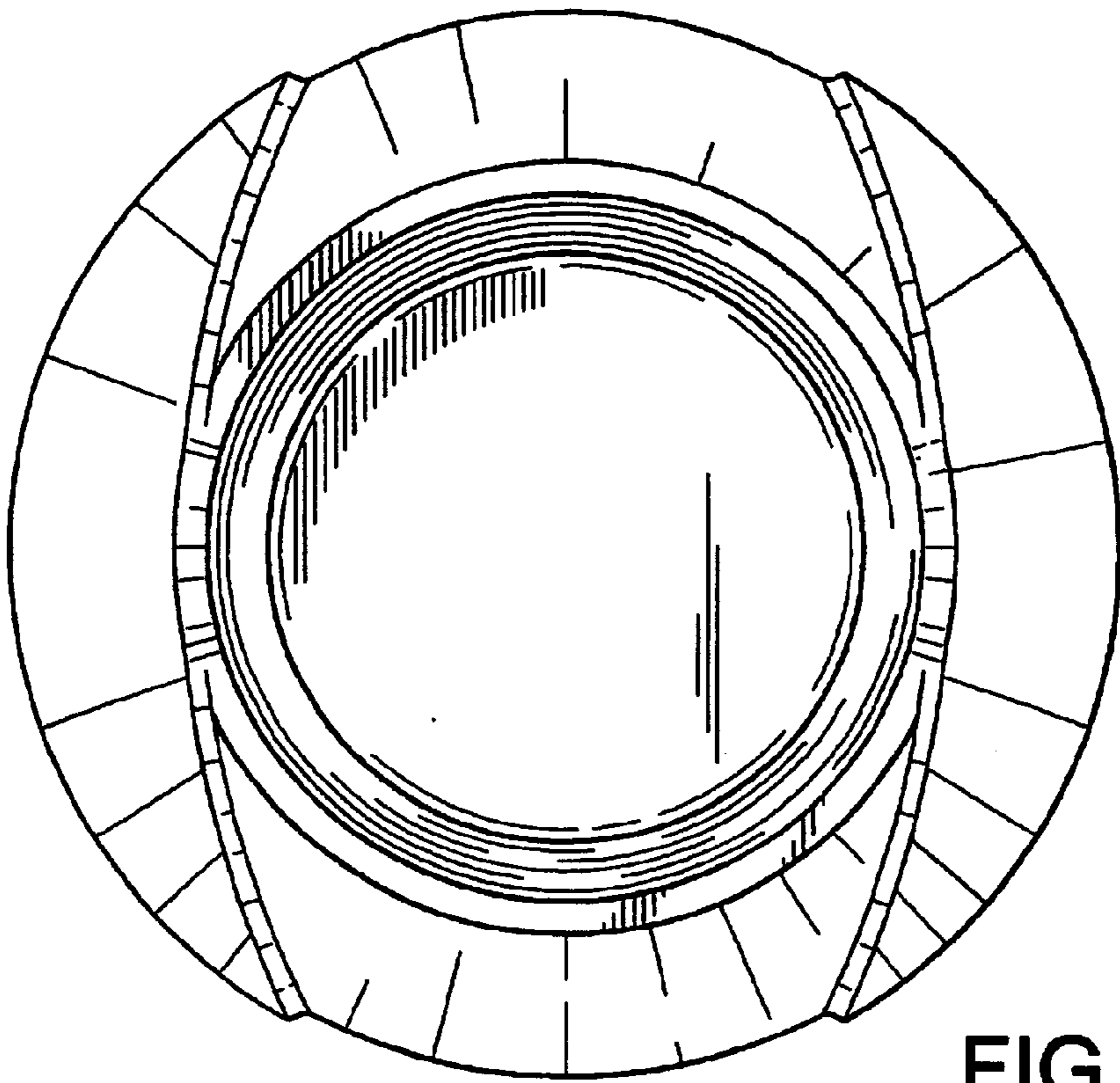


FIG. 4

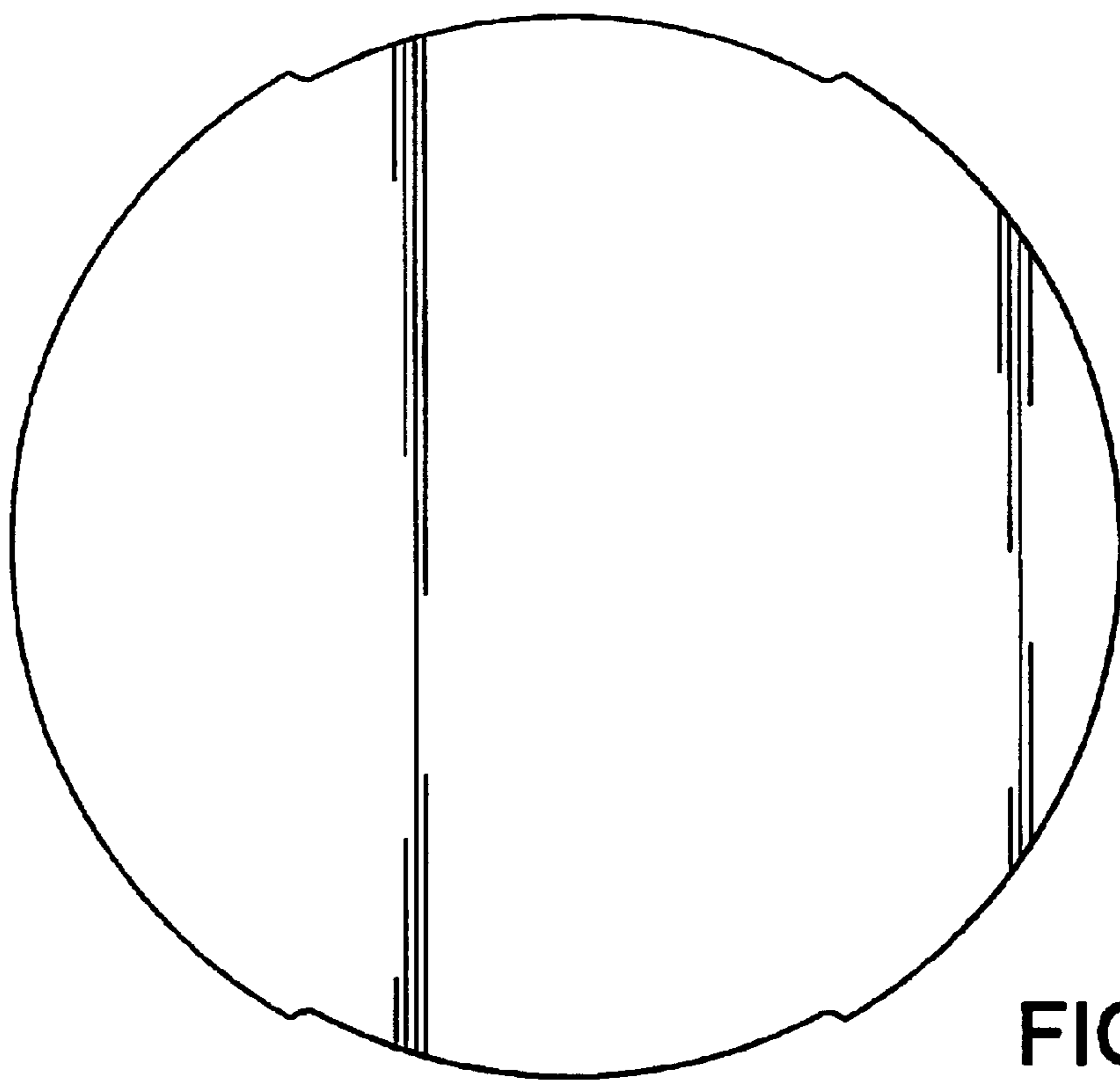


FIG. 5