



US00D491314S

(12) **United States Design Patent**
Cousins

(10) **Patent No.:** **US D491,314 S**

(45) **Date of Patent:** **** Jun. 8, 2004**

(54) **COSMETIC CONTAINER**

D438,346 S * 2/2001 Thorpe et al. D28/77

(75) Inventor: **Roger Wesley Cousins**, Aurora, CO (US)

* cited by examiner

Primary Examiner—Jennifer Rivard

(73) Assignee: **OraLabs, Inc.**, Parker, CO (US)

(74) *Attorney, Agent, or Firm*—Welsh & Flaxman LLC

(**) Term: **14 Years**

(57) **CLAIM**

(21) Appl. No.: **29/187,735**

The ornamental design for a cosmetic container, as shown and described.

(22) Filed: **Aug. 7, 2003**

DESCRIPTION

(51) **LOC (7) Cl.** **28-03**

FIG. 1 is a perspective view of a cosmetic container showing my new design.

(52) **U.S. Cl.** **D28/77; D28/83; D3/208**

FIG. 2 is a side view thereof.

(58) **Field of Search** D28/73, 76-79,
D28/81-83, 85; 132/293-307, 314-315;
206/581, 823

FIG. 3 is a top view thereof.

FIG. 4 is a bottom side view thereof.

FIG. 5 is a front side view thereof.

FIG. 6 is a rear view thereof; and,

FIG. 7 is an exploded view thereof.

(56) **References Cited**

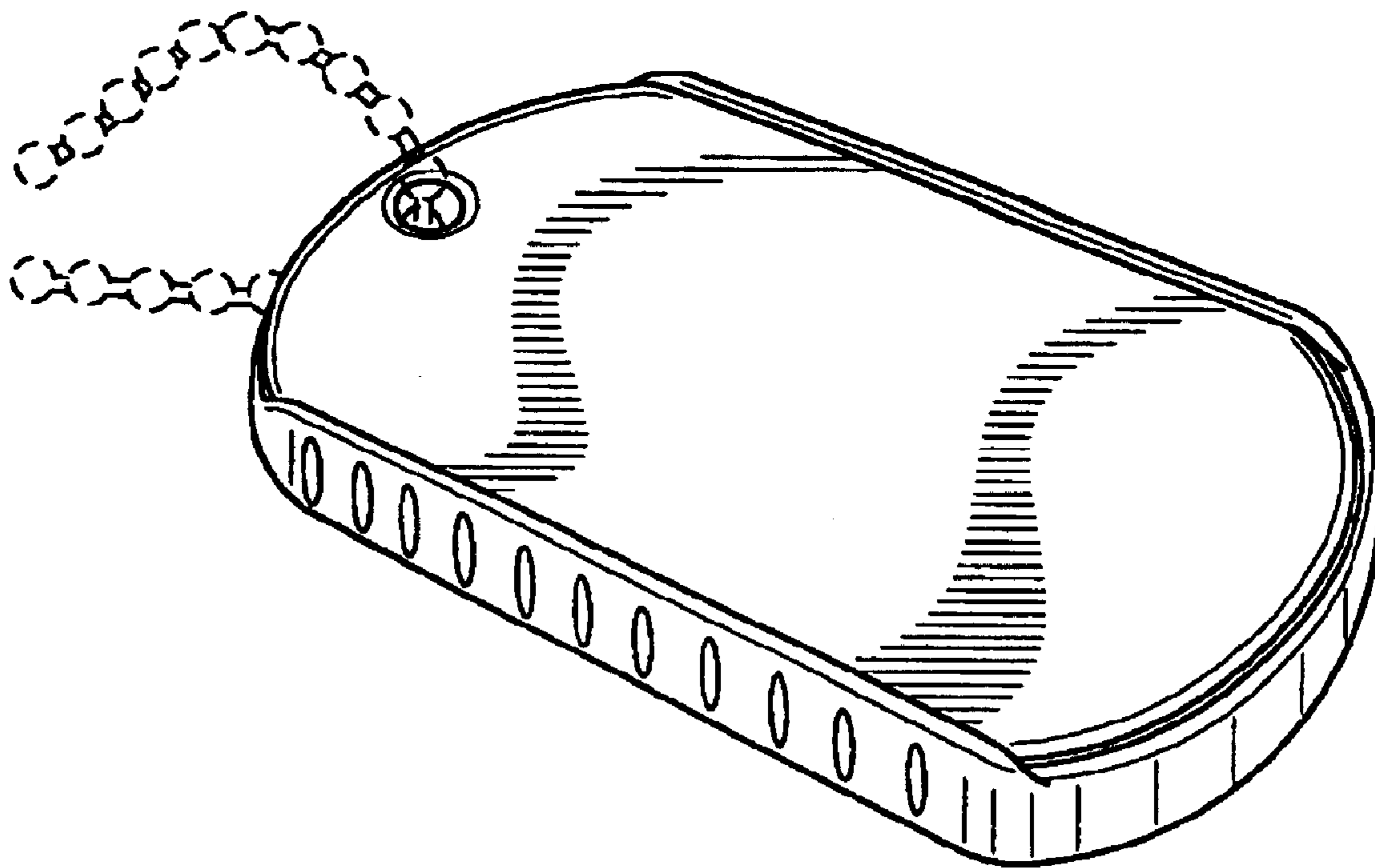
The broken line environmental showing is for illustrative purposes only and forms no part of the claimed design.

U.S. PATENT DOCUMENTS

D364,734 S * 12/1995 Ben-Zeev et al. D3/208

D369,902 S * 5/1996 Petruzzi D3/208

1 Claim, 2 Drawing Sheets



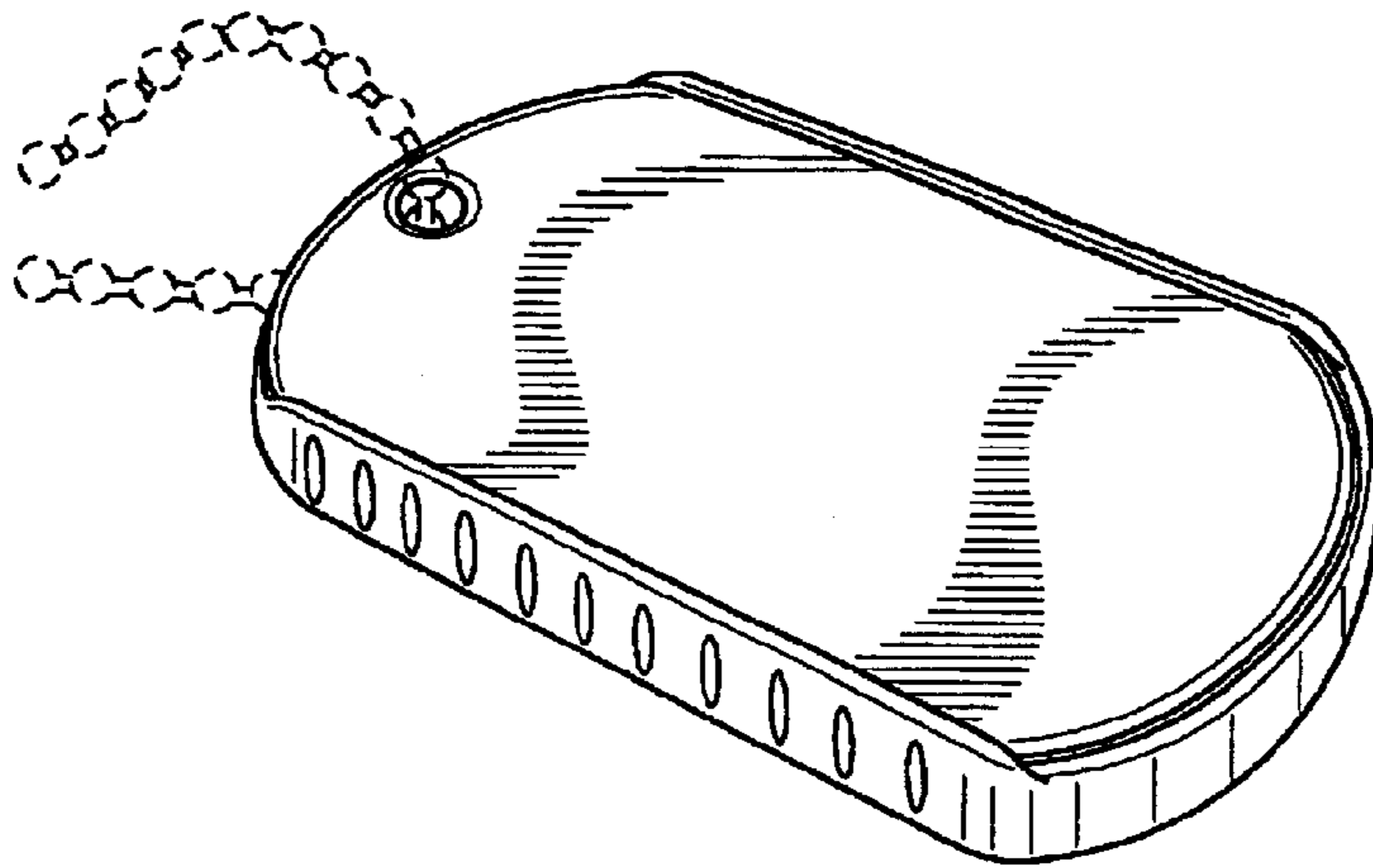


FIG. 1

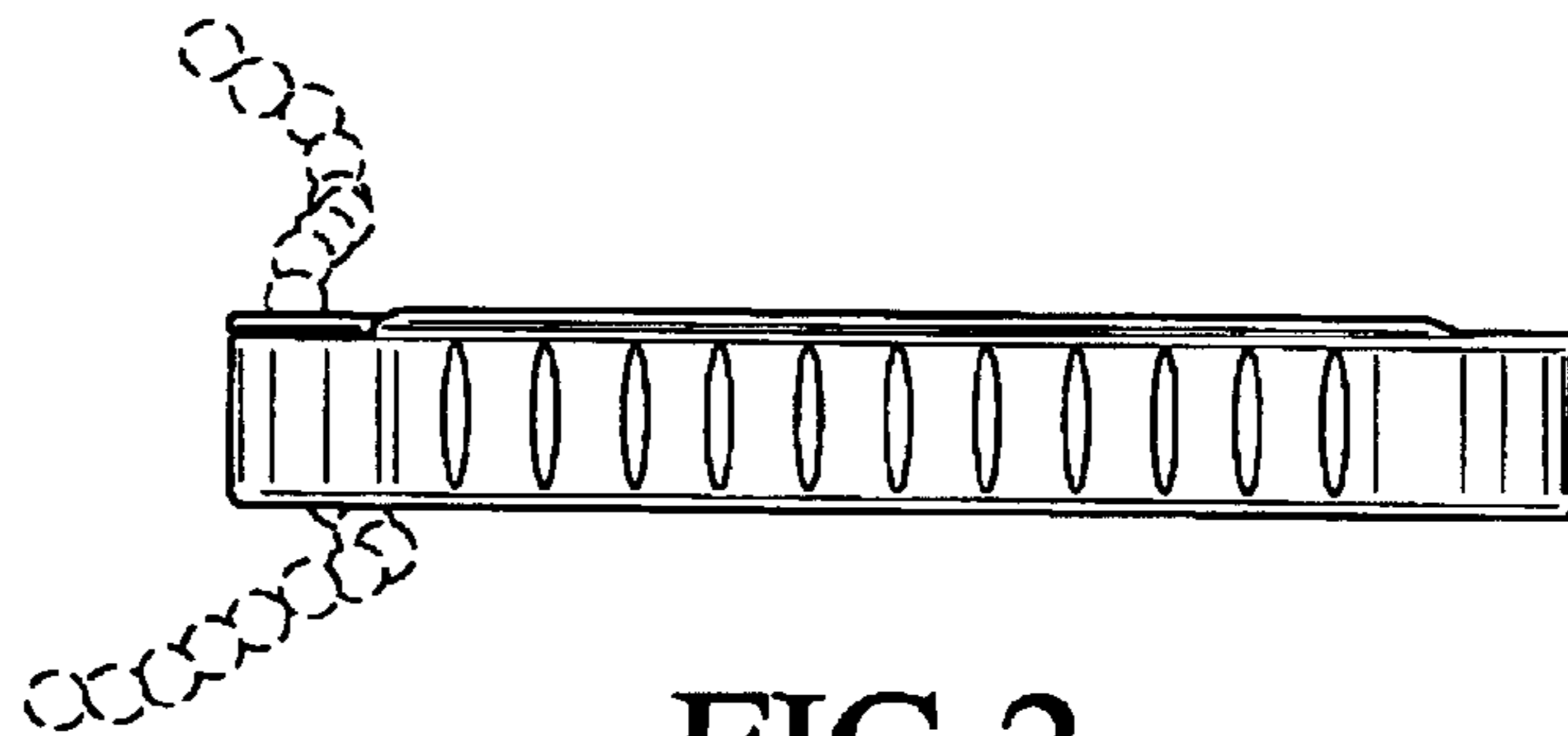


FIG. 2

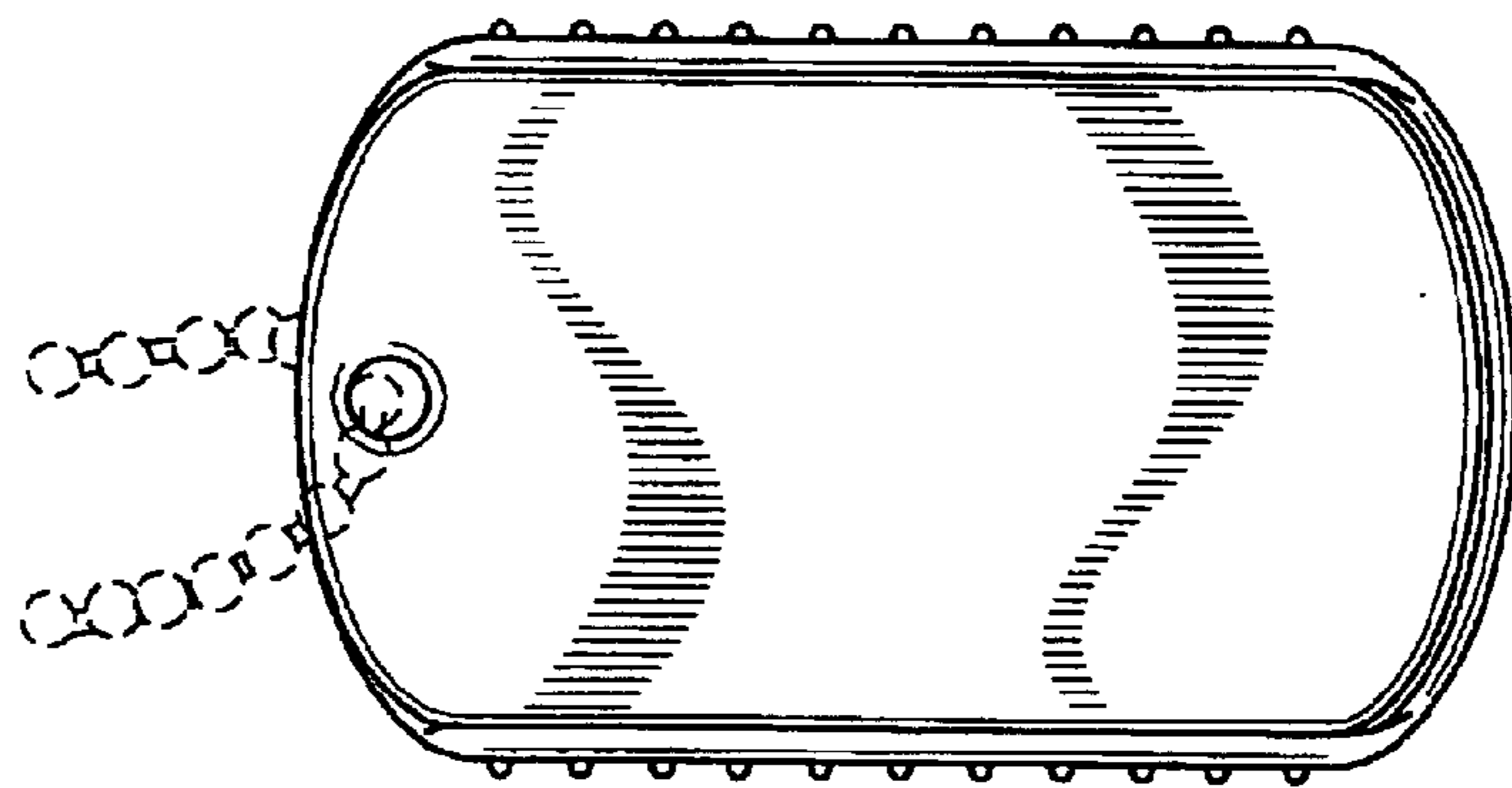


FIG. 3

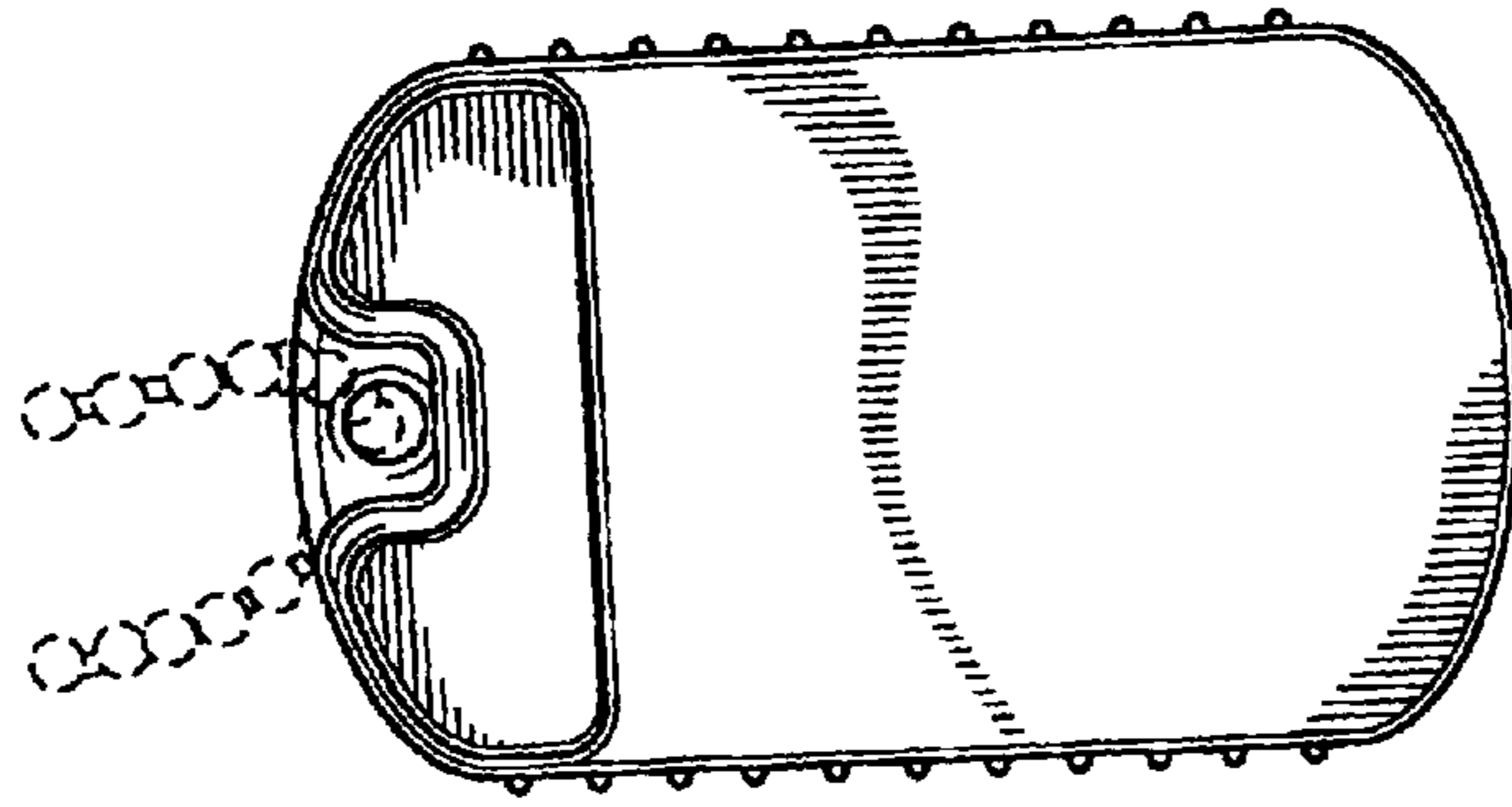


FIG. 4

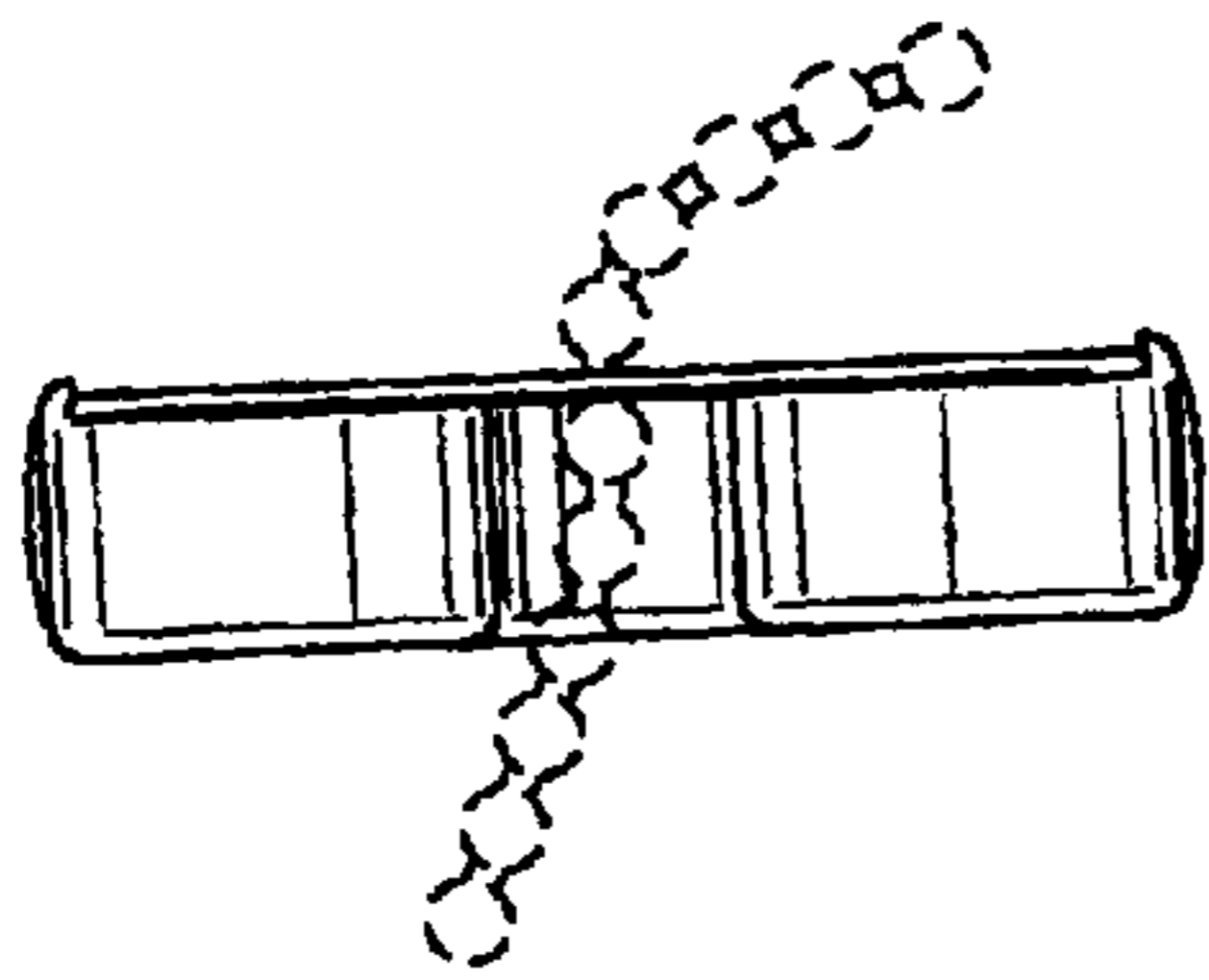


FIG. 5

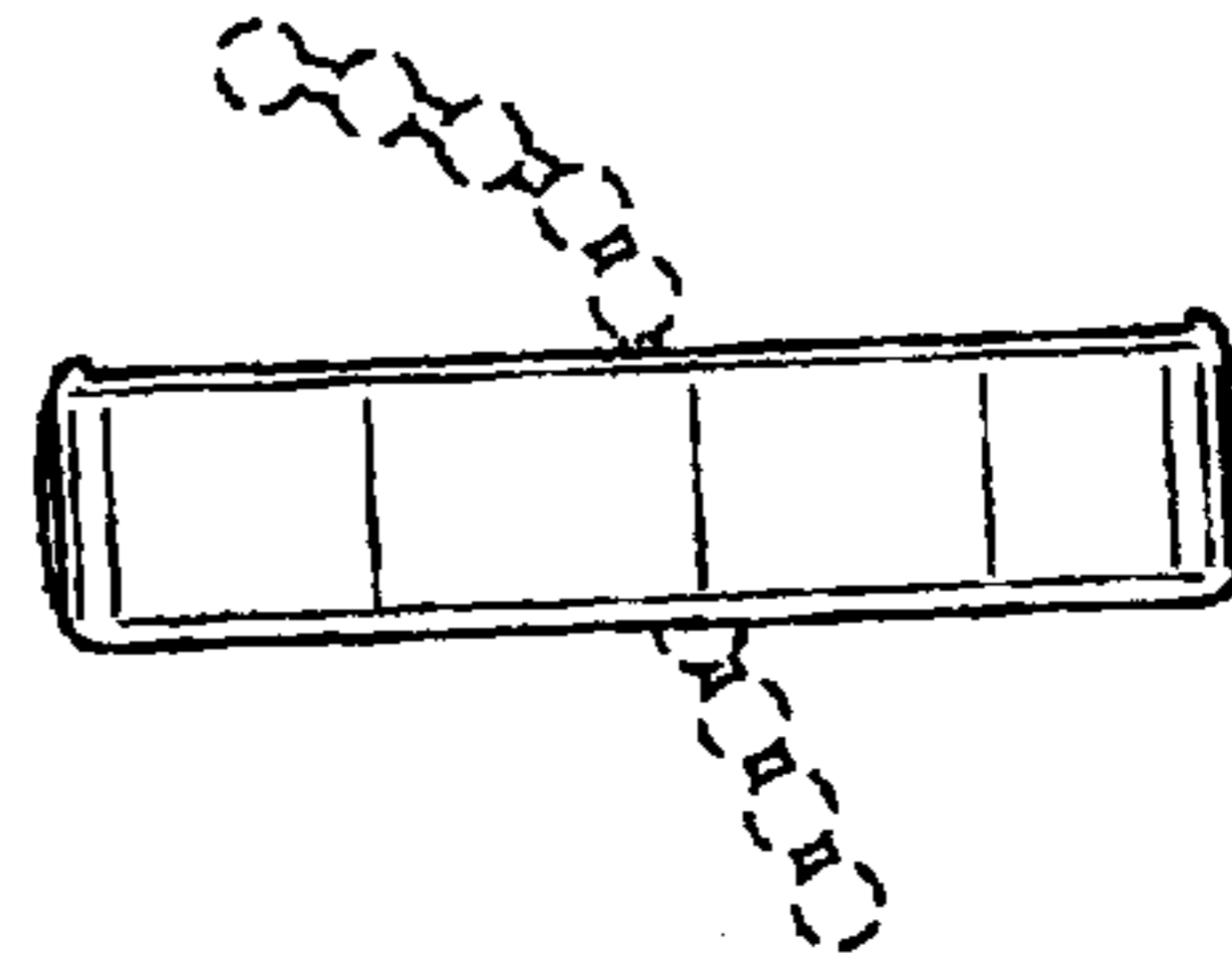


FIG. 6

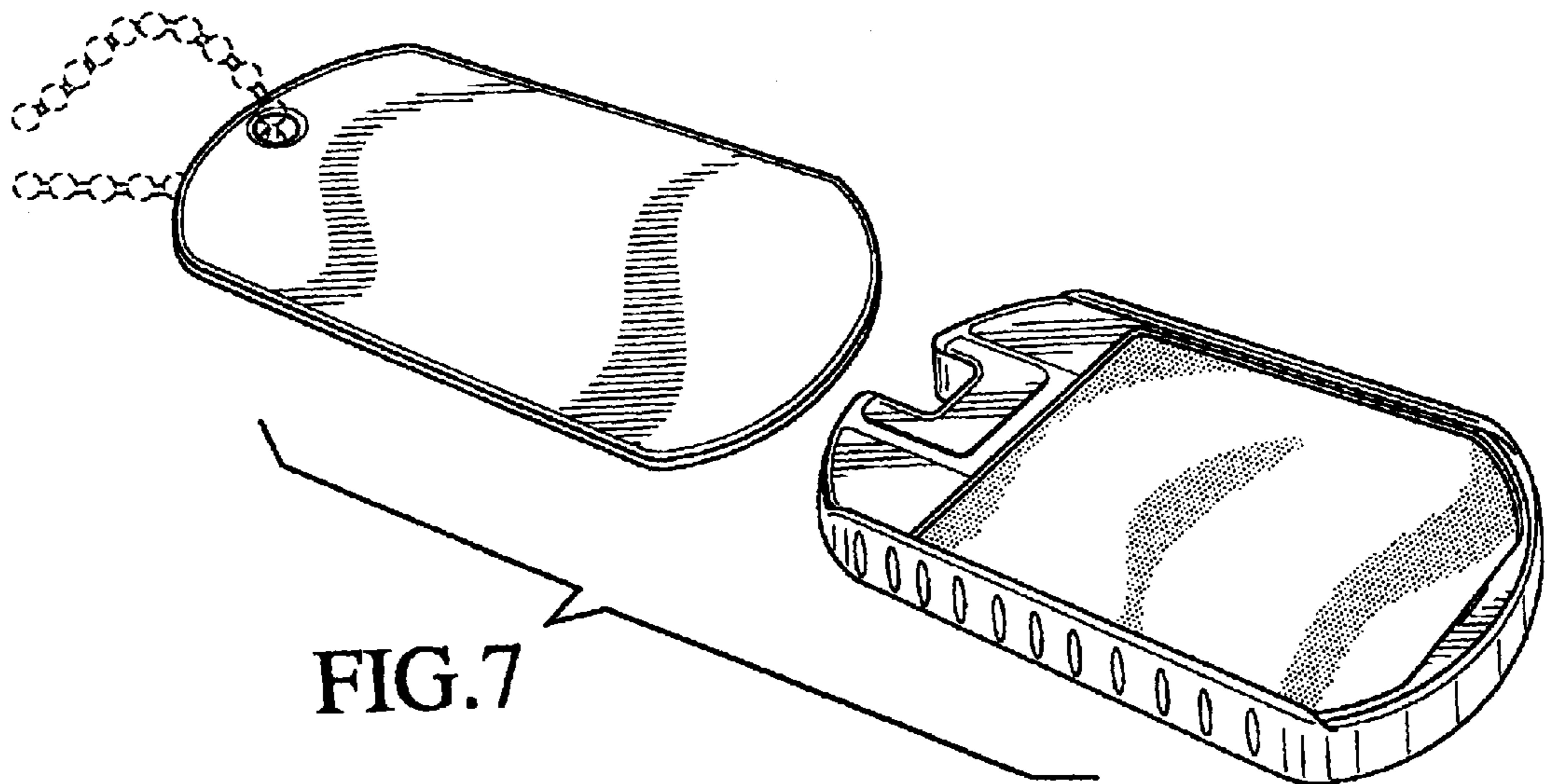


FIG. 7