



US00D491313S

(12) **United States Design Patent**
Schrott

(10) **Patent No.:** **US D491,313 S**

(45) **Date of Patent:** **** Jun. 8, 2004**

(54) **DENTAL FLOSS HOLDER IN CREDIT CARD FORM**

5,722,439 A * 3/1998 Endelson 132/321
6,213,132 B1 * 4/2001 Andrews 132/321

(76) Inventor: **Michael Schrott**, Jagerbichl 2b, A-6111 Volders (AT)

* cited by examiner

(**) Term: **14 Years**

Primary Examiner—Lucy Lieberman
(74) *Attorney, Agent, or Firm*—Wenderoth, Lind & Ponack, L.L.P.

(21) Appl. No.: **29/179,229**

(57) **CLAIM**

(22) Filed: **Apr. 8, 2003**

The ornamental design for a dental floss holder in credit card form, as shown.

(51) **LOC (7) Cl.** **28-03**

(52) **U.S. Cl.** **D28/66; D9/419**

(58) **Field of Search** D28/66, 65, 68; 132/321-329; D9/419; 206/63.5, 227, 63.3

DESCRIPTION

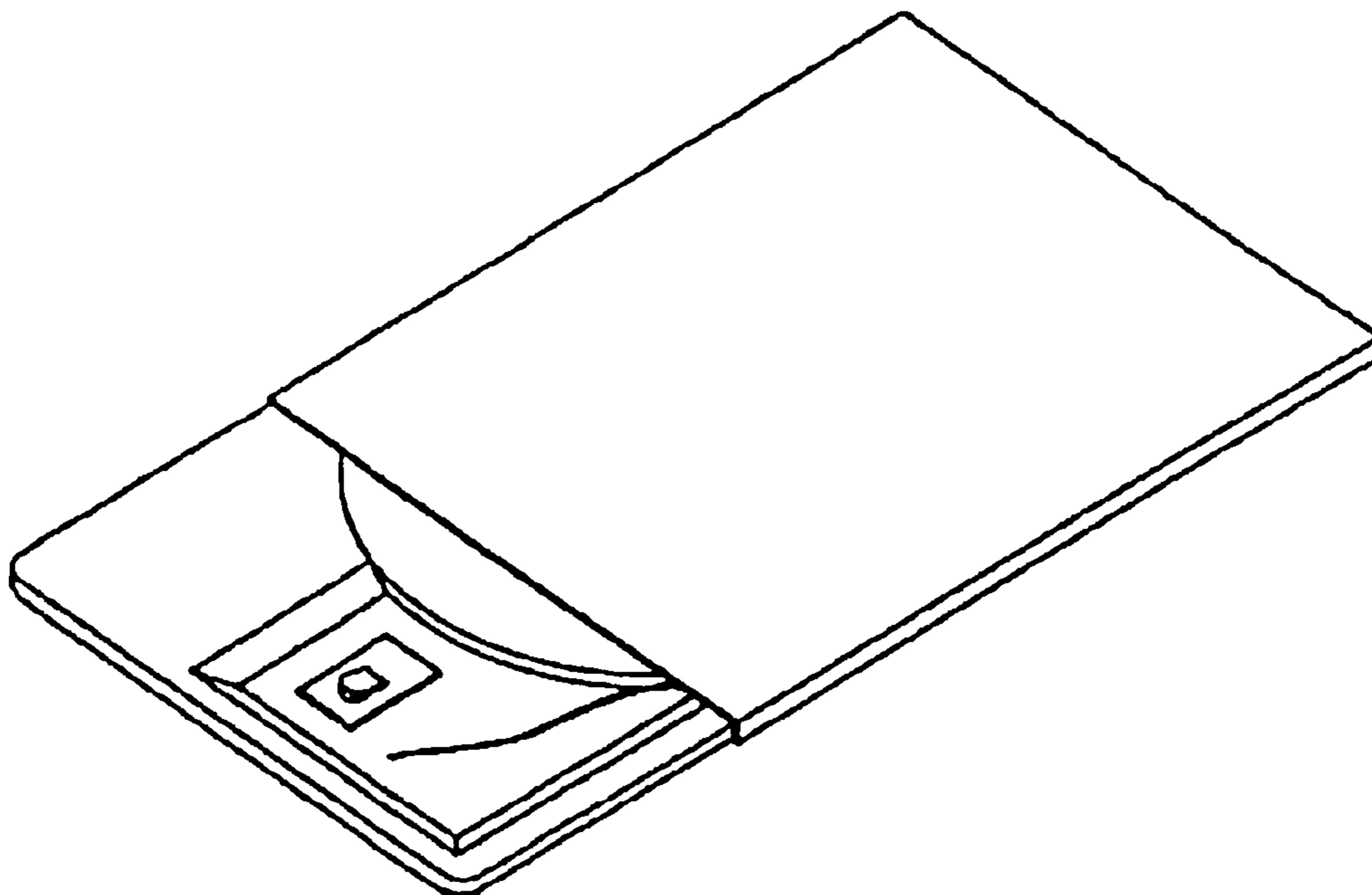
(56) **References Cited**

FIG. 1 is a top perspective view of a dental floss holder in credit card form showing my new design, in an open condition;
FIG. 2 is a bottom perspective view thereof, in an open condition;
FIG. 3 is a top perspective view thereof, in a closed condition; and,
FIG. 4 is a bottom perspective view thereof, in a closed conditions.

U.S. PATENT DOCUMENTS

| | | | | | | |
|-----------|---|---|---------|-----------------|-------|----------|
| 4,327,755 | A | * | 5/1982 | Endelson | | 132/324 |
| 4,881,560 | A | * | 11/1989 | Blank et al. | | 132/324 |
| D309,959 | S | * | 8/1990 | Endelson et al. | | D28/66 |
| 5,076,423 | A | * | 12/1991 | Russack | | 206/63.5 |
| D368,986 | S | * | 4/1996 | Haber et al. | | D28/66 |
| 5,649,659 | A | * | 7/1997 | Saunders | | 225/39 |
| 5,678,580 | A | * | 10/1997 | Sherman | | 132/324 |

1 Claim, 4 Drawing Sheets



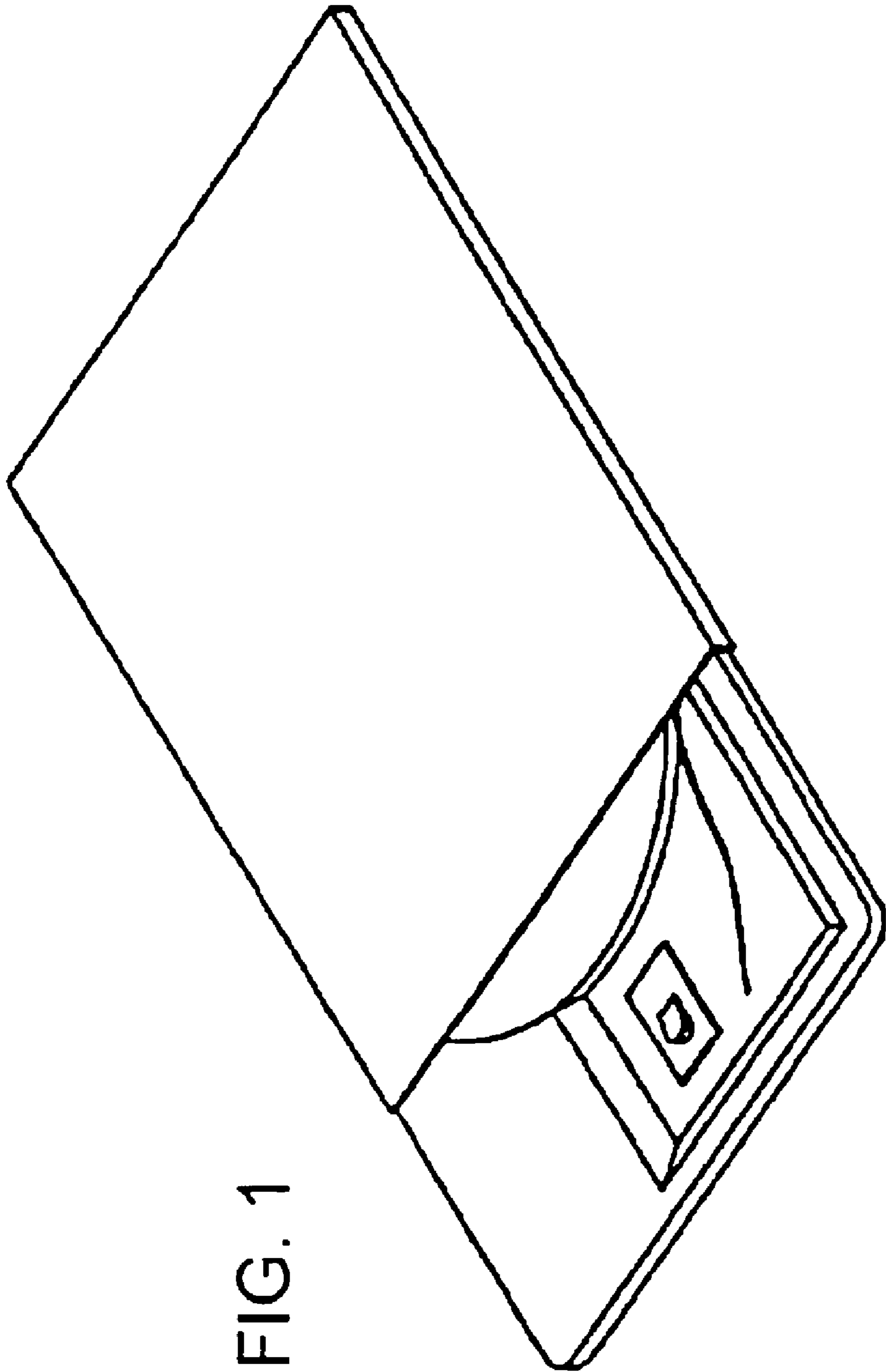


FIG. 1

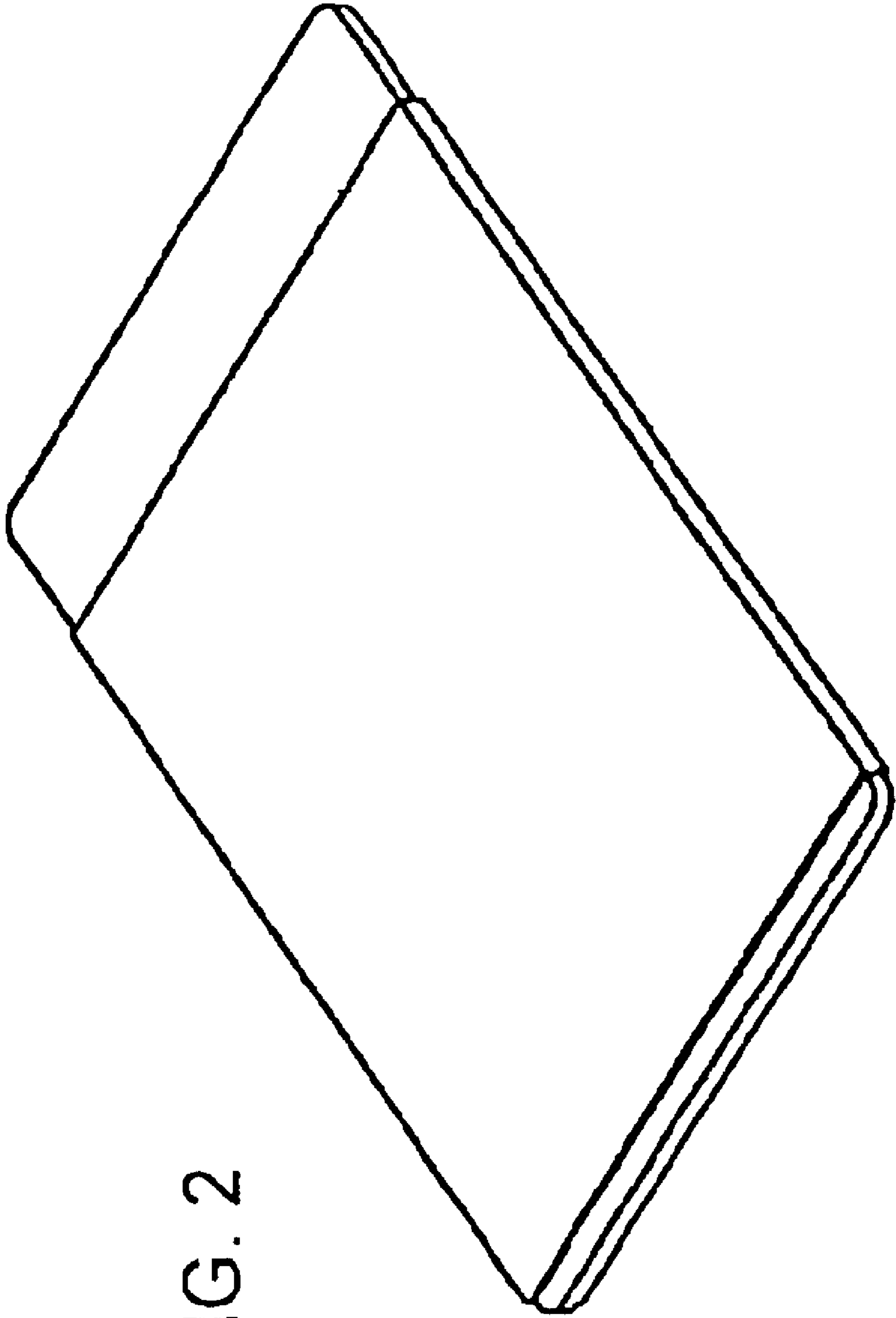


FIG. 2

FIG. 3

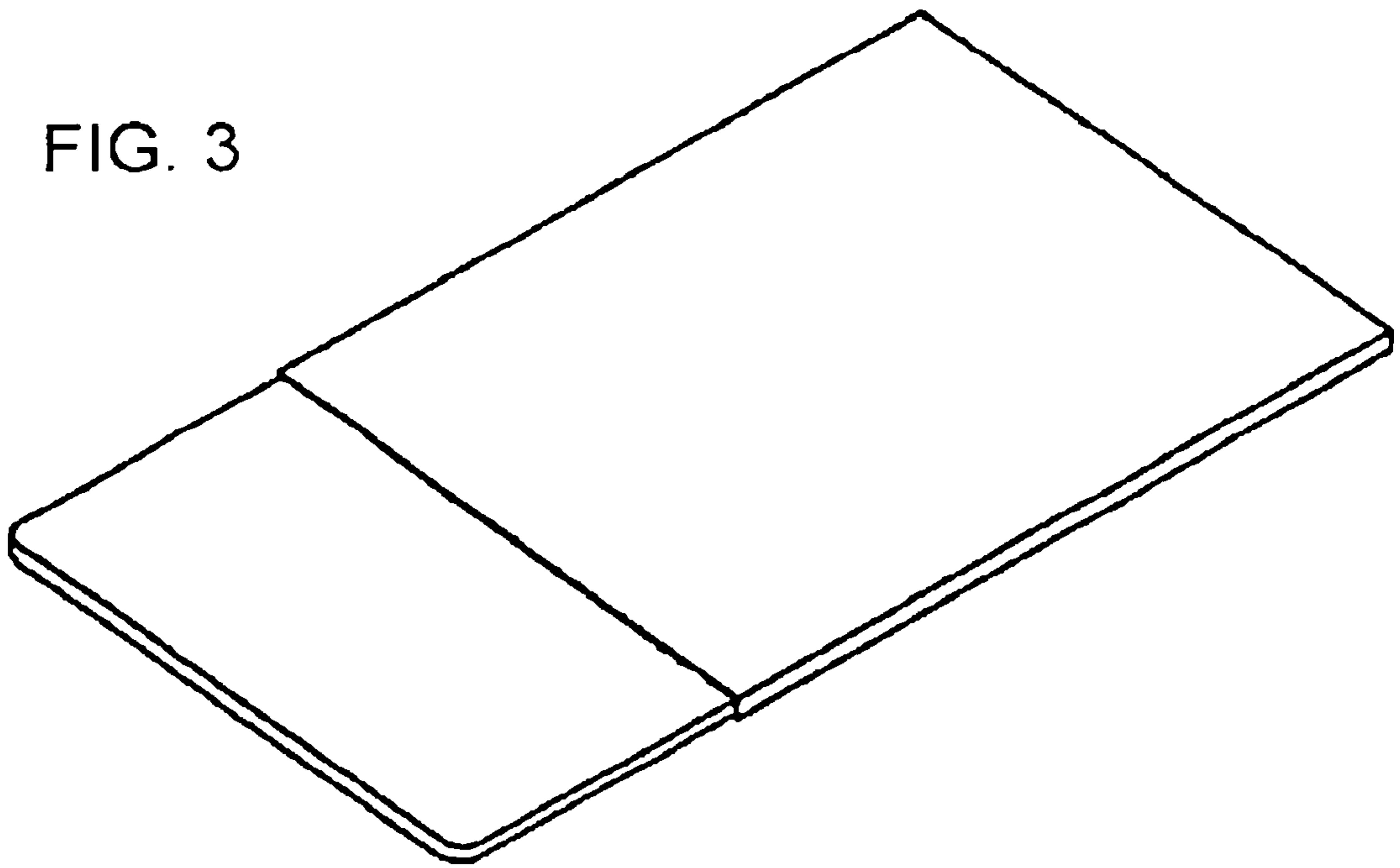


FIG. 4

