



US00D491310S

(12) **United States Design Patent**
Glucksman et al.

(10) **Patent No.:** **US D491,310 S**

(45) **Date of Patent:** **** Jun. 8, 2004**

(54) **HAIR WRAPPING DEVICE**

6,662,808 B2 * 12/2003 Leason et al. 132/212

(75) Inventors: **Dov Z. Glucksman**, Wenham, MA
(US); **Laura J. Nickerson**, Andover,
MA (US)

* cited by examiner

Primary Examiner—Jennifer Rivard
(74) *Attorney, Agent, or Firm*—George A. Herbster

(73) Assignee: **Appliance Development Corporation**,
Danvers, MA (US)

(57) **CLAIM**

(**) Term: **14 Years**

The ornamental design for a hair wrapping device, as shown and described.

(21) Appl. No.: **29/182,673**

DESCRIPTION

(22) Filed: **May 30, 2003**

FIG. 1 is a perspective view of a hair wrapping device showing our new design;

(51) **LOC (7) Cl.** **28-03**

FIG. 2 is a front elevation view of the hair wrapping device shown in FIG. 1;

(52) **U.S. Cl.** **D28/35**

FIG. 3 is a rear elevation view of the hair wrapping device shown in FIG. 1;

(58) **Field of Search** D28/35, 37, 38;
57/13; 132/212, 271

FIG. 4 is a right side elevation view of the hair wrapping device shown in FIG. 1;

(56) **References Cited**

U.S. PATENT DOCUMENTS

- D373,848 S * 9/1996 Path D28/35
- 5,671,759 A * 9/1997 Chung et al. 132/271
- 6,615,846 B1 * 9/2003 Leason et al. 132/212
- 6,637,441 B2 * 10/2003 Kennedy et al. 132/212

FIG. 5 is a left side elevation view of the hair wrapping device shown in FIG. 1;

FIG. 6 is a top plan view of the hair wrapping device shown in FIG. 1; and,

FIG. 7 is a bottom plan view of the hair wrapping device shown in FIG. 1.

1 Claim, 4 Drawing Sheets

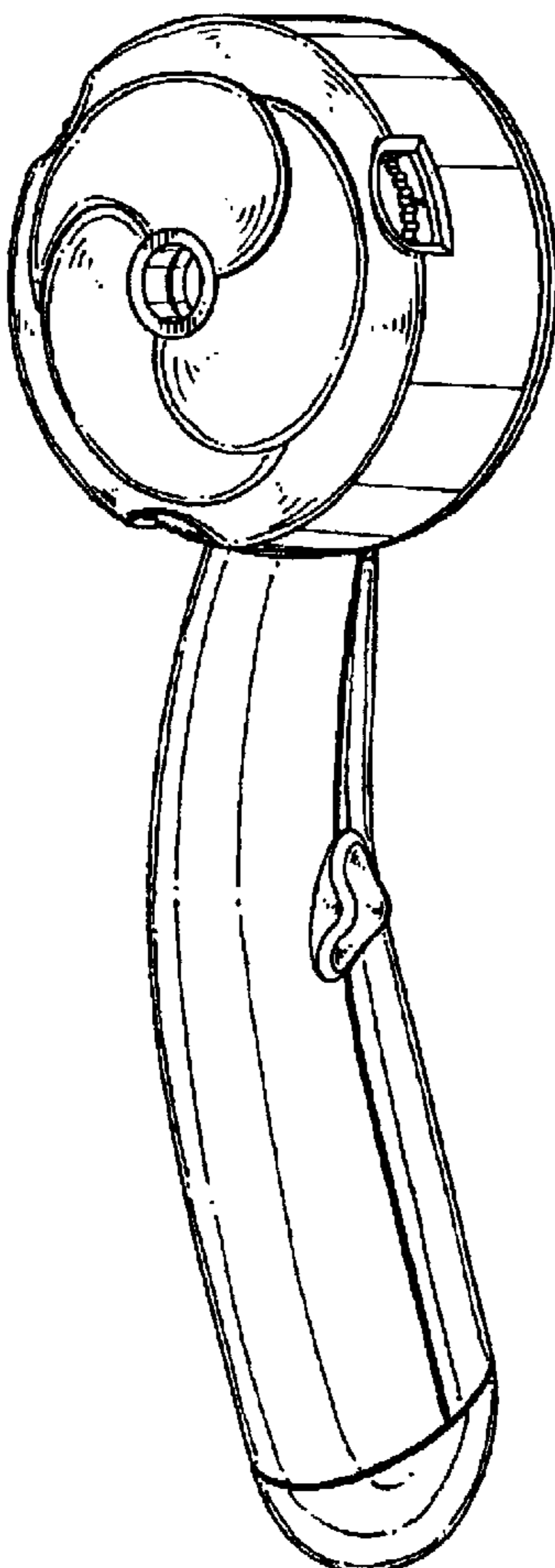




FIG. 1

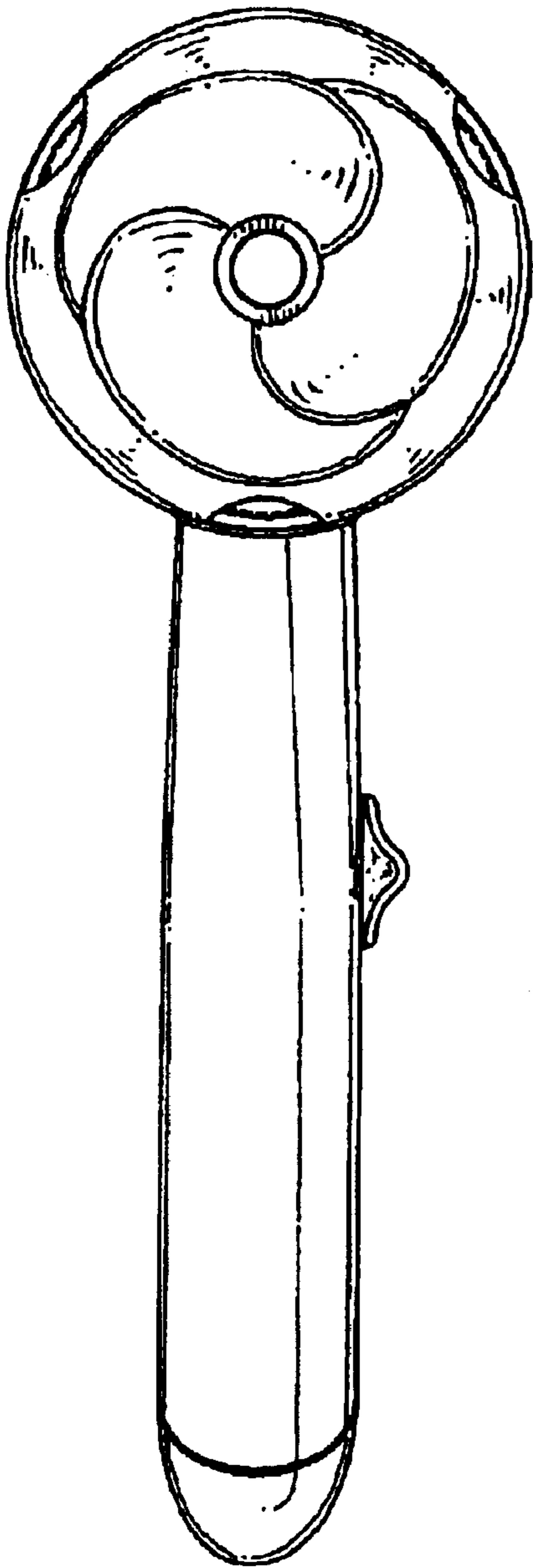


FIG. 2

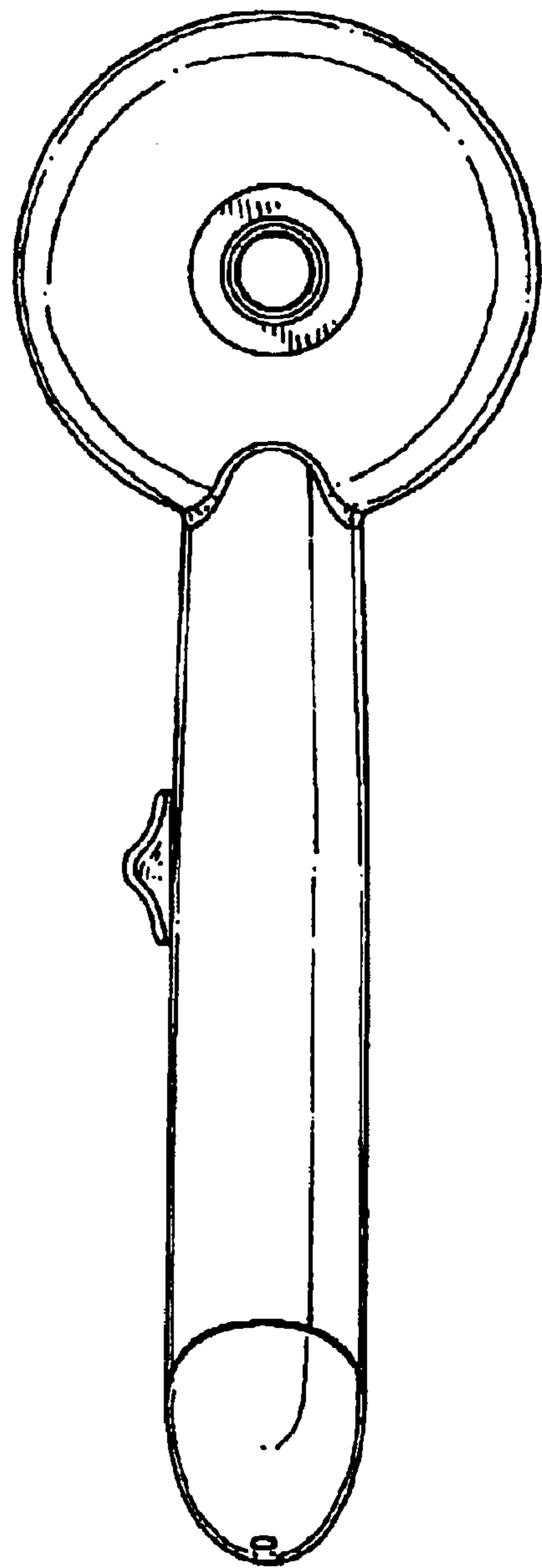


FIG. 3

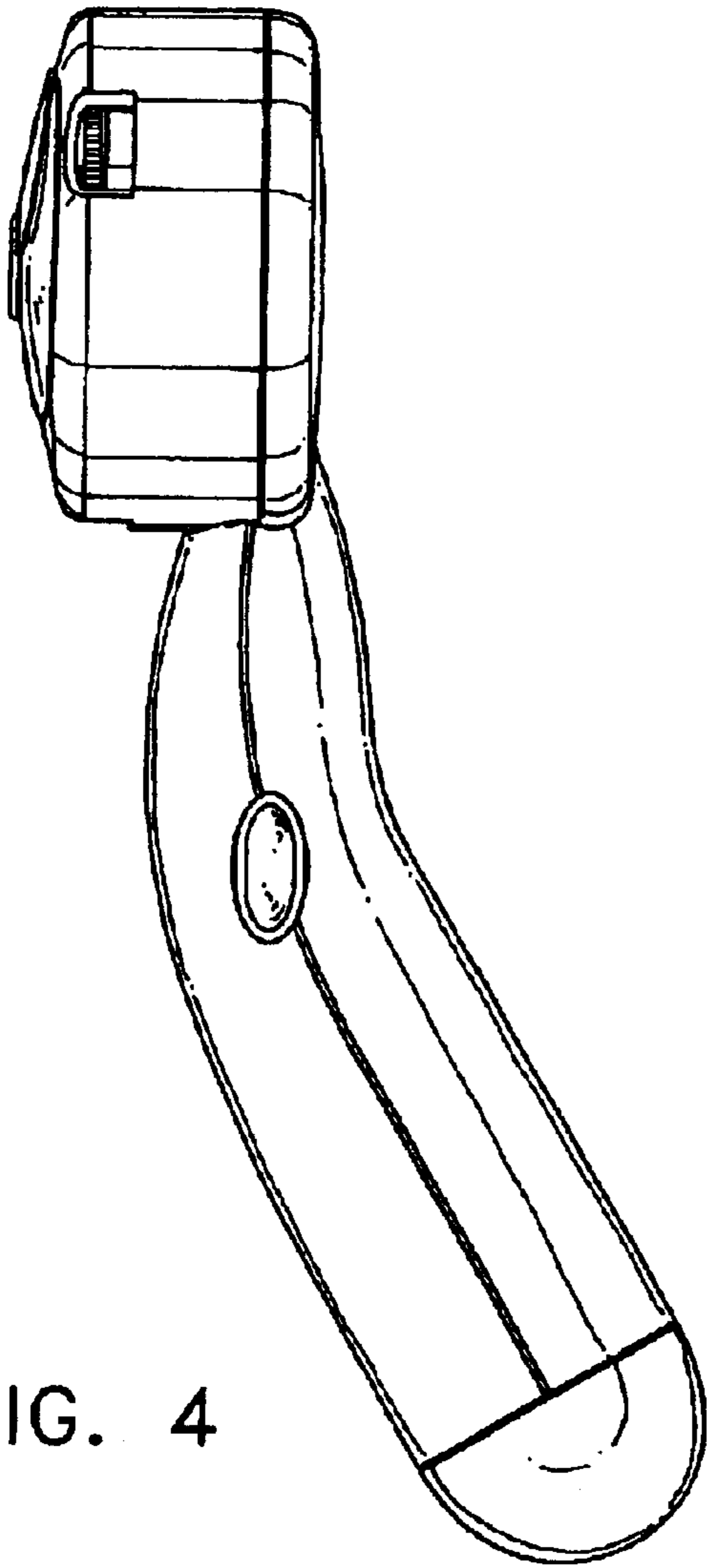


FIG. 4

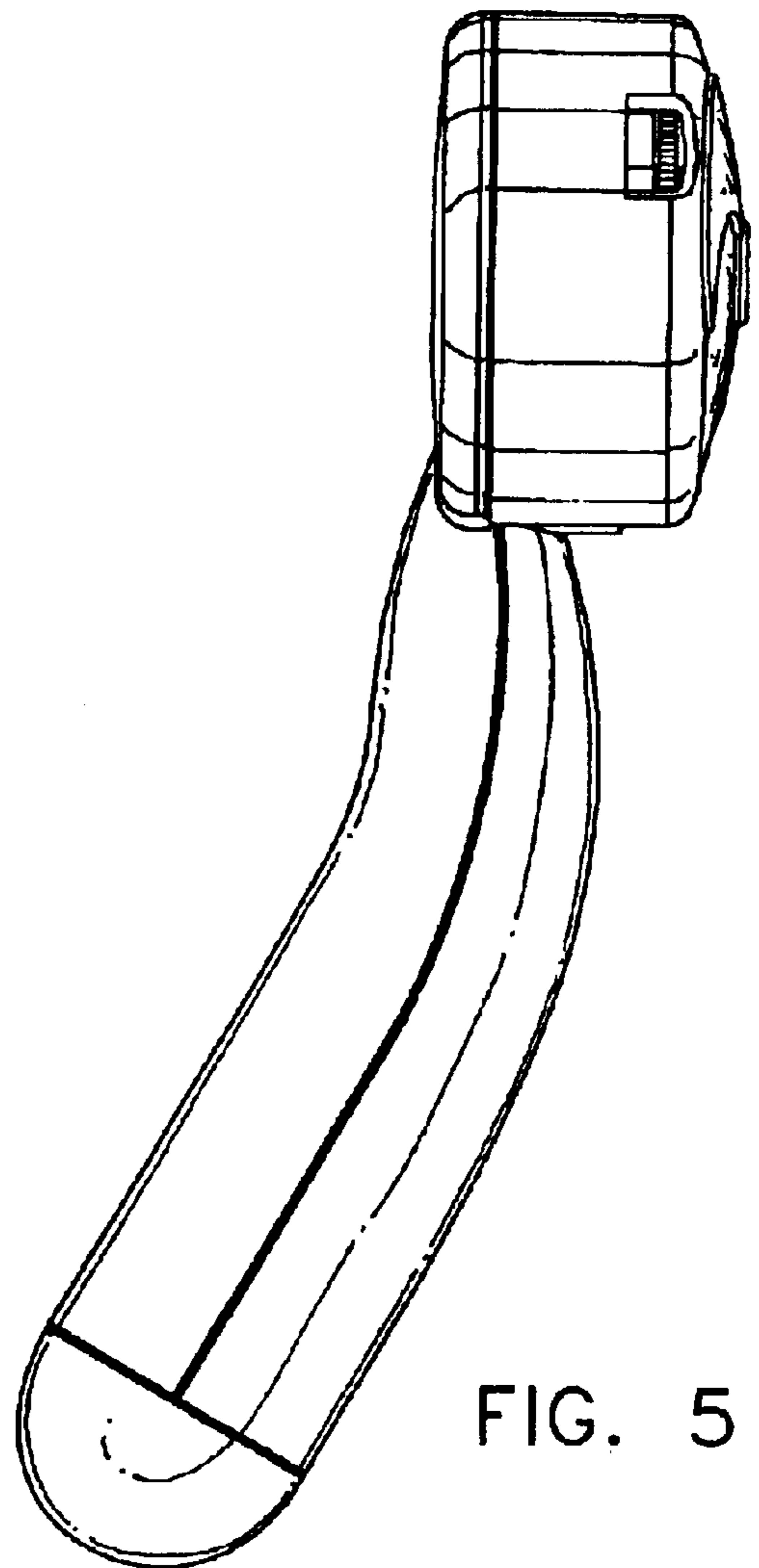


FIG. 5

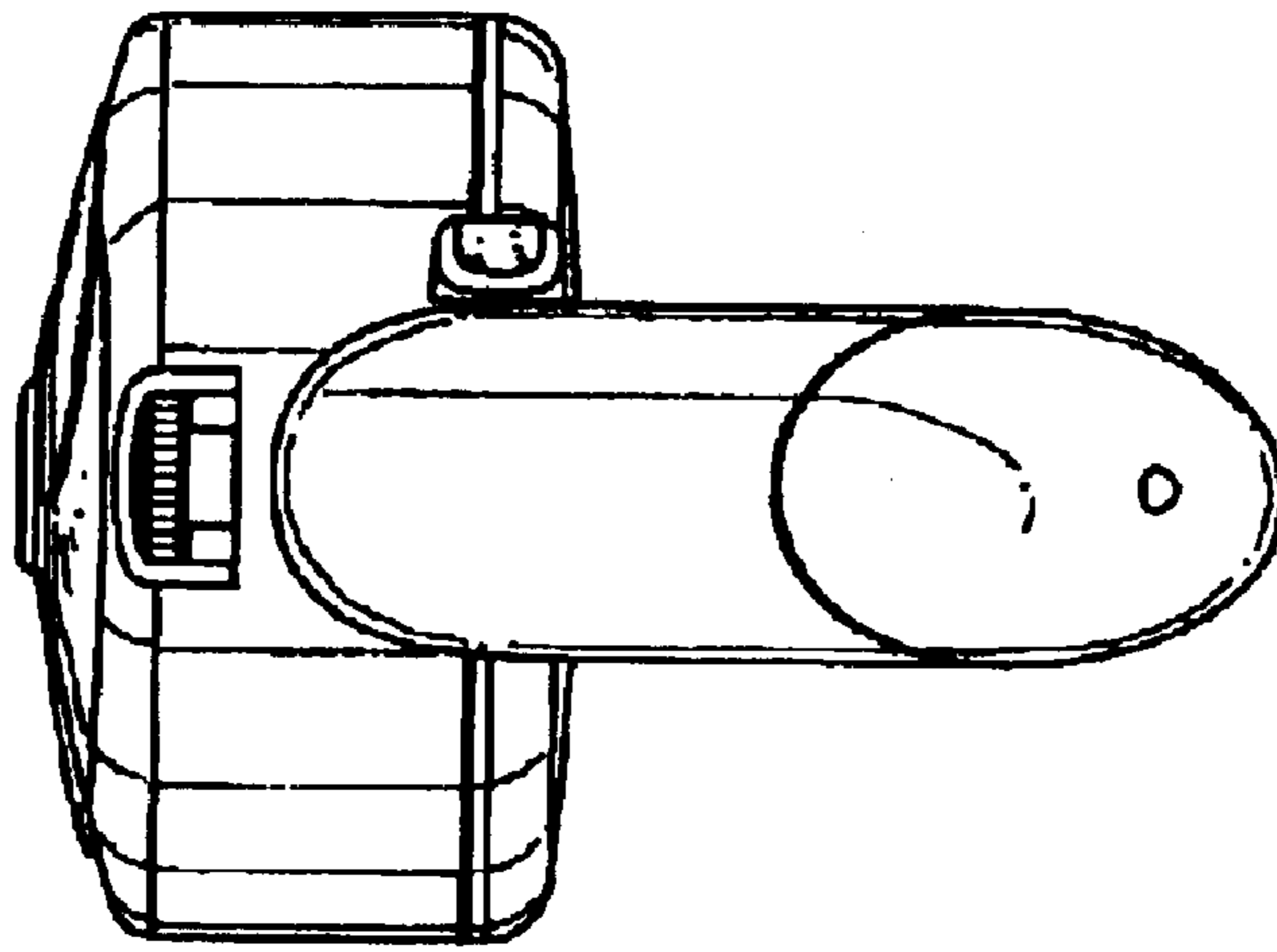


FIG. 6

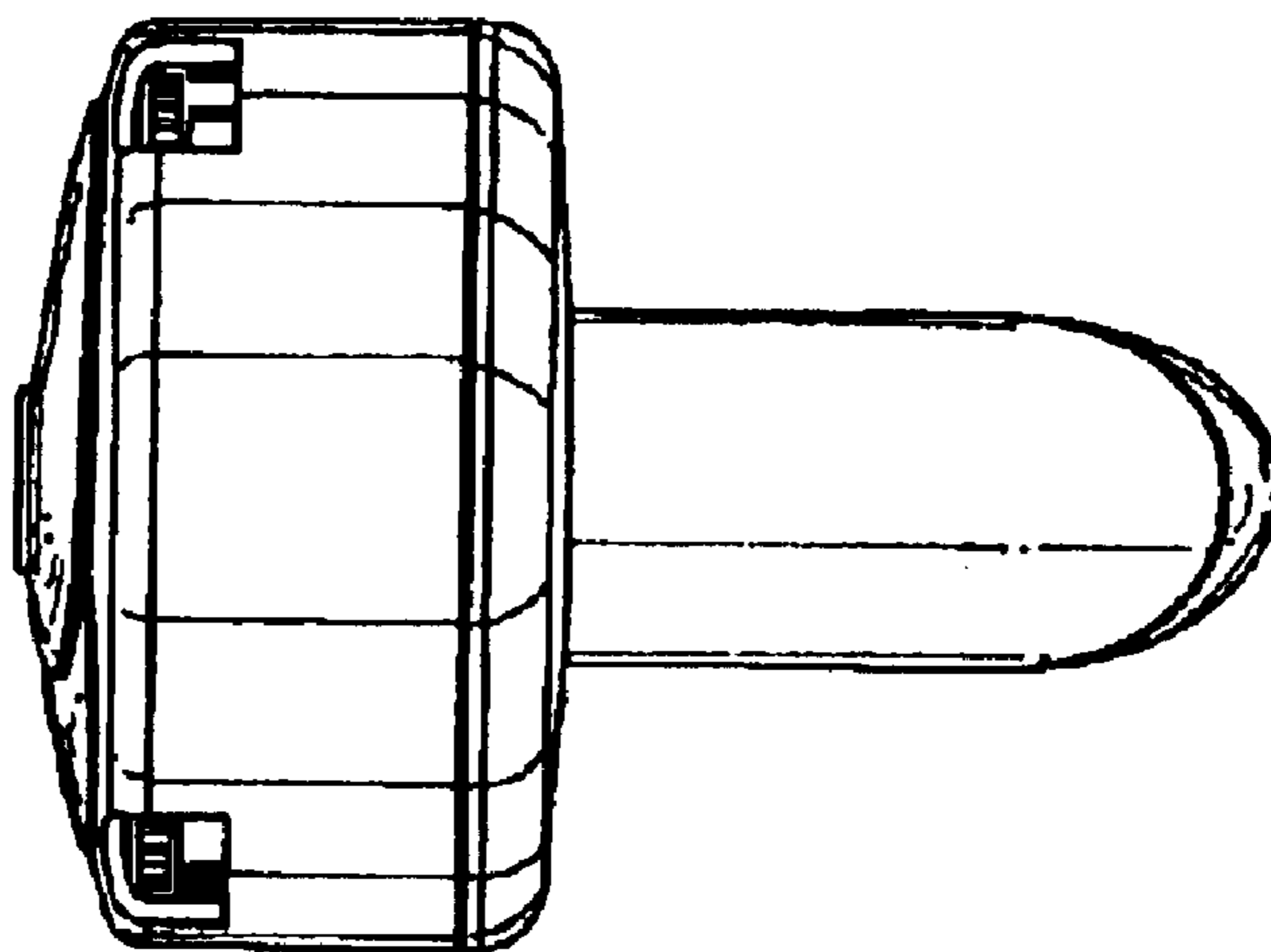


FIG. 7