



US00D491307S

(12) **United States Design Patent**  
**Curtin**

(10) **Patent No.:** **US D491,307 S**

(45) **Date of Patent:** **\*\* Jun. 8, 2004**

(54) **LIGHTING FIXTURE**

(76) **Inventor:** **Brett Curtin**, 4301 E. Evans Dr.,  
Phoenix, AZ (US) 85032

(\*\*) **Term:** **14 Years**

(21) **Appl. No.:** **29/188,648**

(22) **Filed:** **Aug. 21, 2003**

(51) **LOC (7) Cl.** ..... **26-03**

(52) **U.S. Cl.** ..... **D26/92**

(58) **Field of Search** ..... D26/24, 27, 59,  
D26/72, 79, 128, 131; 362/147, 404-408,  
432

(56) **References Cited**

**U.S. PATENT DOCUMENTS**

D316,912 S \* 5/1991 Choi ..... D26/87

D427,352 S \* 6/2000 Miranda ..... D26/72  
D439,362 S \* 3/2001 Berry ..... D26/87  
D465,300 S \* 11/2002 De'Armond ..... D26/129

\* cited by examiner

*Primary Examiner*—Clare E Heflin

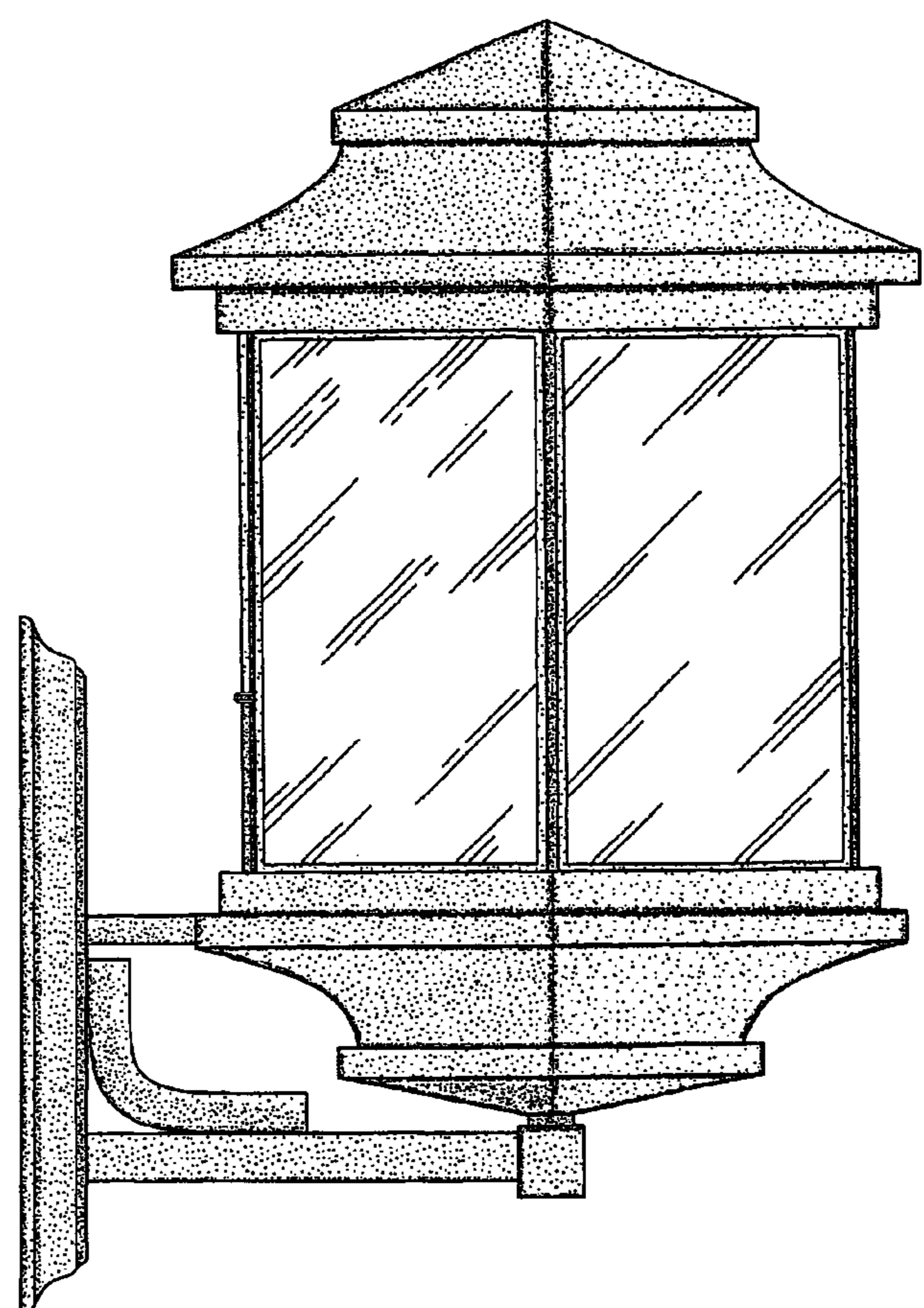
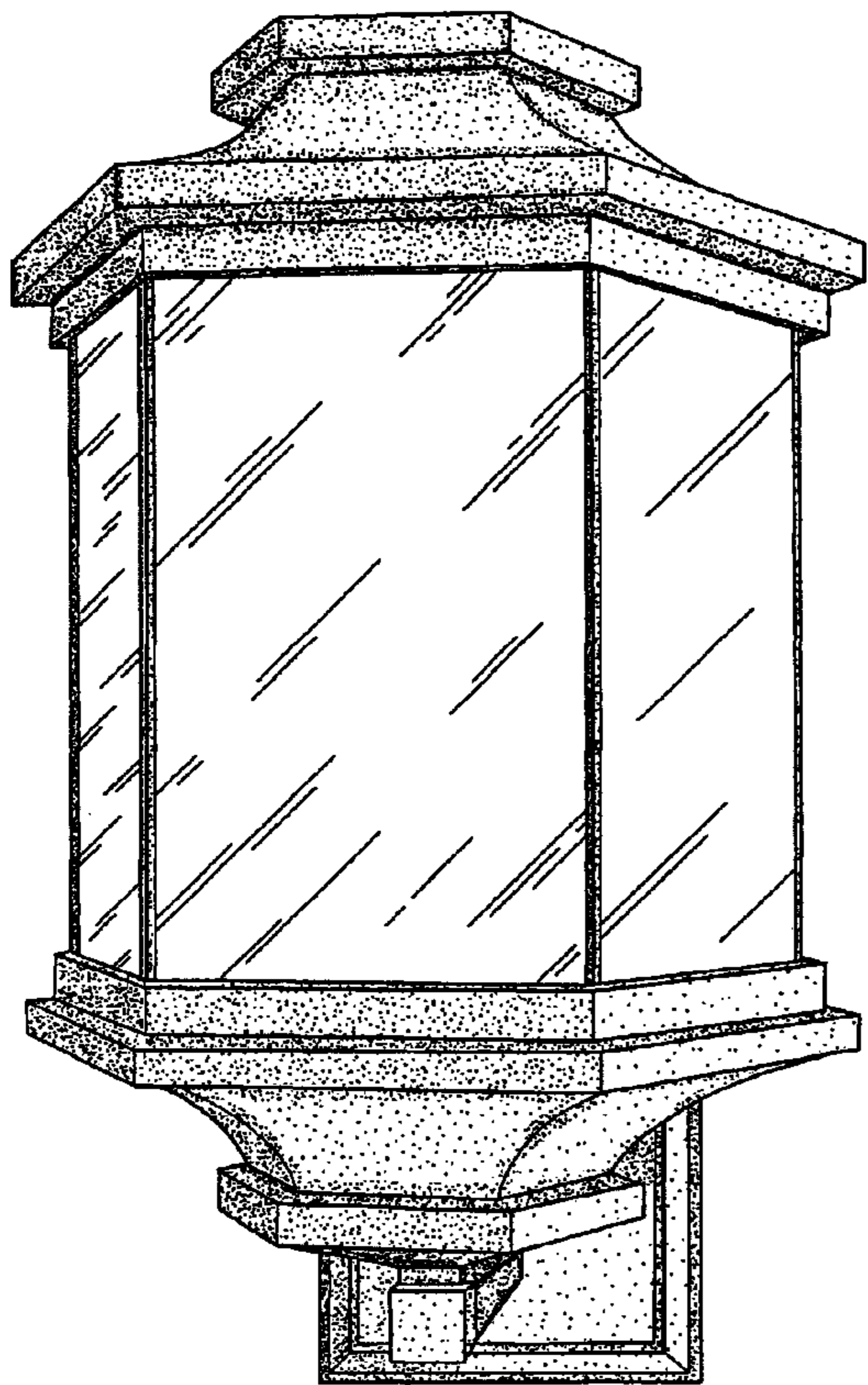
(57) **CLAIM**

The ornamental design for a lighting fixture, as shown and described.

**DESCRIPTION**

FIG. 1 is a perspective view thereof;  
FIG. 2 is a front view thereof;  
FIG. 3 is a right side view thereof;  
FIG. 4 is a left side view thereof;  
FIG. 5 is a top view thereof; and,  
FIG. 6 is a bottom view thereof.

**1 Claim, 6 Drawing Sheets**



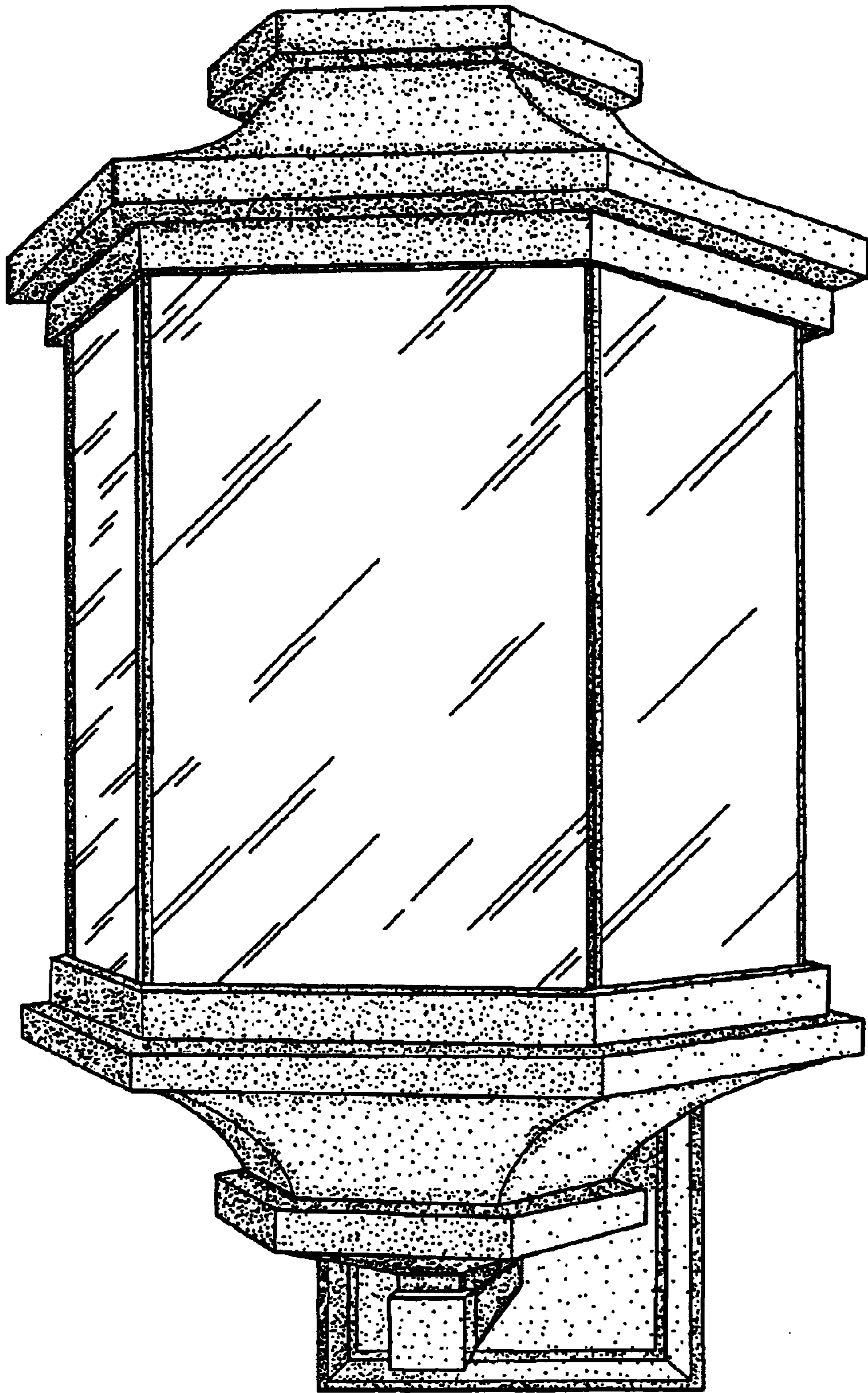


Fig. 1

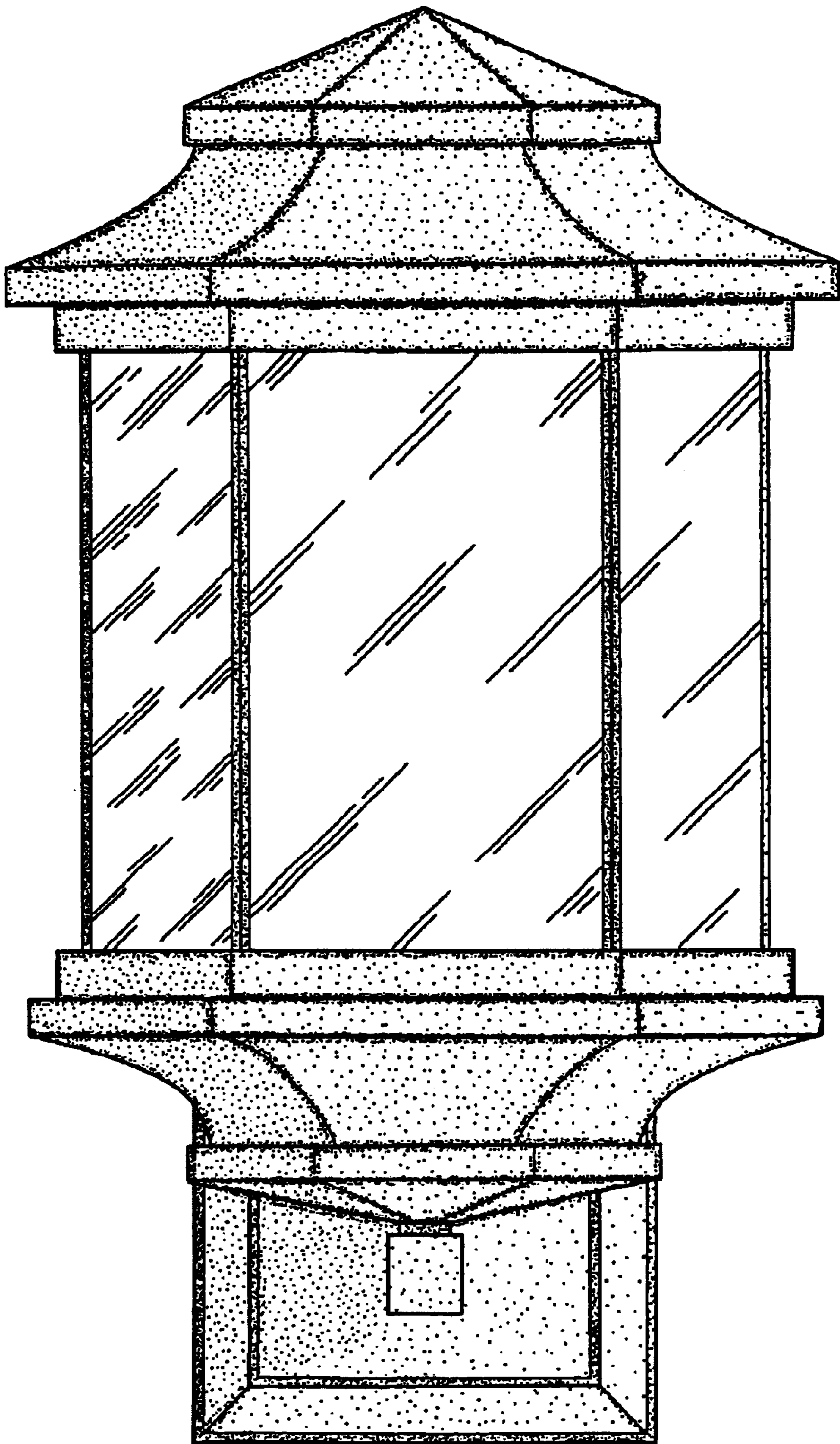


Fig. 2

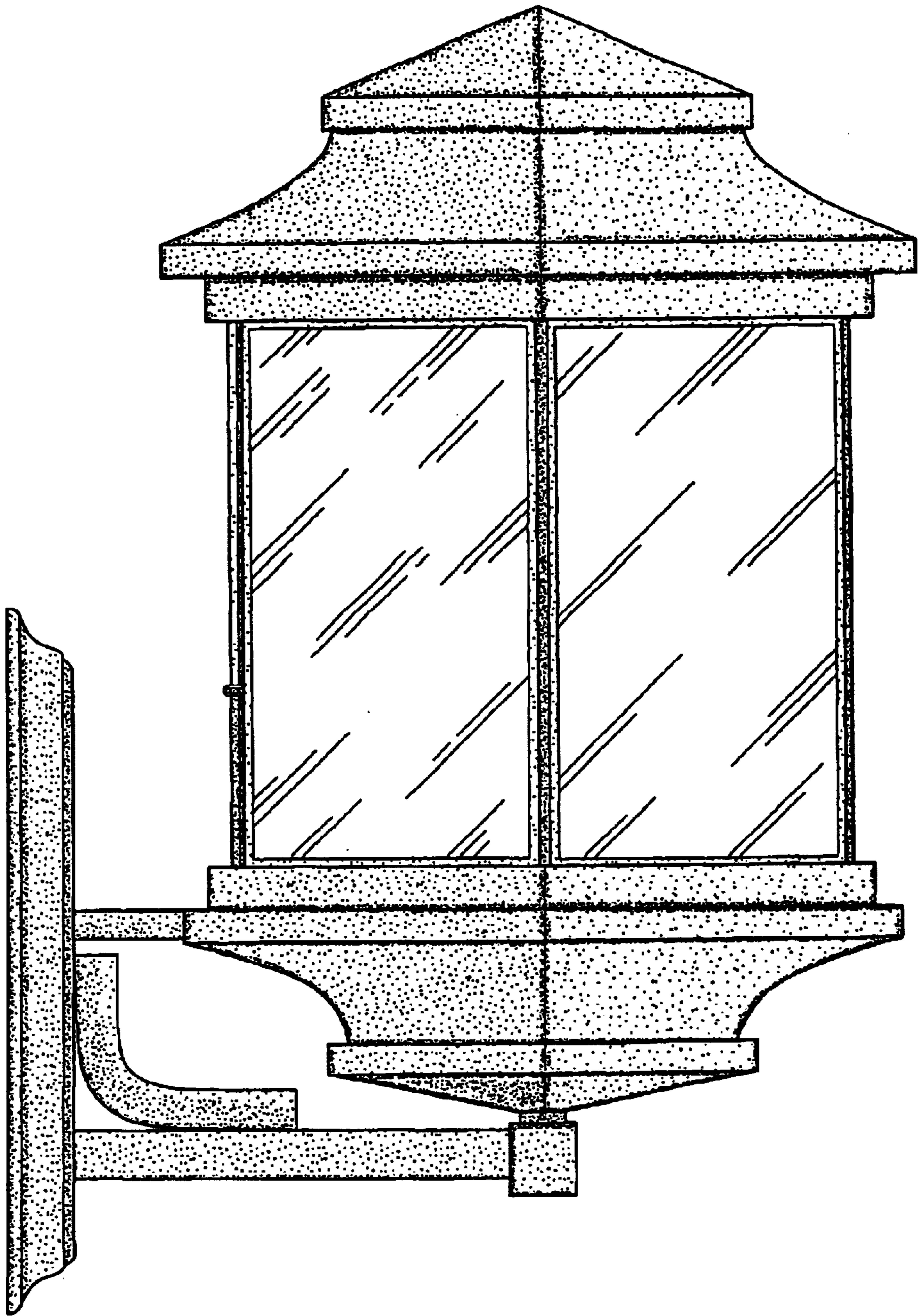


Fig. 3

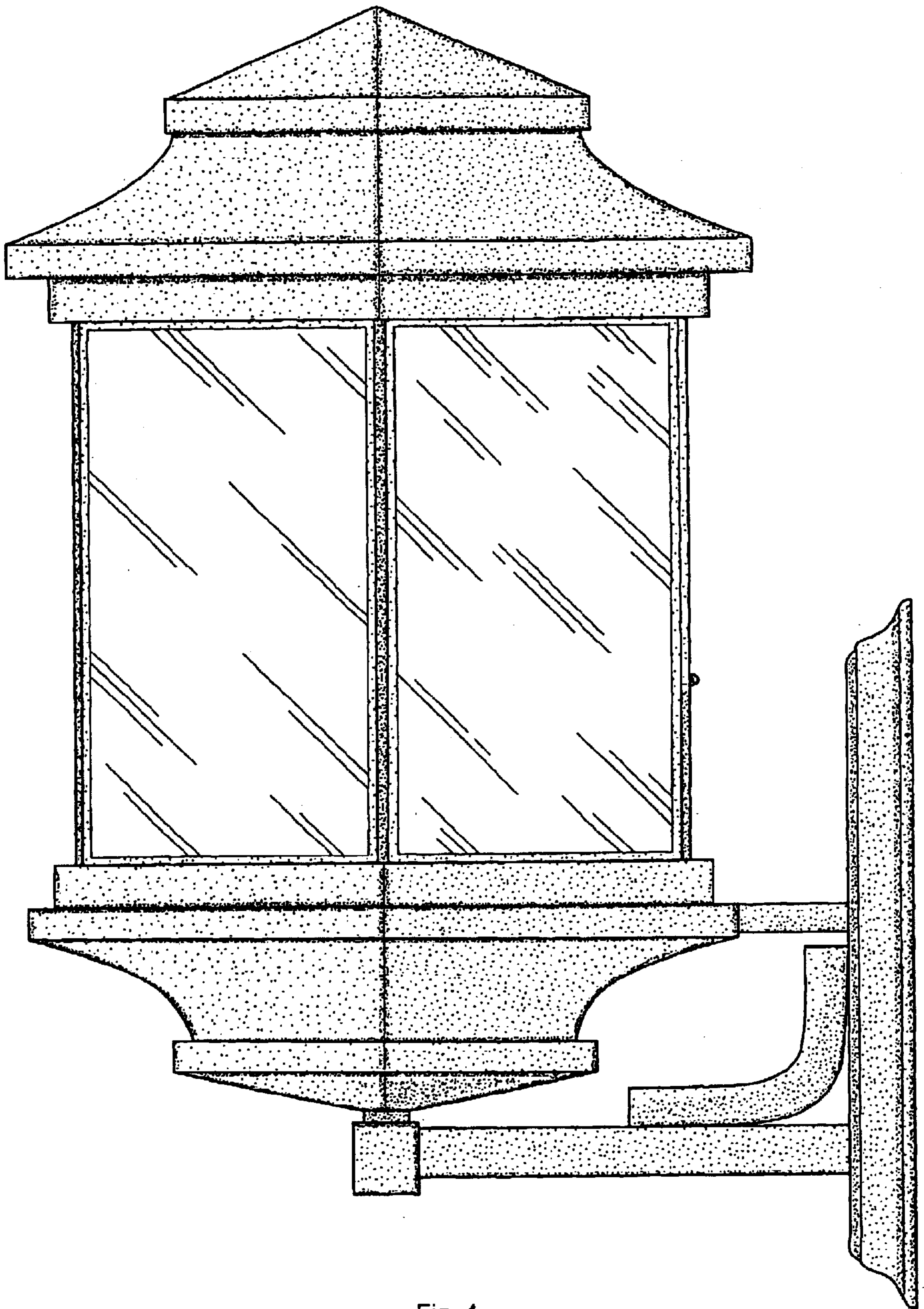


Fig. 4

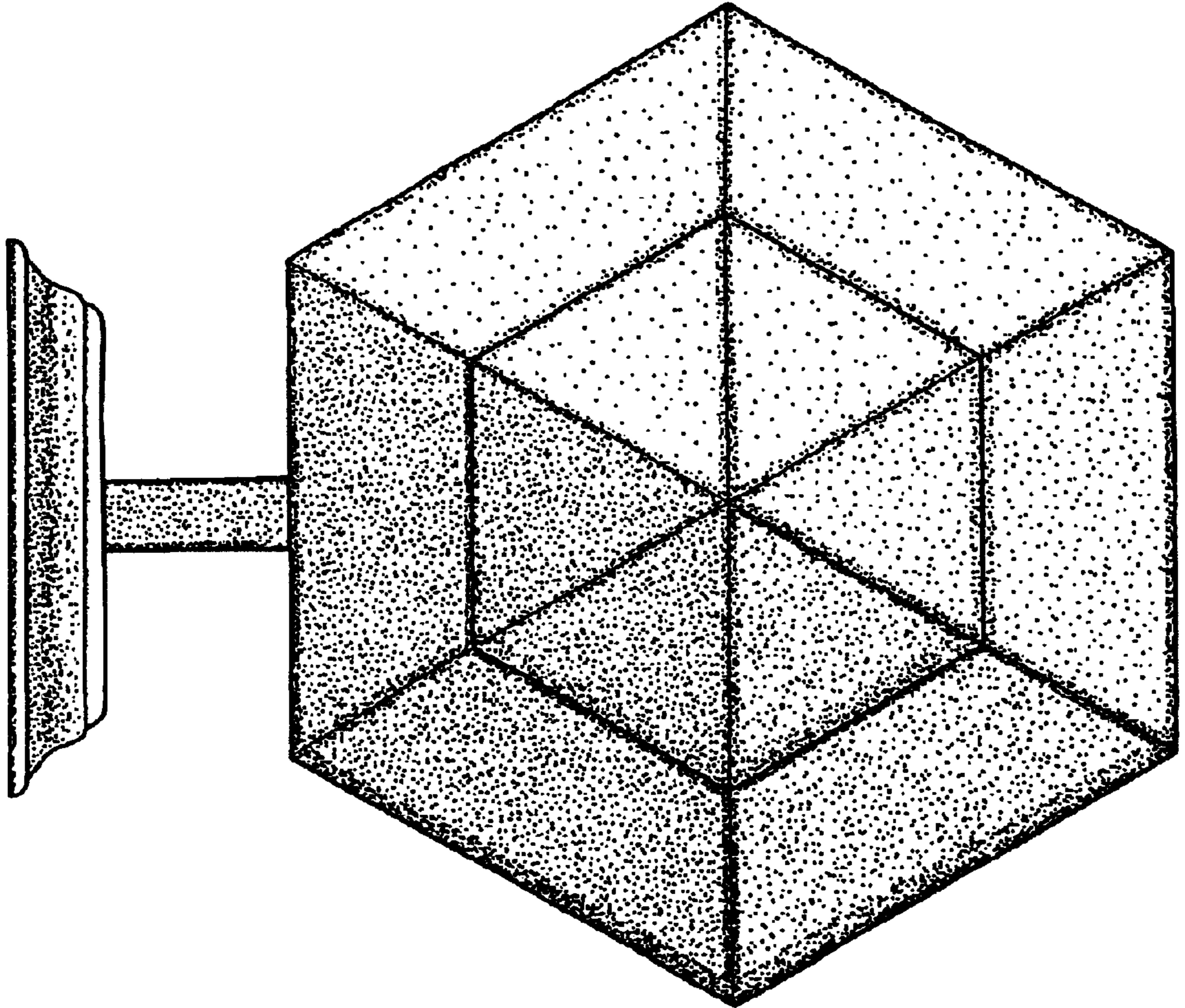


Fig. 5

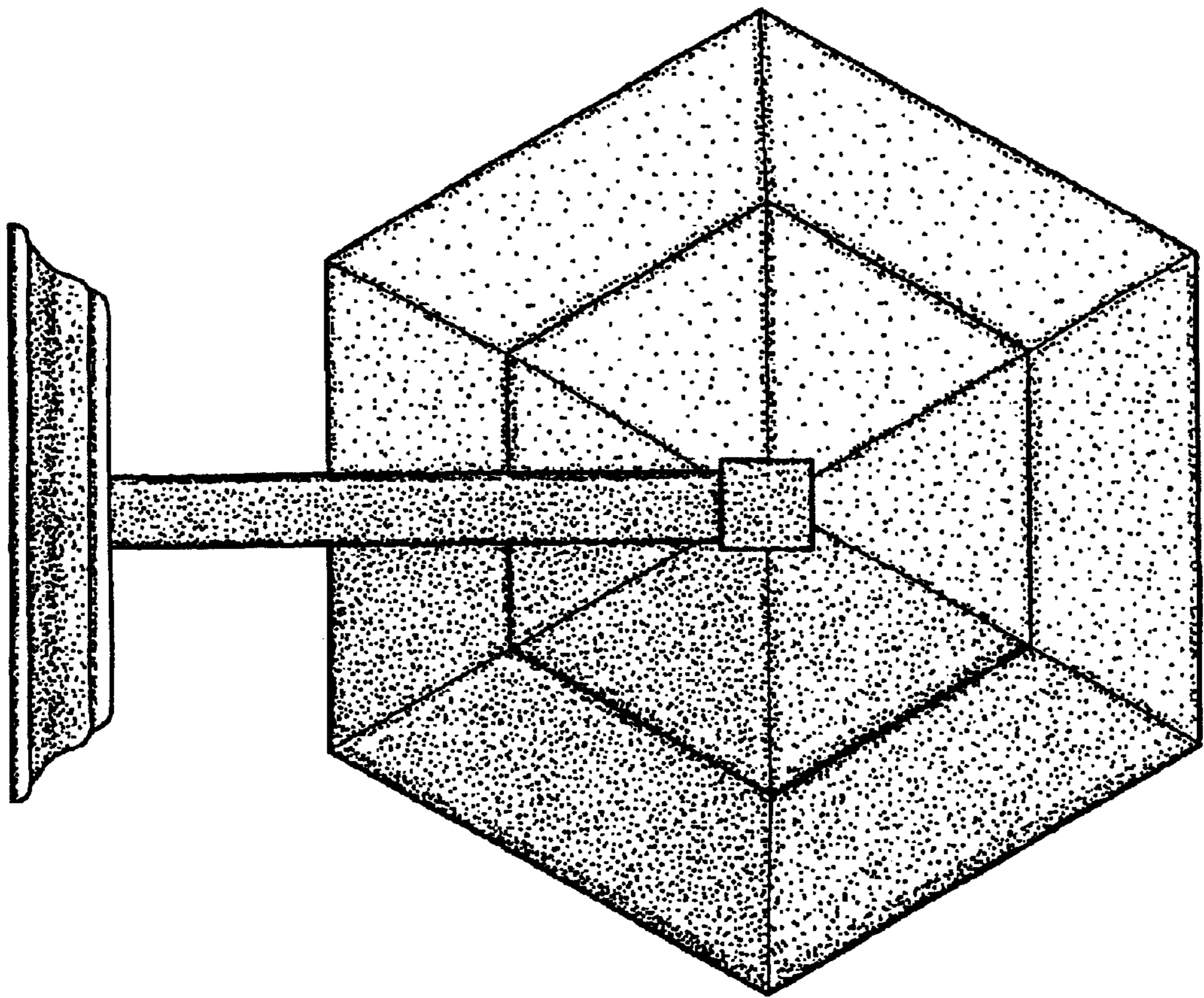


Fig. 6