



US00D491306S

(12) **United States Design Patent**
Zucker

(10) **Patent No.:** **US D491,306 S**

(45) **Date of Patent:** **** Jun. 8, 2004**

(54) **LUMINAIR**

(75) **Inventor:** **Ulrich Zucker, Ehringshausen (DE)**

(73) **Assignee:** **Trilux-Lenze GmbH & Co. KG, Arnsberg (DE)**

(**) **Term:** **14 Years**

(21) **Appl. No.:** **29/168,993**

(22) **Filed:** **Oct. 11, 2002**

(30) **Foreign Application Priority Data**

Apr. 12, 2002 (DE) 402 03 188

(51) **LOC (7) Cl.** **26-05**

(52) **U.S. Cl.** **D26/72**

(58) **Field of Search** D26/24, 72, 75-77,
D26/78; 362/147, 151, 133, 404, 217-223,
224, 225

(56) **References Cited**

U.S. PATENT DOCUMENTS

- 3,069,537 A * 12/1962 Dayton et al. 362/222
- 3,293,426 A * 12/1966 Zeitz et al. 362/221
- D311,596 S * 10/1990 Herst et al. D26/76
- D331,987 S * 12/1992 Dieperink et al. D26/109
- 5,331,526 A * 7/1994 Girot et al. 362/147

- D421,146 S * 2/2000 Poulton D26/76
- 6,161,939 A * 12/2000 Bansbach 362/223
- D446,333 S * 8/2001 Frois D26/76
- D452,030 S * 12/2001 Collver D26/76
- 6,386,723 B1 * 5/2002 Eberlein et al. 362/217
- D465,049 S * 10/2002 Ludwig D26/78
- D466,244 S * 11/2002 Lewis et al. D26/76
- D468,473 S * 1/2003 Shemitz et al. D26/76

* cited by examiner

Primary Examiner—Clare E. Heflin

(74) *Attorney, Agent, or Firm*—Grossman Tucker Perreault & Pflieger, PLLC

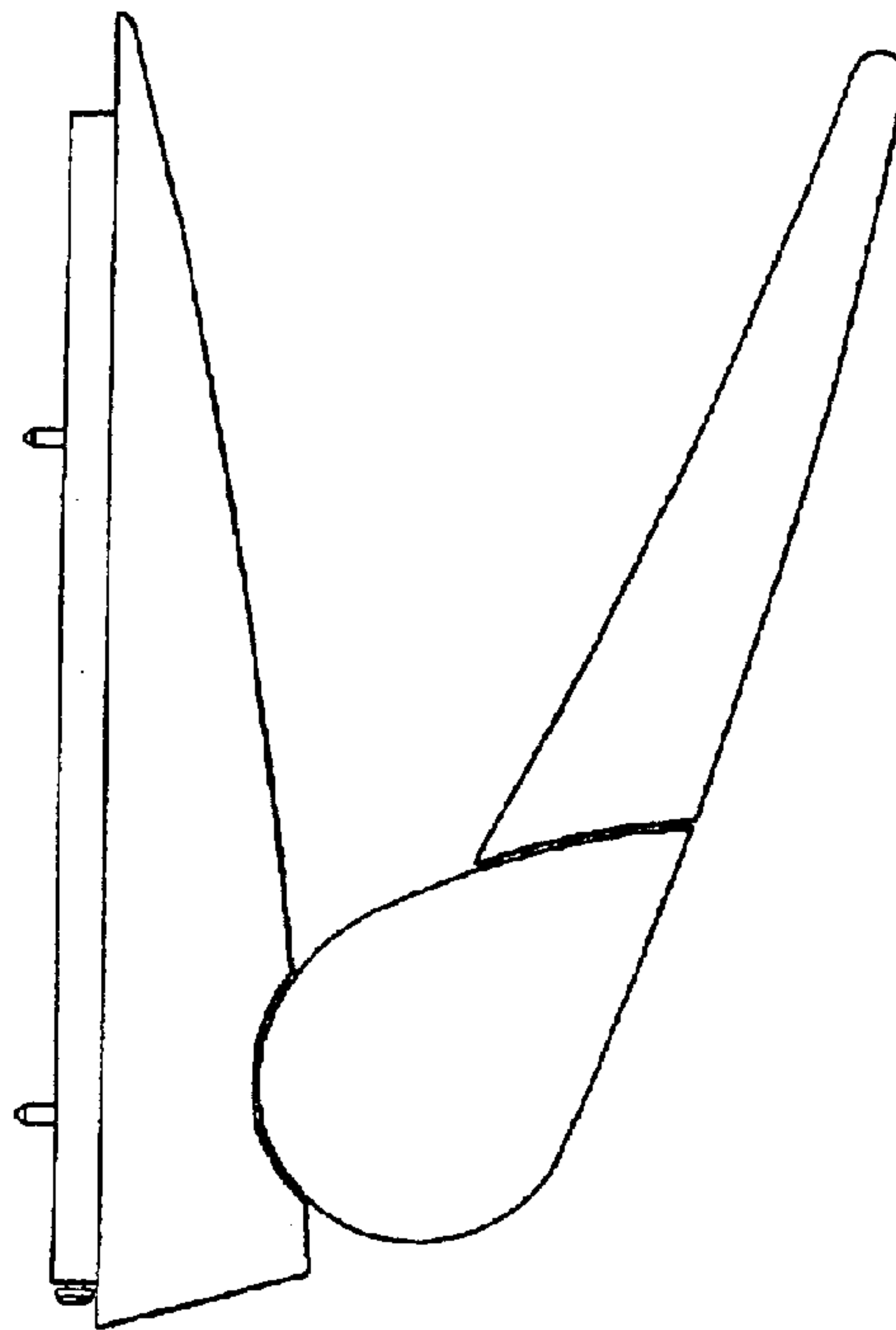
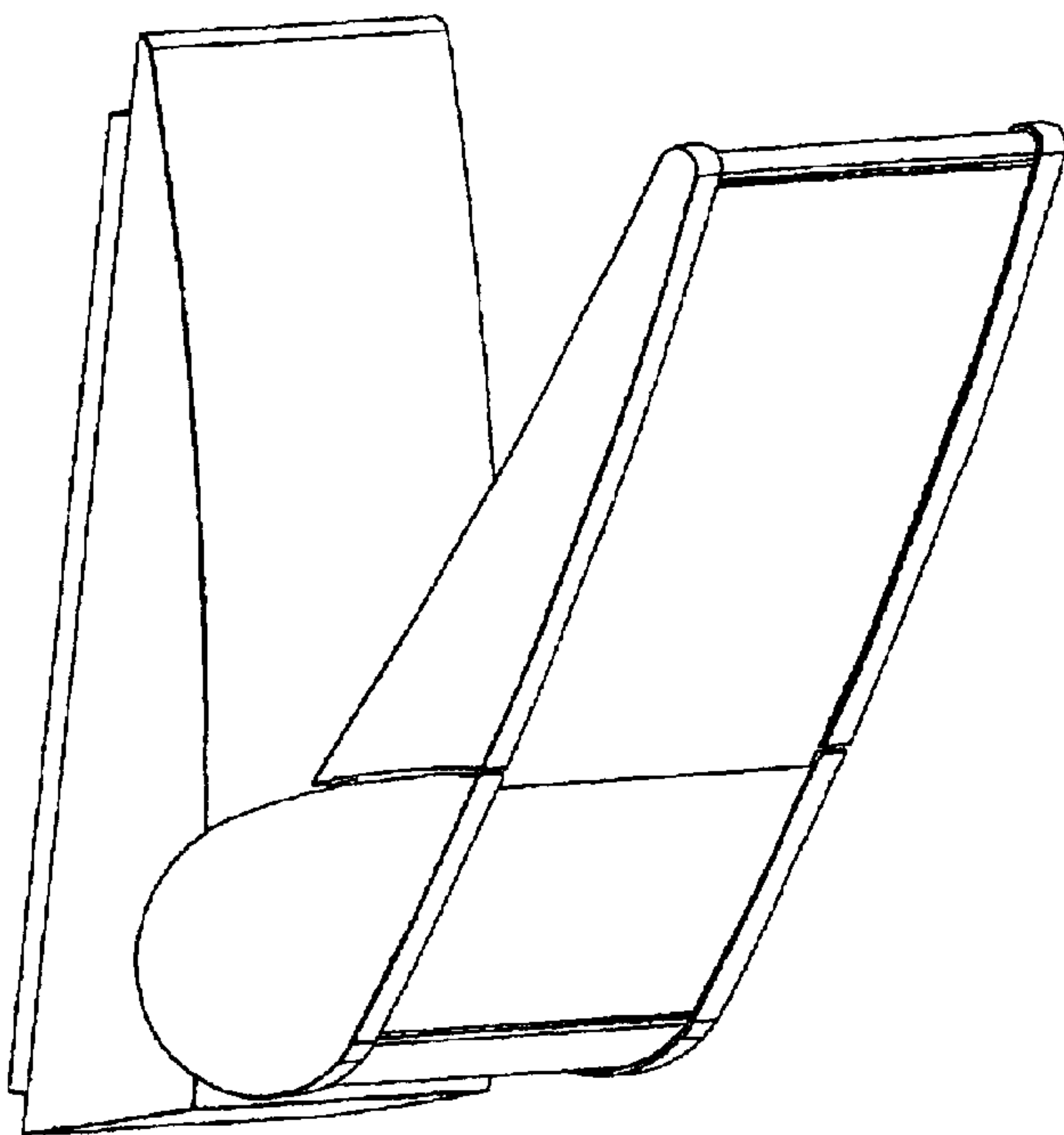
(57) **CLAIM**

The ornamental design for a luminaire, as shown and described.

DESCRIPTION

FIG. 1 is a perspective view of a first embodiment of a luminaire of the present invention;
 FIG. 2 is a bottom view of the luminaire of FIG. 1;
 FIG. 3 is a front view of the luminaire of FIG. 1;
 FIG. 4 is a top view of the luminaire of FIG. 1;
 FIG. 5 is a right side view of the luminaire of FIG. 1.
 FIG. 6 is a rear view of the luminaire of FIG. 1; and,
 FIG. 7 is a left side view of the luminaire of FIG. 1.

1 Claim, 3 Drawing Sheets



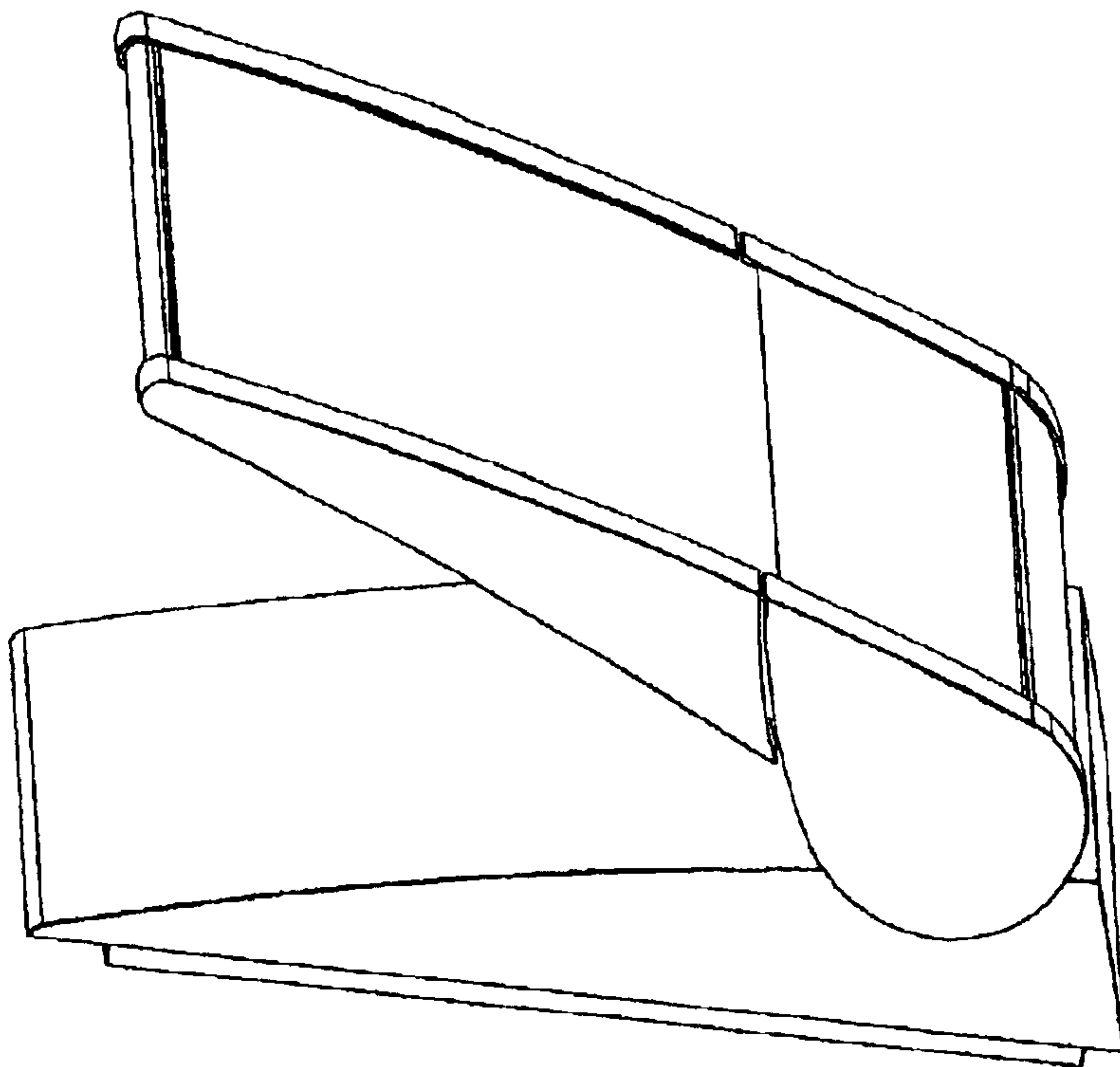


FIG. 1

FIG. 2

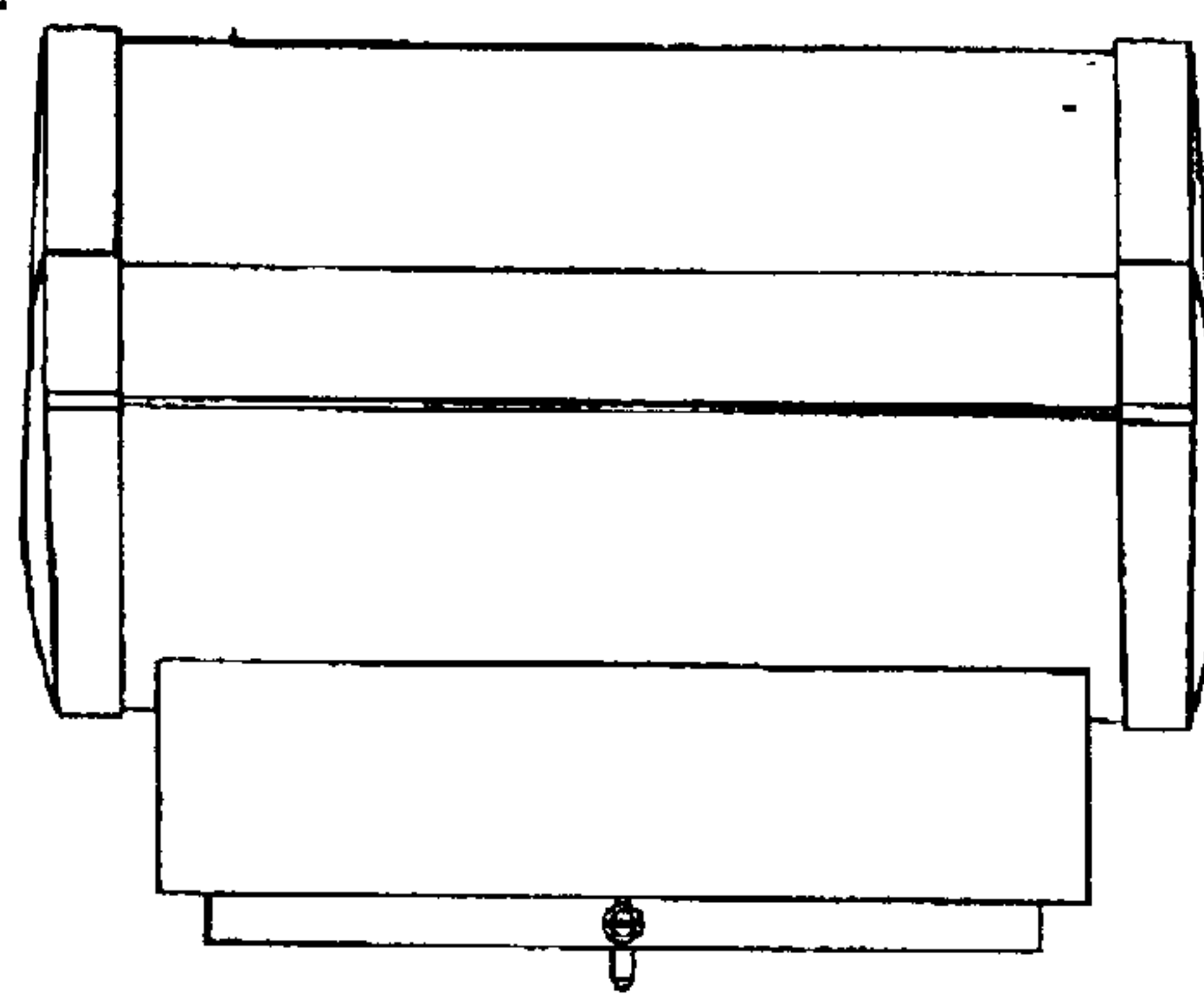


FIG. 3

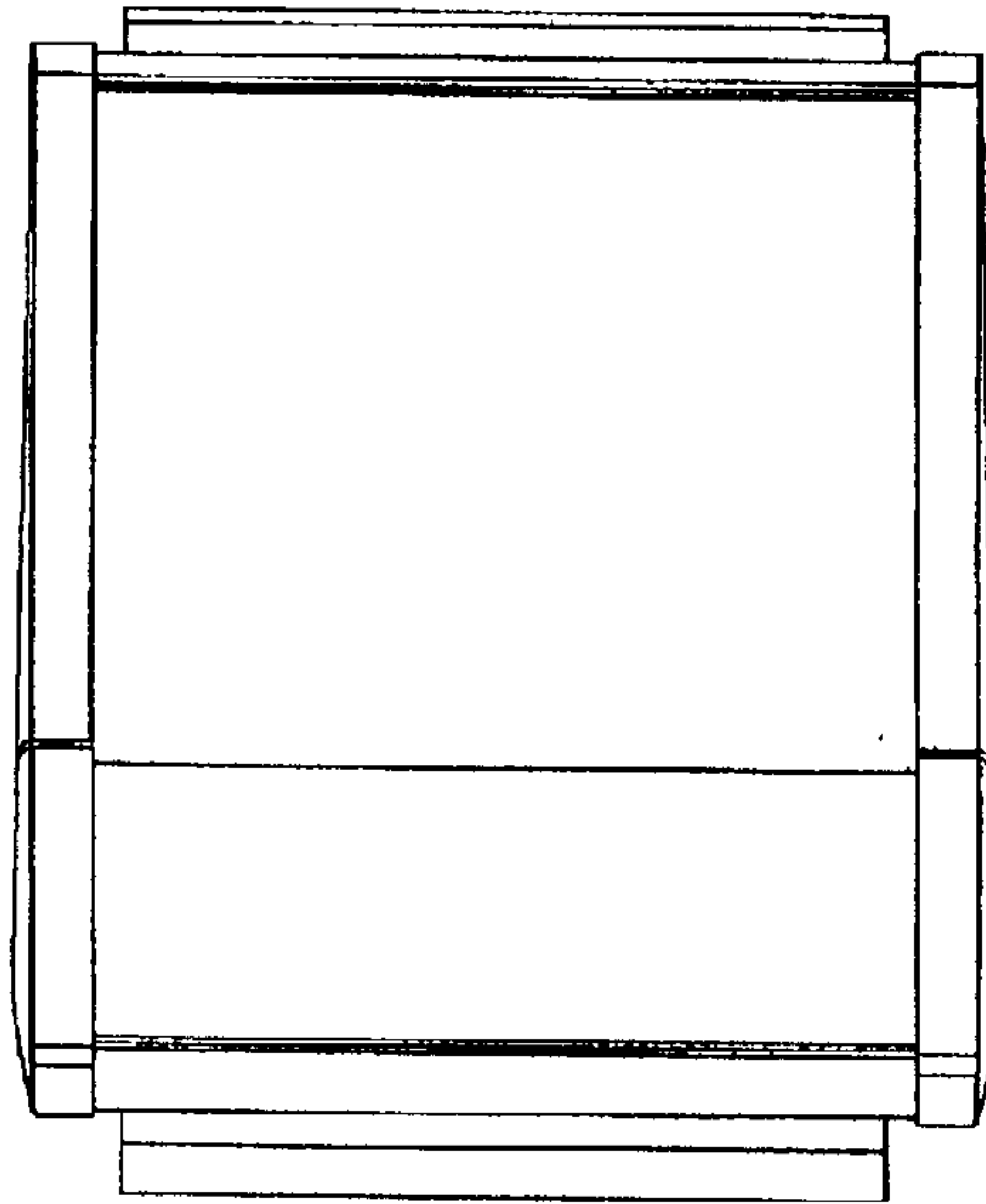
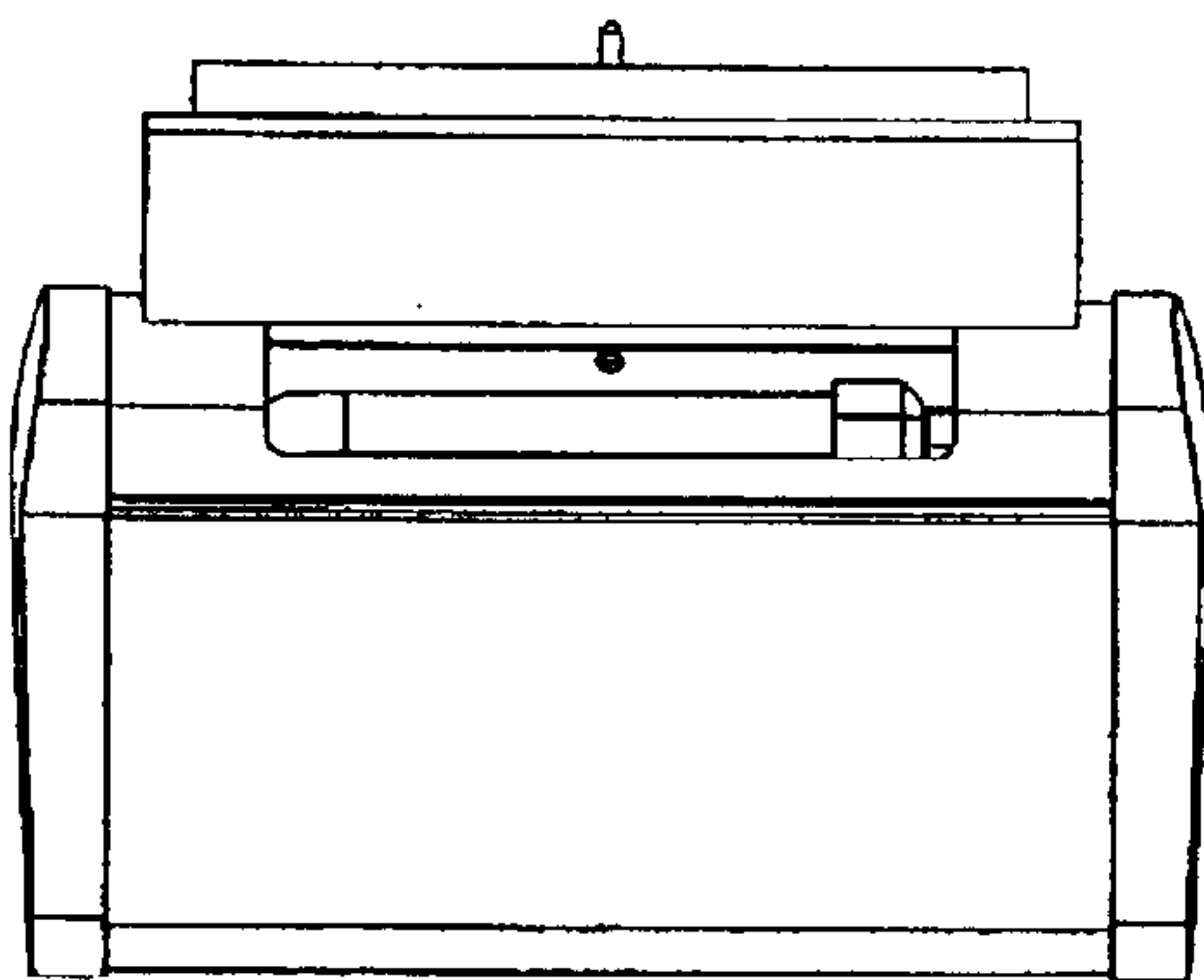


FIG. 4



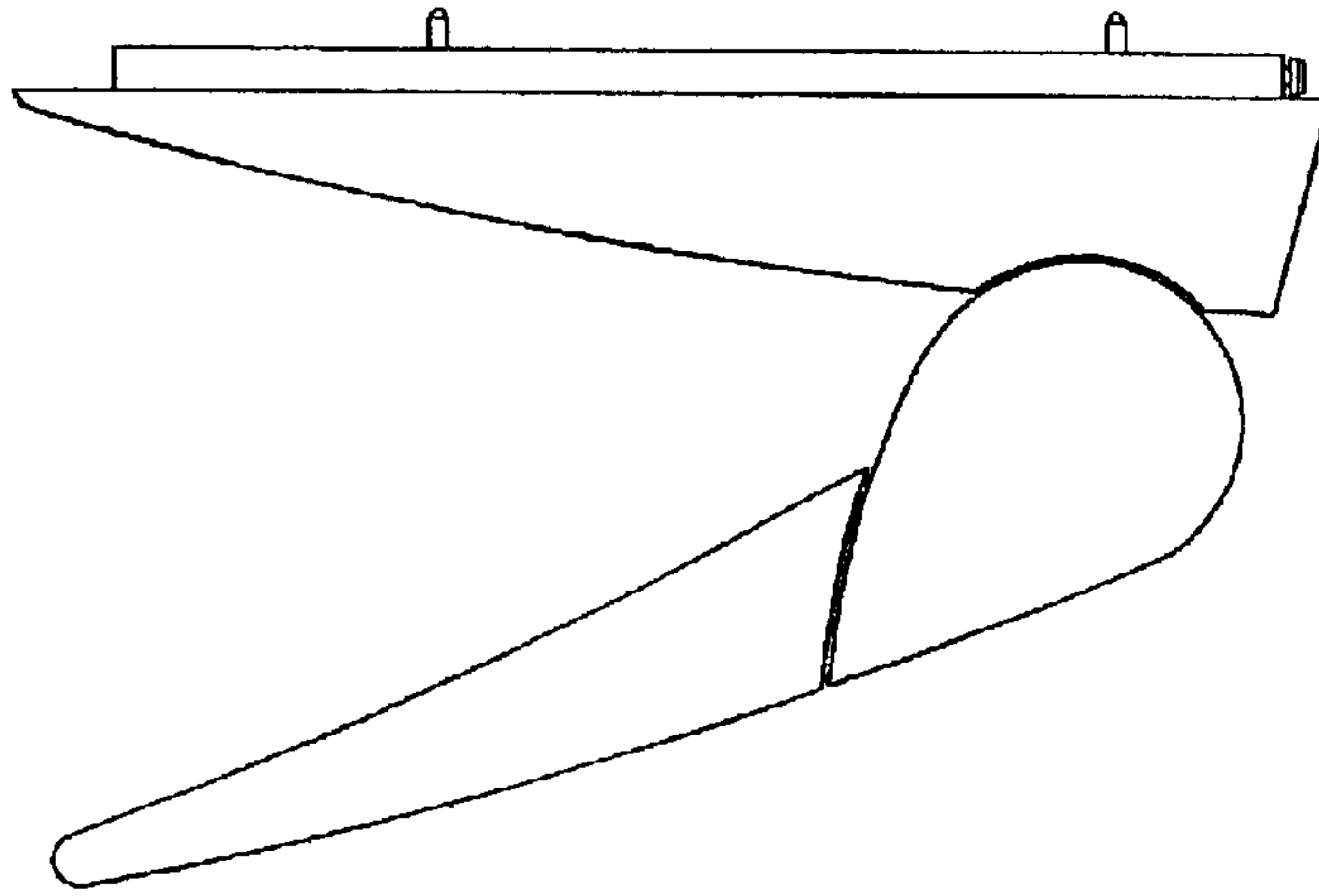


FIG. 5

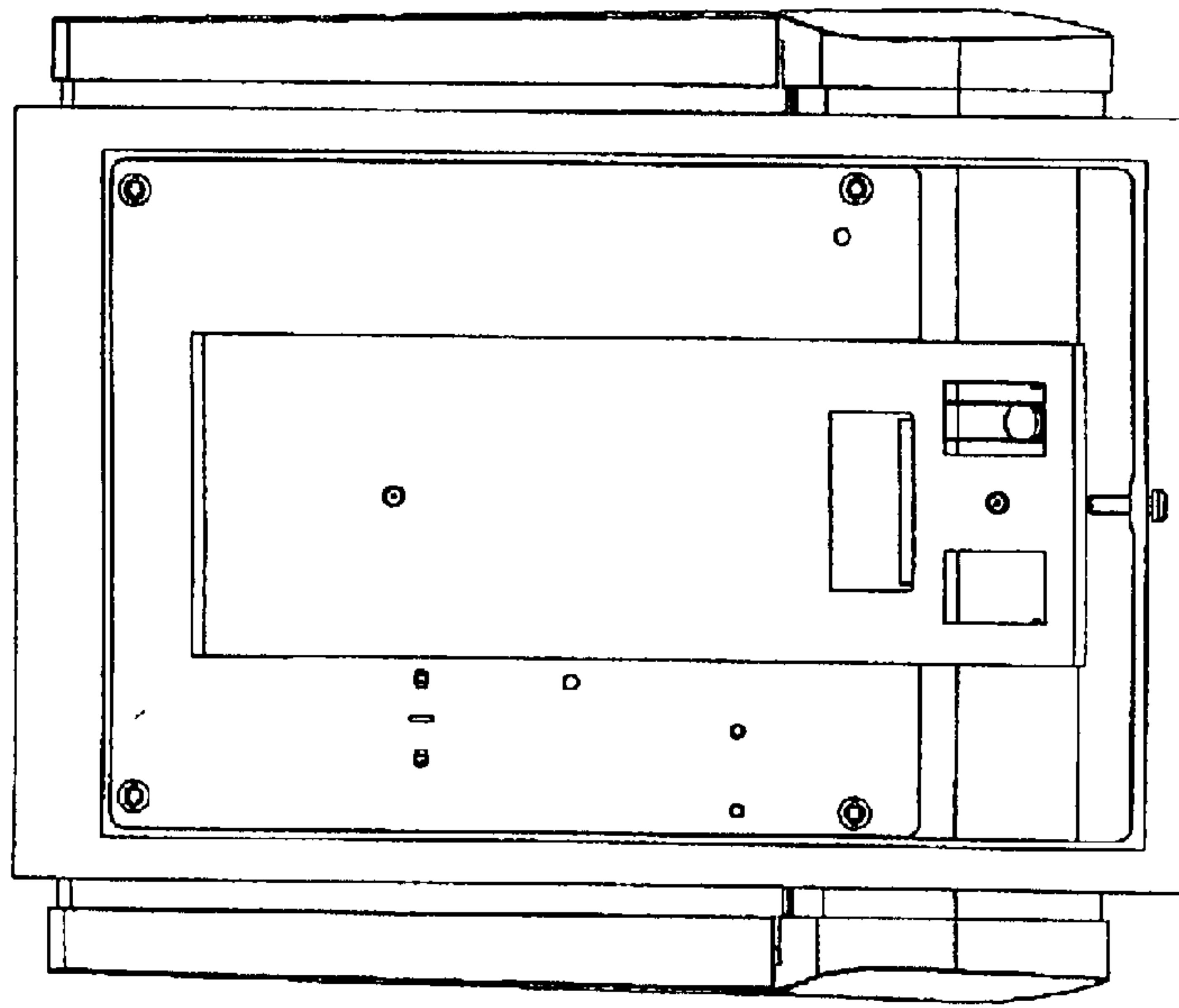


FIG. 6

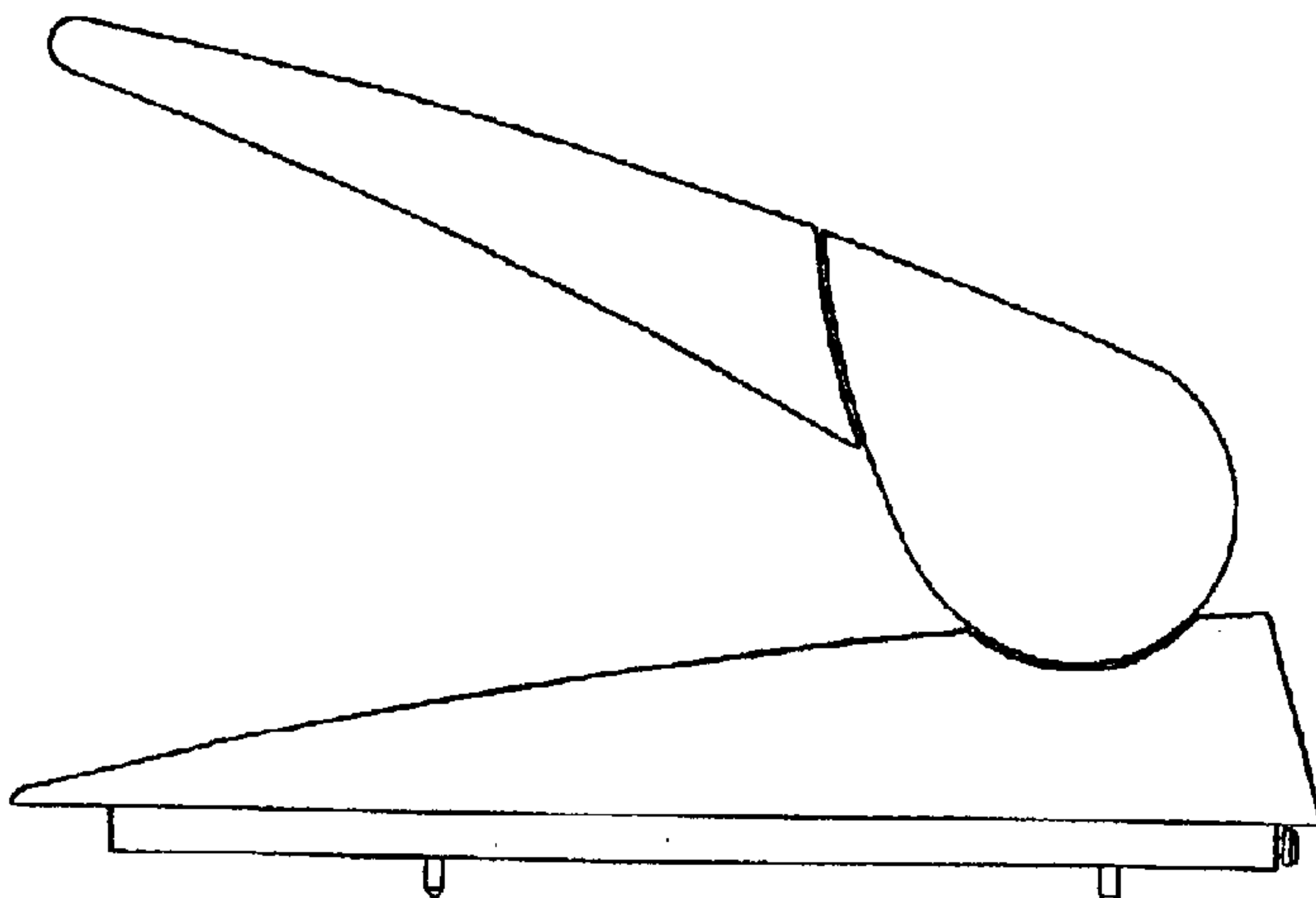


FIG. 7