



US00D491304S

(12) **United States Design Patent**
Krieger et al.

(10) **Patent No.:** **US D491,304 S**
(45) **Date of Patent:** **** Jun. 8, 2004**

(54) **SPOTLIGHT WITH RECHARGEABLE QUARTZ HALOGEN**

D459,822 S 7/2002 Poon
D471,656 S * 3/2003 Poon D26/28

(75) Inventors: **Michael Krieger**, Miami Beach, FL (US); **Kevin Ellsworth**, Hollywood, FL (US)

* cited by examiner

Primary Examiner—Marcus A. Jackson
(74) *Attorney, Agent, or Firm*—Venable LLP; Robert Kinberg

(73) Assignee: **Vector Products, Inc.**, Ft. Lauderdale, FL (US)

(57) **CLAIM**

(**) Term: **14 Years**

The ornamental design for a spotlight with rechargeable quartz halogen, as shown and described.

(21) Appl. No.: **29/175,569**

DESCRIPTION

(22) Filed: **Feb. 7, 2003**

(51) **LOC (7) Cl.** **26-02**

(52) **U.S. Cl.** **D26/46**

(58) **Field of Search** D26/28, 37-50;
362/157, 158, 171, 172, 173, 183-208

FIG. 1 is a perspective view from the front-top-right side of the spotlight with rechargeable quartz halogen showing our new design;

FIG. 2 is a front view of the design shown in FIG. 1;

FIG. 3 is a rear view of the design shown in FIG. 1;

FIG. 4 is a left side view of the design shown in FIG. 1;

FIG. 5 is a right side view of the design shown in FIG. 1;

FIG. 6 is a top view of the design shown in FIG. 1;

FIG. 7 is a bottom view of the design shown in FIG. 1; and,

FIG. 8 is a front top right perspective view of the design showing the lamp on a pivoted position relative to the base.

(56) **References Cited**

U.S. PATENT DOCUMENTS

- D337,644 S 7/1993 Stearns et al.
- D389,594 S 1/1998 Poon
- D425,229 S * 5/2000 Poon D26/46
- D444,897 S * 7/2001 Yuen D26/46

1 Claim, 8 Drawing Sheets

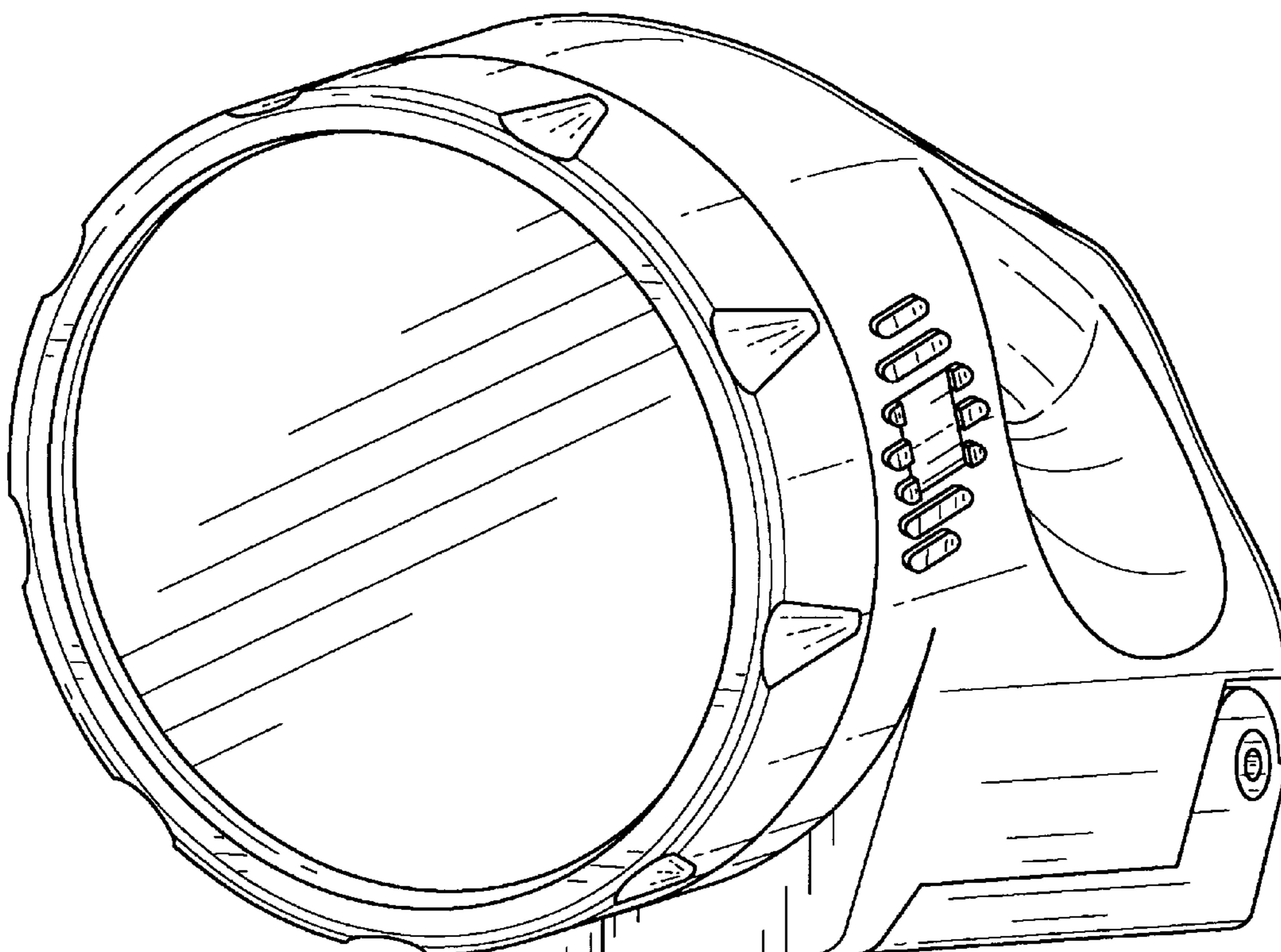




FIG. 1

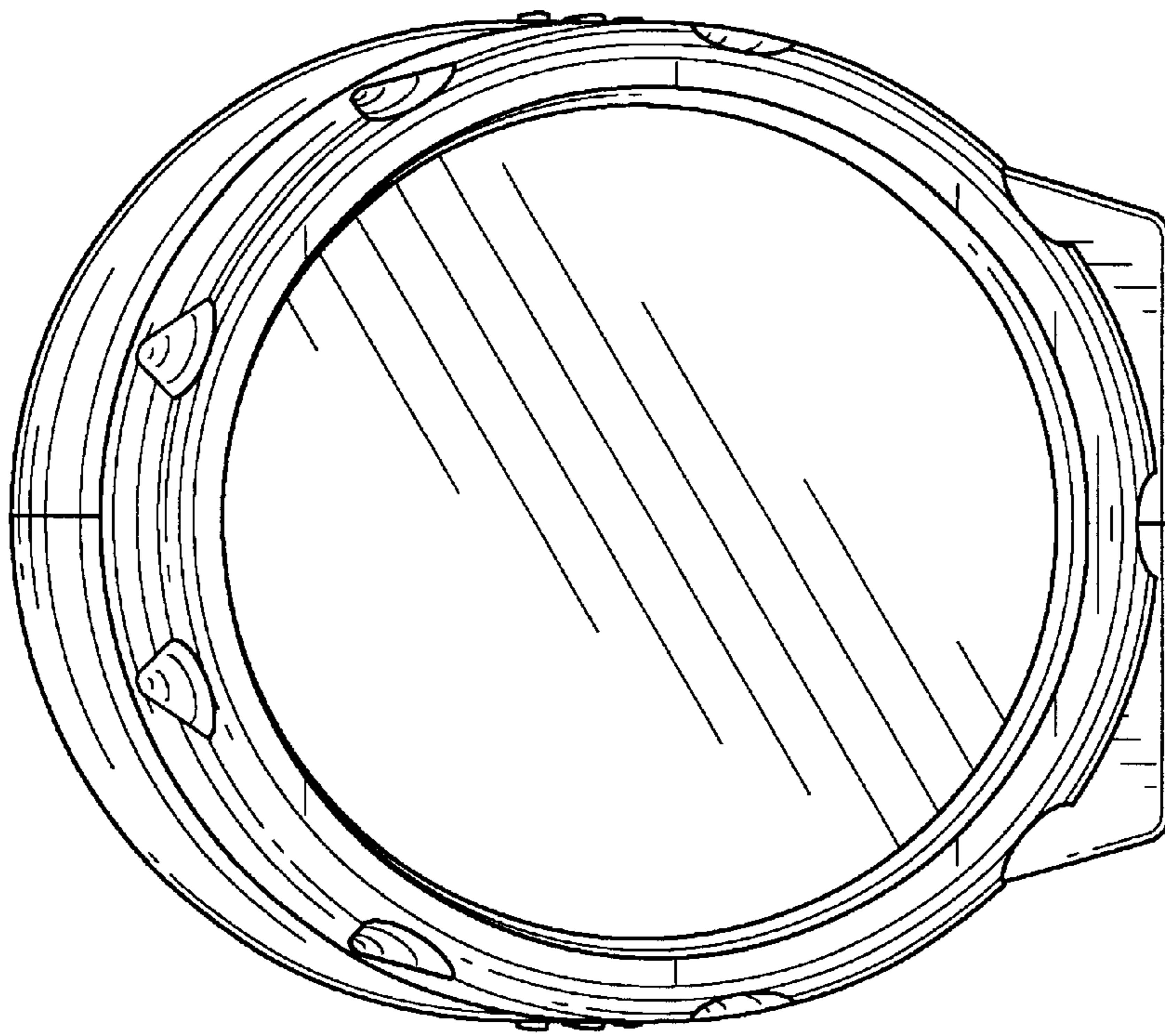


FIG. 2

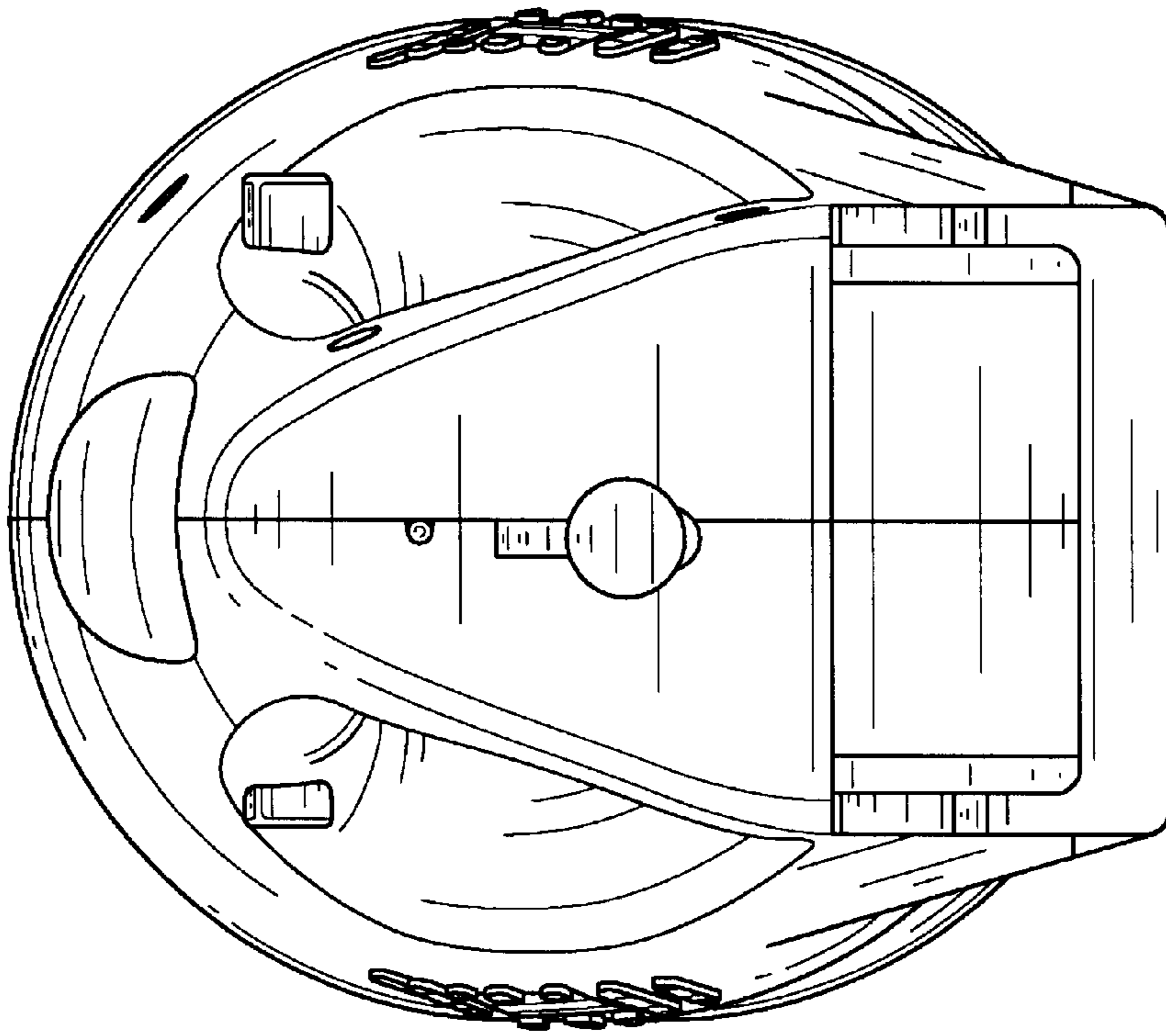


FIG. 3

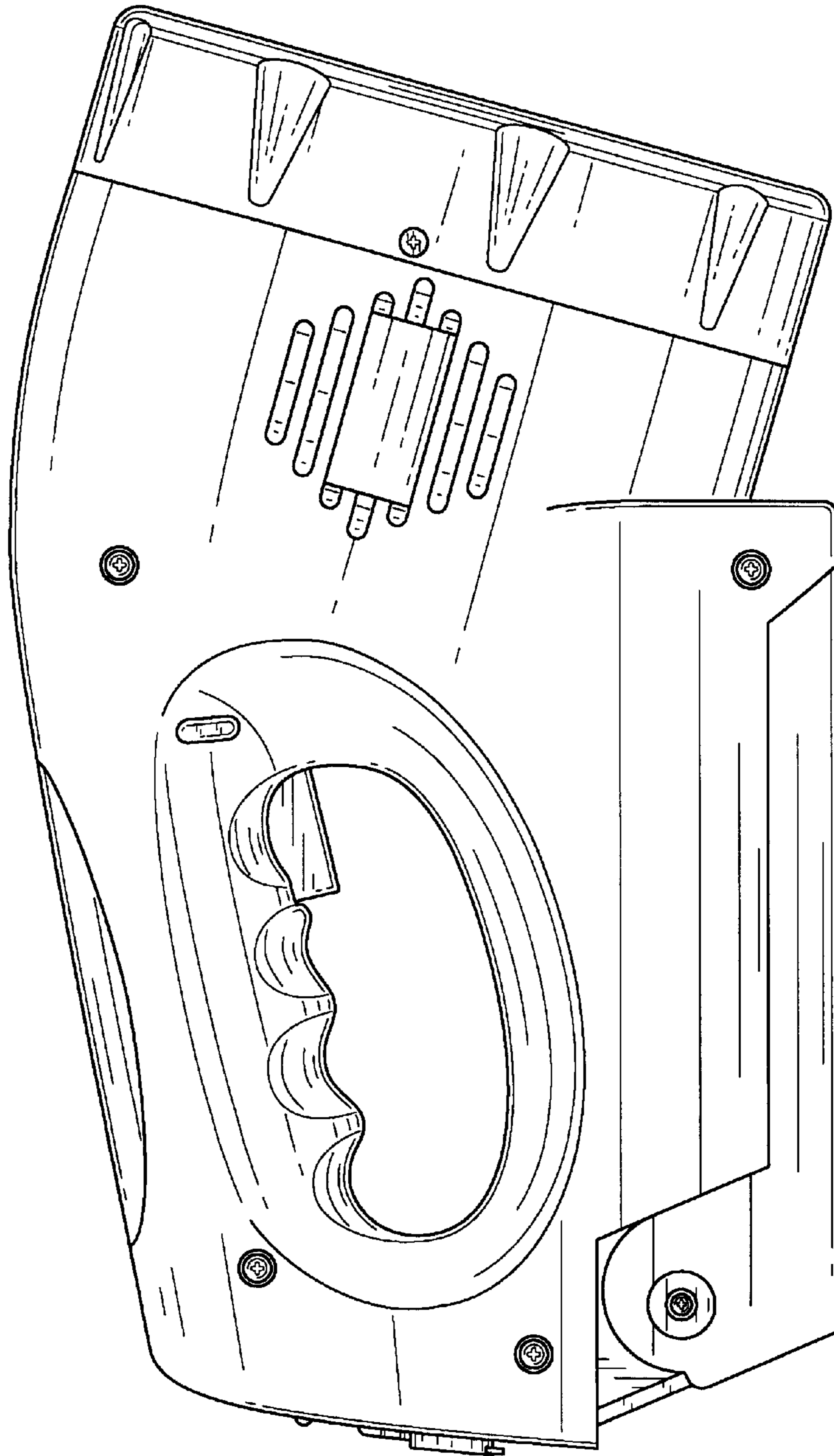


FIG. 4

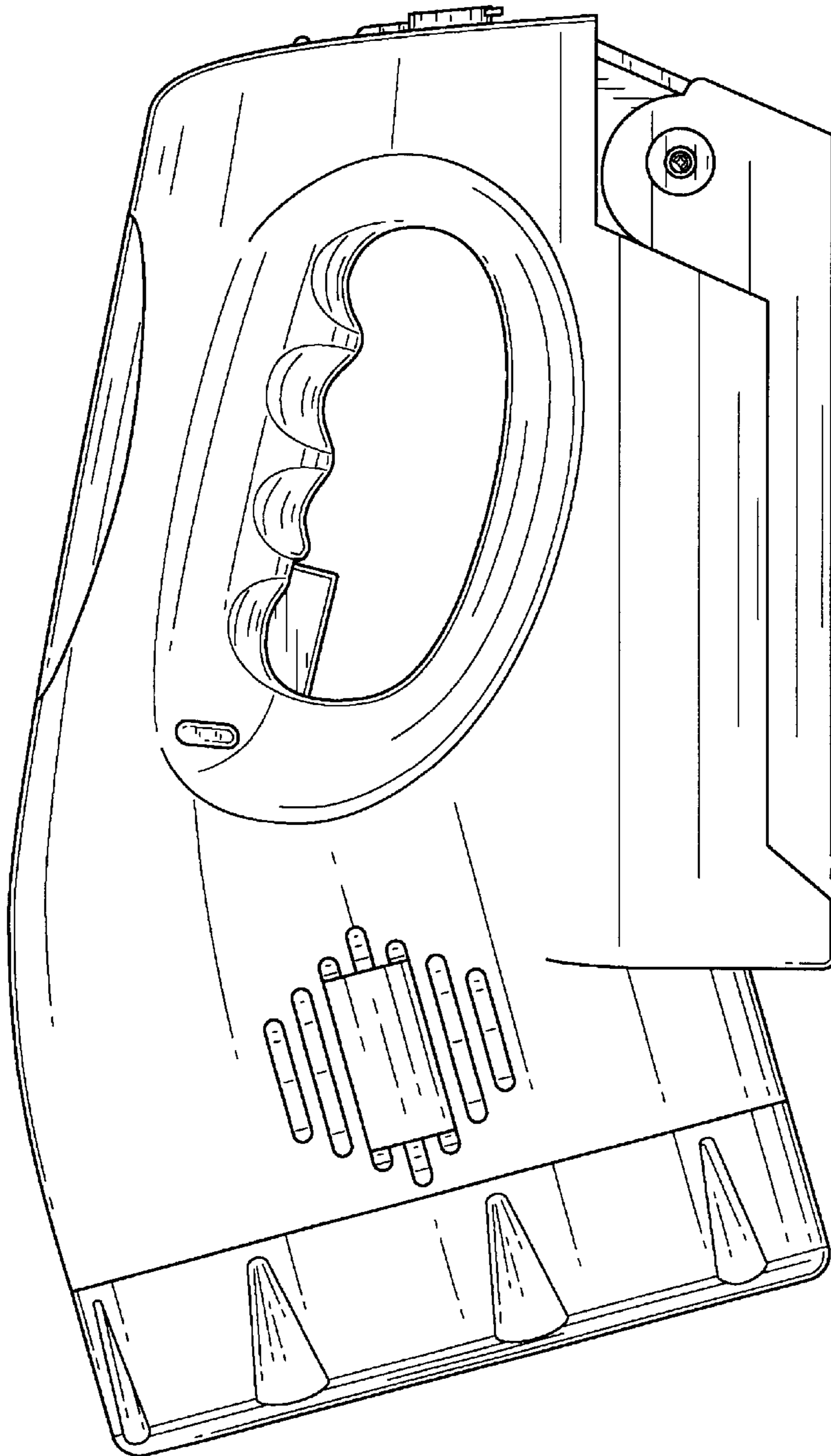


FIG. 5

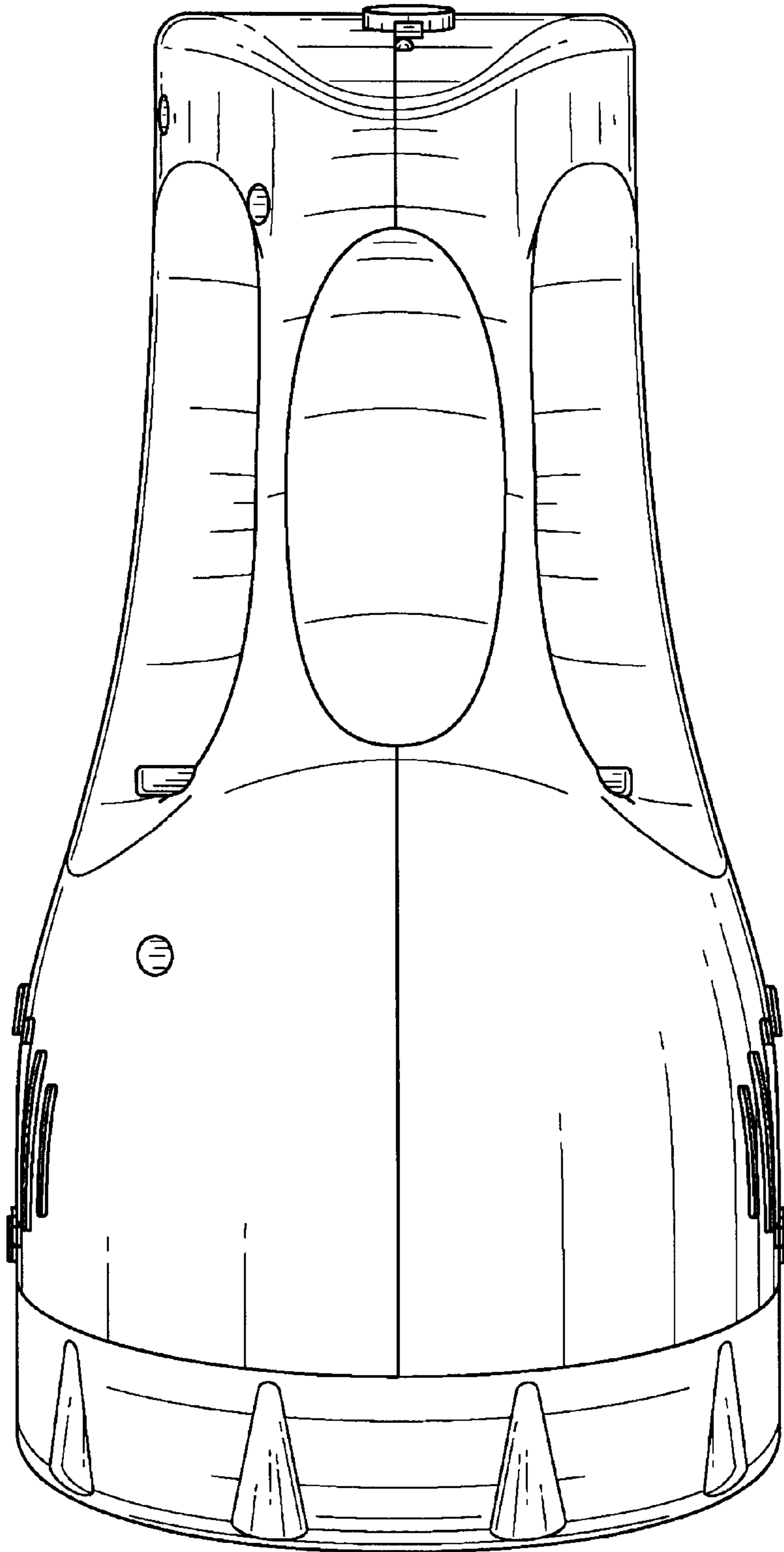


FIG. 6

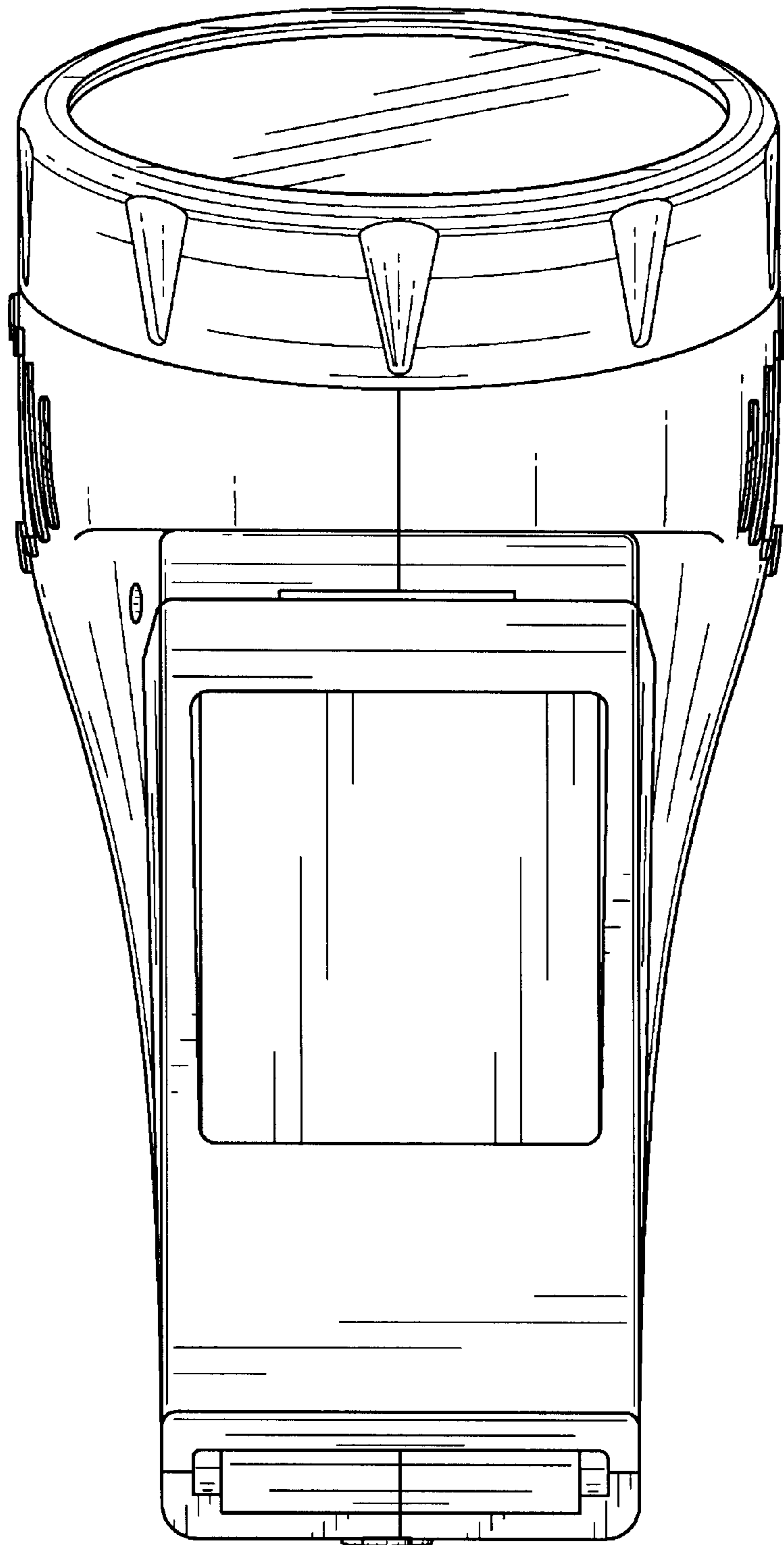


FIG. 7

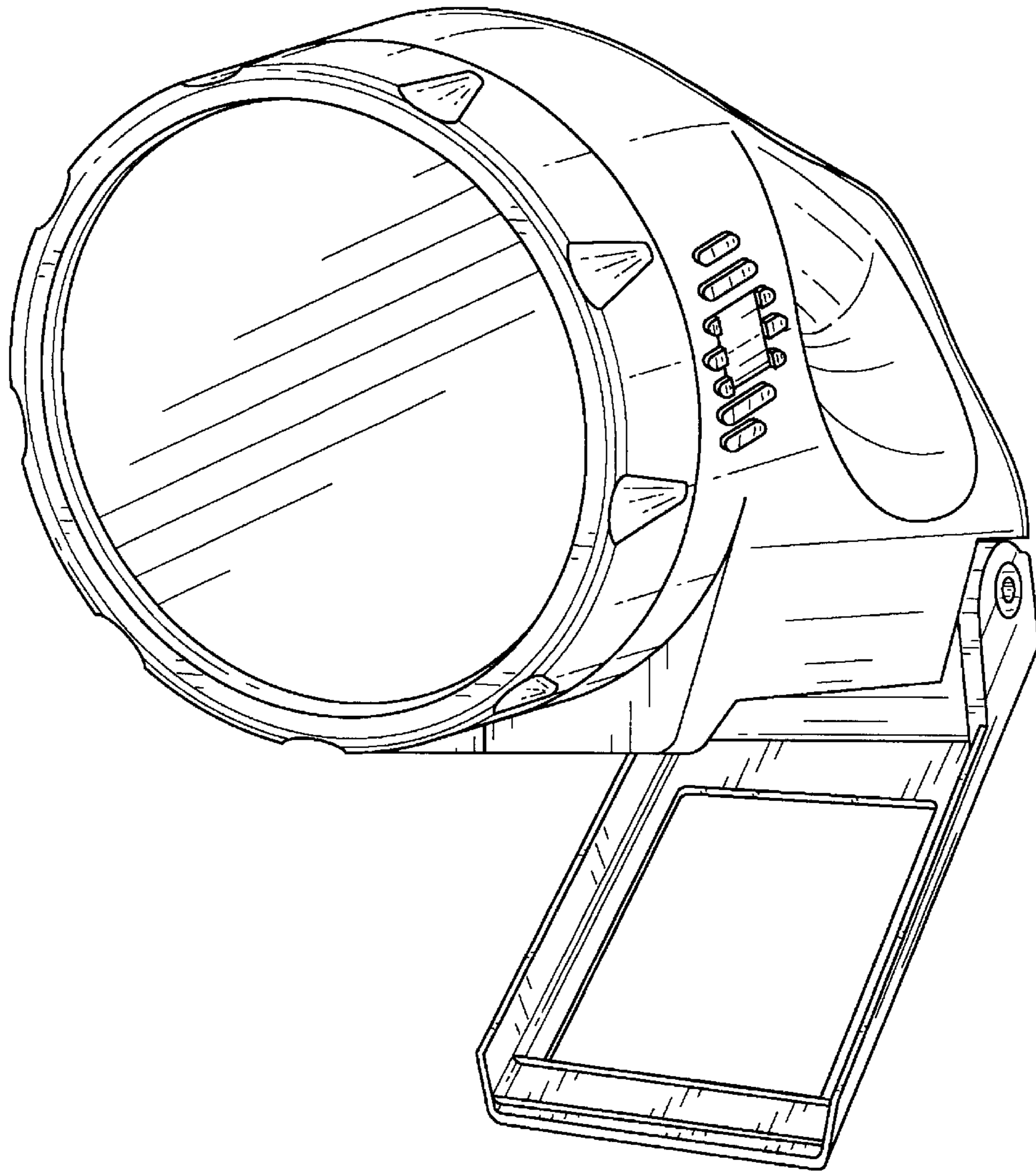


FIG. 8