



US00D491303S

(12) **United States Design Patent**
Shen

(10) **Patent No.:** **US D491,303 S**

(45) **Date of Patent:** **** Jun. 8, 2004**

(54) **SPOT LIGHT**

(76) **Inventor:** **Jianli Shen**, (Yuyao Tianli Electronics Co., Ltd.) Guangming (north) road, Simen town, Yuyao city, Zhejiang province (CN), 315470

(**) **Term:** **14 Years**

(21) **Appl. No.:** **29/190,585**

(22) **Filed:** **Sep. 23, 2003**

(30) **Foreign Application Priority Data**

May 15, 2003 (CN) 03330696

(51) **LOC (7) Cl.** **26-02**

(52) **U.S. Cl.** **D26/45**

(58) **Field of Search** D26/37-50; 362/157, 362/158, 171-174, 183-208

(56) **References Cited**

U.S. PATENT DOCUMENTS

D429,013 S * 8/2000 Poon D26/45

D434,513 S * 11/2000 Poon D26/45
D441,474 S * 5/2001 Poon D26/45
D462,471 S * 9/2002 Bieri D26/45

* cited by examiner

Primary Examiner—Marcus A. Jackson

(74) *Attorney, Agent, or Firm*—Kaplan & Gilman, LLP

(57) **CLAIM**

The ornamental design for a spot light, as shown and described.

DESCRIPTION

FIG. 1 is a perspective view from the front-right-top side of the spot light with a handle showing our new design, with a belt fastener on the top;

FIG. 2 is a right-side view of the design shown in FIG. 1;

FIG. 3 is a front view of the design shown in FIG. 1;

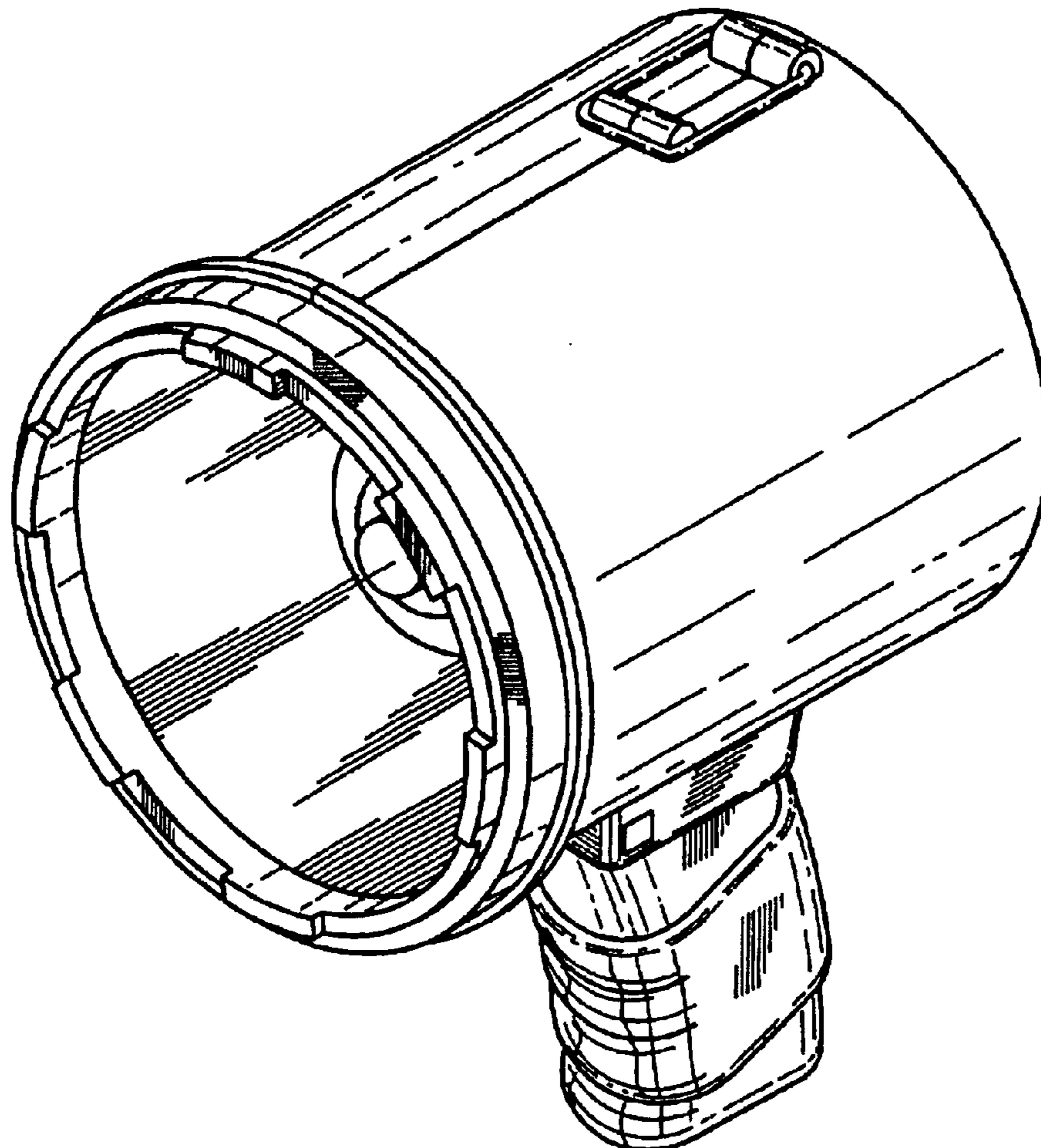
FIG. 4 is a rear view of the design shown in FIG. 1;

FIG. 5 is a top view of the design shown in FIG. 1;

FIG. 6 is a bottom view of the design shown in FIG. 1; and,

FIG. 7 is a left-side view of the design shown in FIG. 1.

1 Claim, 7 Drawing Sheets



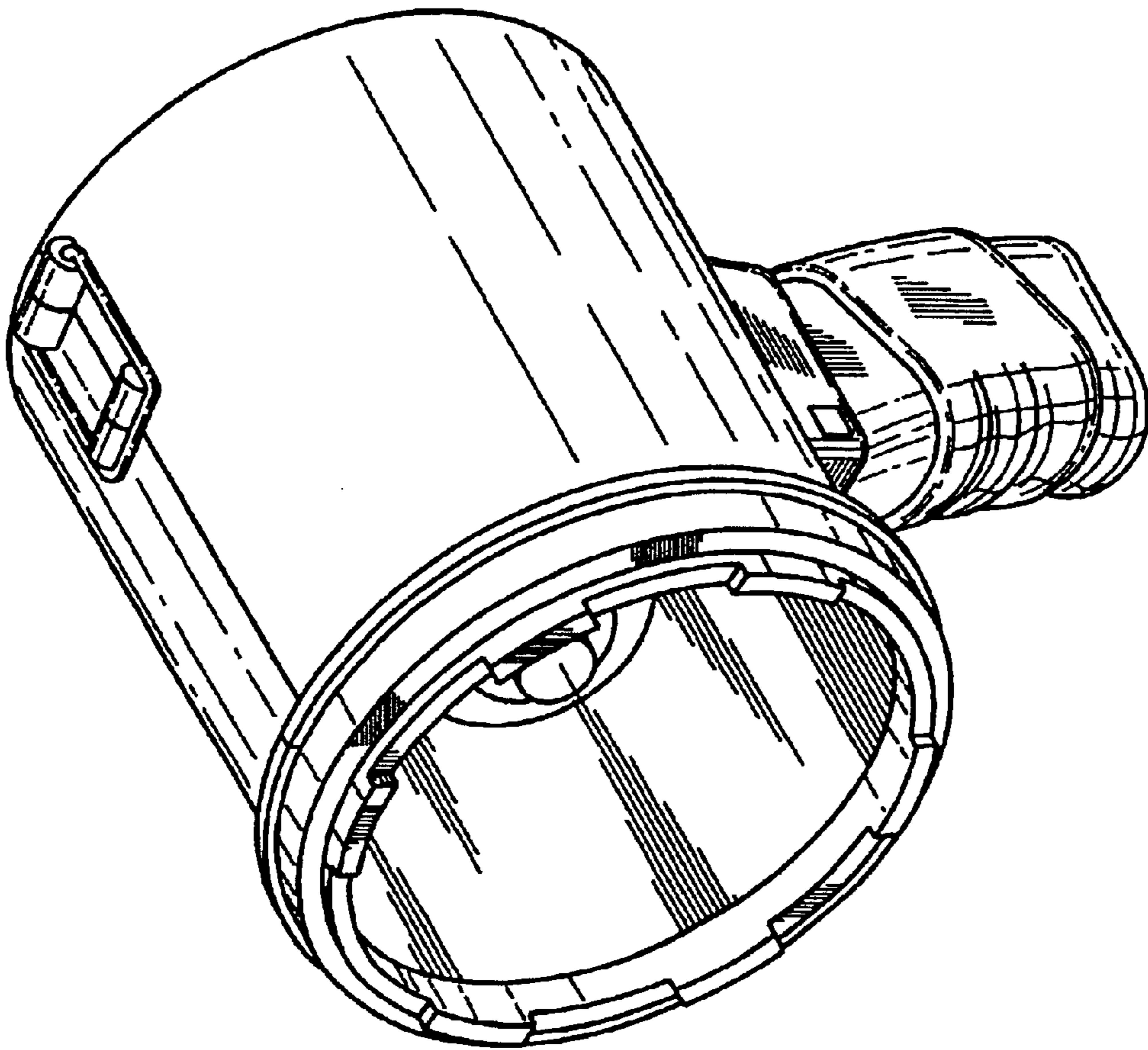


FIG. 1

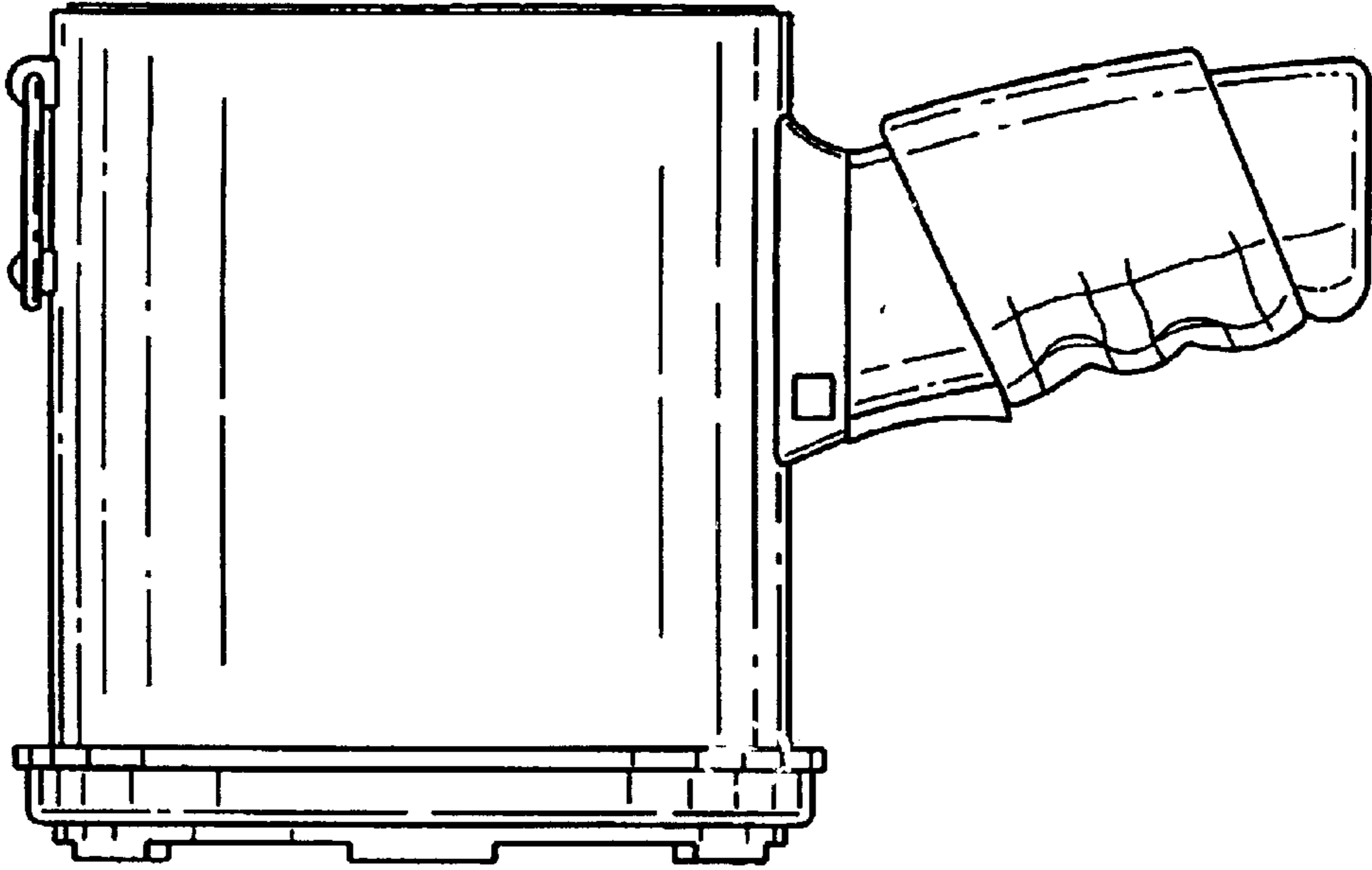


FIG. 2

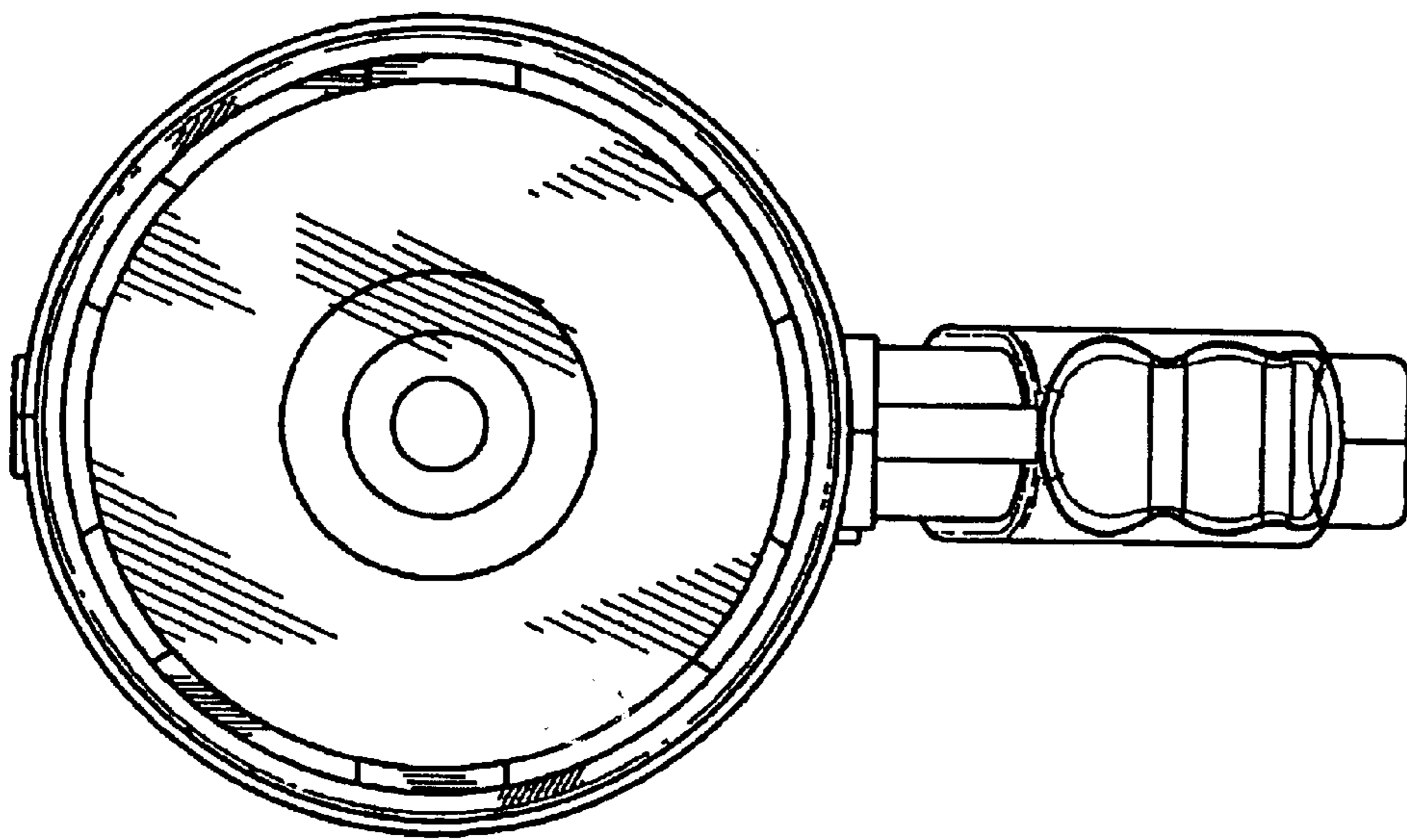


FIG. 3

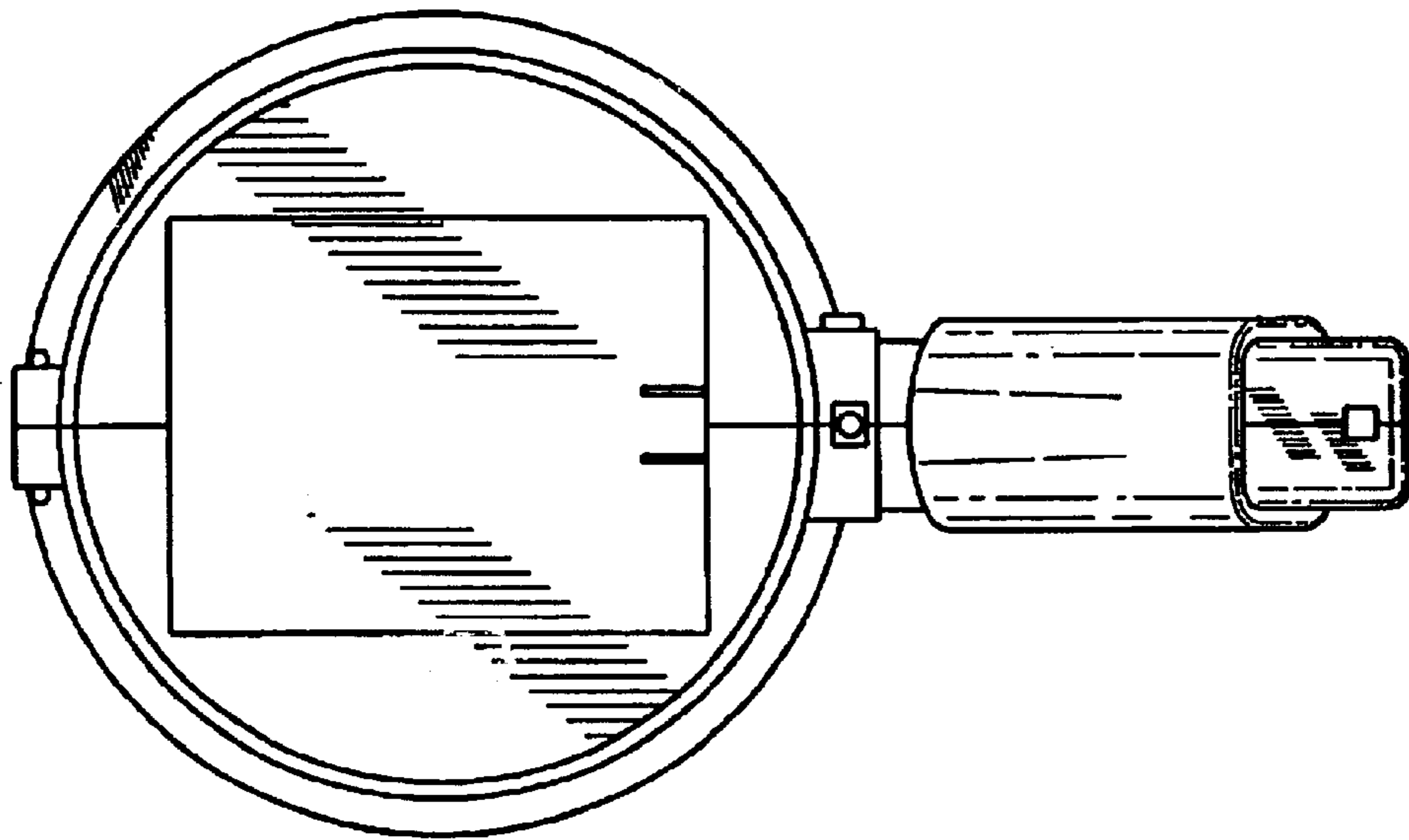


FIG. 4

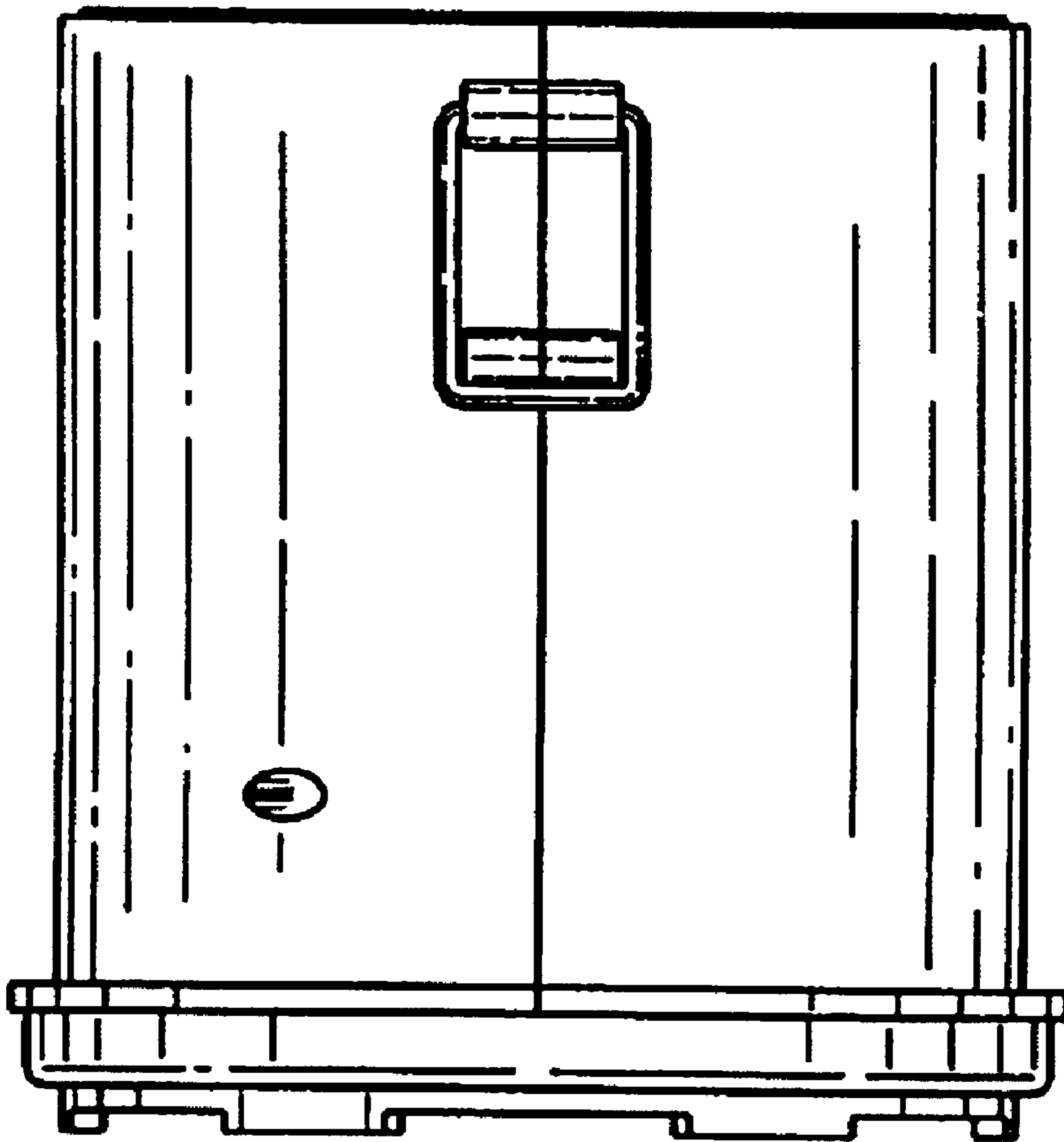


FIG. 5

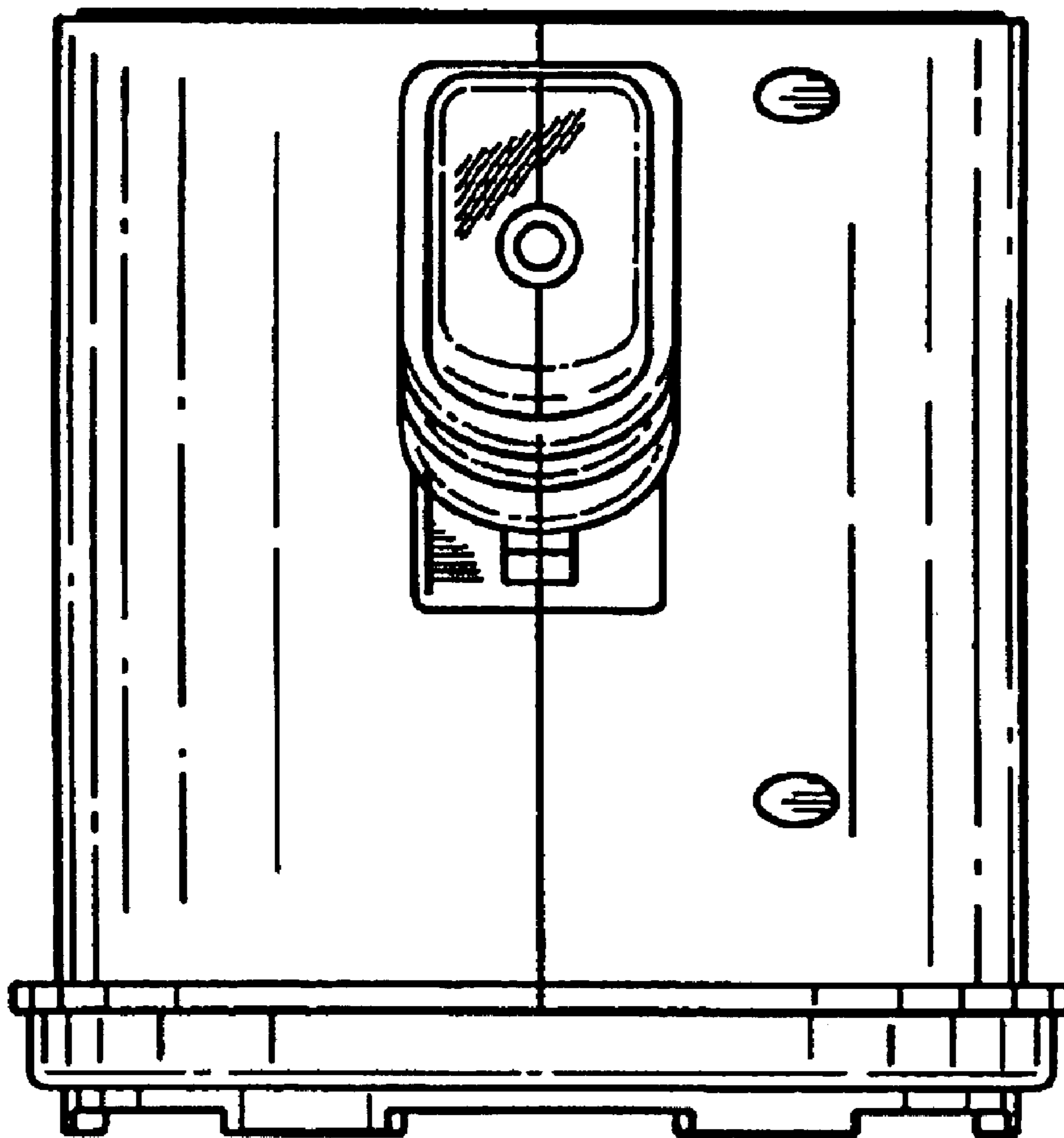


FIG. 6

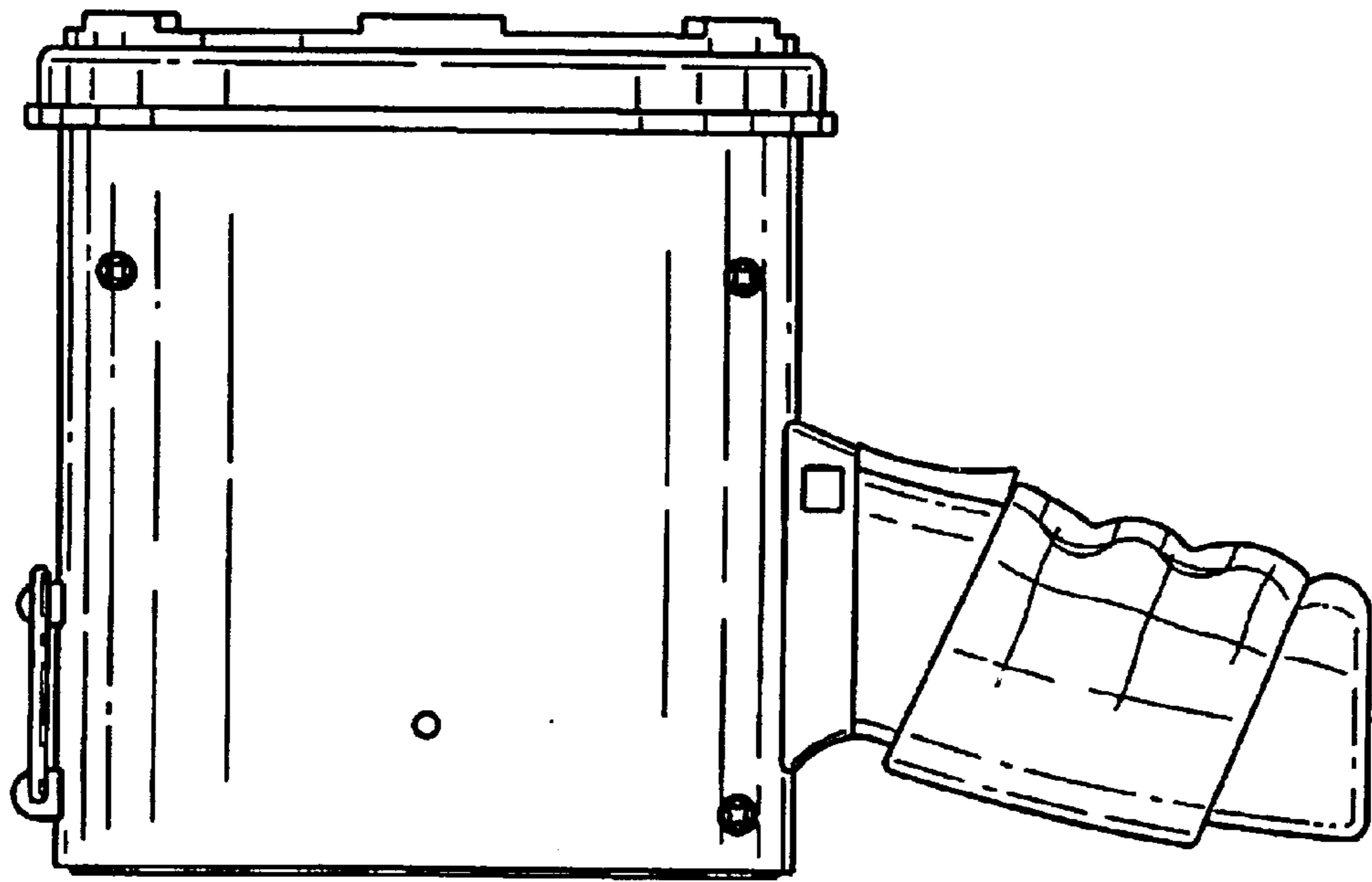


FIG. 7