



US00D491302S

(12) **United States Design Patent**
Krieger et al.

(10) **Patent No.:** **US D491,302 S**

(45) **Date of Patent:** **** Jun. 8, 2004**

(54) **MERIDIAN LAMP**

(75) Inventors: **Michael Krieger**, Miami Beach, FL (US); **Kevin Ellsworth**, Hollywood, FL (US)

(73) Assignee: **Vector Products, Inc.**, Ft. Lauderdale, FL (US)

(**) Term: **14 Years**

(21) Appl. No.: **29/186,682**

(22) Filed: **Jul. 22, 2003**

(51) **LOC (7) Cl.** **26-02**

(52) **U.S. Cl.** **D26/40**

(58) **Field of Search** D26/37-50; 362/157, 362/158, 171-173, 183-208

(56) **References Cited**

U.S. PATENT DOCUMENTS

D424,726 S	*	5/2000	Petterson et al.	D26/40
D429,354 S	*	8/2000	Petterson	D26/40
D483,507 S	*	12/2003	Krieger et al.	D26/40

* cited by examiner

Primary Examiner—Marcus A. Jackson

(74) *Attorney, Agent, or Firm*—Venable LLP; Robert Kinberg

(57) **CLAIM**

The ornamental design for a meridian lamp, as shown and described.

DESCRIPTION

FIG. 1 is a perspective view from the front-top-left side of the meridian lamp showing a first embodiment of our new design;

FIG. 2 is a front view of the design shown in FIG. 1;

FIG. 3 is a rear view of the design shown in FIG. 1;

FIG. 4 is a left side view of the design shown in FIG. 1;

FIG. 5 is a right side view of the design shown in FIG. 1;

FIG. 6 is a top view of the design shown in FIG. 1;

FIG. 7 is a bottom view of the design shown in FIG. 1;

FIG. 8 is a perspective view from the front-top-left side of the meridian lamp showing a second embodiment of our new design;

FIG. 9 is a front view of the design shown in FIG. 8;

FIG. 10 is a rear view of the design shown in FIG. 8;

FIG. 11 is a left side view of the design shown in FIG. 8;

FIG. 12 is a right side view of the design shown in FIG. 8;

FIG. 13 is a top view of the design shown in FIG. 8;

FIG. 14 is a bottom view of the design shown in FIG. 8;

FIG. 15 is a perspective view from the front-top-left side of the meridian lamp showing a third embodiment of our new design;

FIG. 16 is a front view of the design shown in FIG. 15;

FIG. 17 is a rear view of the design shown in FIG. 15;

FIG. 18 is a left side view of the design shown in FIG. 15;

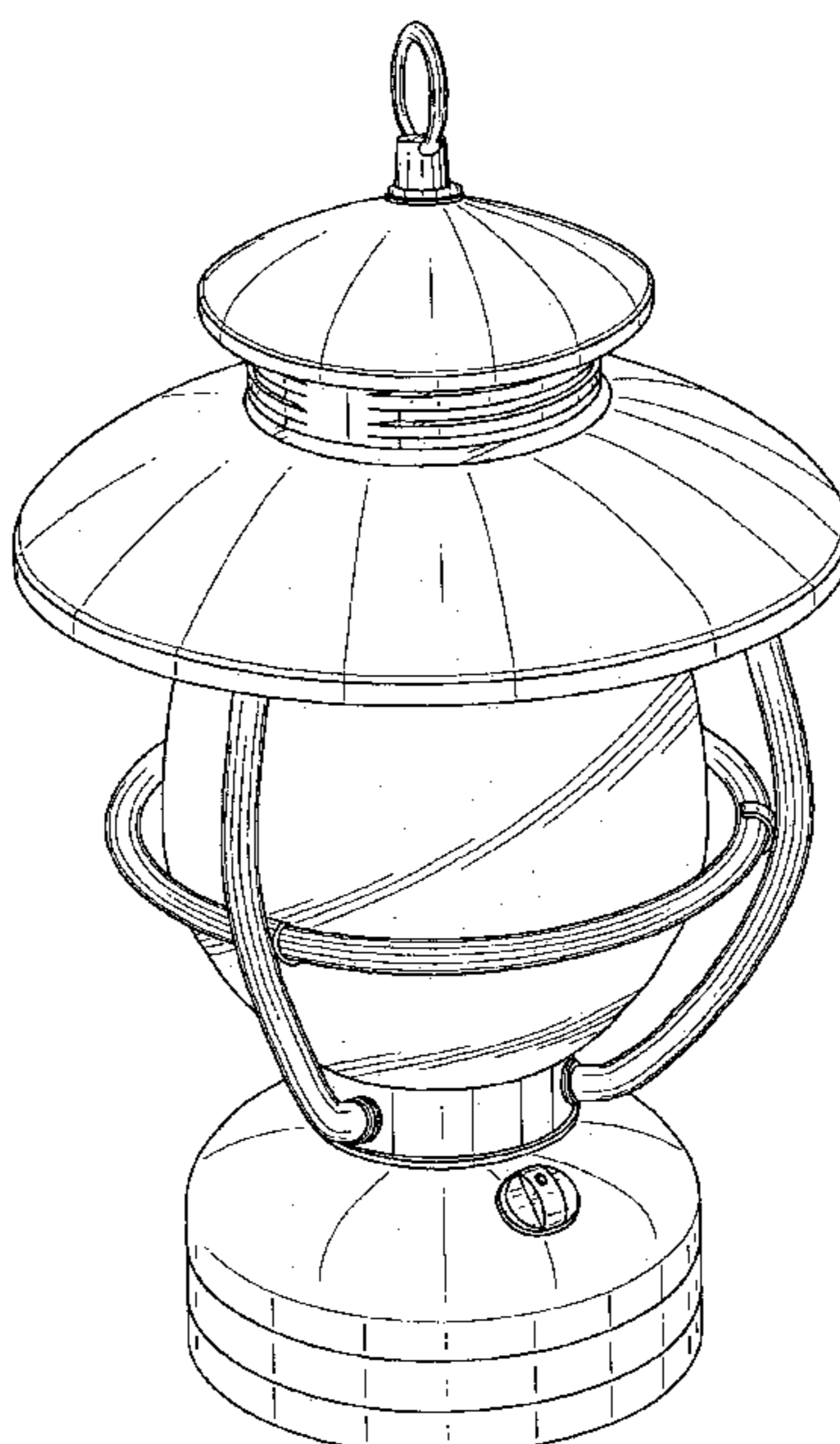
FIG. 19 is a right side view of the design shown in FIG. 15;

FIG. 20 is a top view of the design shown in FIG. 15; and,

FIG. 21 is a bottom view of the design shown in FIG. 15.

The broken lines immediately adjacent the shaded areas represent the bounds of the claimed design while all other broken lines are for illustrative purposes only; the broken lines form no part of the claimed design.

1 Claim, 21 Drawing Sheets



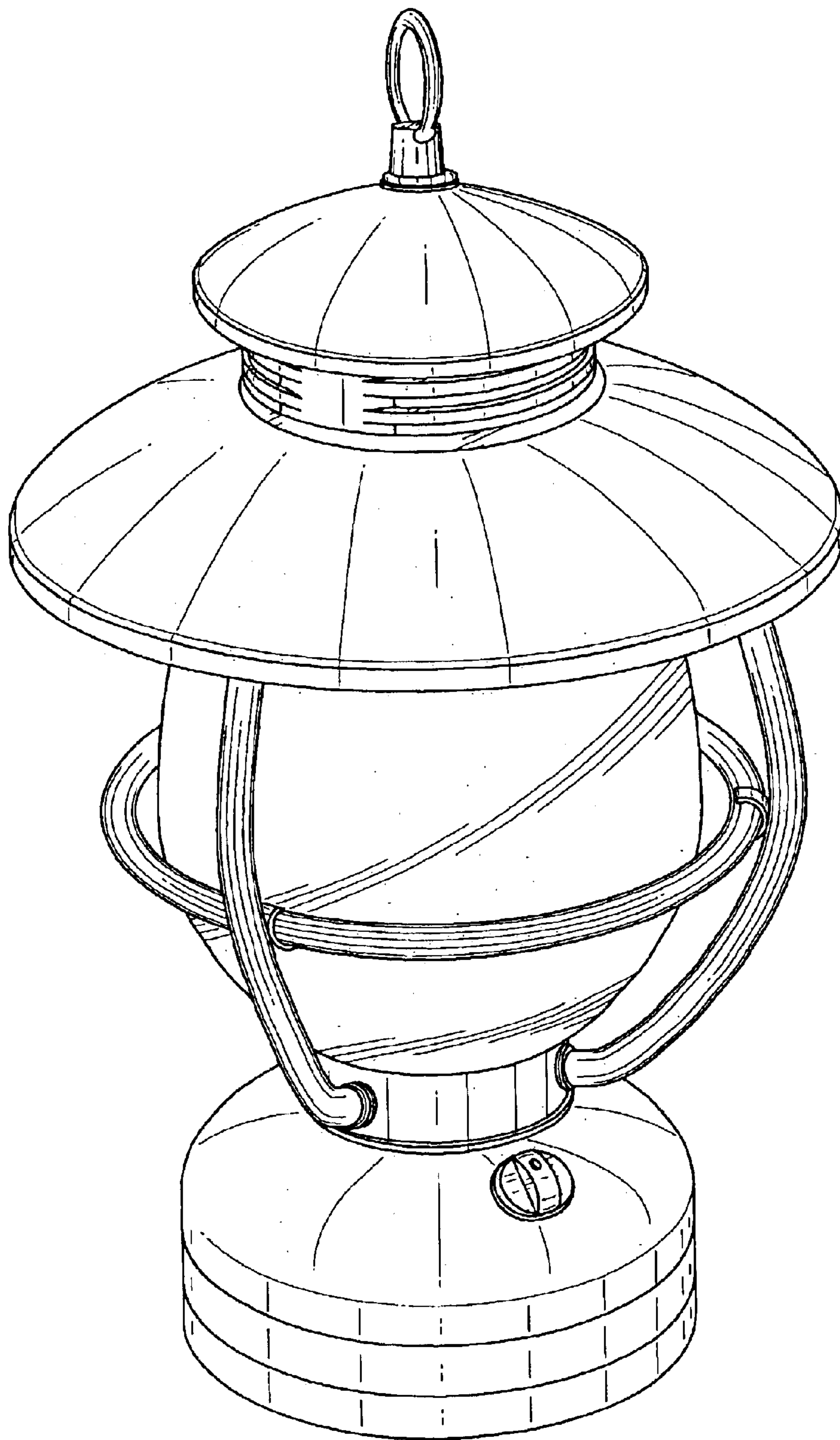


FIG. 1

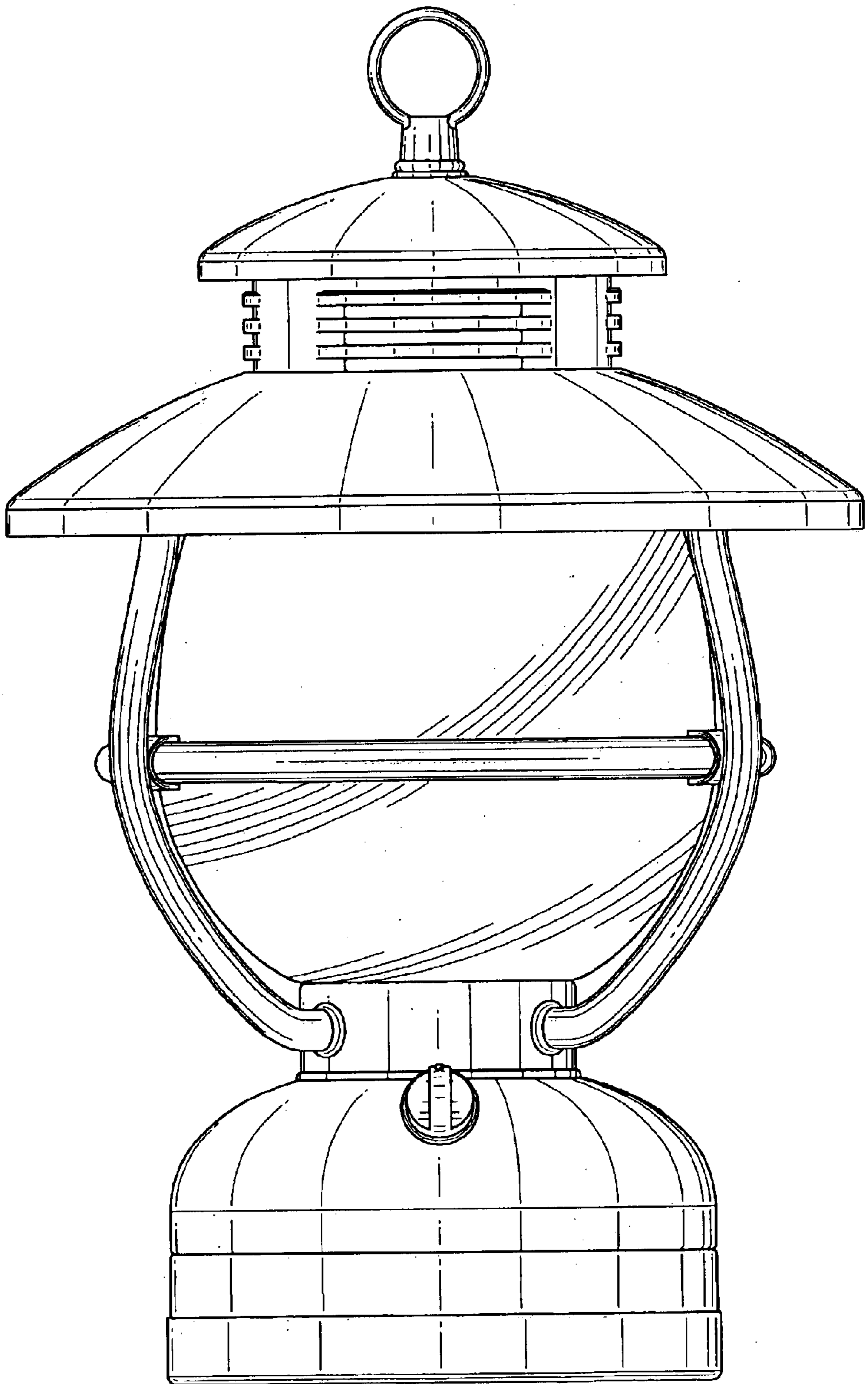


FIG. 2

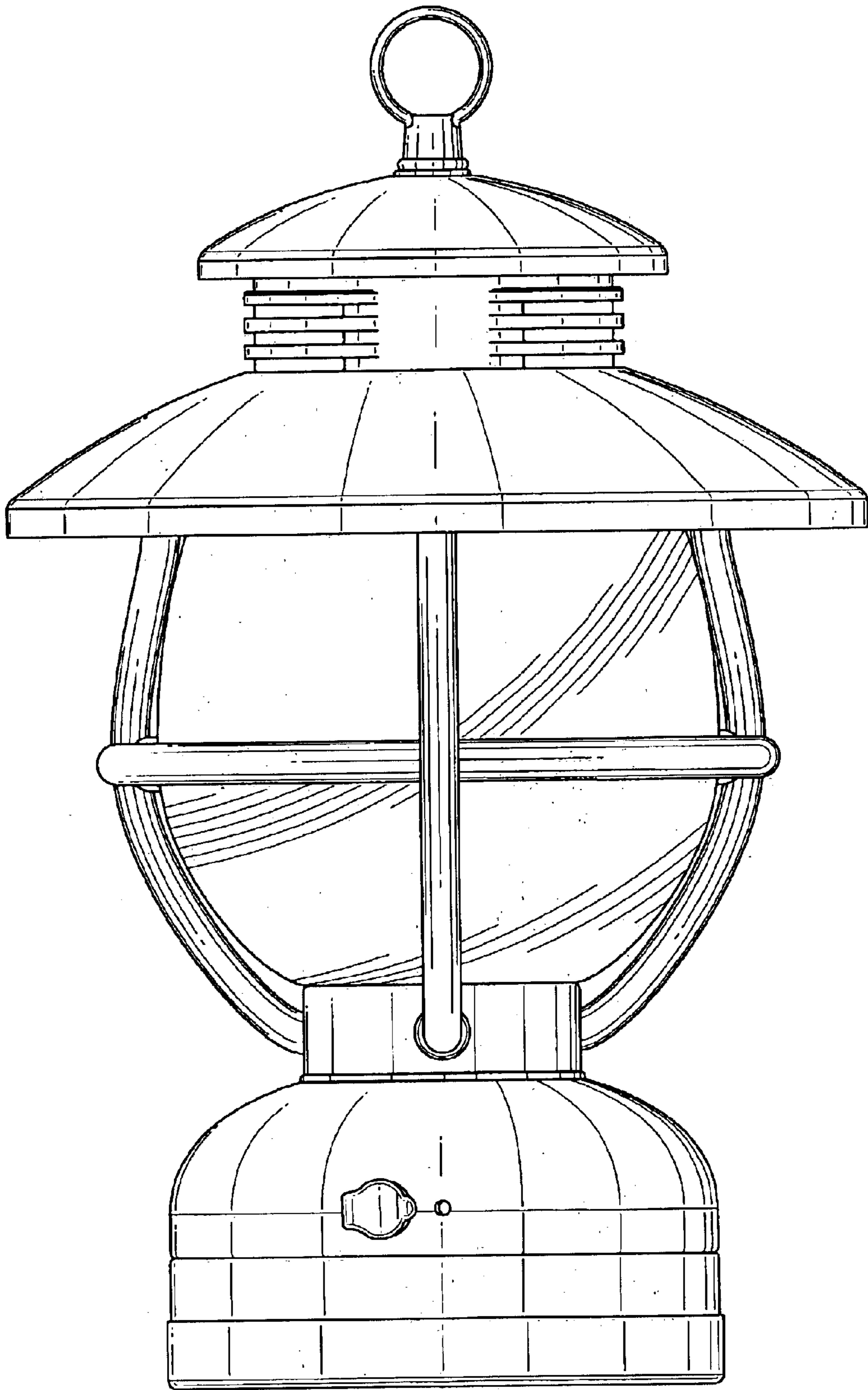


FIG. 3

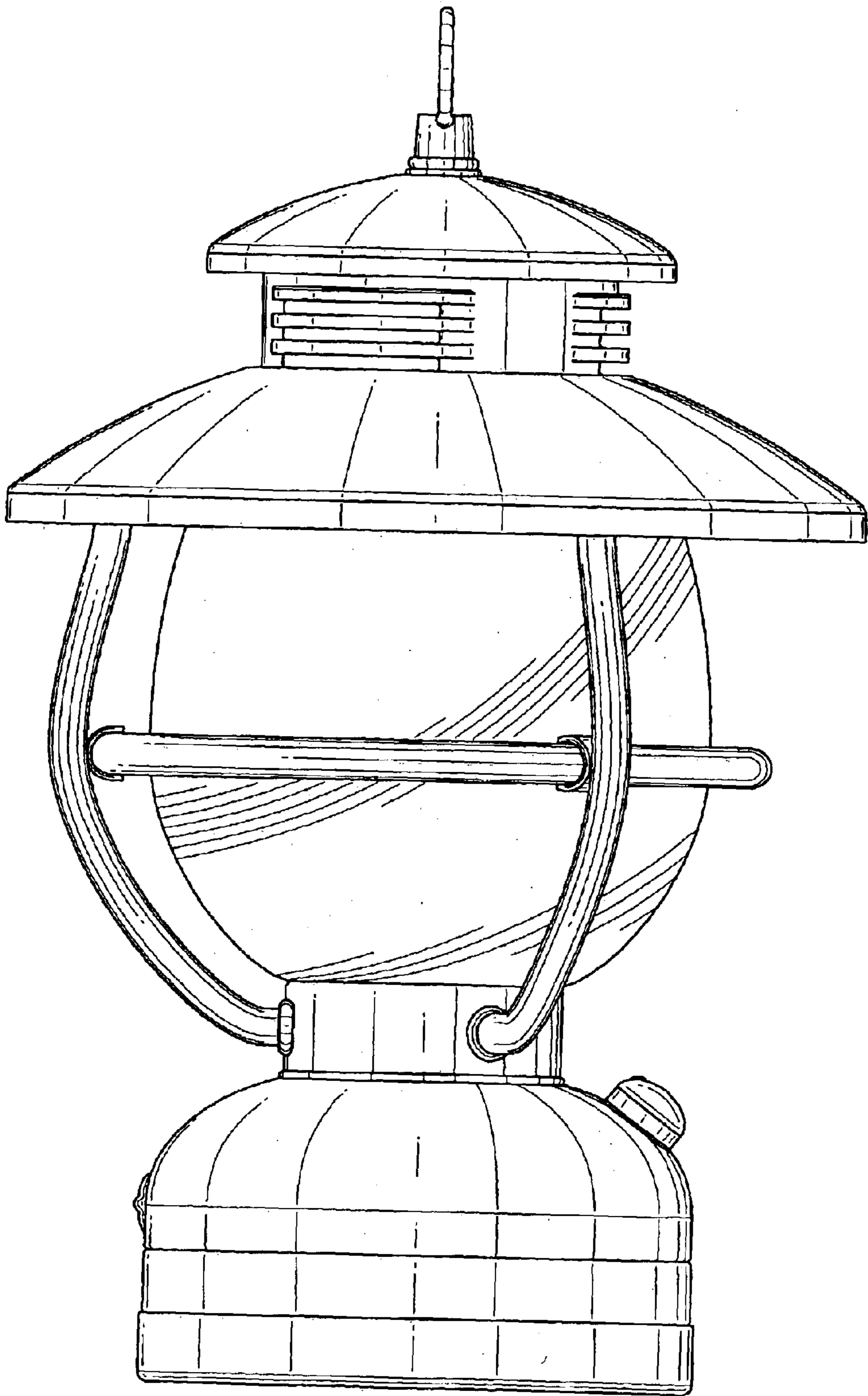


FIG. 4

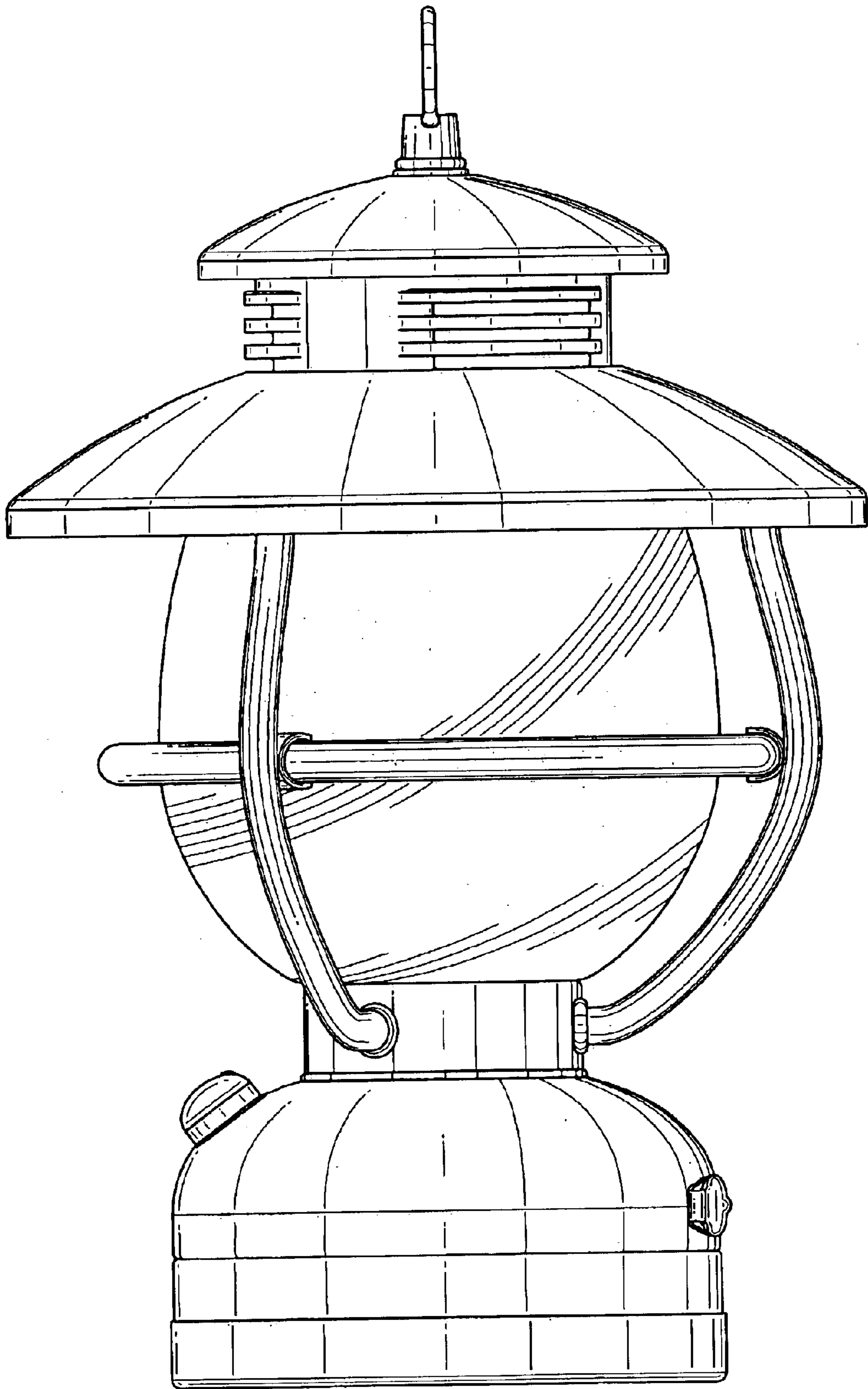


FIG. 5

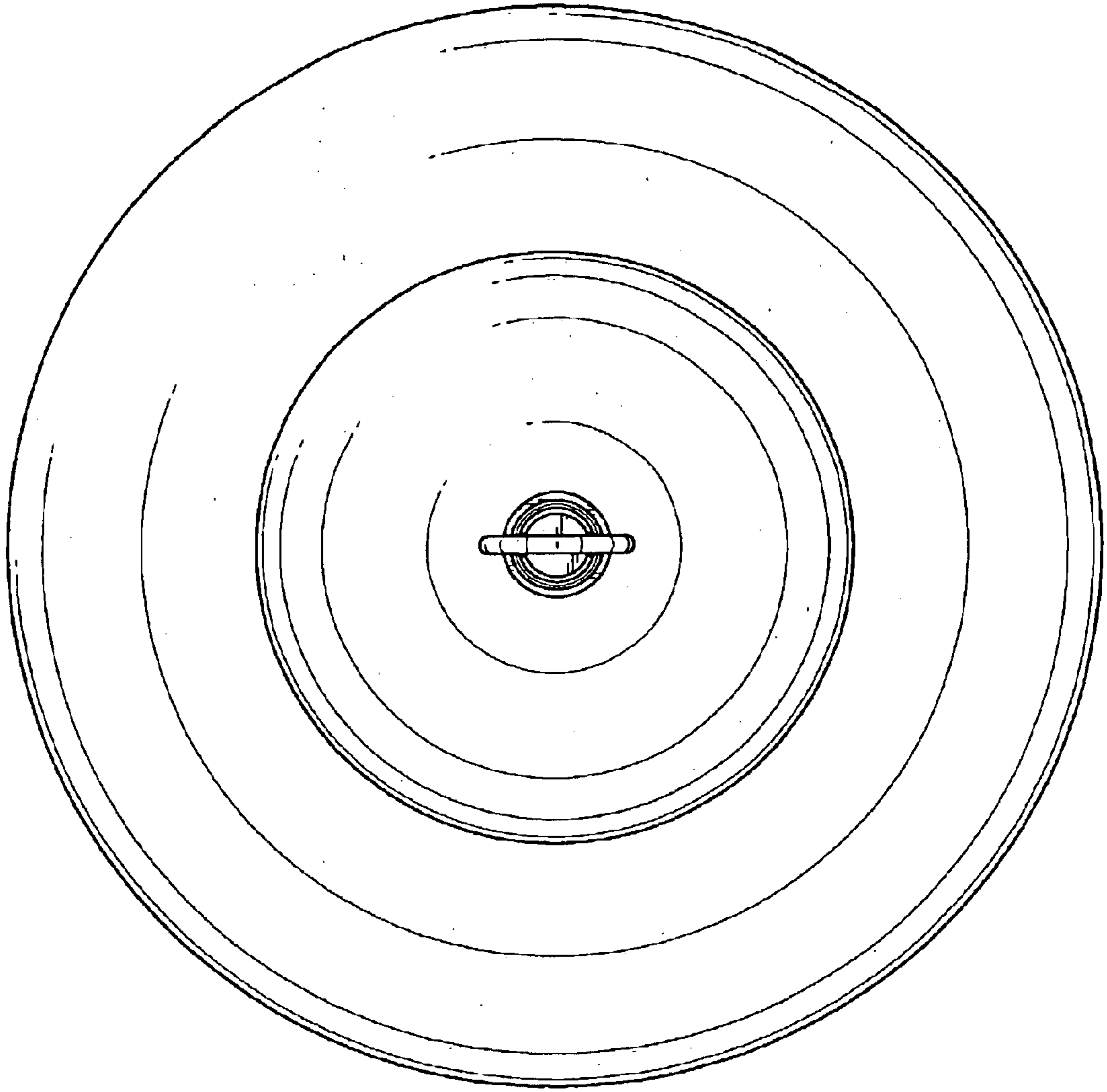


FIG. 6

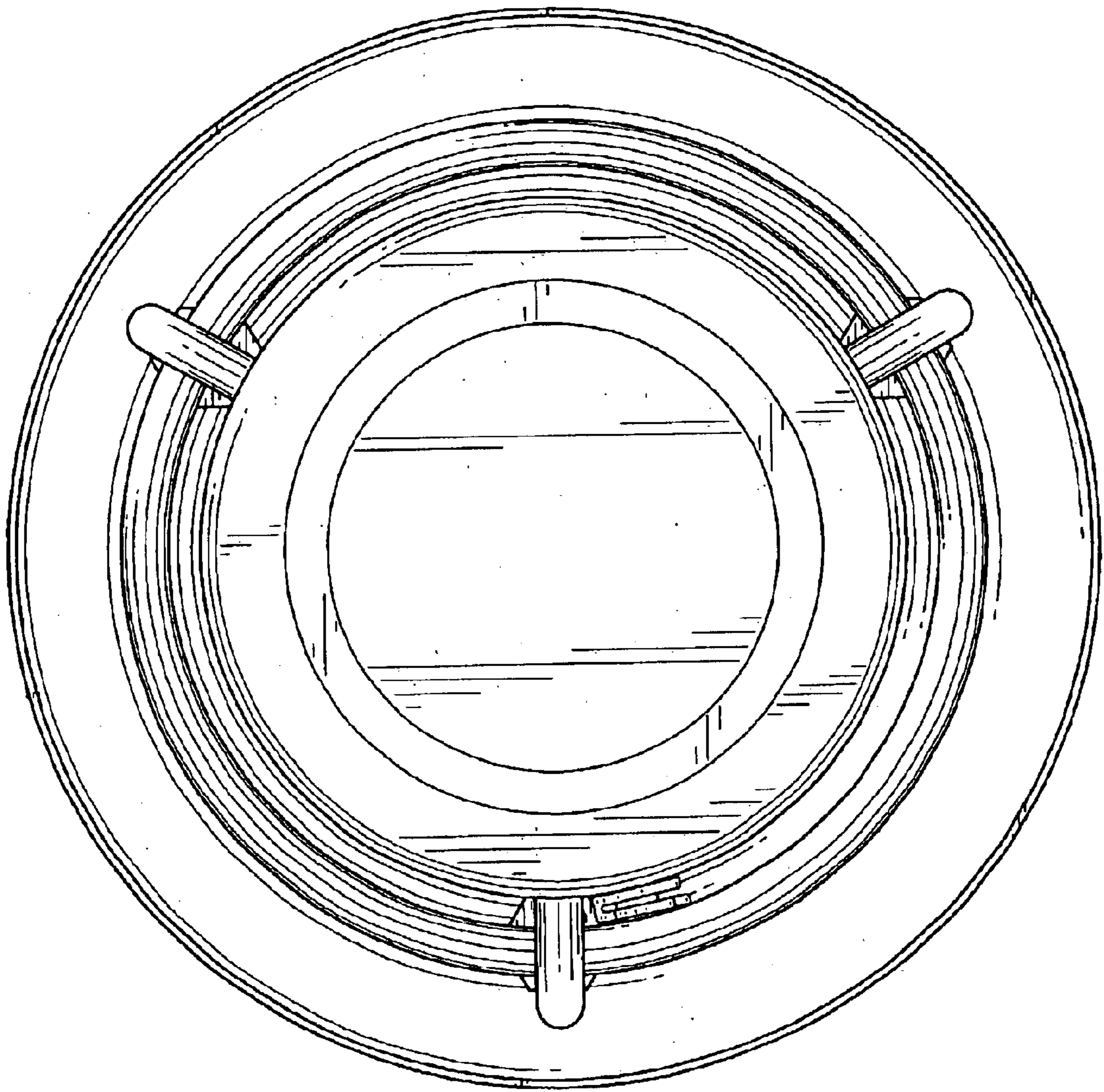


FIG. 7

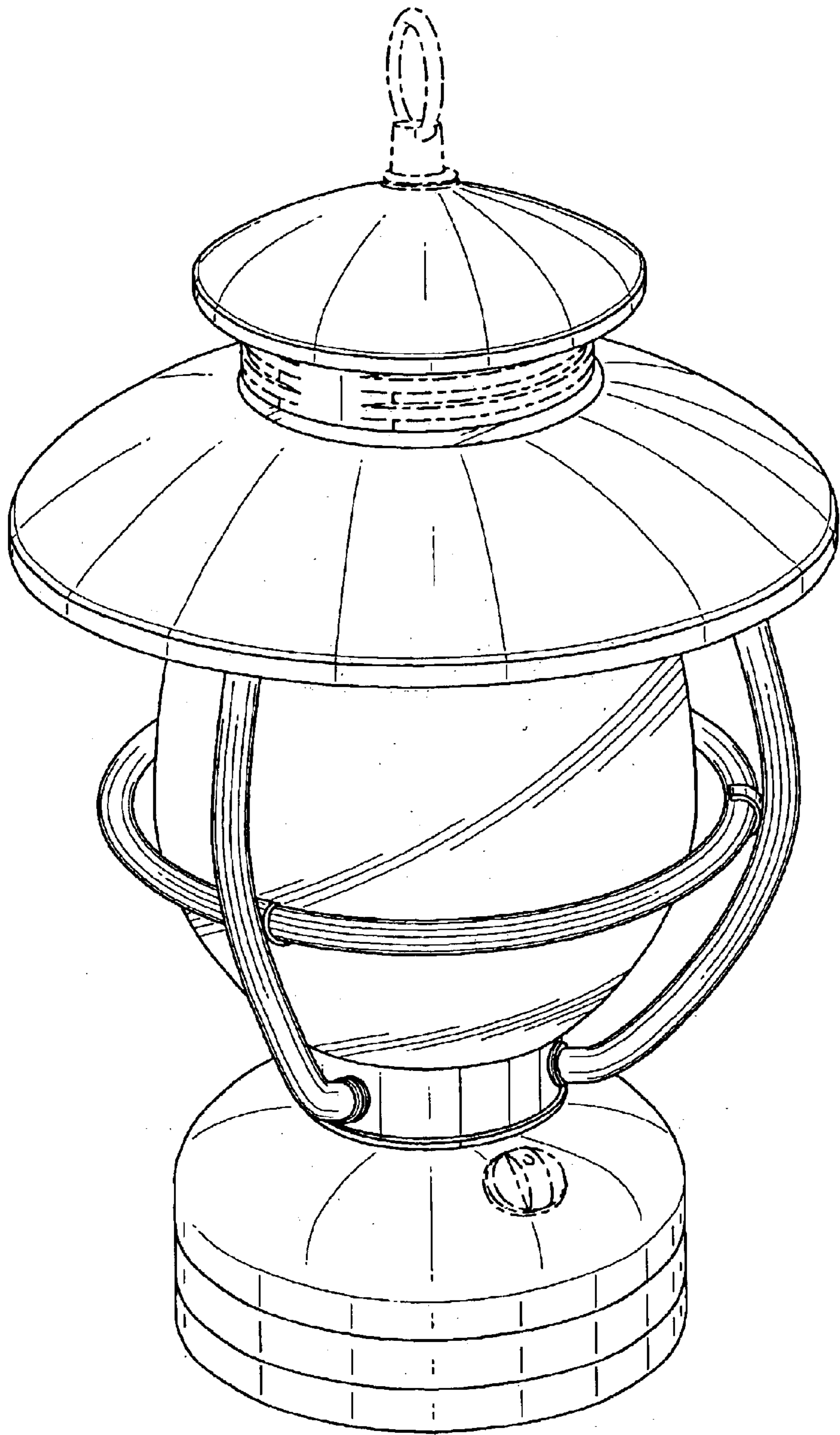


FIG. 8

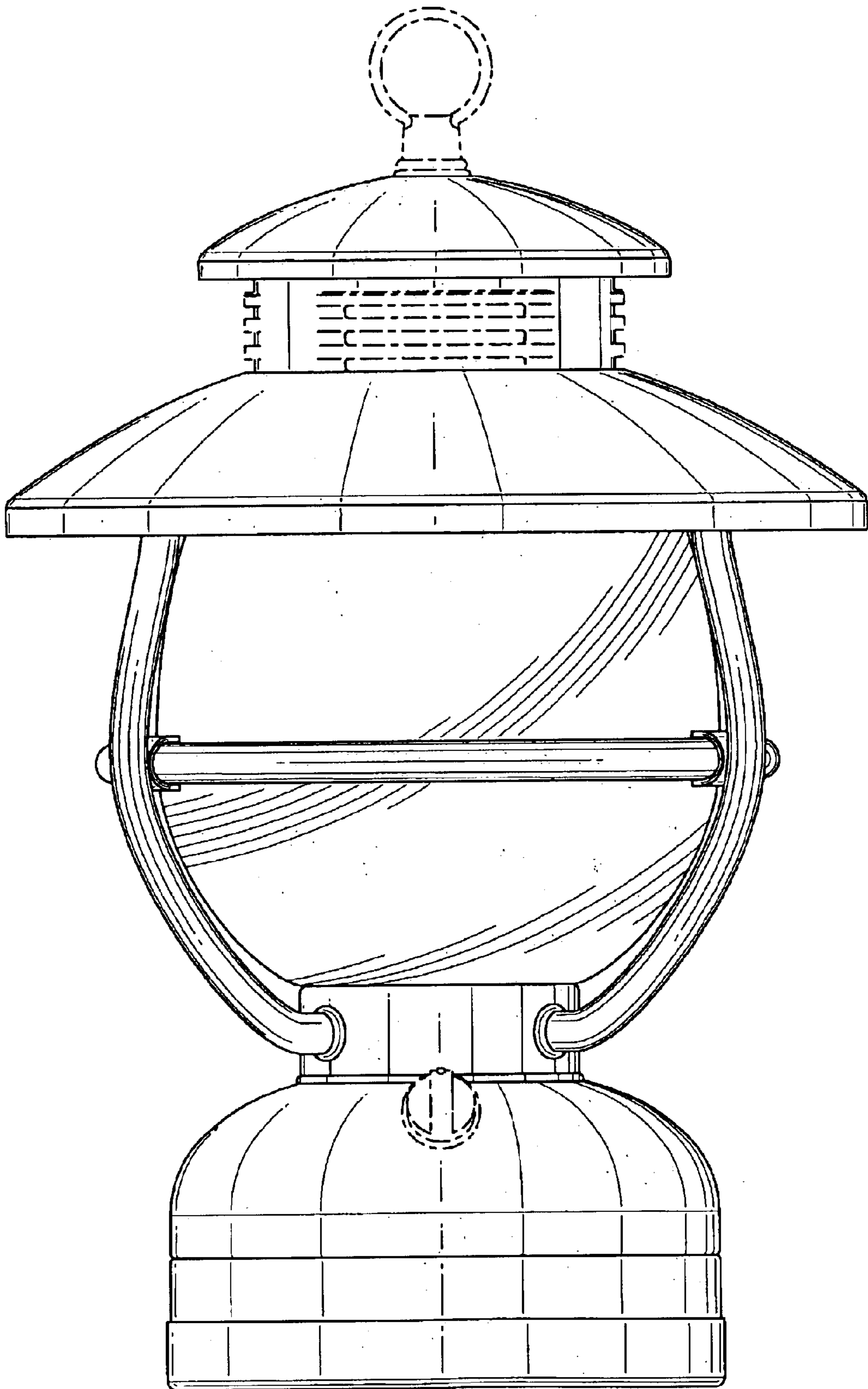


FIG. 9

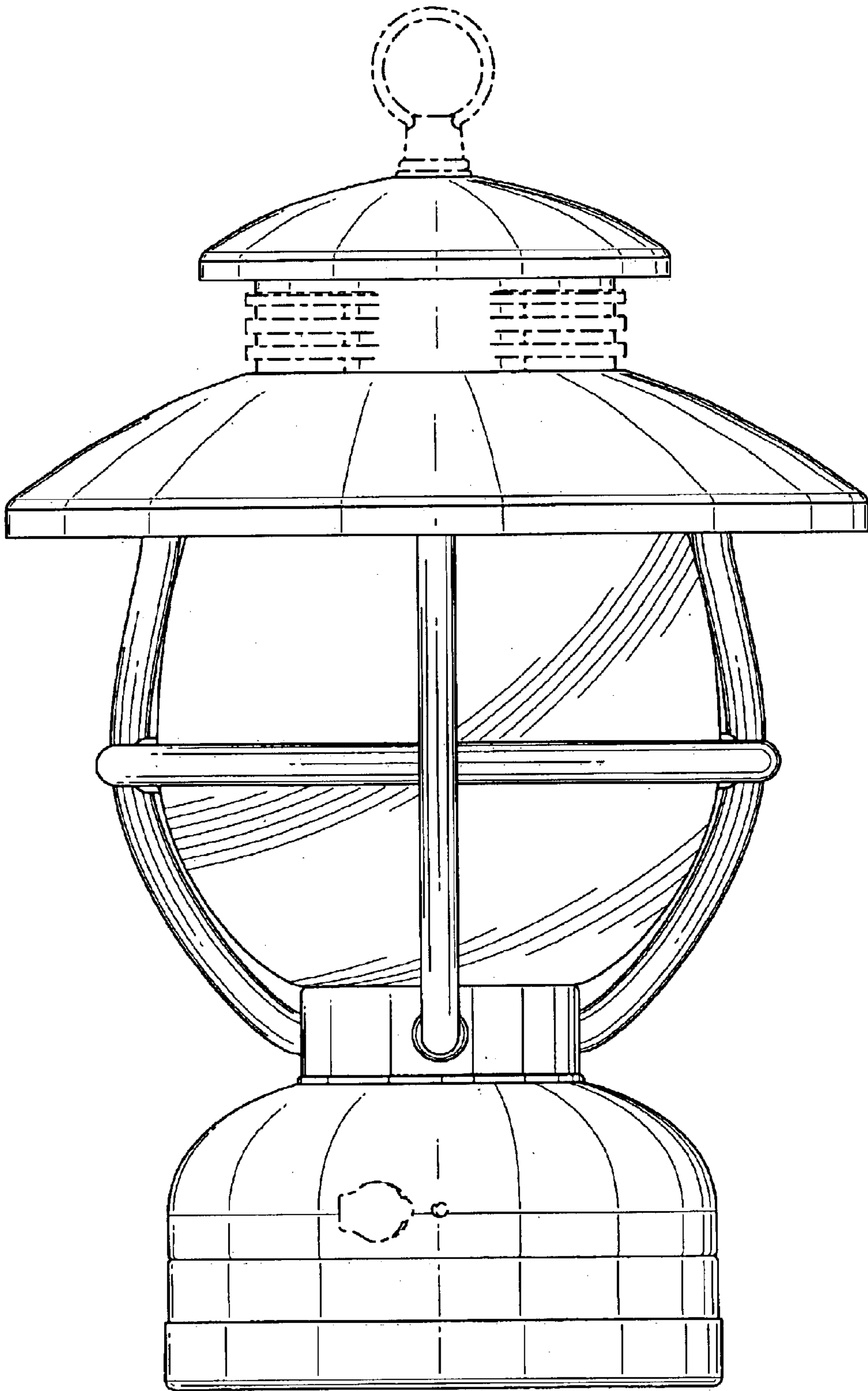


FIG. 10

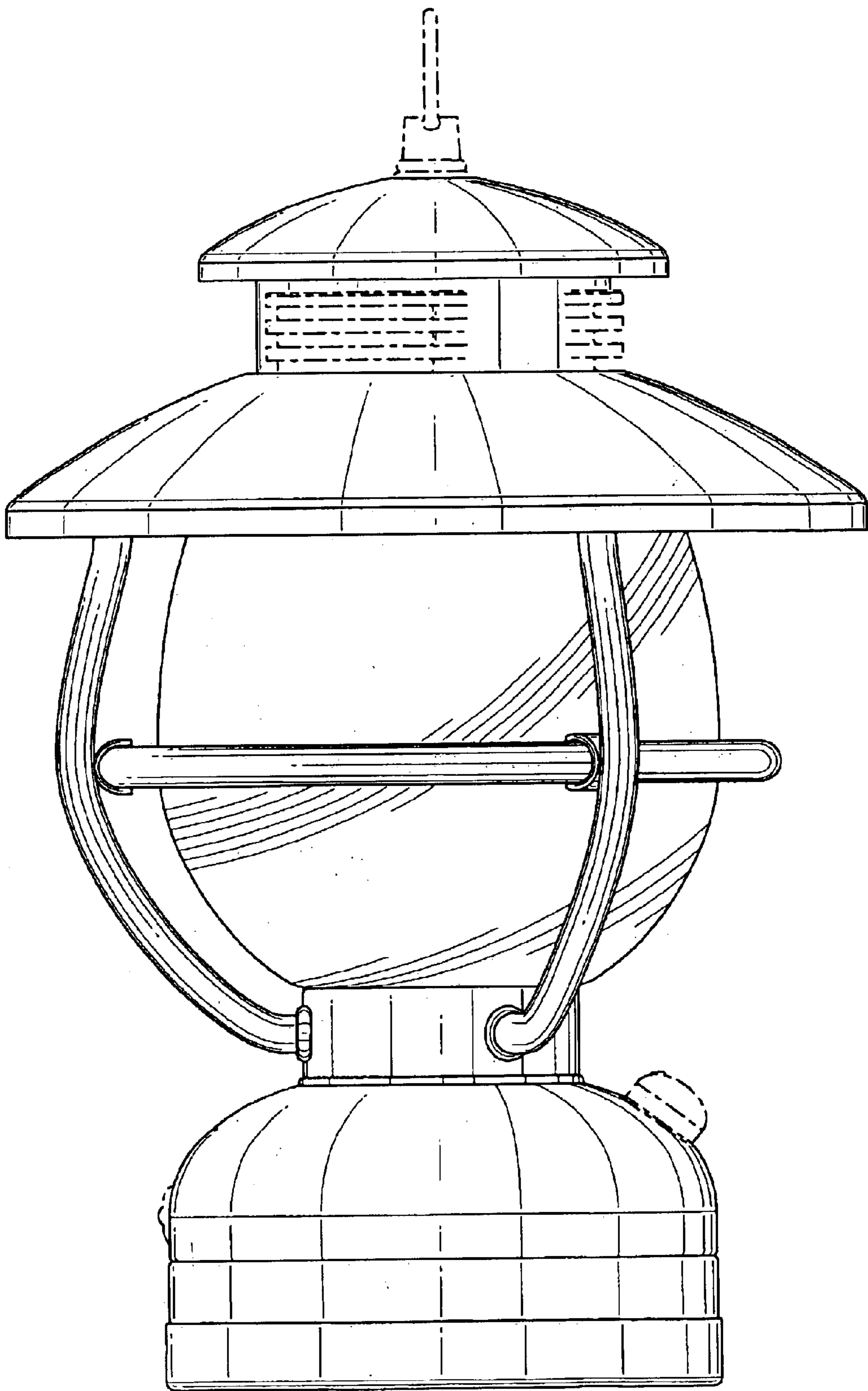


FIG. 11

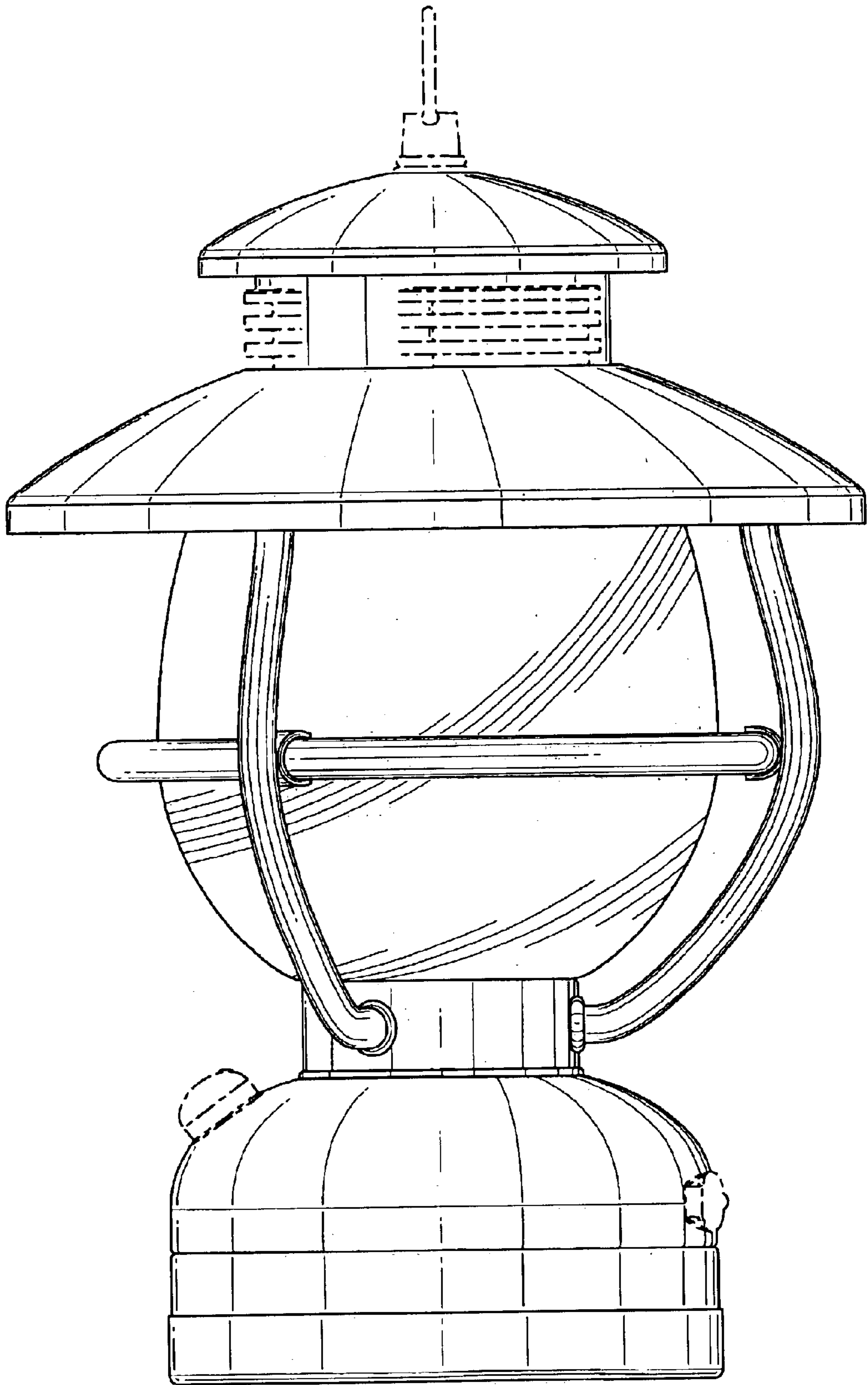


FIG. 12

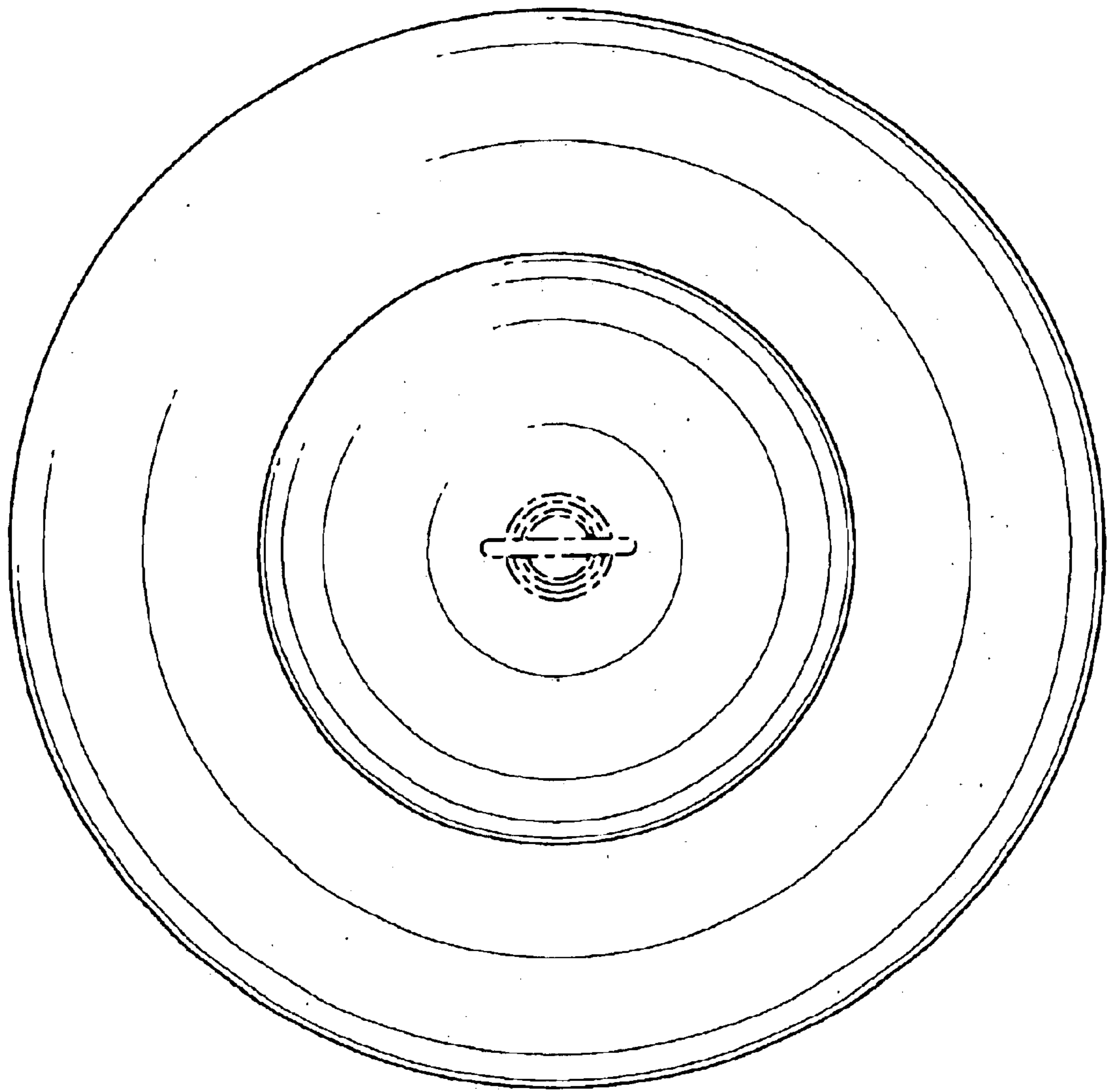


FIG. 13

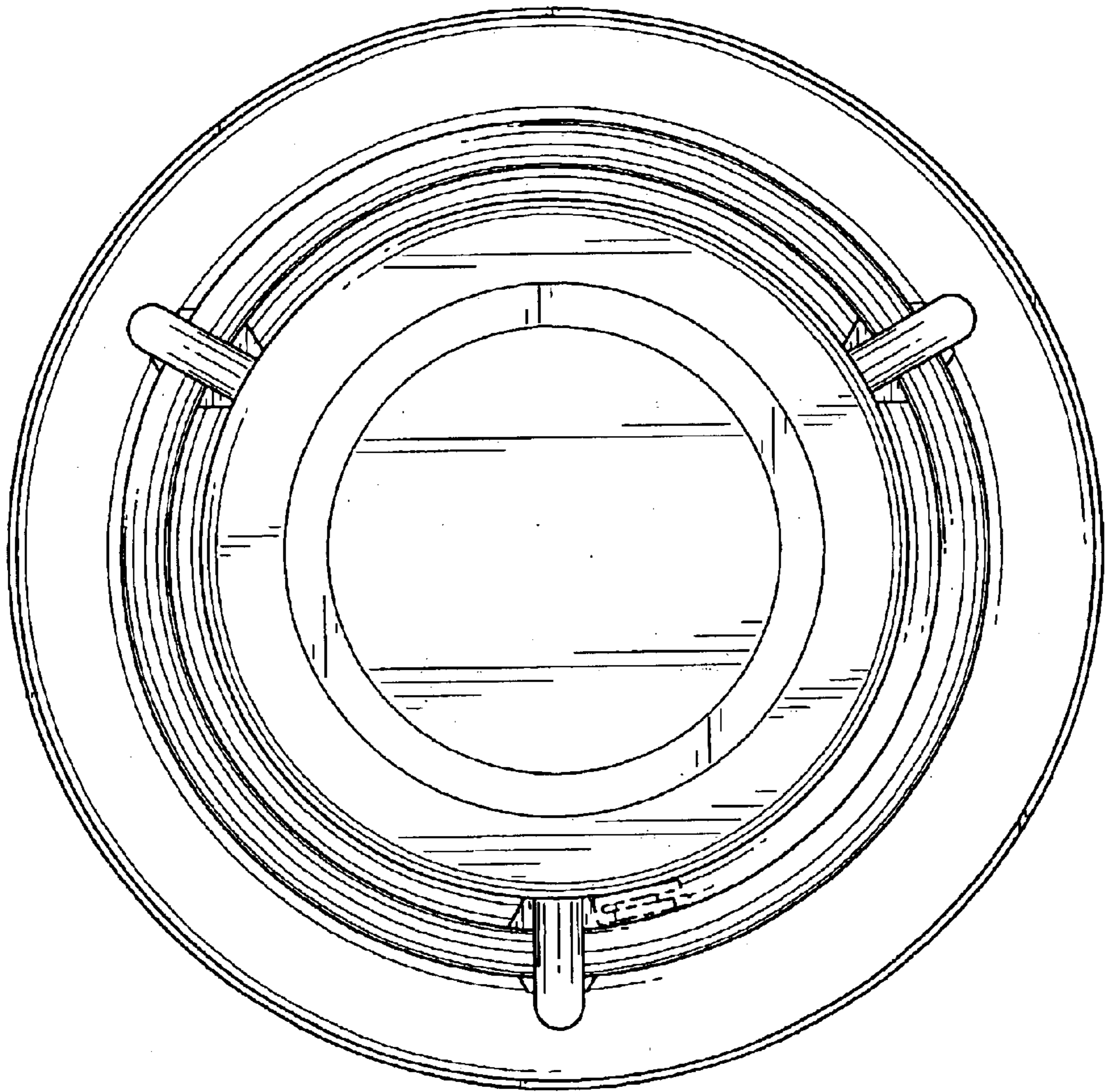


FIG. 14

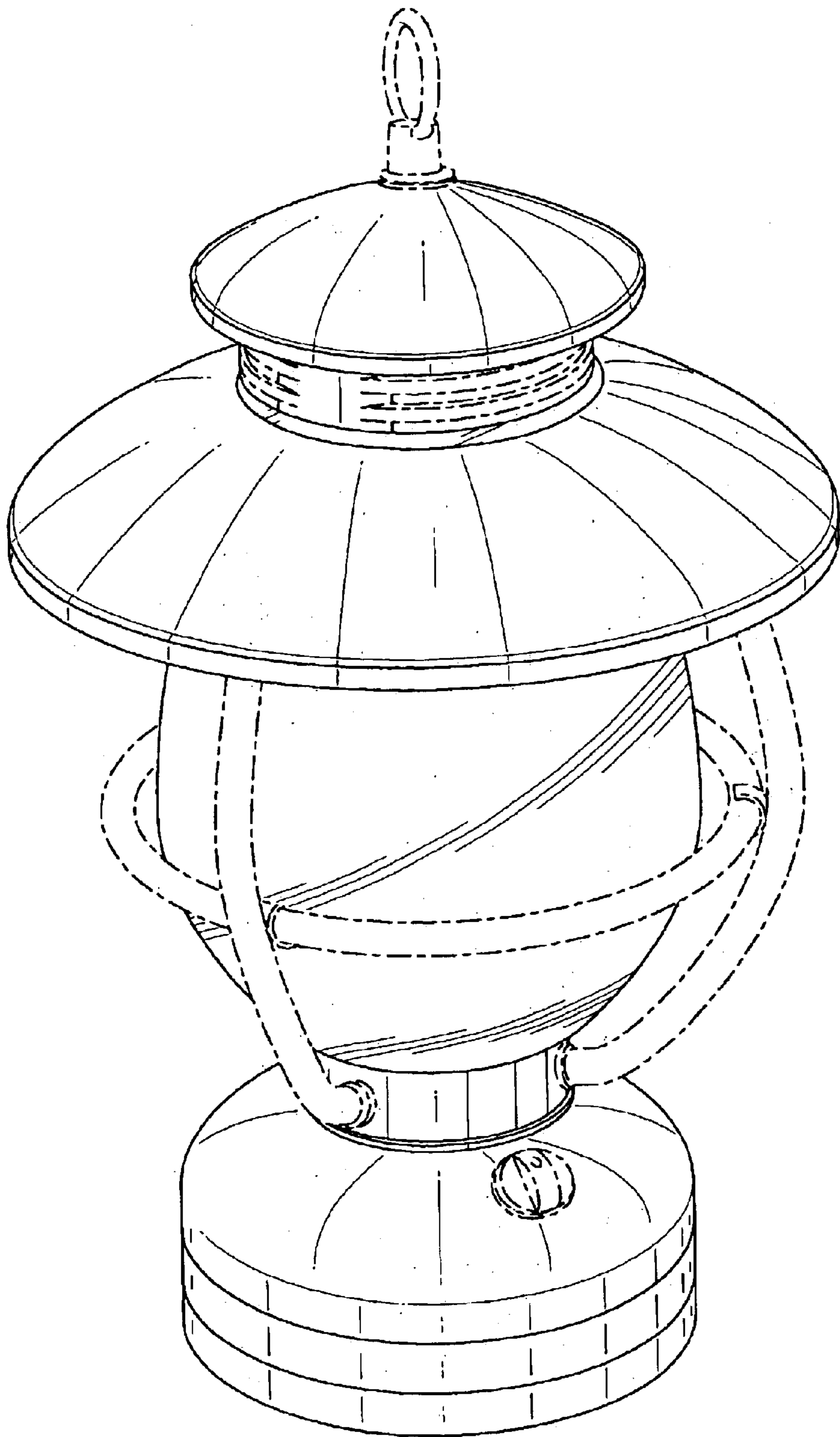


FIG. 15

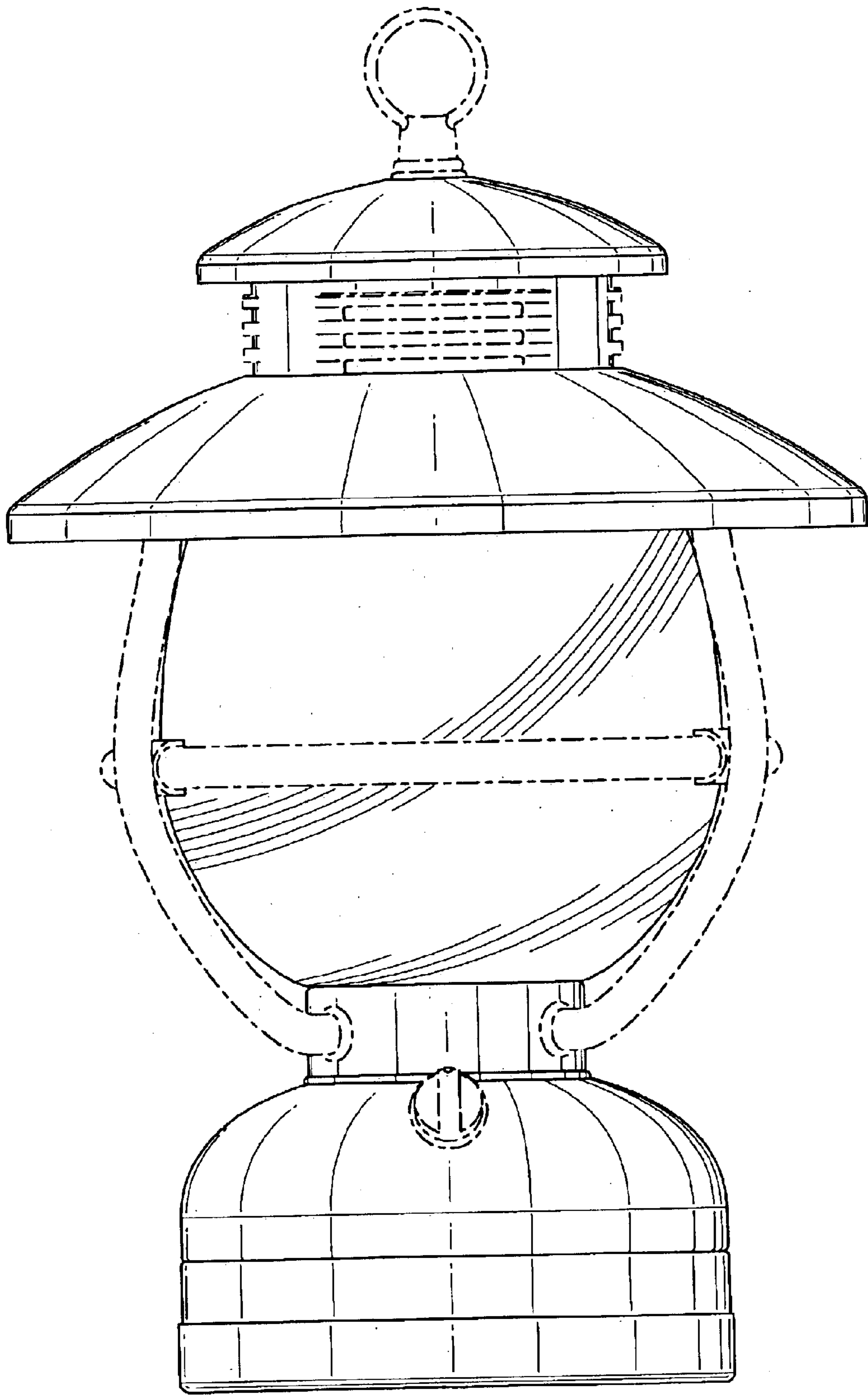


FIG. 16

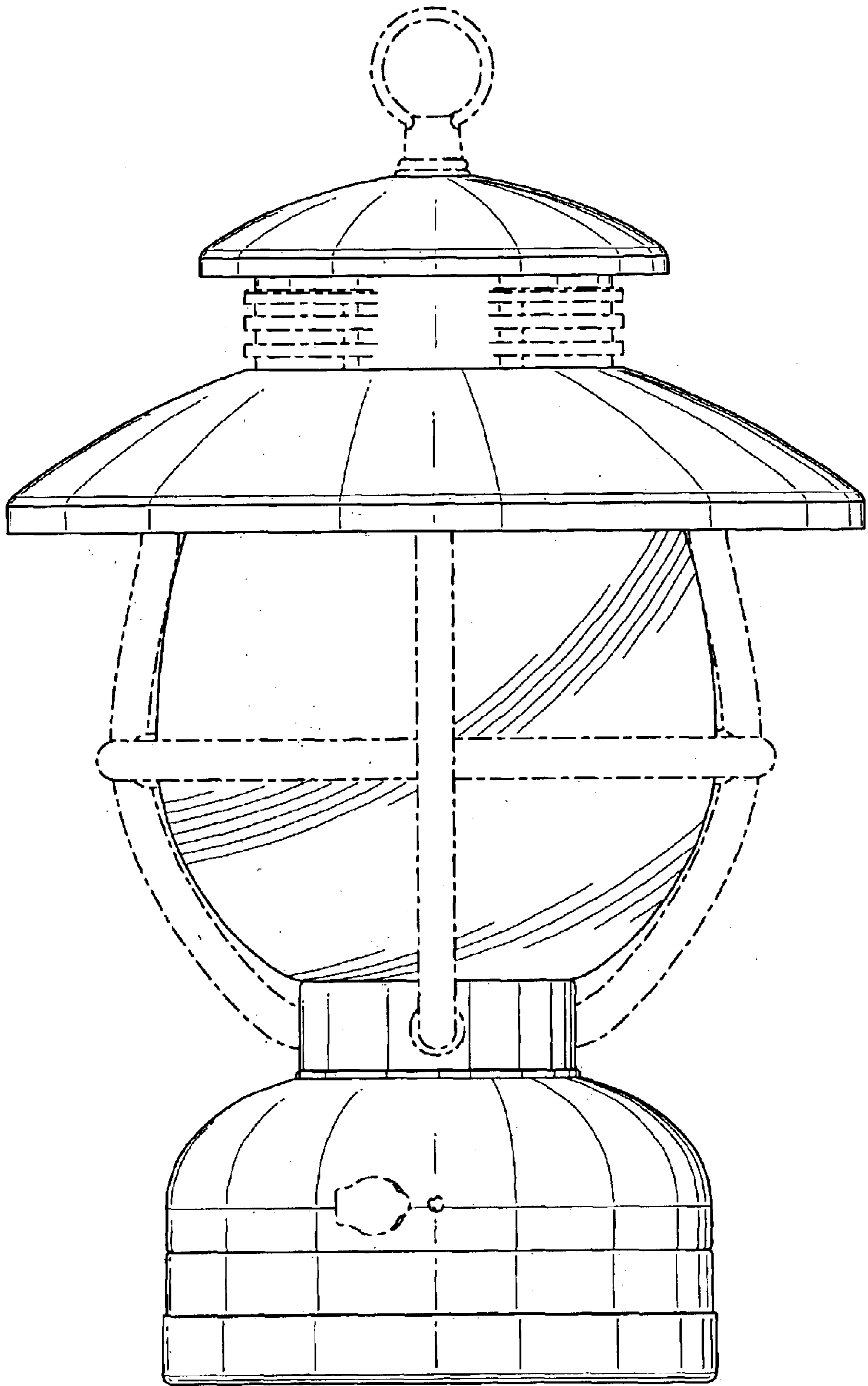


FIG. 17

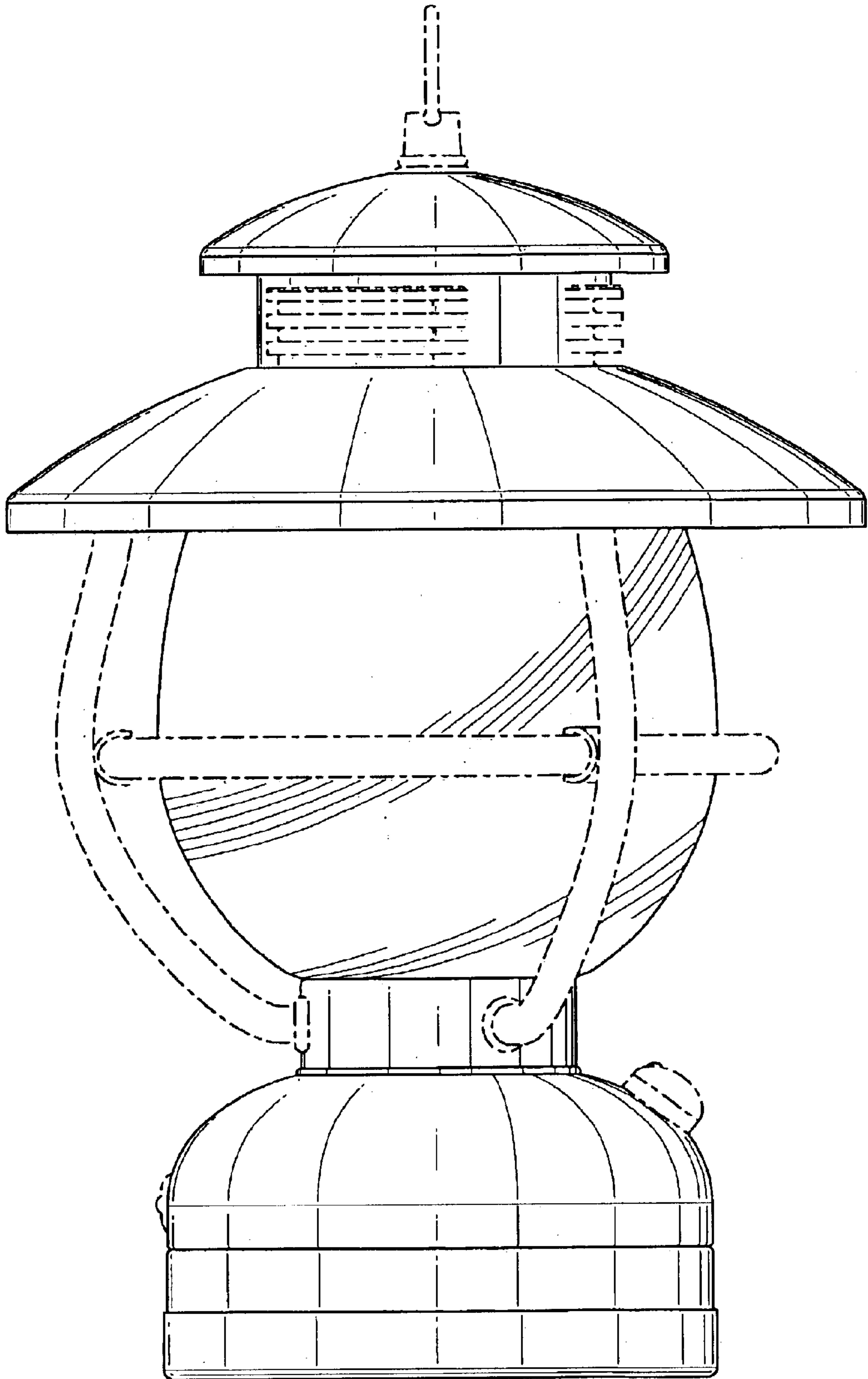


FIG. 18

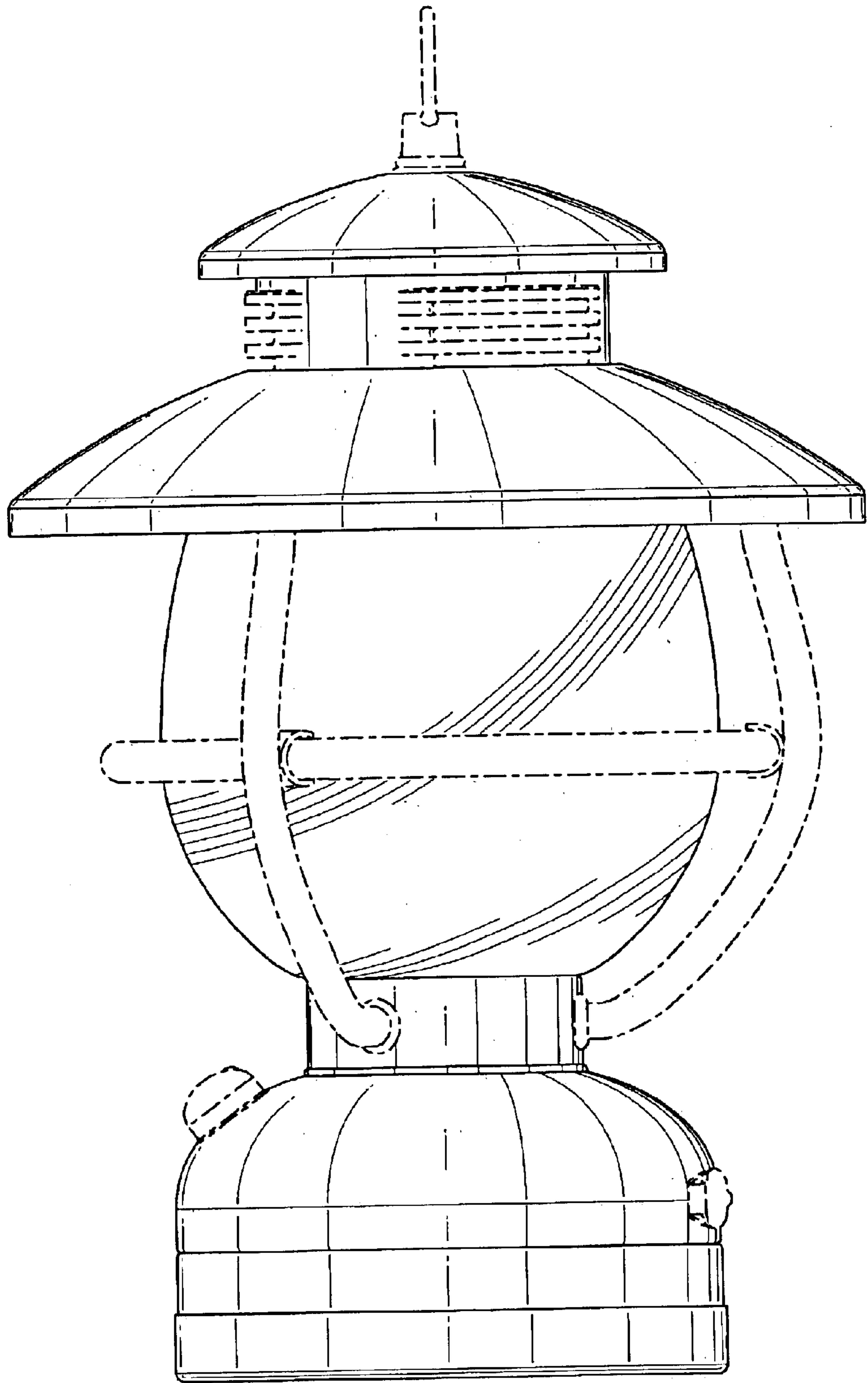


FIG. 19

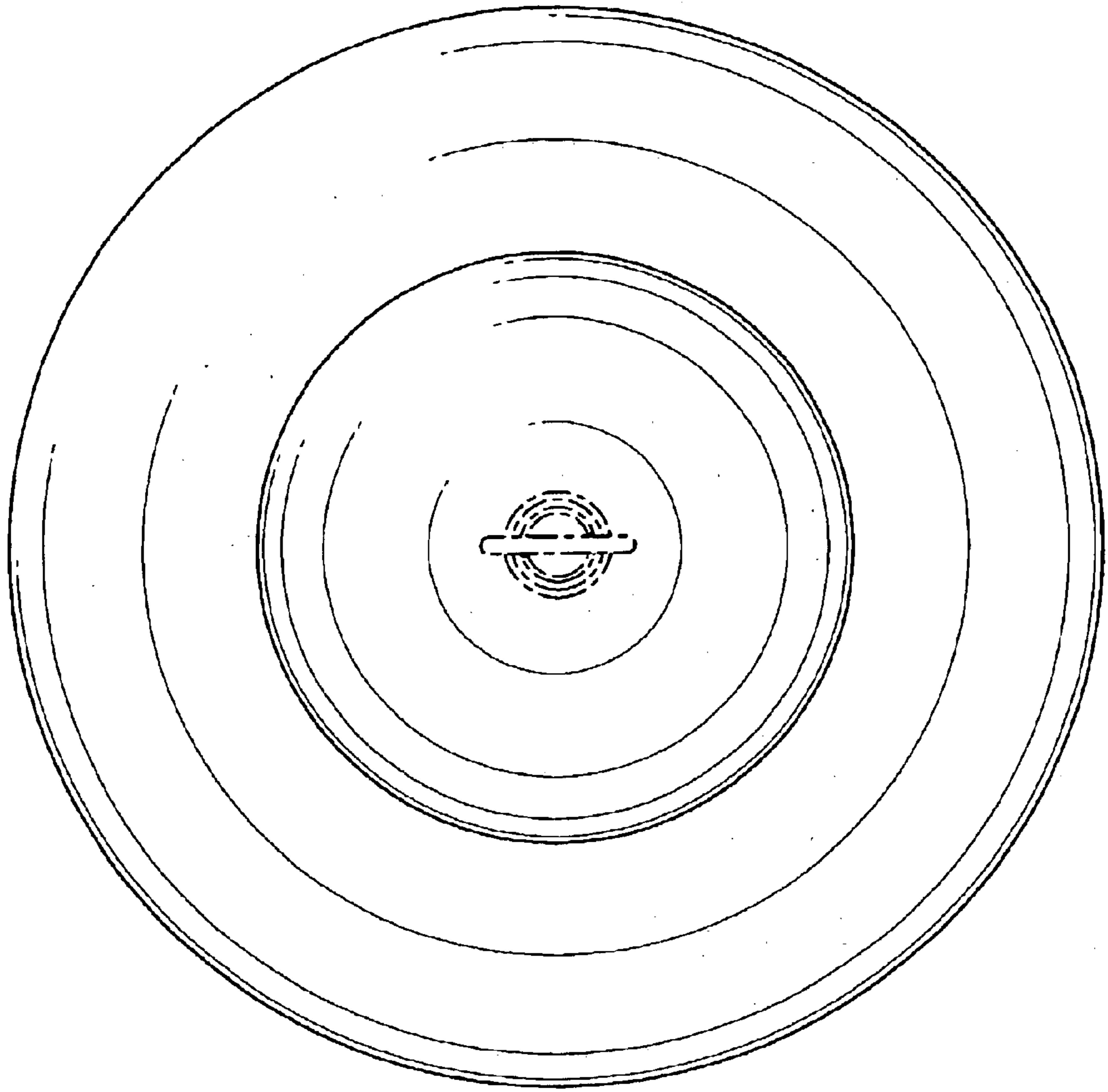


FIG. 20

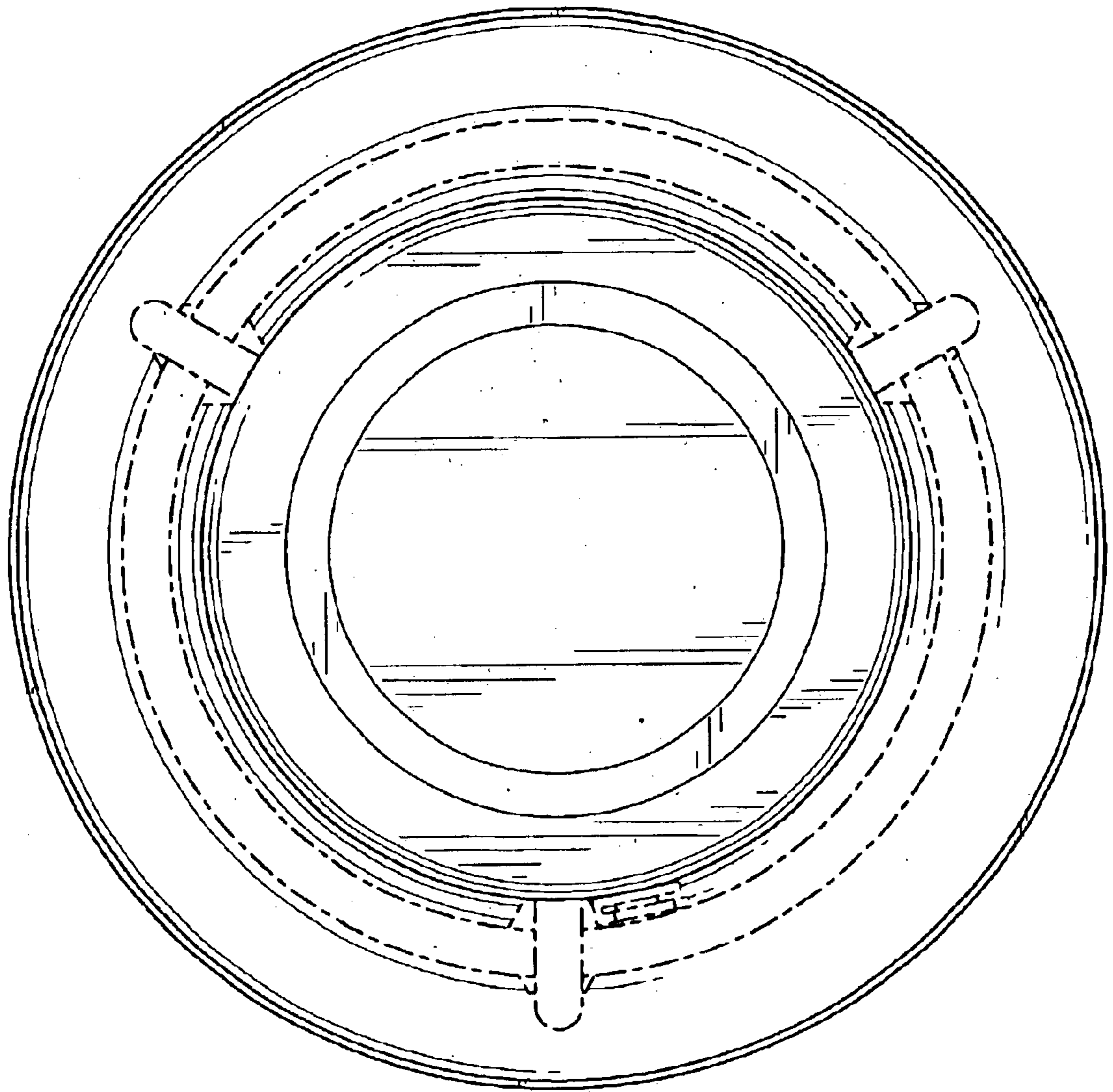


FIG. 21