



US00D491289S

(12) **United States Design Patent** (10) **Patent No.:** **US D491,289 S**
Krieger et al. (45) **Date of Patent:** **** Jun. 8, 2004**

(54) **RECHARGEABLE LIGHT FOR POWER OUTAGES**

(75) Inventors: **Michael Krieger**, Miami Beach, FL (US); **Kevin Ellsworth**, Hollywood, FL (US)

(73) Assignee: **Vector Products, Inc.**, Ft. Lauderdale, FL (US)

(**) Term: **14 Years**

(21) Appl. No.: **29/185,704**

(22) Filed: **Jul. 2, 2003**

Related U.S. Application Data

(63) Continuation of application No. 29/175,574, filed on Feb. 7, 2003, now Pat. No. Des. 483,503.

(51) **LOC (7) Cl.** **26-05**

(52) **U.S. Cl.** **D26/26**

(58) **Field of Search** D26/26, 125, 73; D23/367; 362/95, 226, 276, 282, 296, 300, 311, 347, 349, 355, 361, 248

(56) **References Cited**

U.S. PATENT DOCUMENTS

5,392,202 A * 2/1995 Herron 362/95
5,481,422 A * 1/1996 Okayama et al. 360/120

OTHER PUBLICATIONS

Hong Kong Enterprise vol. 10, 1999; p. 449, items SNL-500 and SNL-300.*

Hong Kong Enterprise vol. 10; 1999; p. 282; Model No. 808.*

* cited by examiner

Primary Examiner—Clare E. Heflin

(74) *Attorney, Agent, or Firm*—Venable LLP; Robert Kinberg, Esq.

(57) **CLAIM**

The ornamental design for a rechargeable light for power outages, as shown and described.

DESCRIPTION

FIG. 1 is a perspective view from the front-top-right side of the rechargeable light for power outages showing our new design;

FIG. 2 is a front view of the design shown in FIG. 1;

FIG. 3 is a rear view of the design shown in FIG. 1;

FIG. 4 is a left side view of the design shown in FIG. 1;

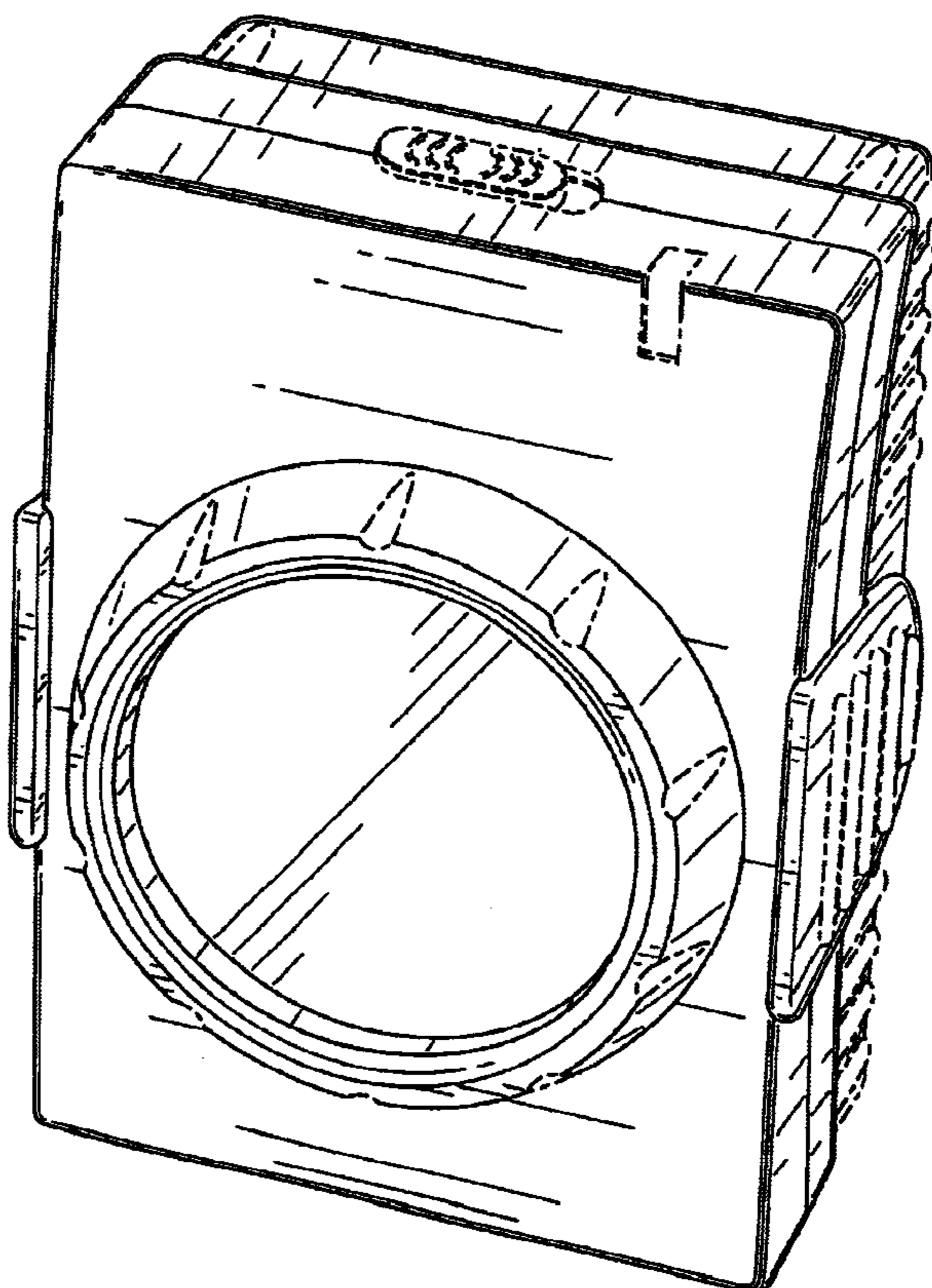
FIG. 5 is a right side view of the design shown in FIG. 1;

FIG. 6 is a top view of the design shown in FIG. 1; and,

FIG. 7 is a bottom view of the design shown in FIG. 1.

The broken lines immediately adjacent the shaded areas represent the bounds of the claimed design while all other broken lines are for illustrative purposes only; the broken lines form no part of the claimed design.

1 Claim, 7 Drawing Sheets



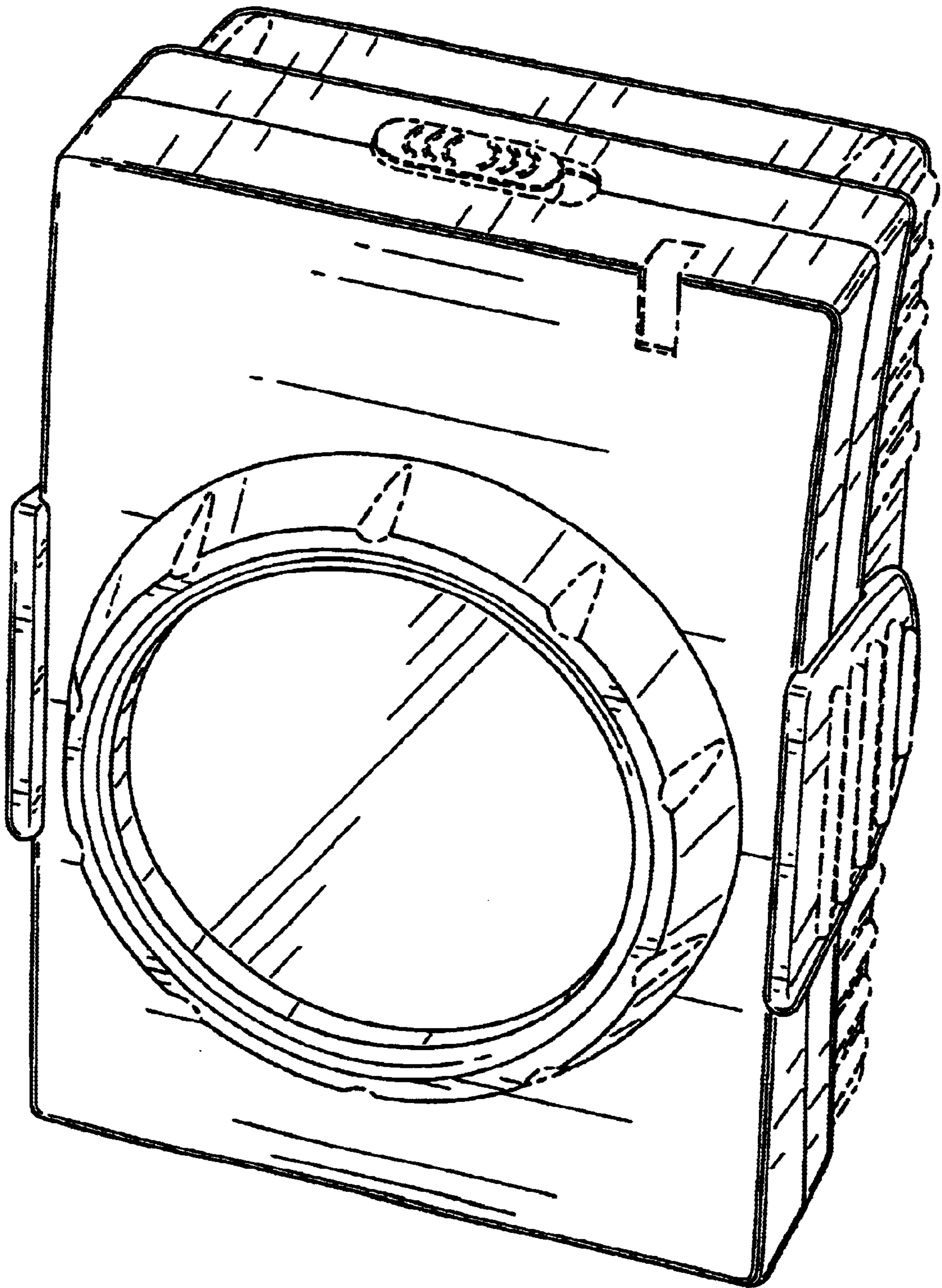


FIG. 1

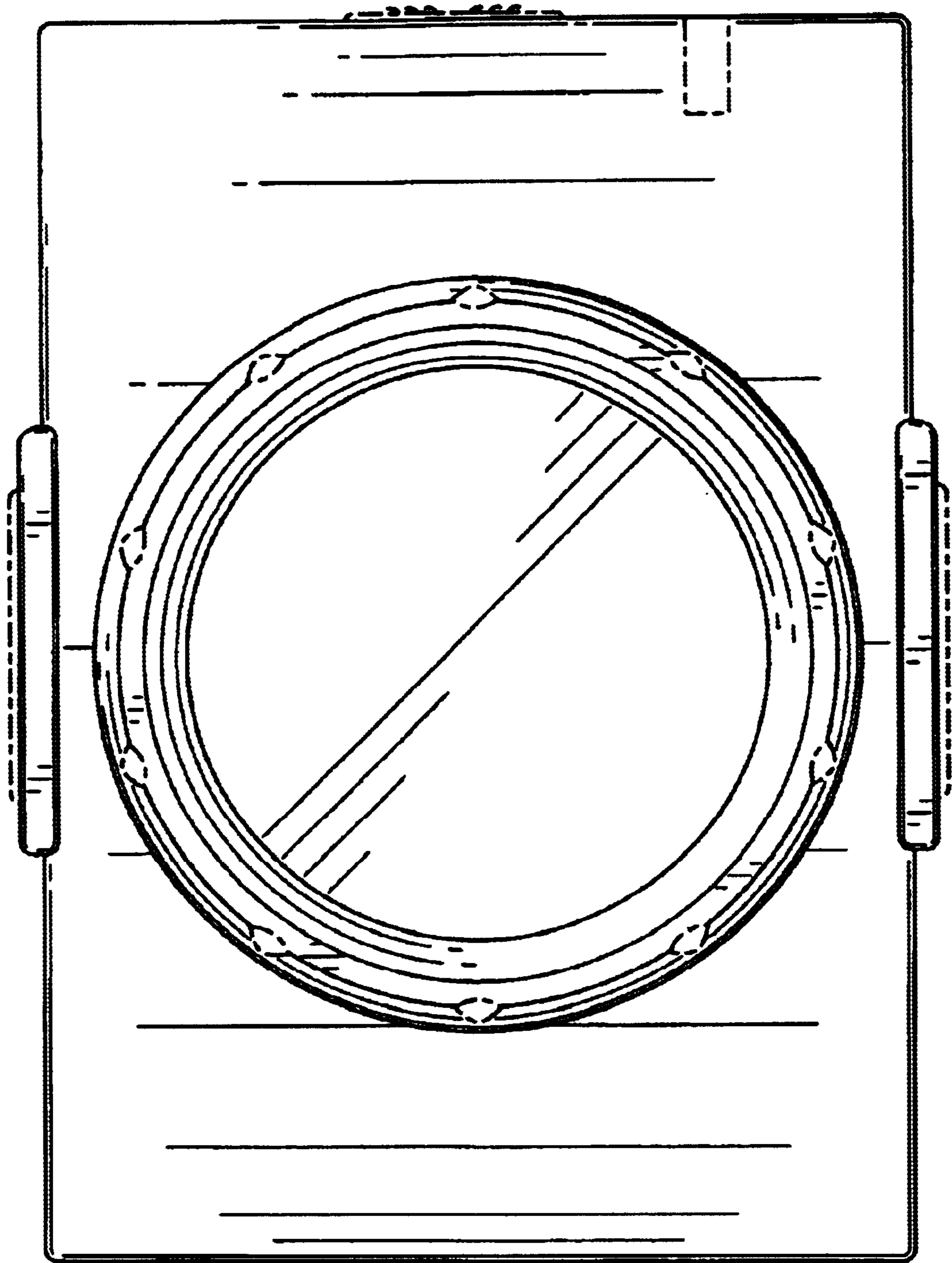


FIG. 2

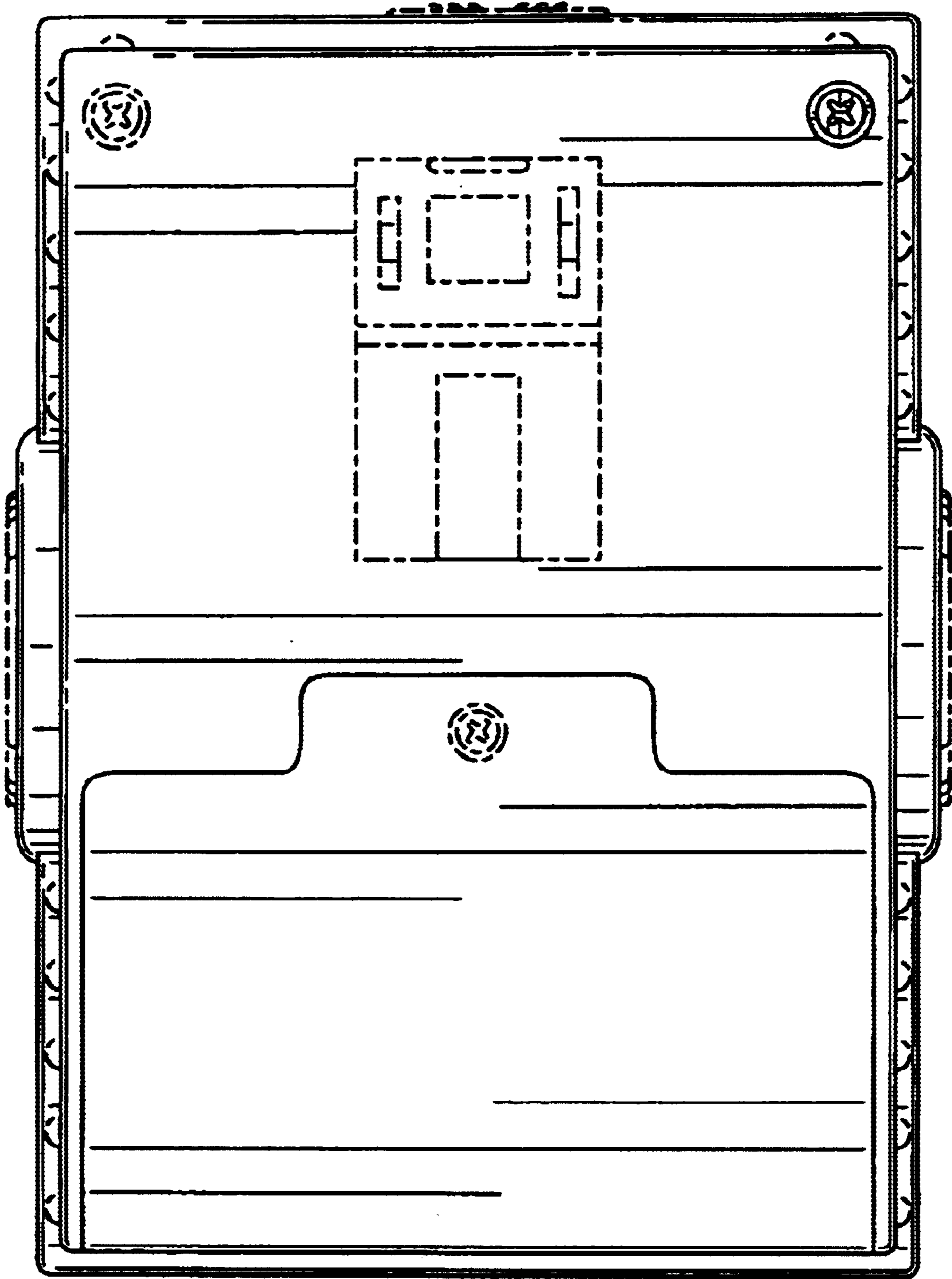


FIG. 3

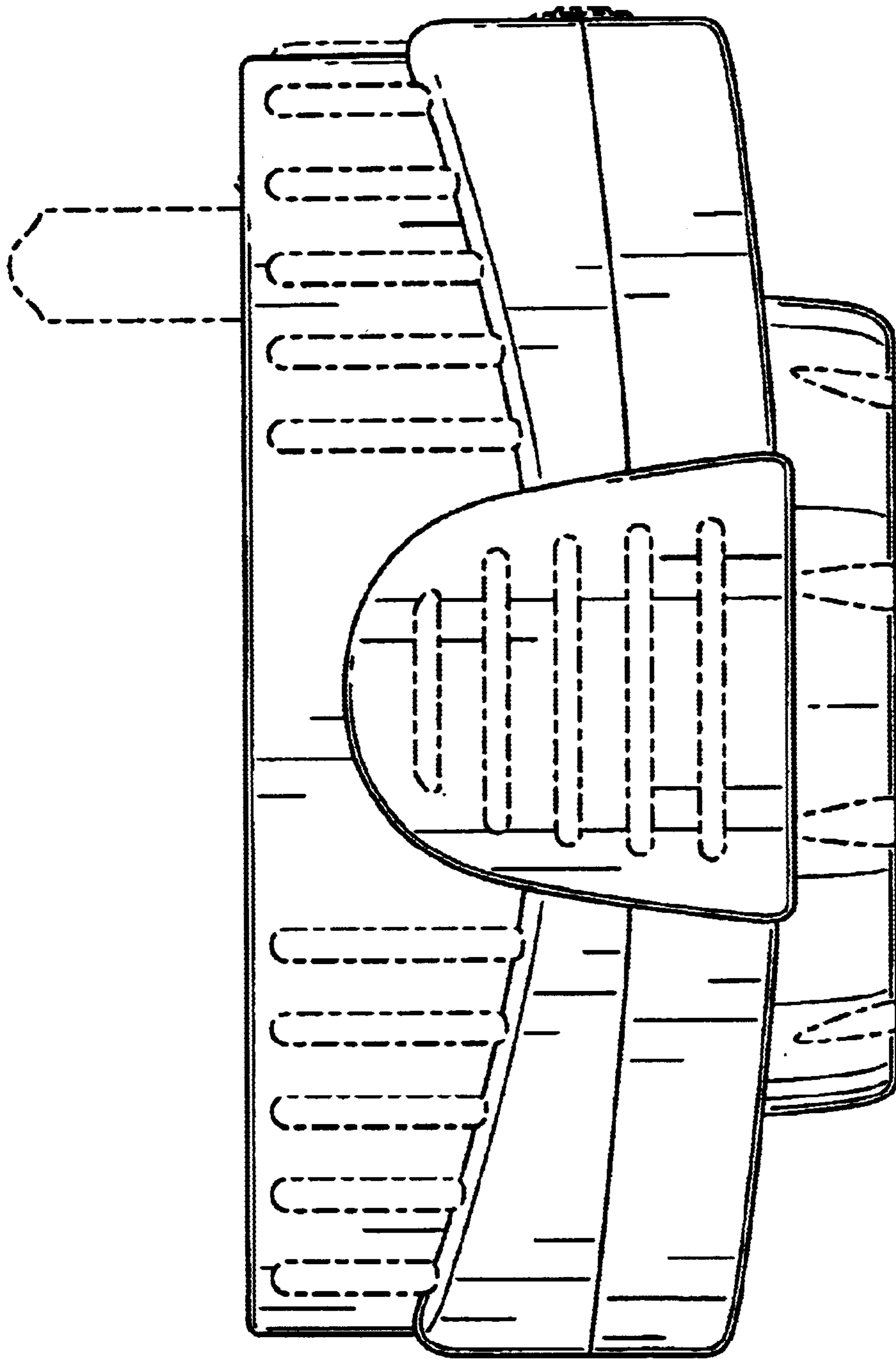


FIG. 4

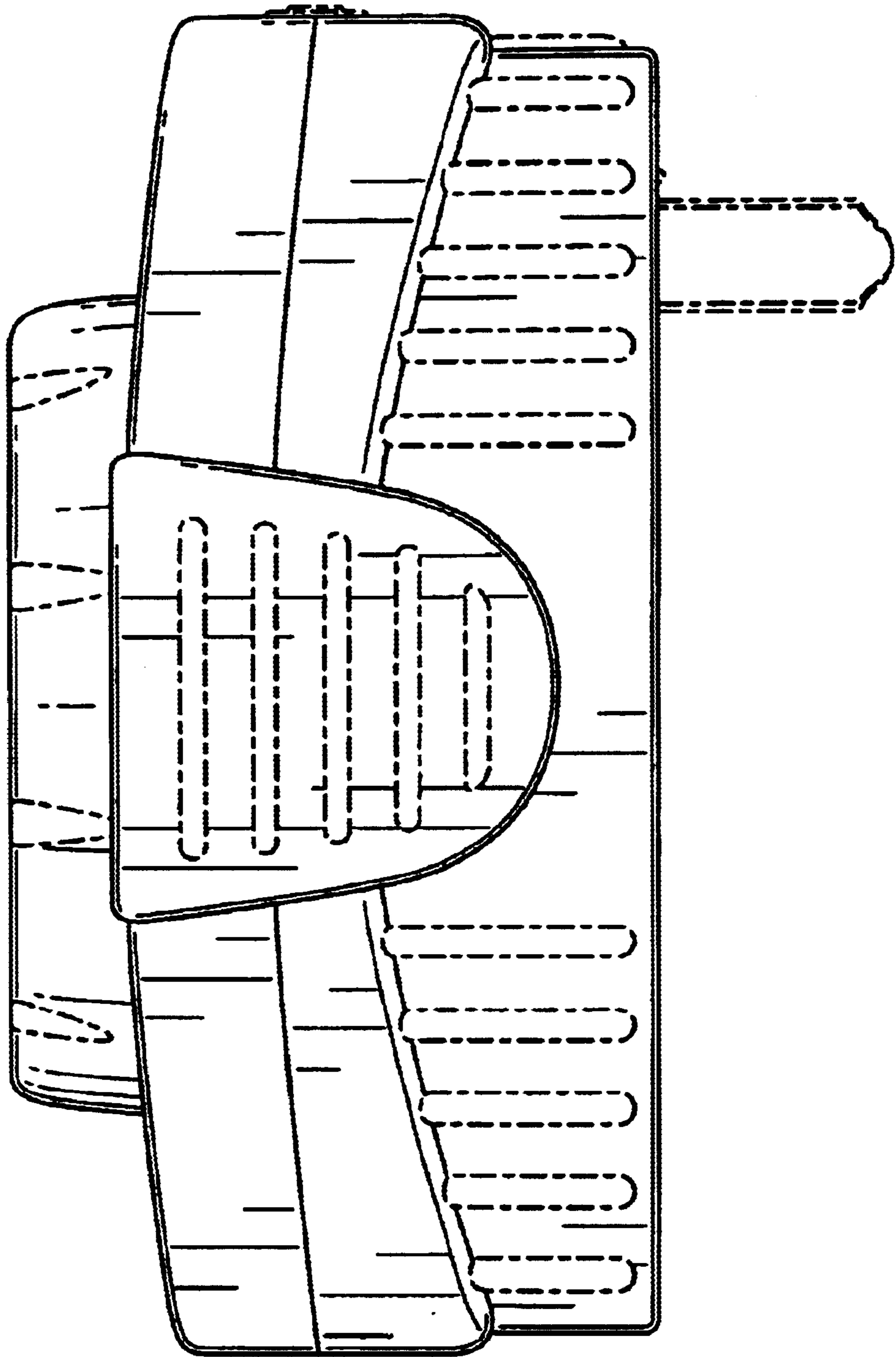


FIG. 5

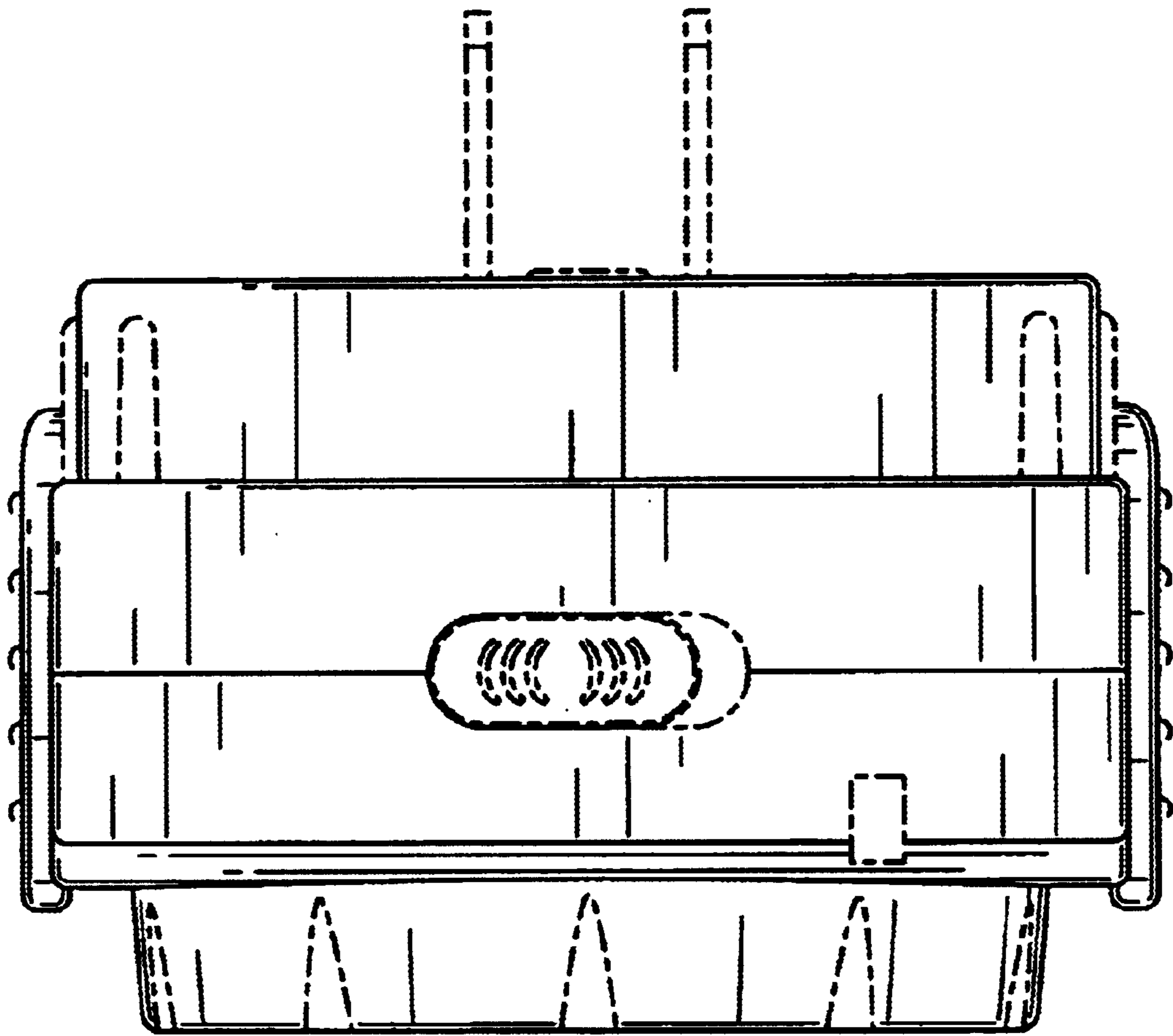


FIG. 6

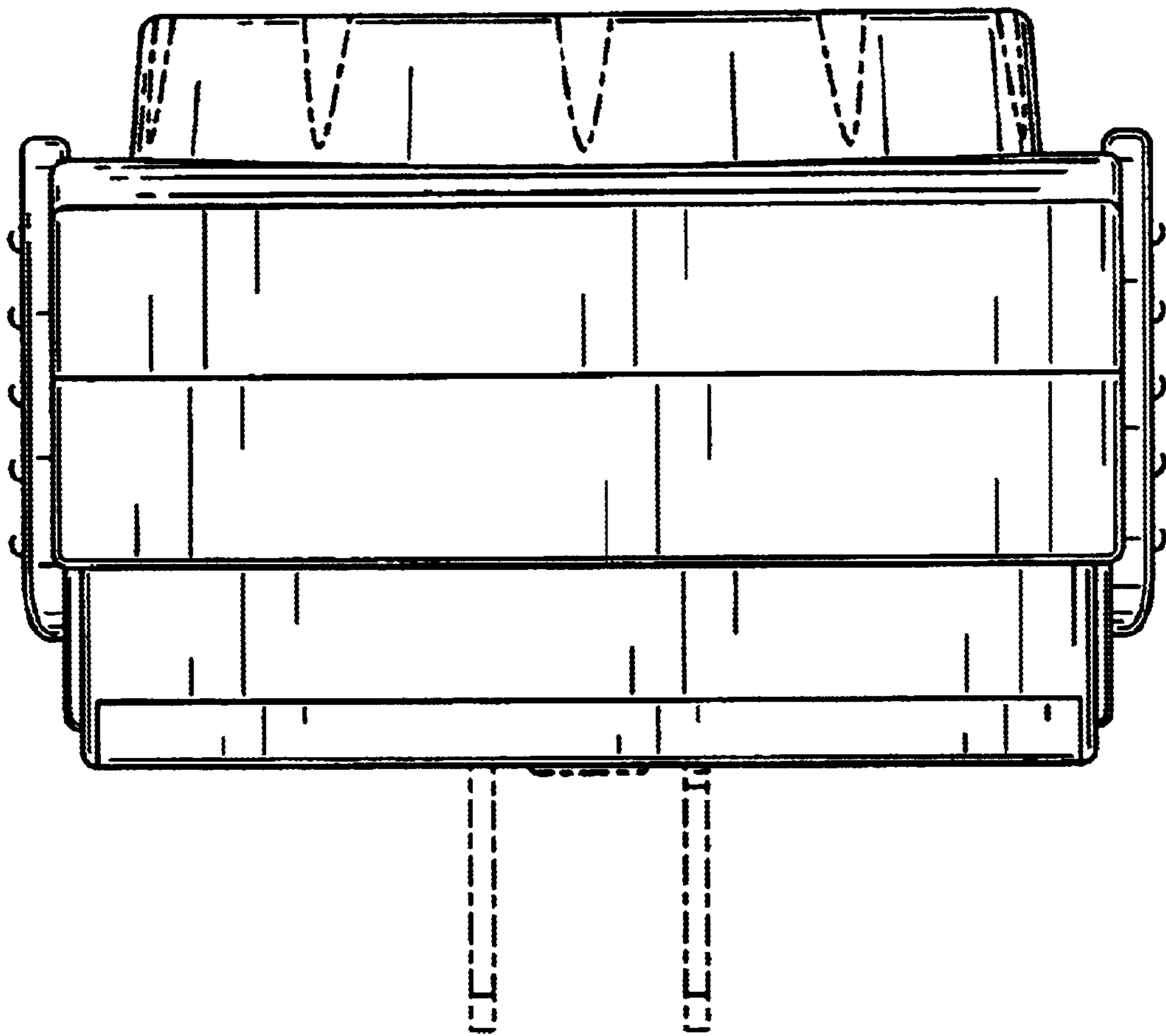


FIG. 7