



US00D491279S

(12) **United States Design Patent**  
**Barnett**

(10) **Patent No.:** **US D491,279 S**

(45) **Date of Patent:** **\*\* Jun. 8, 2004**

(54) **EXTRUSION OR SIMILAR ARTICLE**

(76) Inventor: **Harry Barnett**, 2 E. Oak, Chicago, IL  
(US) 60611

(\*\*) Term: **14 Years**

(21) Appl. No.: **29/171,869**

(22) Filed: **Dec. 2, 2002**

**Related U.S. Application Data**

(63) Continuation-in-part of application No. 09/870,247, filed on May 30, 2001, and a continuation-in-part of application No. 29/161,274, filed on May 25, 2002, now Pat. No. Des. 469,886.

(51) **LOC (7) Cl.** ..... **25-01**

(52) **U.S. Cl.** ..... **D25/119**

(58) **Field of Search** ..... D25/119, 136;  
52/716.1, 716.4, 716.8, 717.01, 718.01,  
718.04, 717.03, 717.06

(56) **References Cited**

**U.S. PATENT DOCUMENTS**

4,706,431 A \* 11/1987 Corvese ..... 52/716.1  
D316,299 S \* 4/1991 Hurlburt ..... D25/119

\* cited by examiner

*Primary Examiner*—Doris Clark

(74) *Attorney, Agent, or Firm*—Michael G. Berkman

(57) **CLAIM**

The ornamental design for an extrusion or similar article, as shown and described.

**DESCRIPTION**

FIG. 1 is a perspective view of an extrusion of similar article showing my new design;

FIG. 2 is an end view thereof;

FIG. 3 is a front view thereof;

FIG. 4 is a rear view thereof;

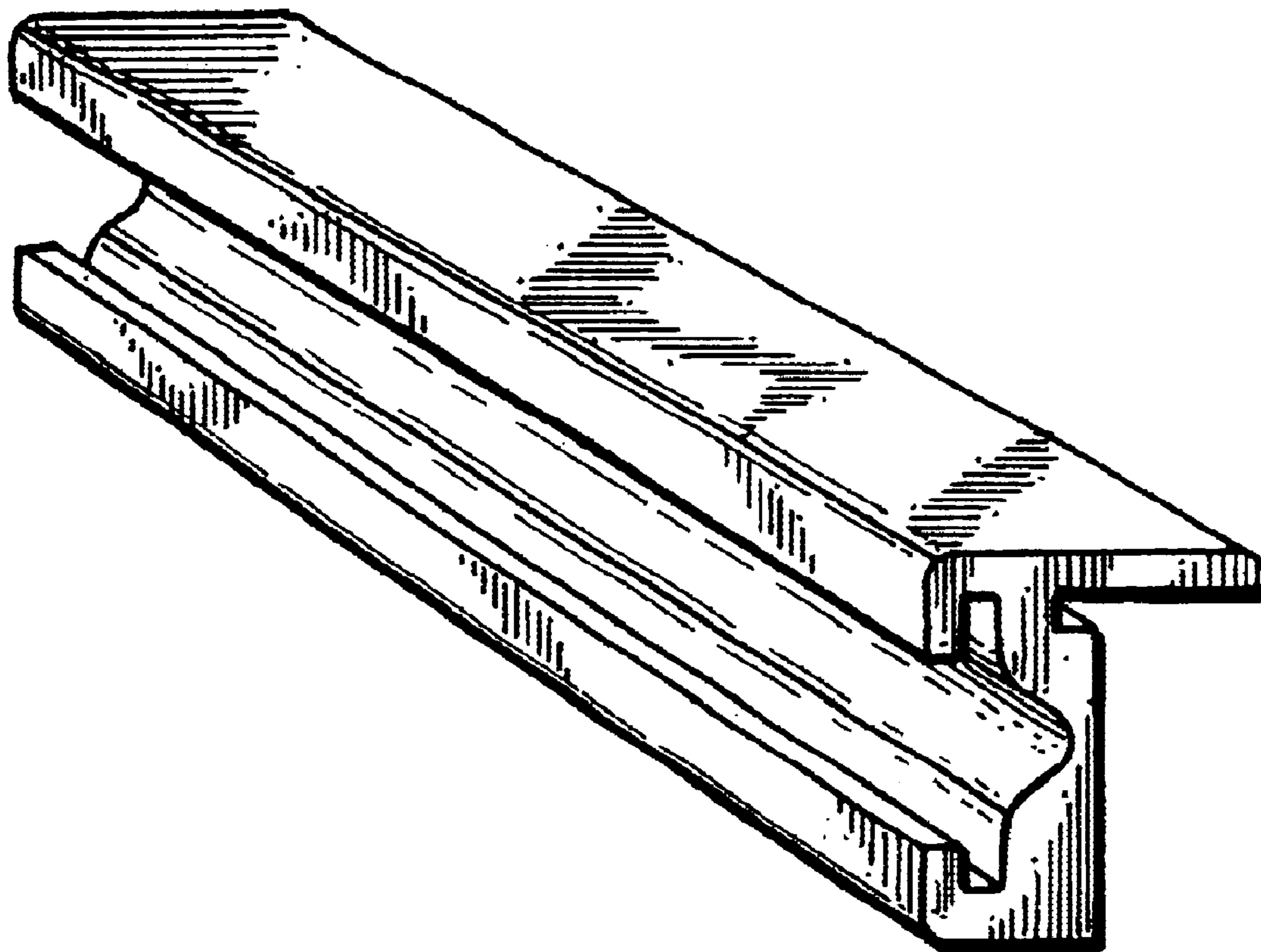
FIG. 5 is a top view thereof;

FIG. 6 is a bottom view thereof;

FIG. 7 is a perspective view of the extrusion or similar article of FIG. 1, but showing a removable strip optionally inserted into to be carried in the extrusion or similar article along a lineal expanse thereof The broke lines showing a removable strip is for illustrative purposes only and form no part of the claimed design; and,

FIG. 8 is a perspective view of the extrusion or similar article of FIG. 1 and showing yet another removable strip disposed in an alternate disposition in the extrusion or similar article The broken lines showing a removable strip is for illustrative purposes only and form no part of the claimed design.

**1 Claim, 3 Drawing Sheets**



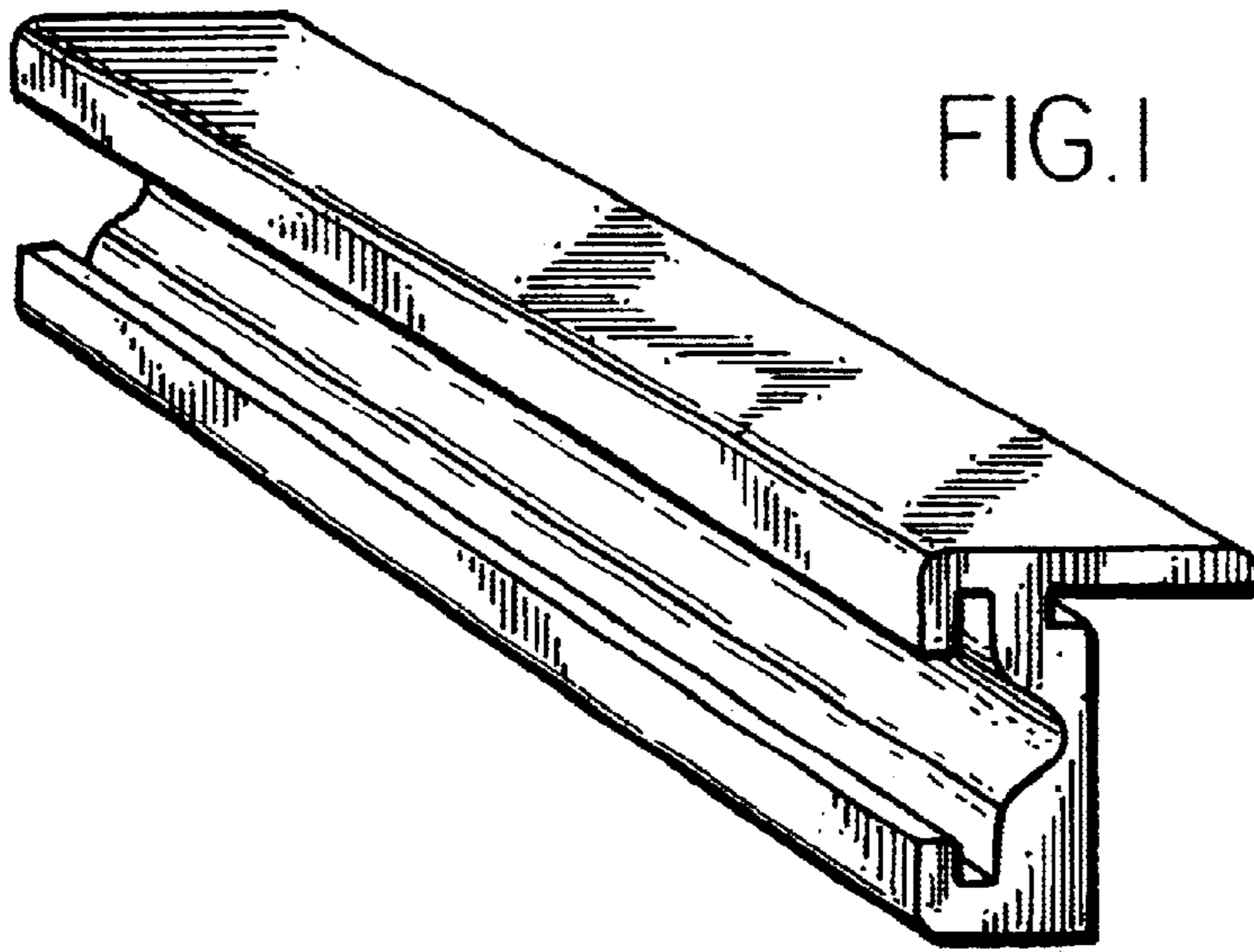


FIG. 1

FIG. 2

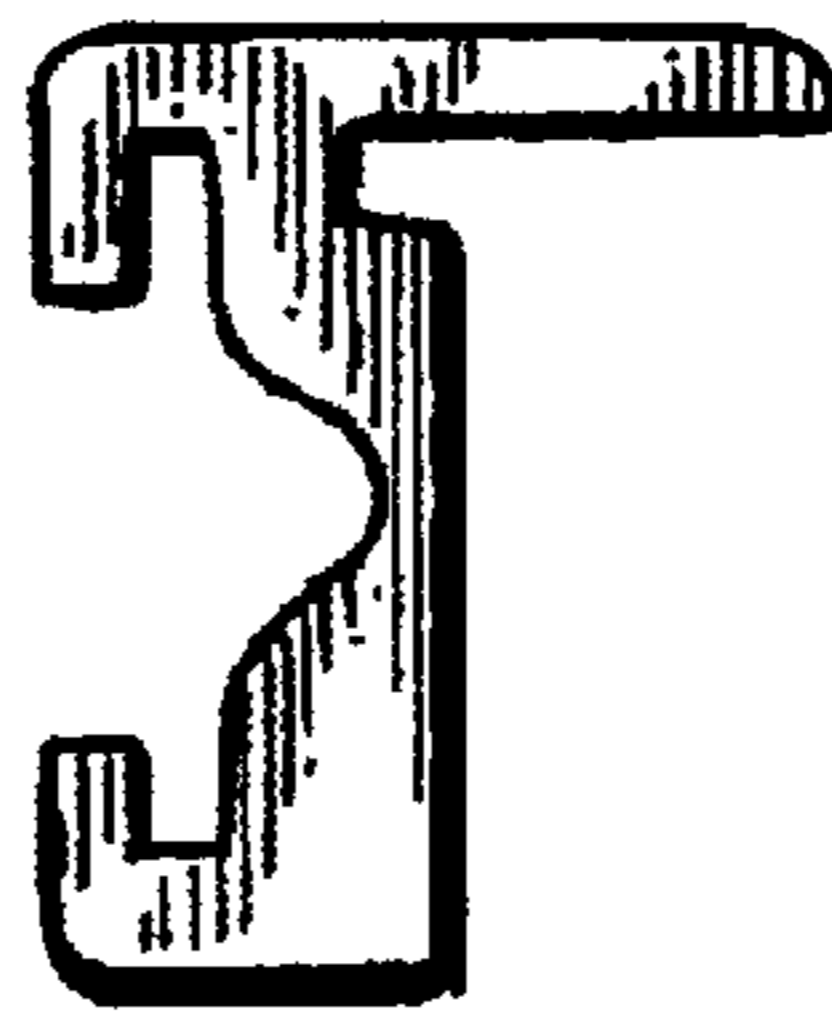


FIG. 3

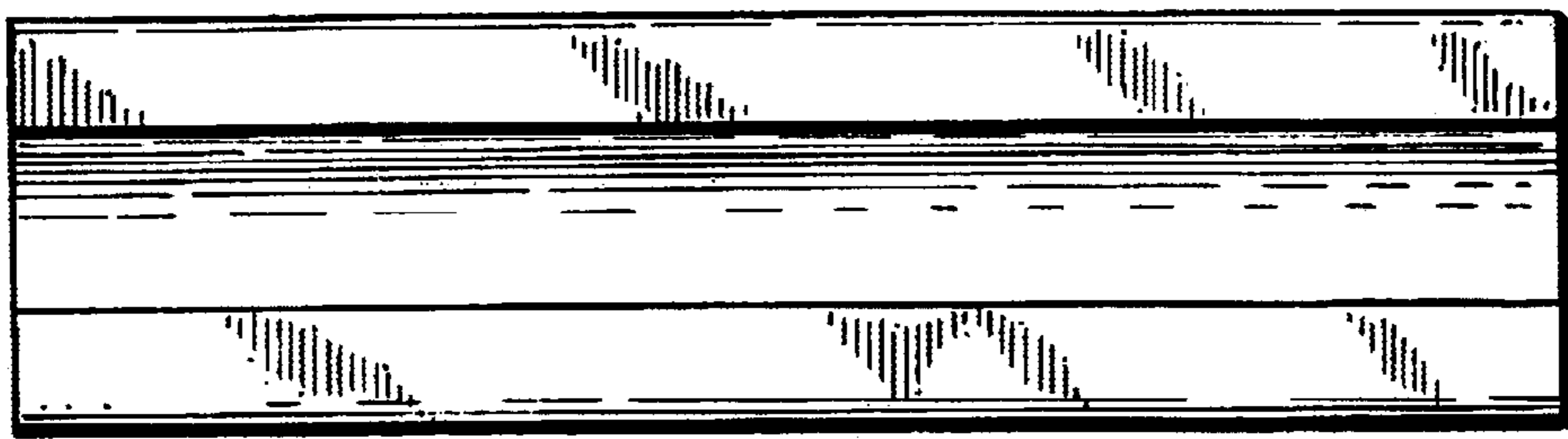


FIG. 4



FIG. 5

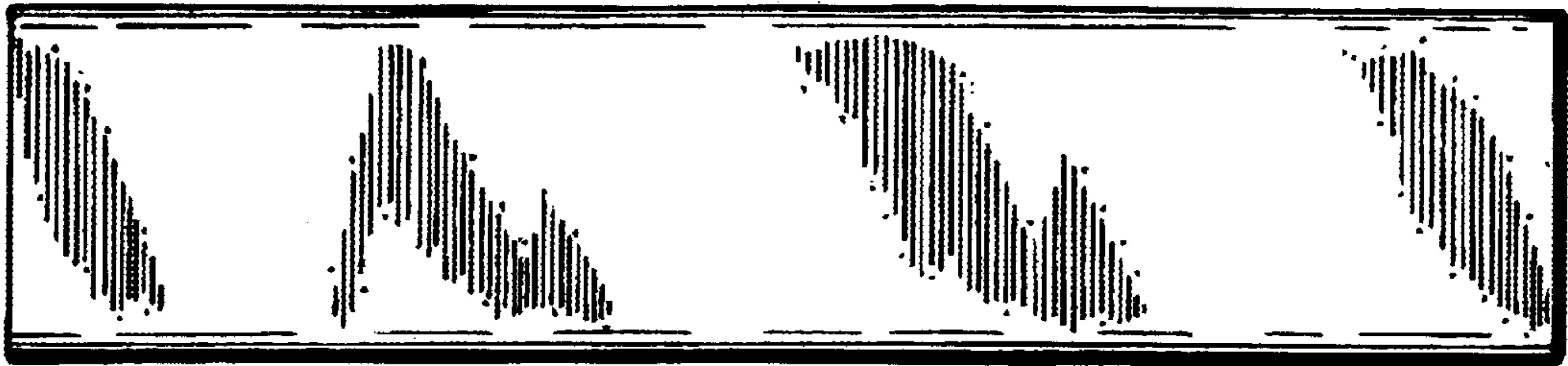


FIG. 6

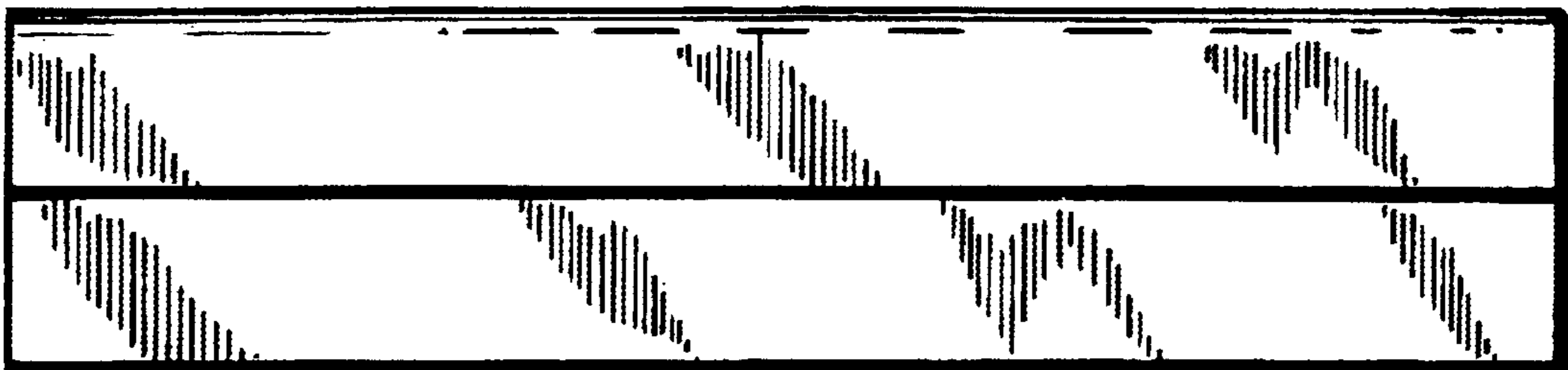


FIG. 7

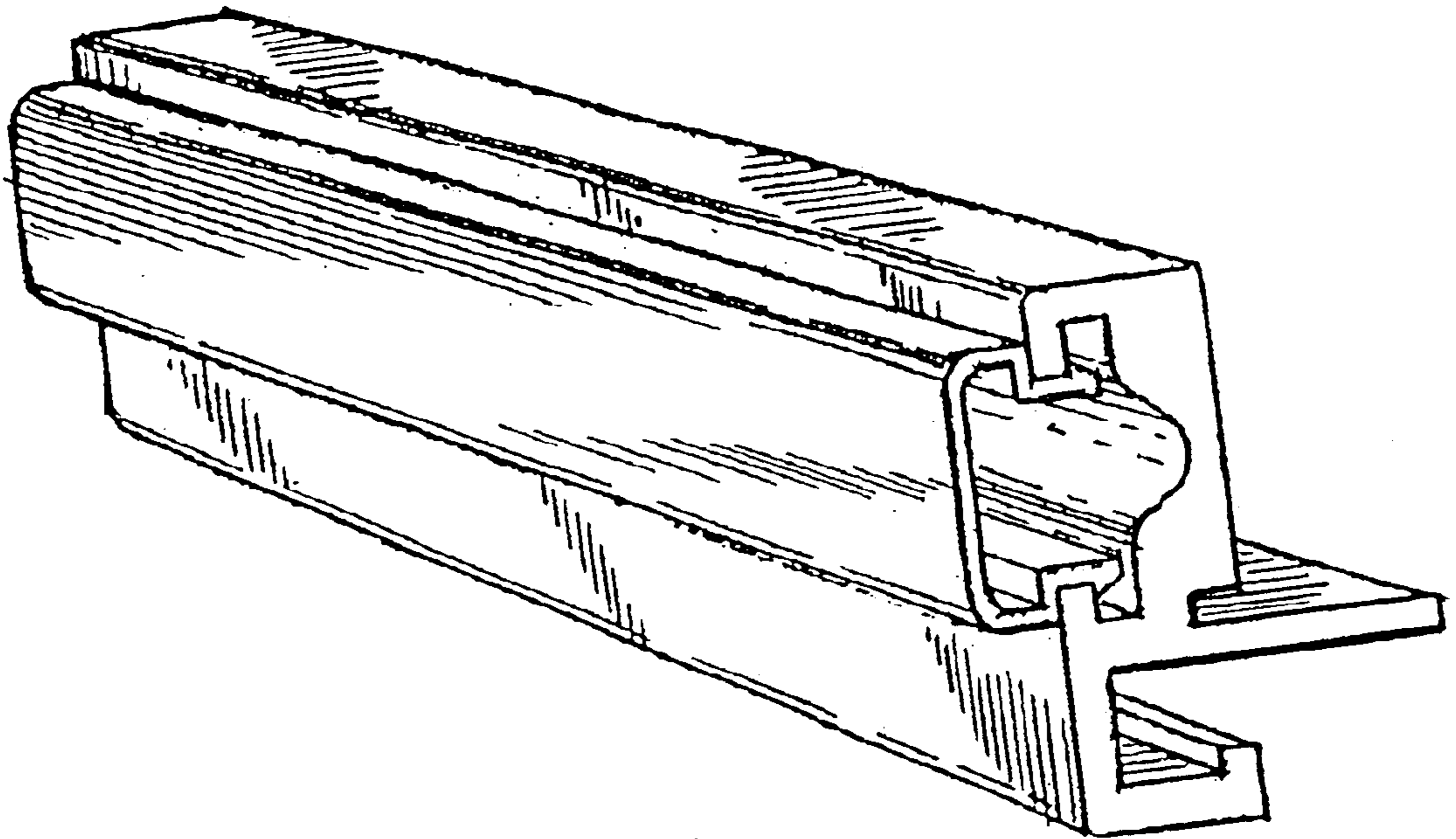


FIG. 8

