



US00D491277S

(12) **United States Design Patent**
Erdelac et al.

(10) **Patent No.:** **US D491,277 S**

(45) **Date of Patent:** **** Jun. 8, 2004**

(54) **FIBERGLASS SWIMMING POOL**

(75) Inventors: **Roger W. Erdelac**, Largo, FL (US);
Joseph A. Fleming, Clearwater, FL (US)

(73) Assignee: **Blue Hawaiian Products, Inc.**, Largo, FL (US)

(**) Term: **14 Years**

(21) Appl. No.: **29/189,030**

(22) Filed: **Aug. 26, 2003**

(51) **LOC (7) Cl.** **25-03**

(52) **U.S. Cl.** **D25/2**

(58) **Field of Search** D25/2, 8; 4/488,
4/506; D24/204; D21/654, 782

(56) **References Cited**

U.S. PATENT DOCUMENTS

4,642,822	A	*	2/1987	Tvengsberg	4/488
5,010,605	A	*	4/1991	Shiina et al.	4/488
D347,697	S	*	6/1994	Weir	D25/2
D430,305	S	*	8/2000	Sullivan	D25/2
D455,838	S	*	4/2002	Erdelac	D25/2

* cited by examiner

Primary Examiner—Doris Clark

(74) *Attorney, Agent, or Firm*—Carlton Fields P.A.

(57) **CLAIM**

The ornamental design for a fiberglass swimming pool, as shown.

DESCRIPTION

FIG. 1 is a perspective view of the fiberglass swimming pool of the present invention;

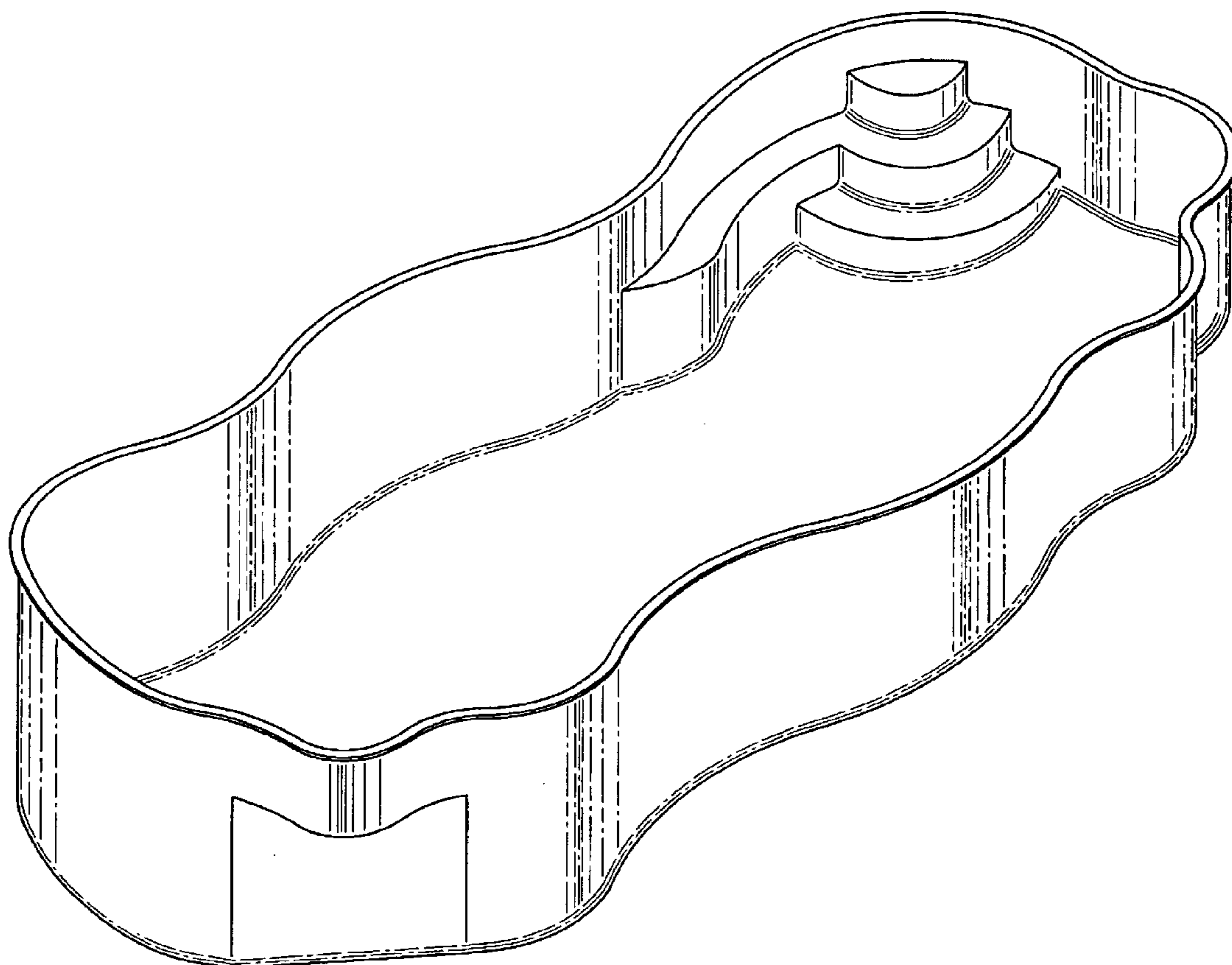
FIG. 2 is a top plan view of the fiberglass swimming pool of the present invention;

FIG. 3 is a cross sectional view of the fiberglass swimming pool of the present invention, taken along lines 3—3 of FIG. 2;

FIG. 4 is a cross sectional view of the fiberglass swimming pool of the present invention, taken along lines 4—4 of FIG. 2; and,

FIG. 5 is a cross sectional view of the fiberglass swimming pool of the present invention, taken along lines 5—5 of FIG. 2.

1 Claim, 4 Drawing Sheets



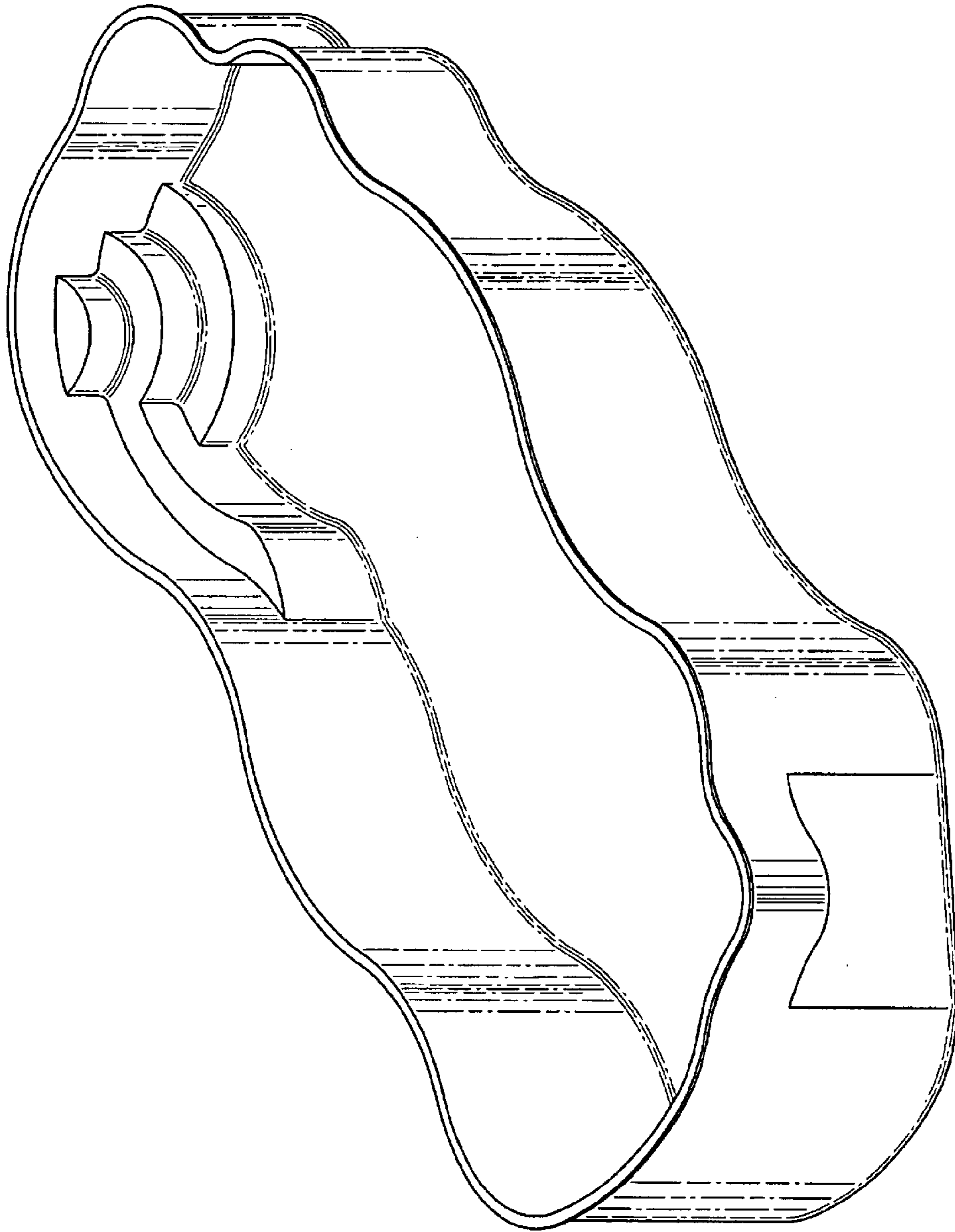


FIG. 1

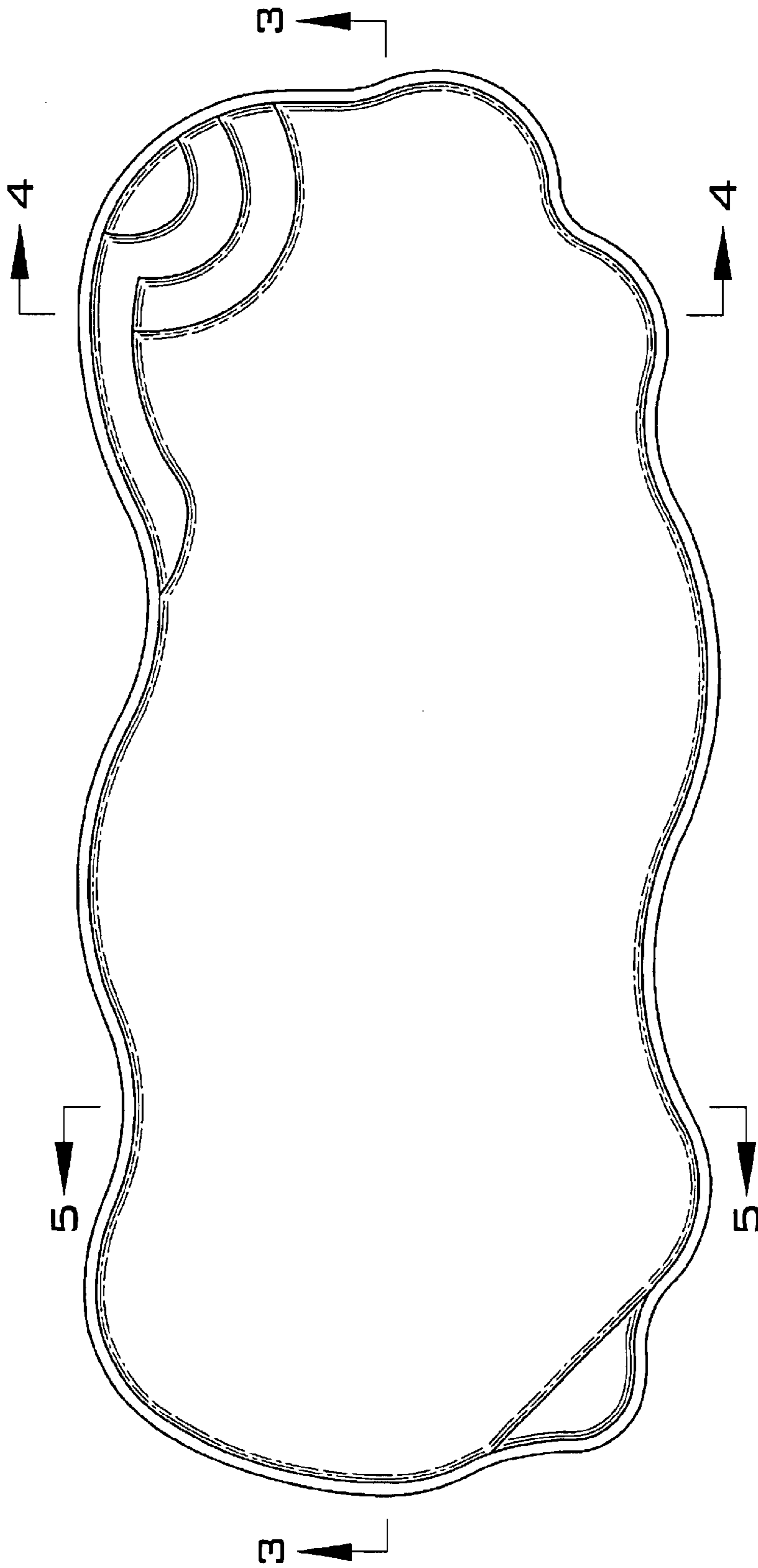


FIG. 2

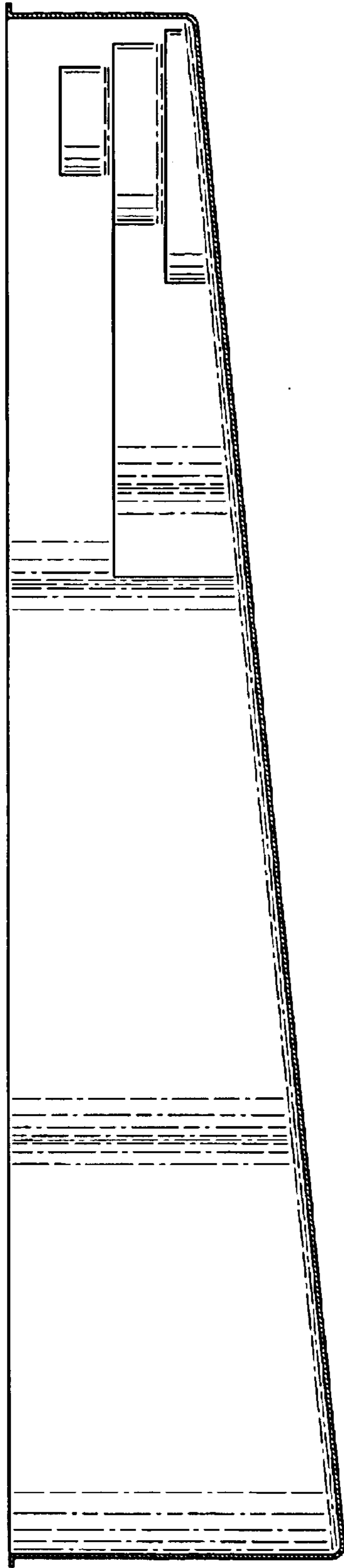


FIG. 3

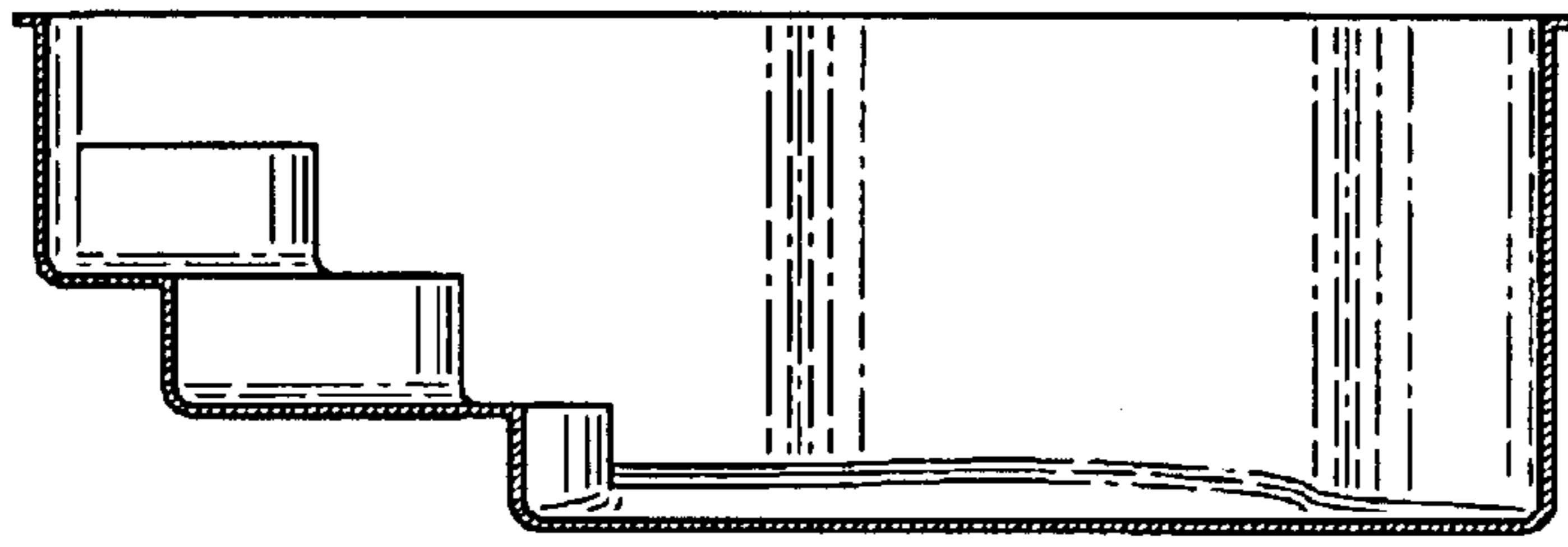


FIG. 4

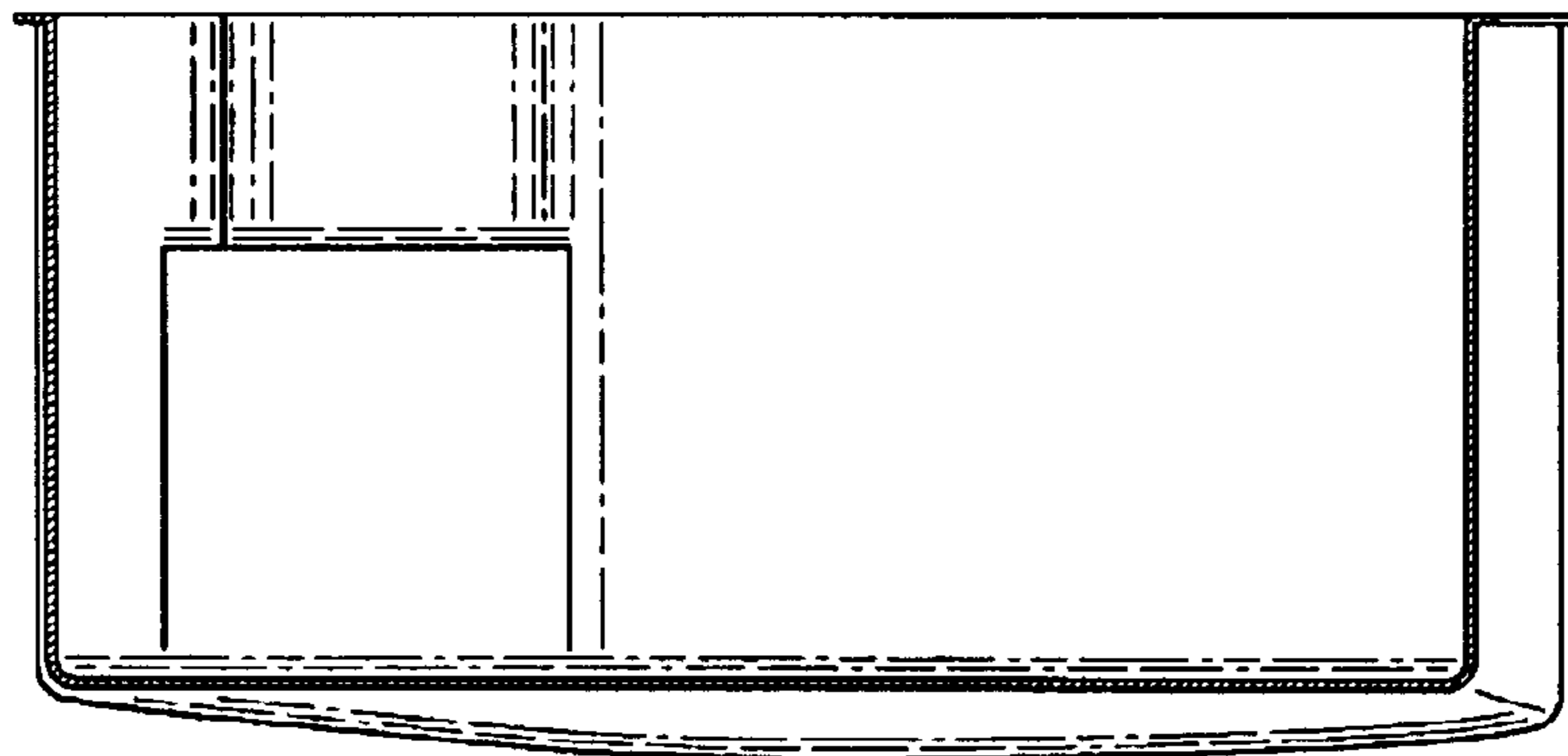


FIG. 5